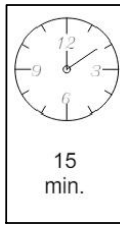
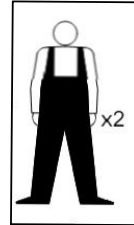
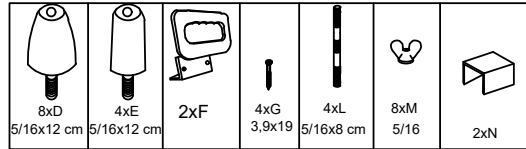
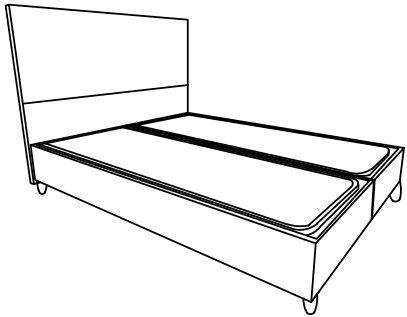
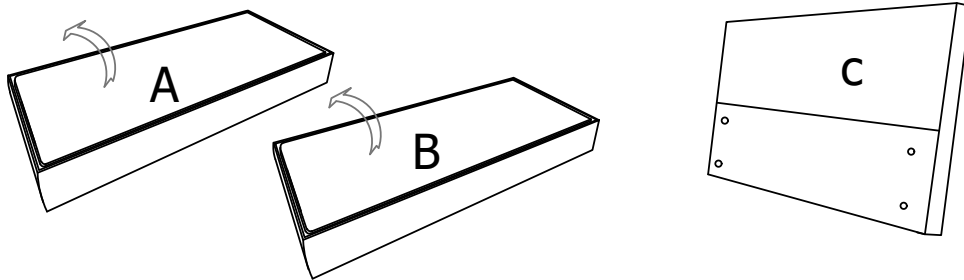


# 424-000010

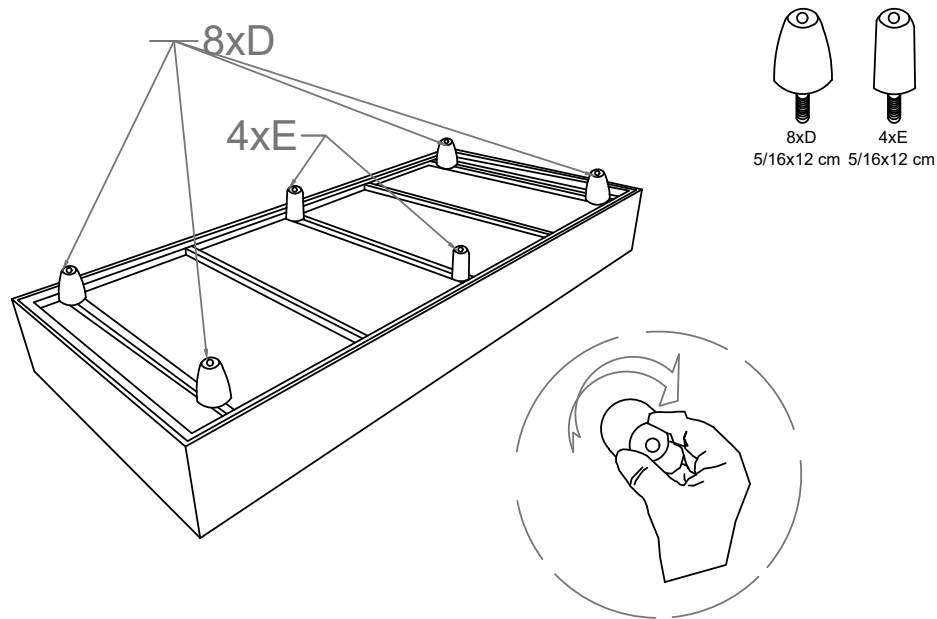
## 160x200 INSTALLATION GUIDE WITH STORAGE BOX



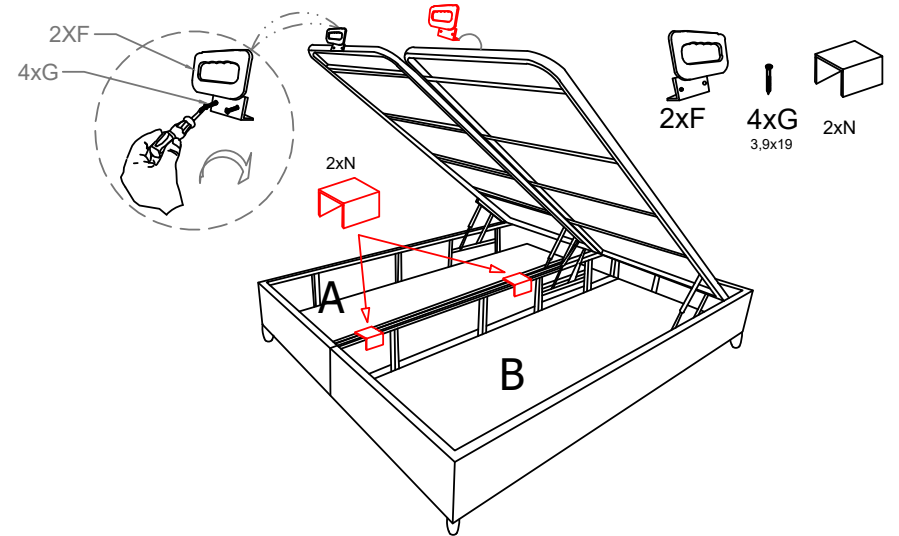
1



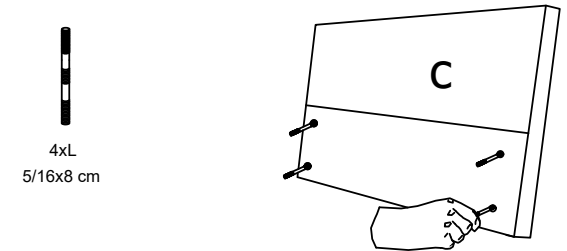
2



3



4



5

