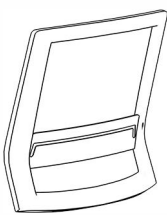
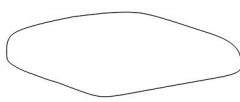
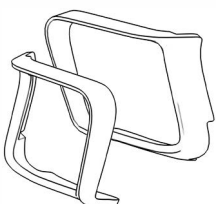
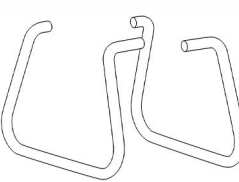

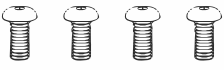
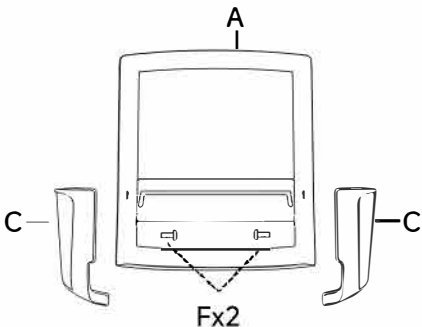
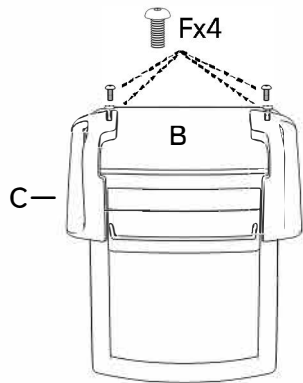
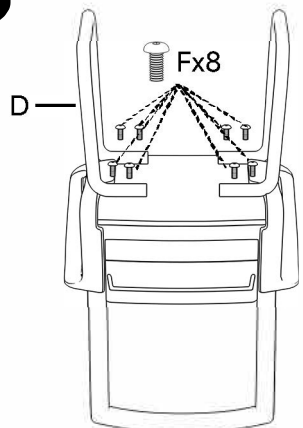
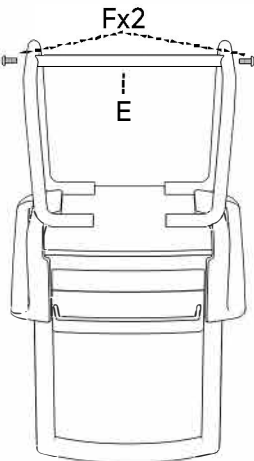


ACCESSORIES LIST

<p>AX1</p> 	<p>BX1</p> 	<p>CX2</p> 
<p>DX2</p> 	<p>EX1</p> 	<p>FX16</p> 

INSTALLATION STEPS

<p>1</p> 	<p>2</p> 	<p>3</p> 
<p>4</p> 	<p>5</p> 