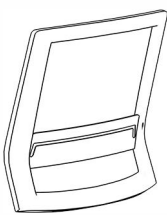
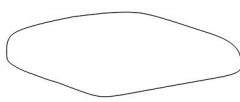
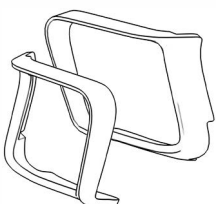
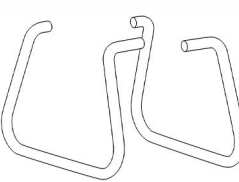

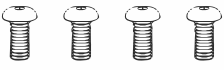
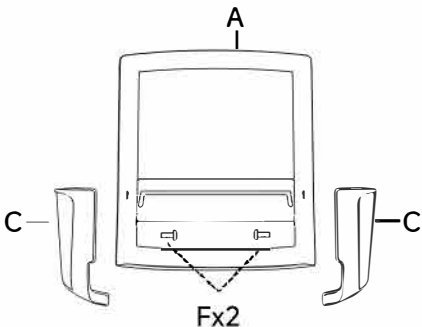
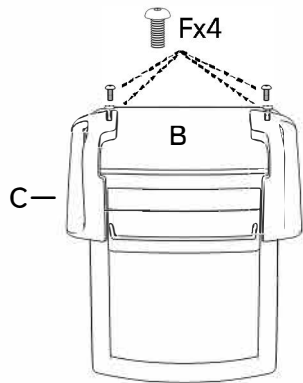
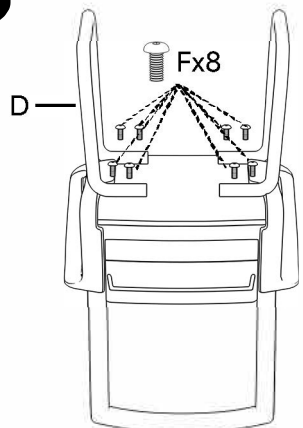
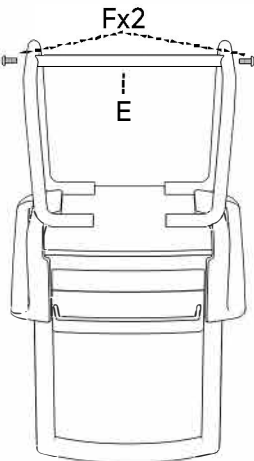
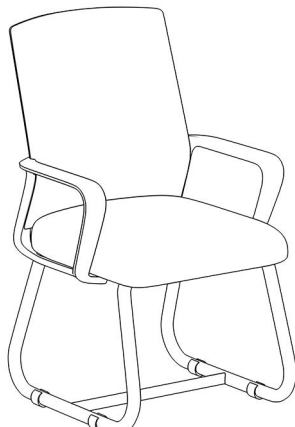


ACCESSORIES LIST

| | | |
|-----------------------------------------------------------------------------------------------------|------------------------------------------------------------------------------------------------------|--------------------------------------------------------------------------------------------------------|
| <p>AX1</p>  | <p>BX1</p>  | <p>CX2</p>  |
| <p>DX2</p>  | <p>EX1</p>  | <p>FX16</p>  |

INSTALLATION STEPS

| | | |
|-----------------------------------------------------------------------------------------------------|-----------------------------------------------------------------------------------------------------|-------------------------------------------------------------------------------------------------------|
| <p>1</p>  | <p>2</p>  | <p>3</p>  |
| <p>4</p>  | <p>5</p>  | |