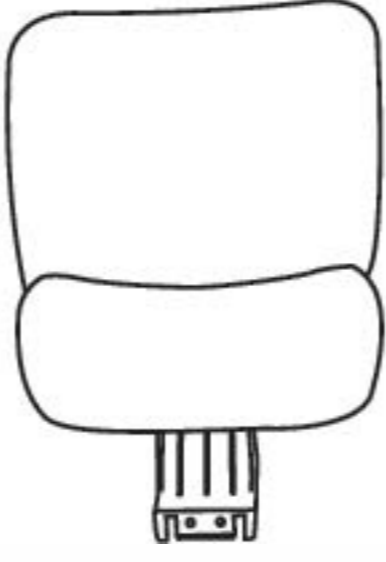



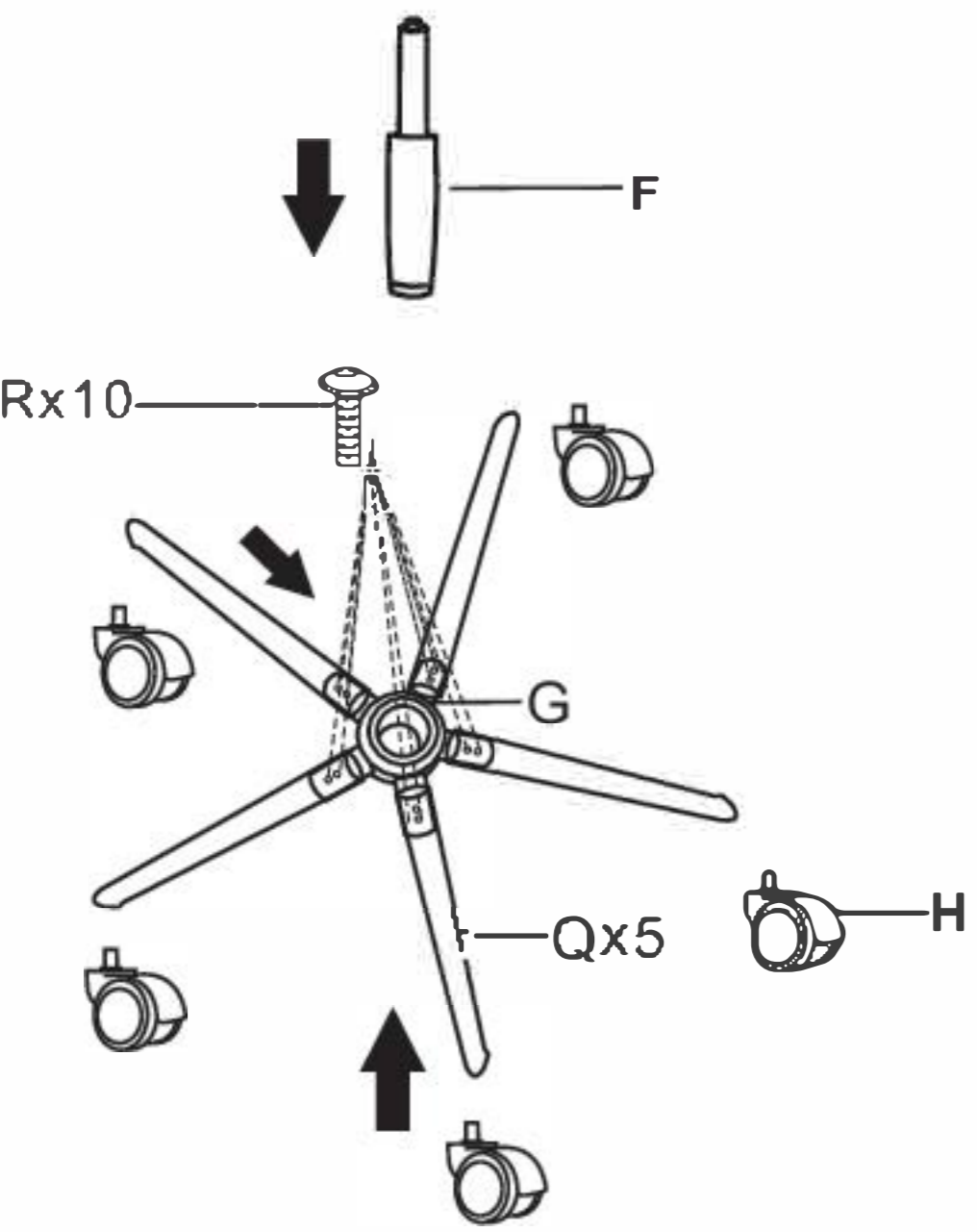
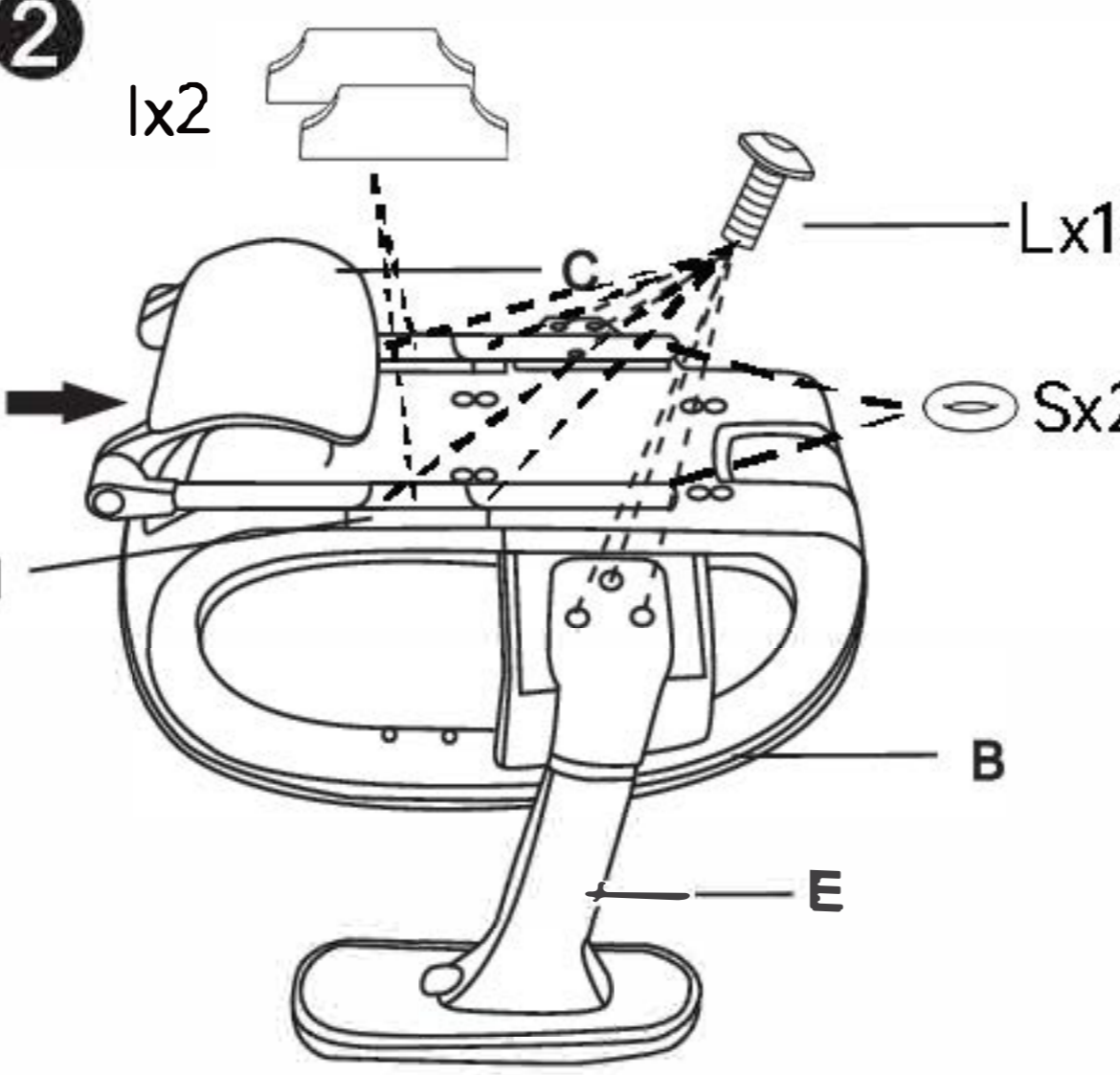
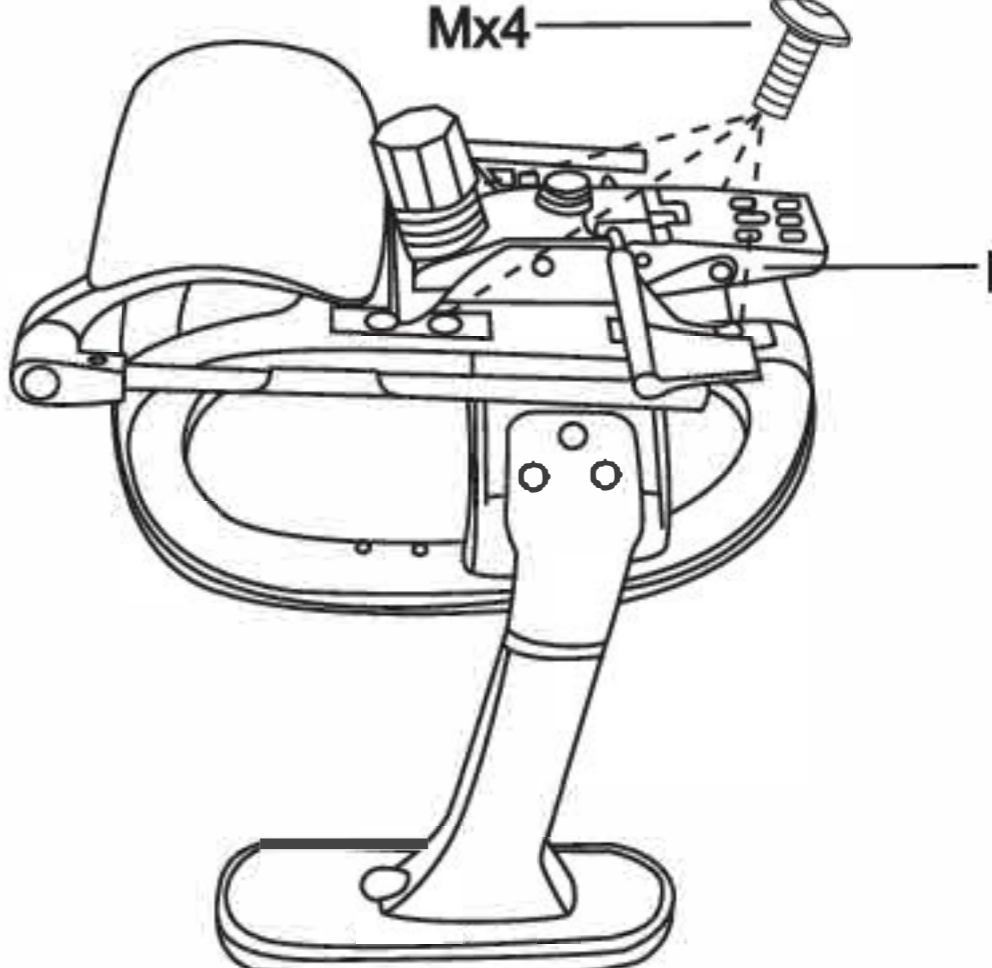
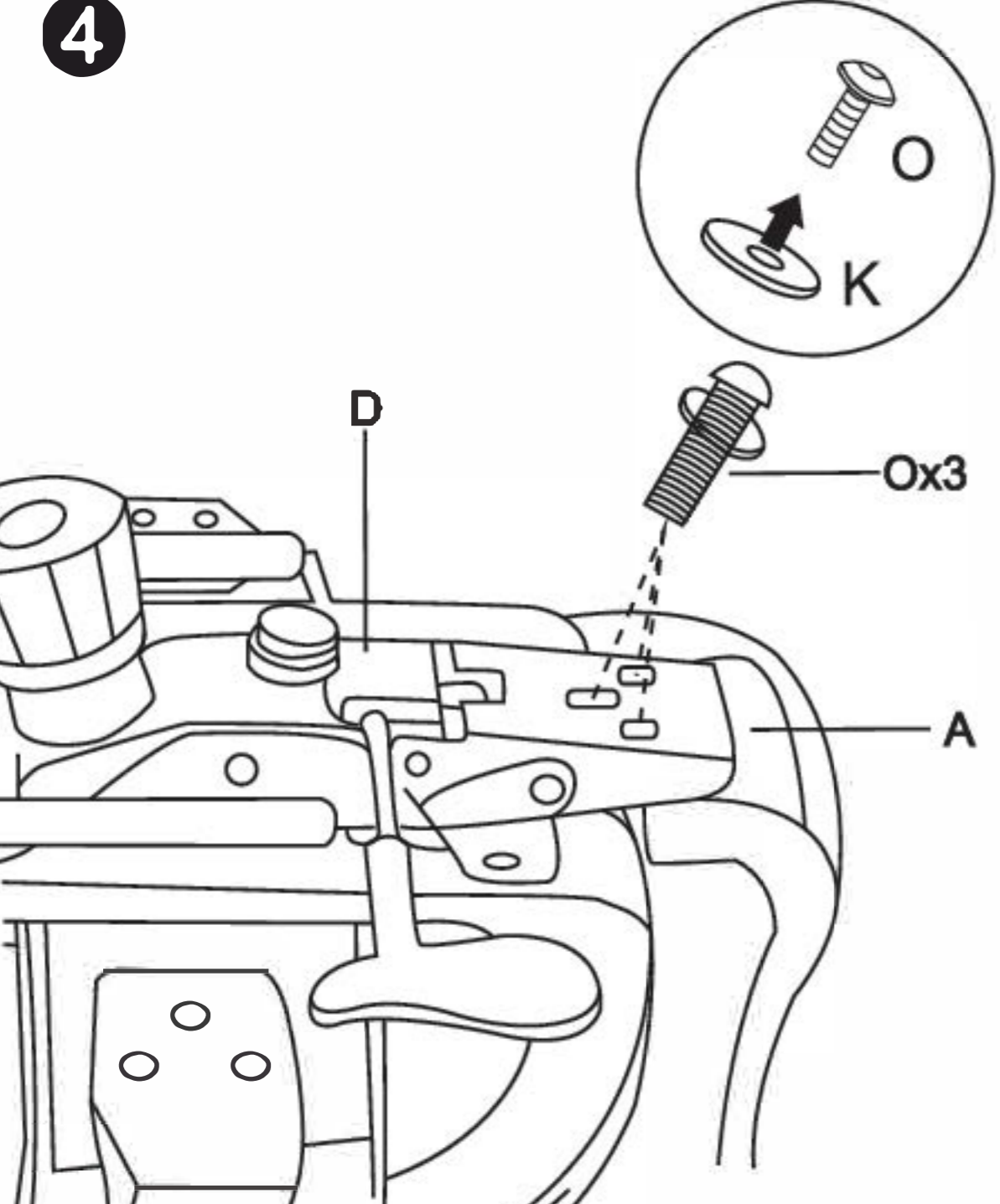
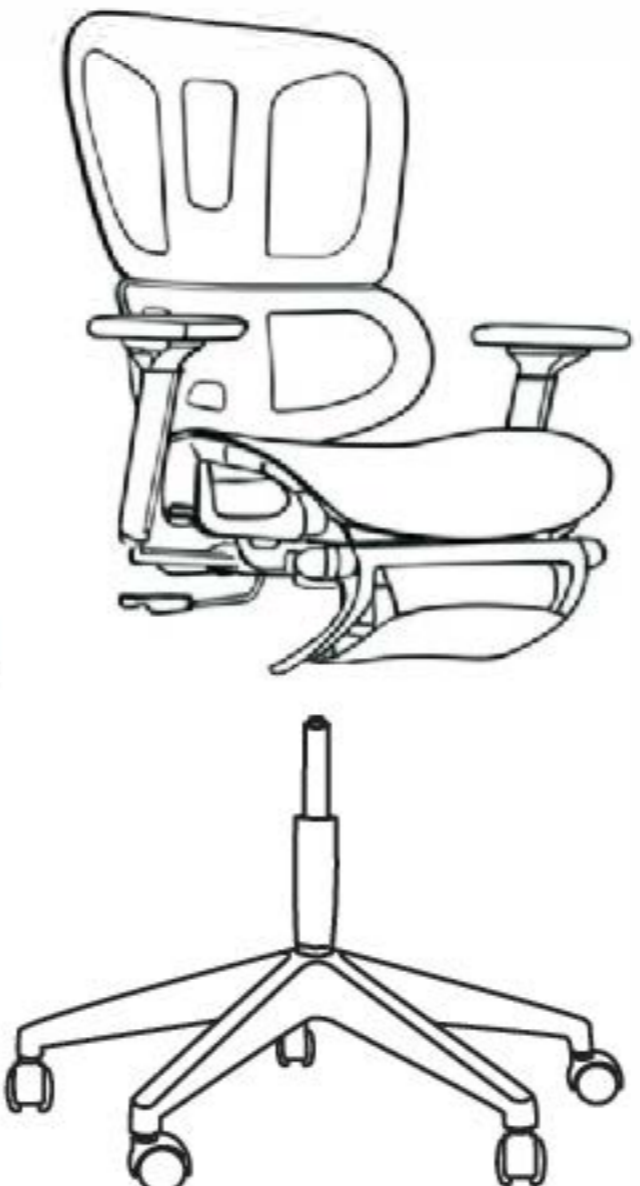




ACCESSORIES LIST			
A X1 	B X1 C X1 	D X1 	E X2 
F X1 	H X5 	I X2 G X1 	J X1 Q X5 
<p> Kx3 M8*17MM Mx4 M8*16MM Nx2 M6*20MM Lx10 M6*30MM Ox3 M8*20MM Px1 Sx2 Rx10 M6*16MM </p> 			

INSTALLATION STEPS

<p>1</p> 	<p>2</p> 	<p>3</p> 
<p>4</p> 	<p>5</p> 	<p>6</p> 