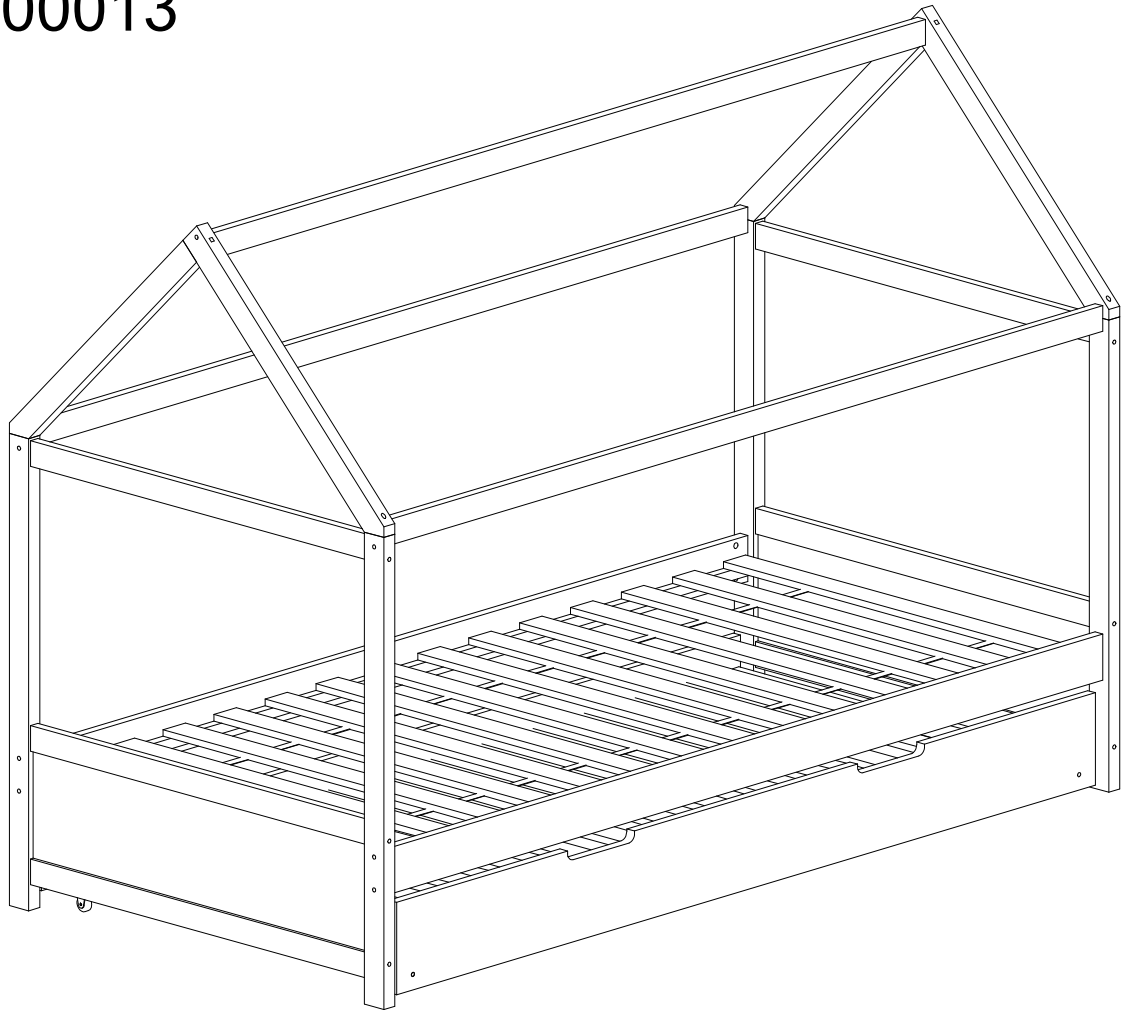






412-000013

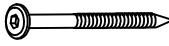


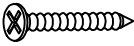
A	 M6*70	x12
---	--	-----


B		x16
---	---	-----


C	 Ø8*30	x36
---	--	-----


D	 Ø6*70	x6
---	--	----


E	 Ø6*90	x10
---	--	-----


F	 Ø4*30	x56
---	--	-----


G	 M6*90	x4
---	--	----

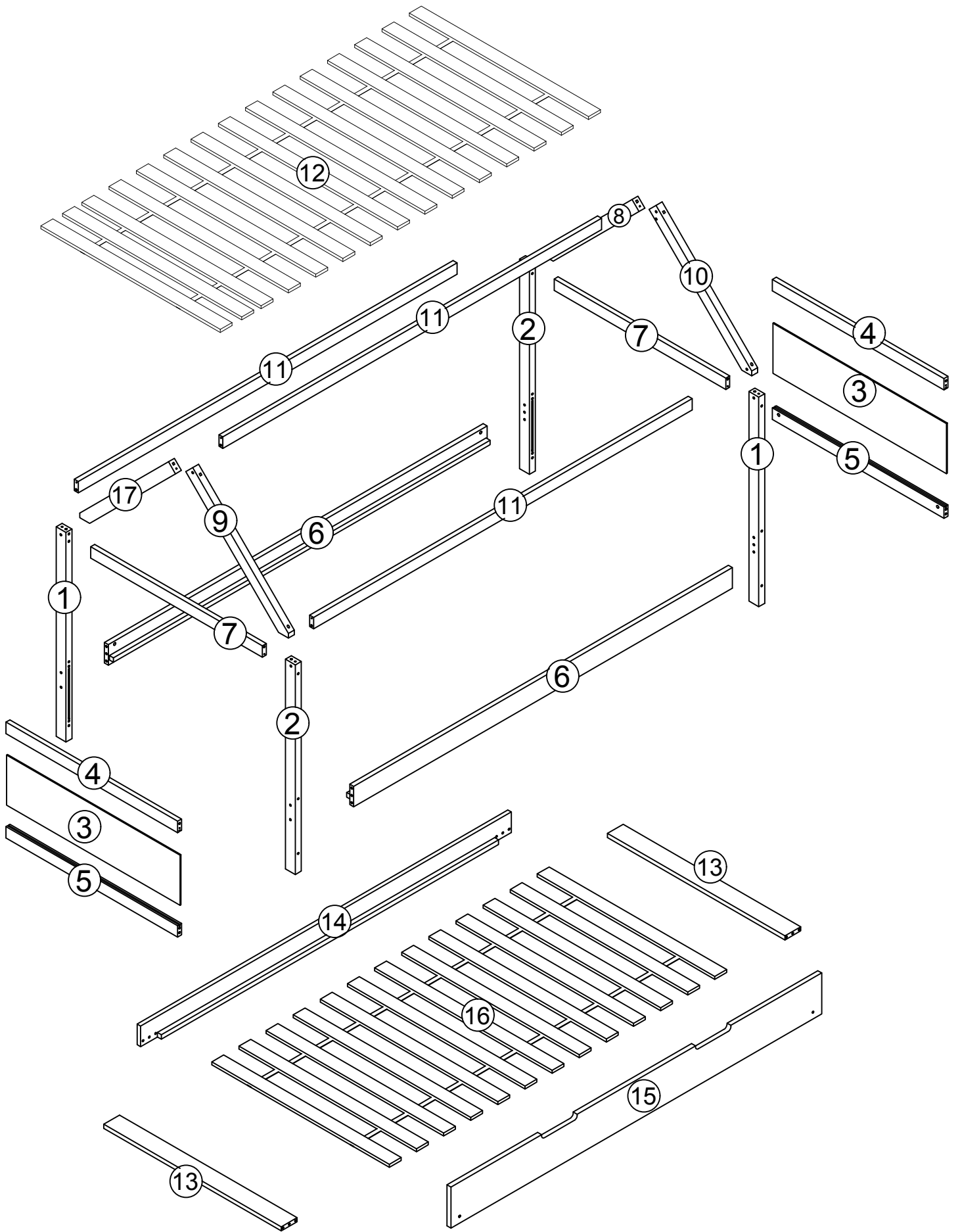
H		x4
---	---	----

J	 Ø3.5*16	x8
---	--	----






K		x4
---	---	----

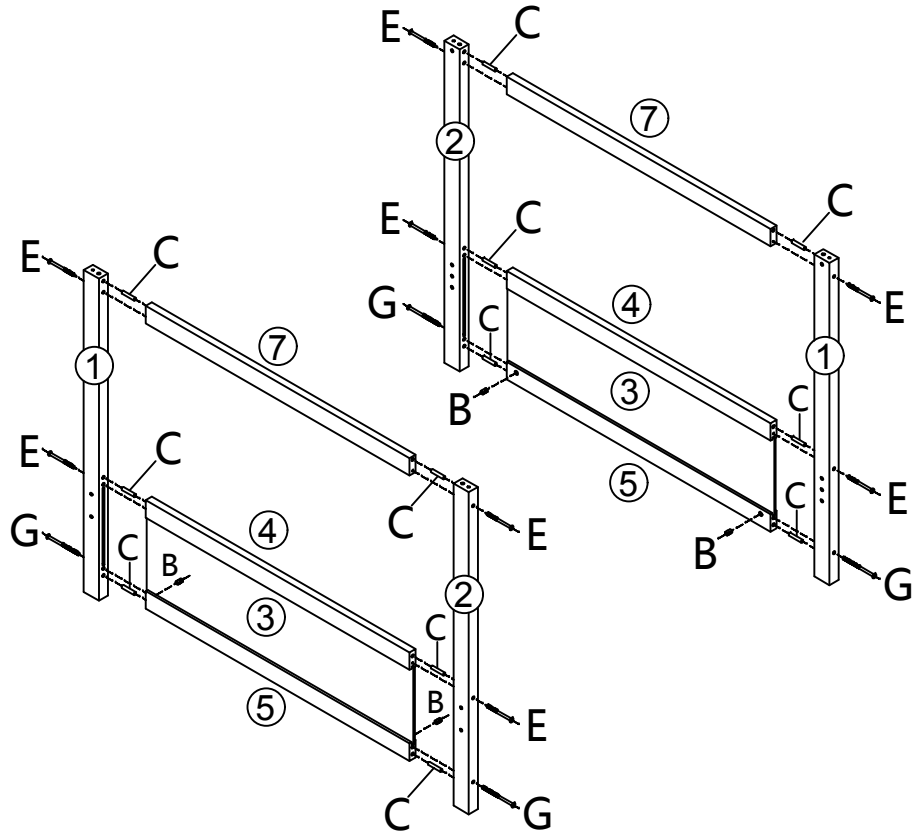
L	 Ø6*60	x4
---	--	----

M		x1
---	---	----







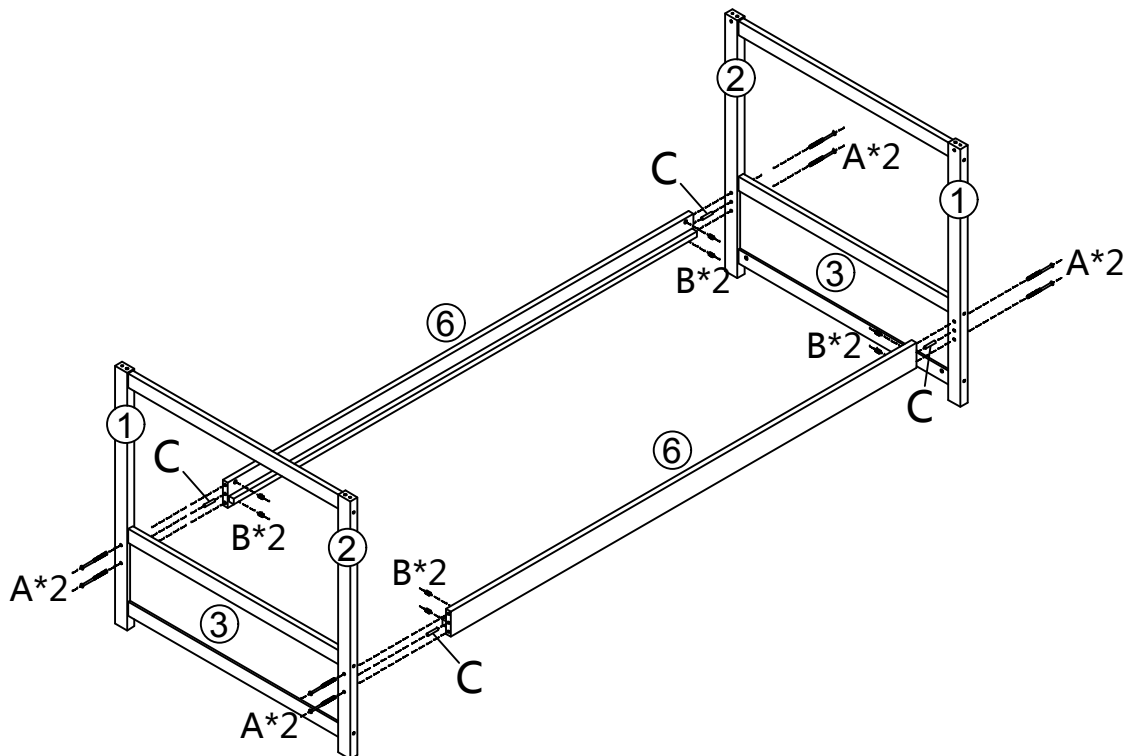
1

<p>E x 8</p>  <p>Ø6*90</p>	<p>B x 4</p> 	<p>C x 12</p>  <p>Ø8*30</p>	<p>G x 4</p>  <p>M6*90</p>	
---	--	---	---	---

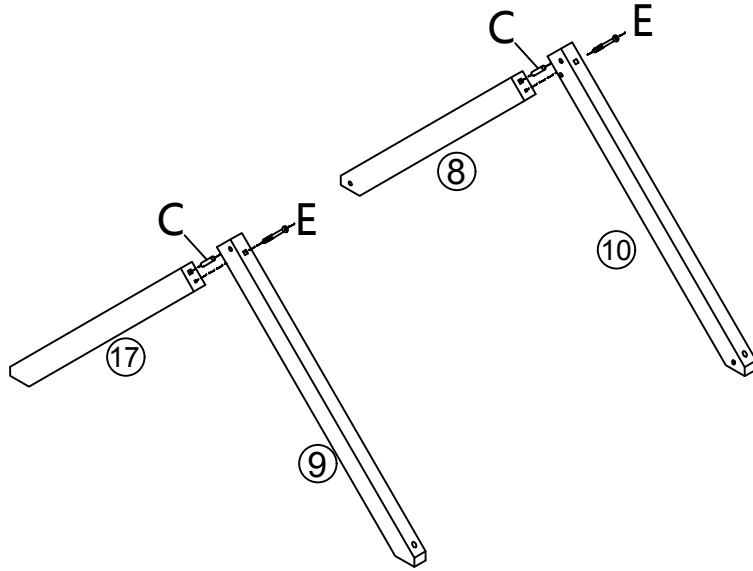
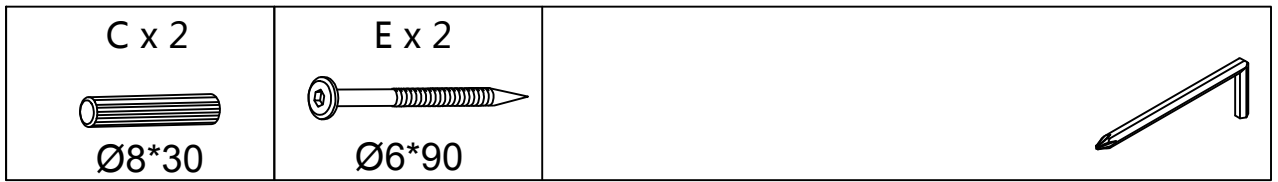


2

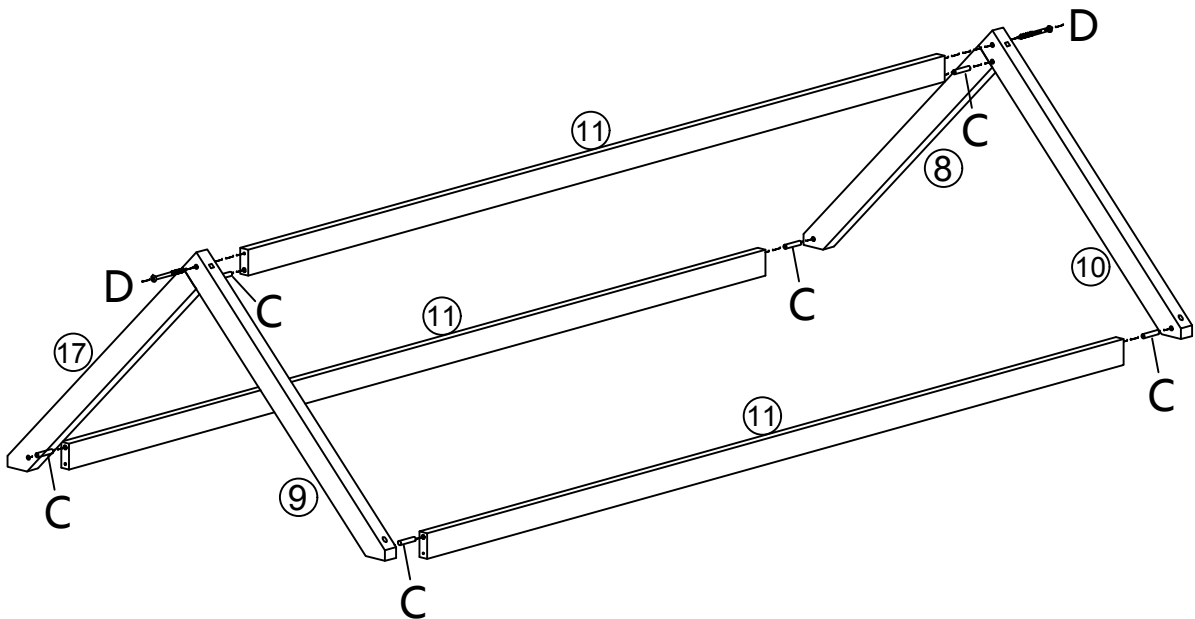
<p>B x 8</p> 	<p>C x 4</p>  <p>Ø8*30</p>	<p>A x 8</p>  <p>M6*70</p>	
--	---	--	---






3

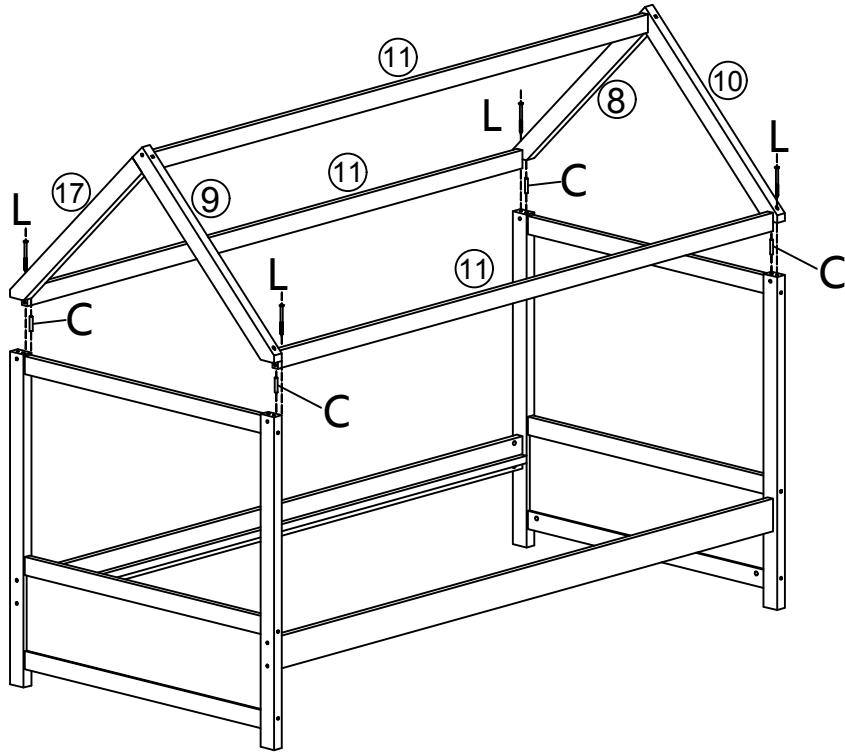


4



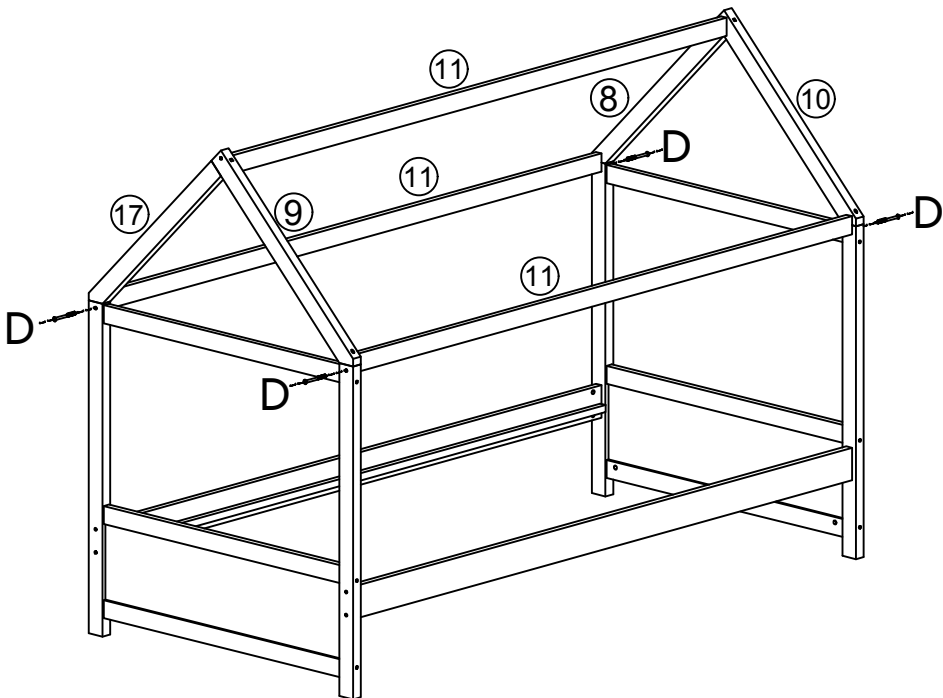
5

<p>L x 4</p>  <p>Ø6*60</p>	<p>C x 4</p>  <p>Ø8*30</p>	
---	---	---

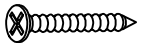
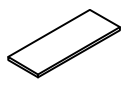



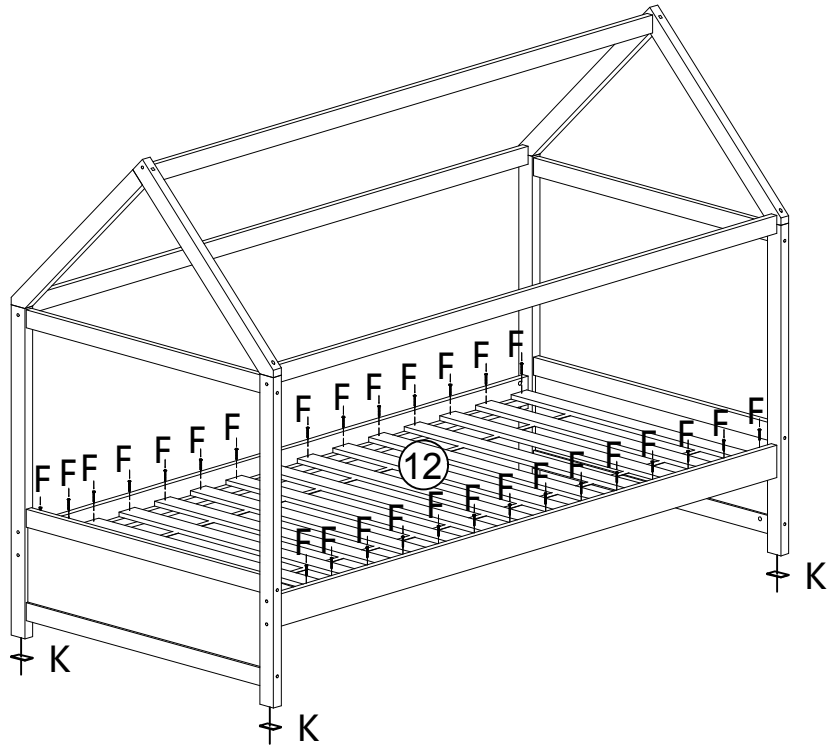
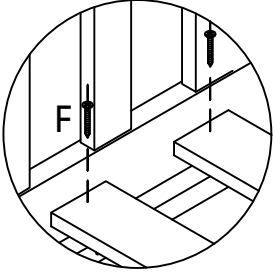
6

<p>D x 4</p>  <p>Ø6*70</p>	
---	---





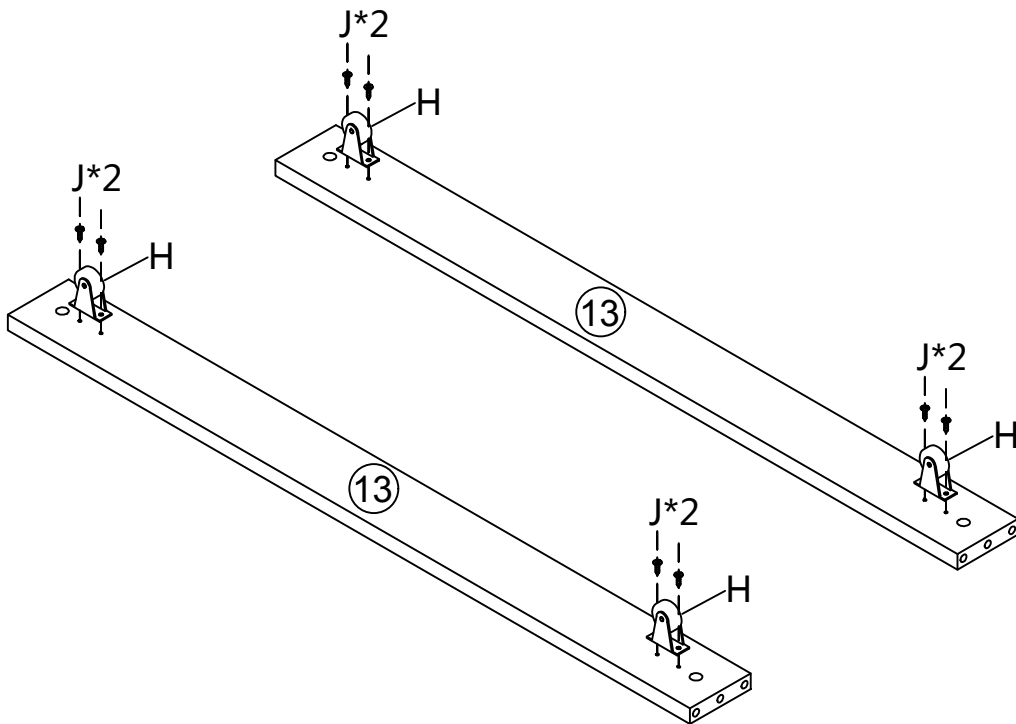
7

<p>F x 30</p>  <p>Ø4*30</p>	<p>K x 4</p> 	
--	--	---







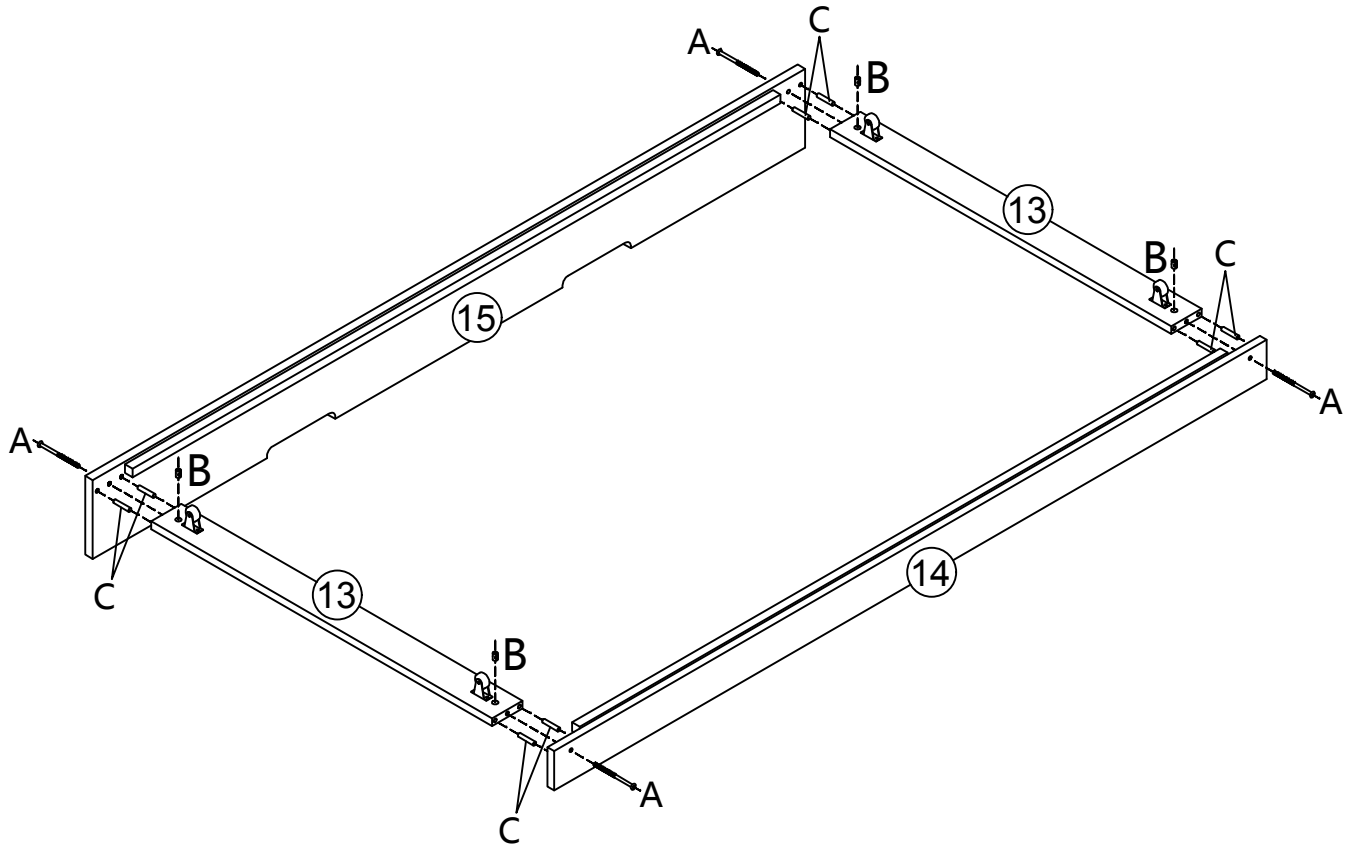
8

<p>H x 4</p> 	<p>J x 8</p>  <p>Ø3.5*16</p>	
--	---	---

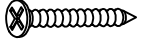



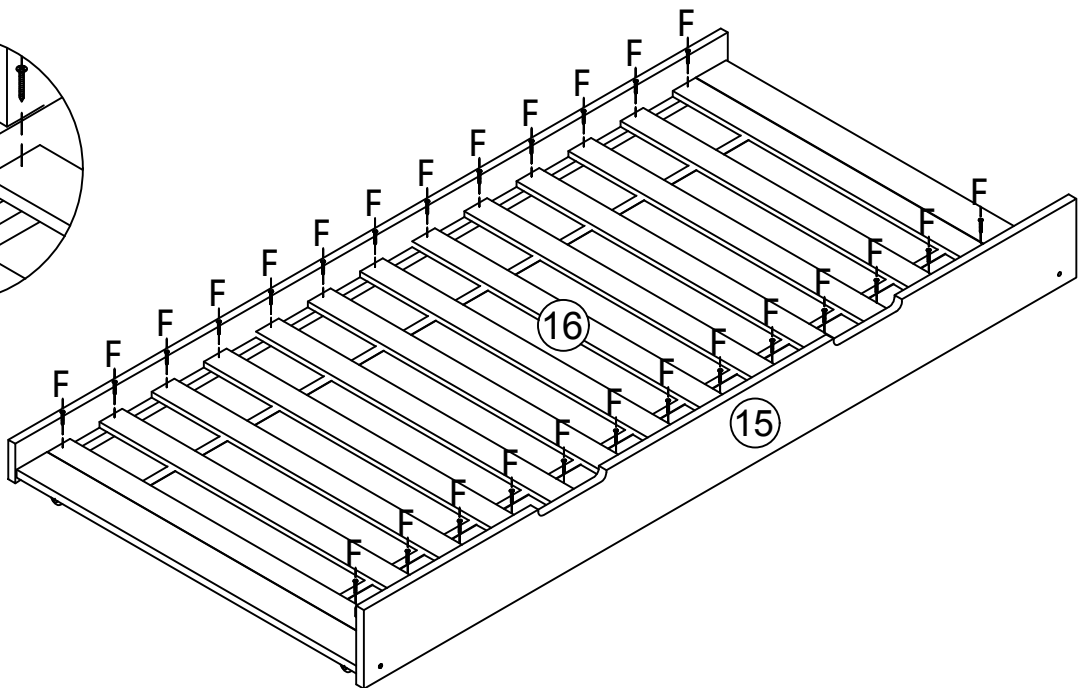
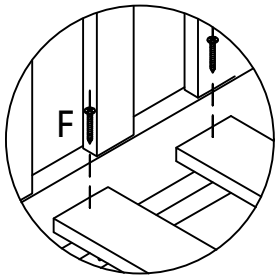
9

<p>B x 4</p> 	<p>C x 8</p>  <p>Ø8*30</p>	<p>A x 4</p>  <p>M6*70</p>	
--	---	--	---

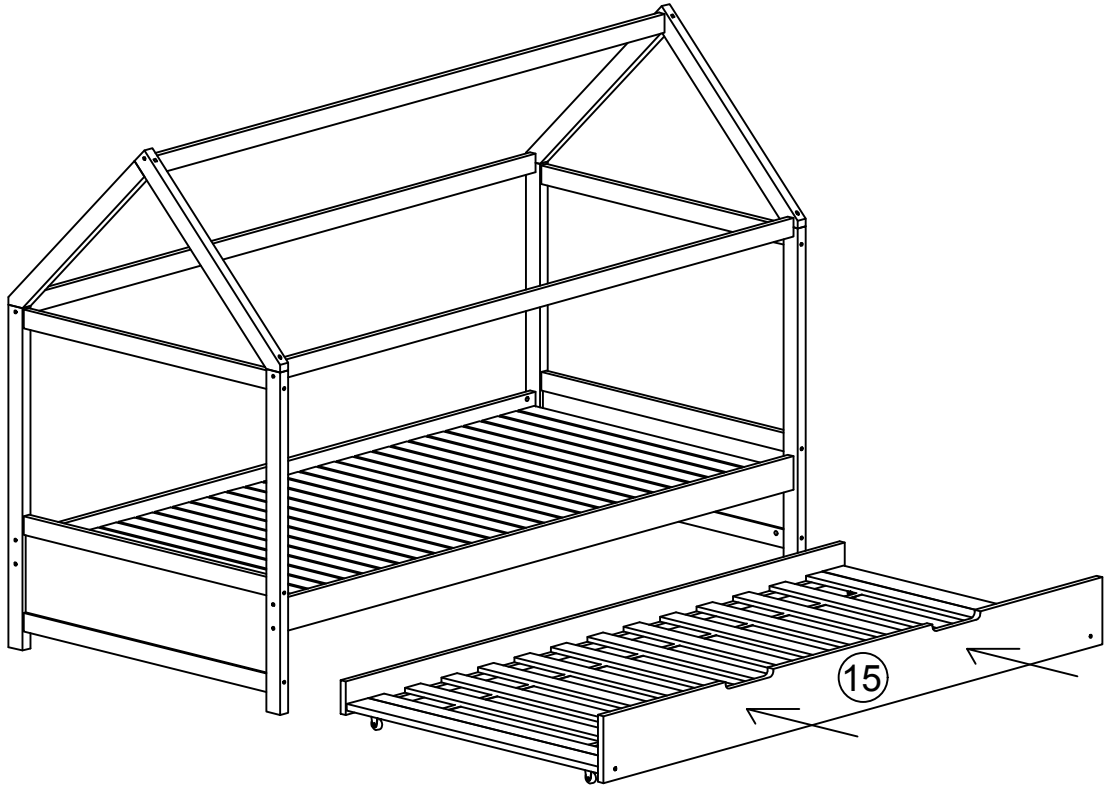


10

<p>F x 26</p>  <p>Ø4*30</p>	
--	---



11



12

