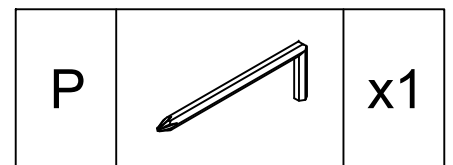
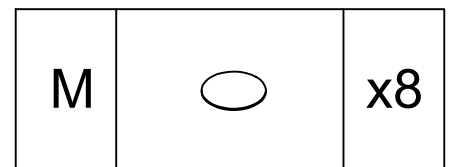
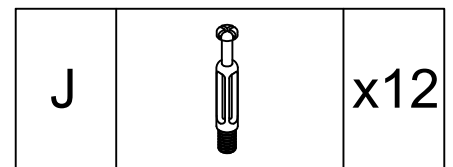
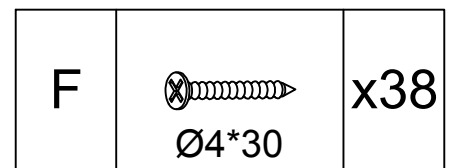
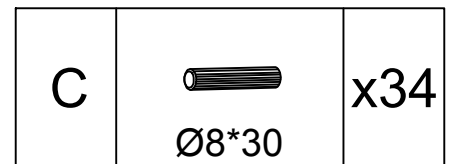
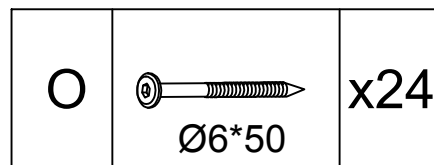
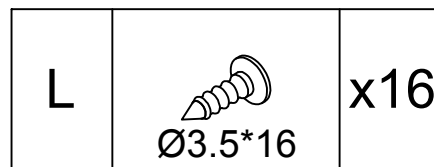
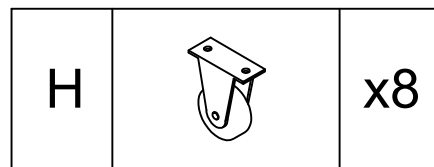
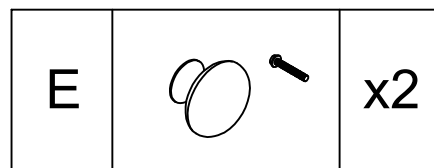
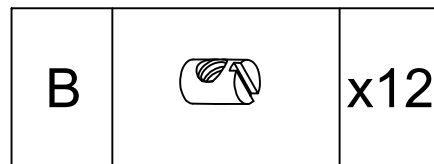
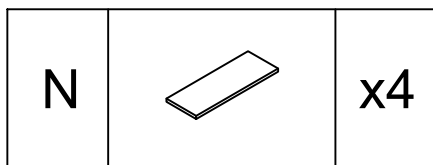
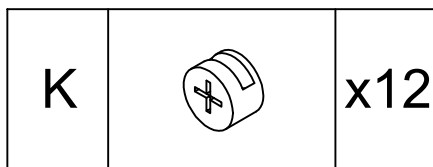
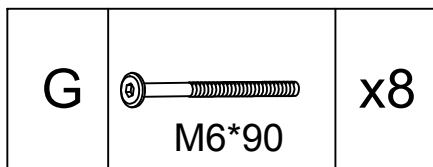
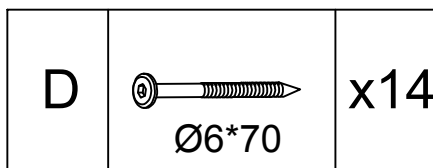
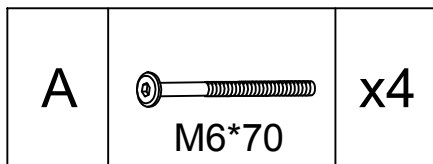
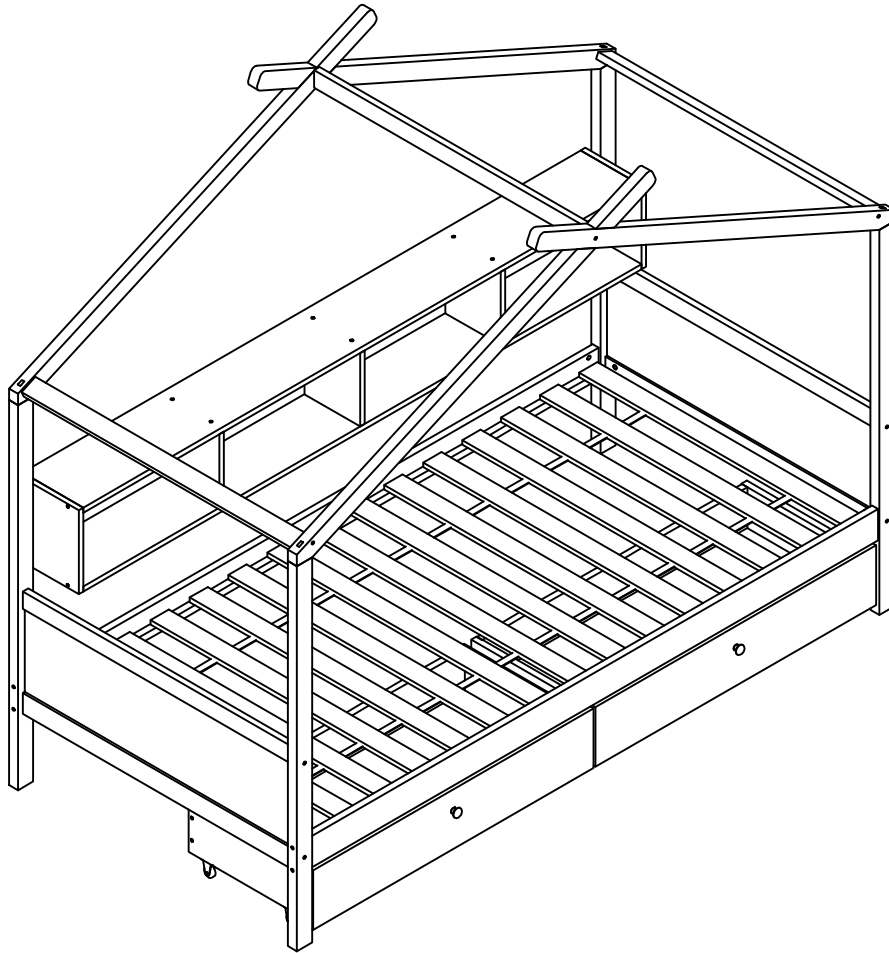
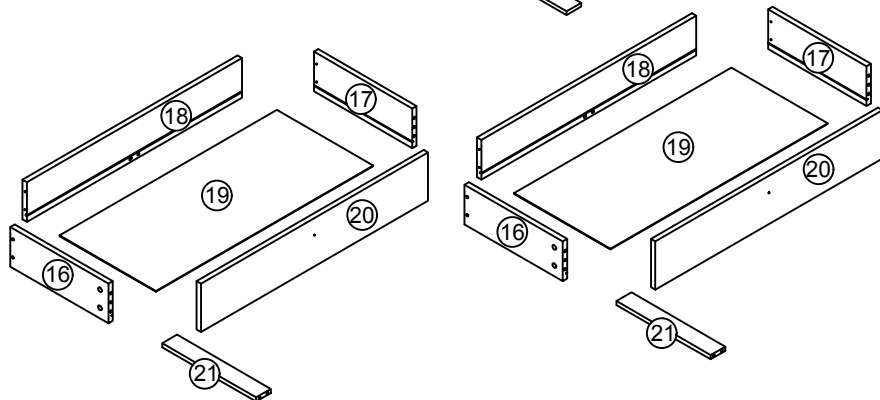
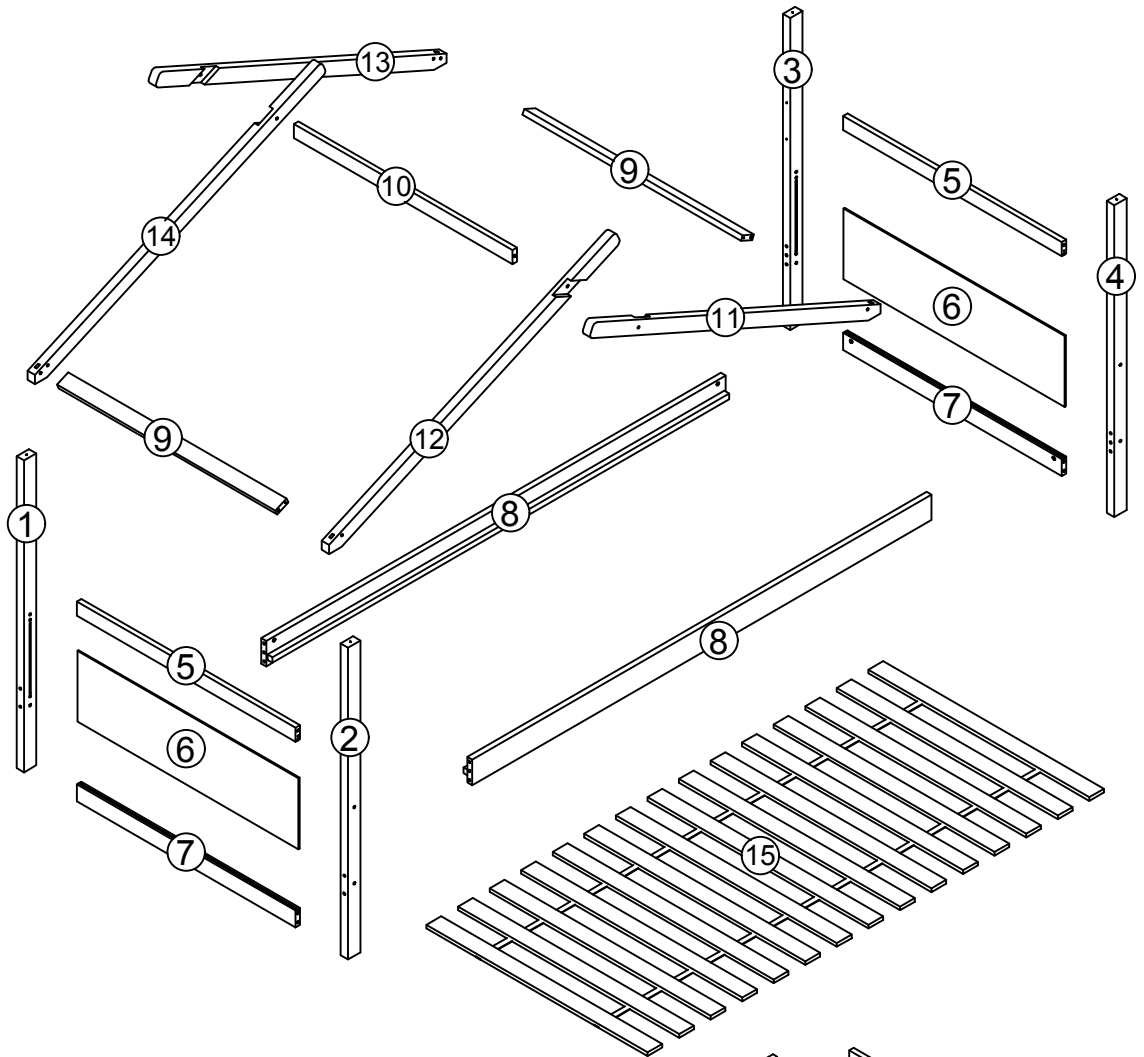
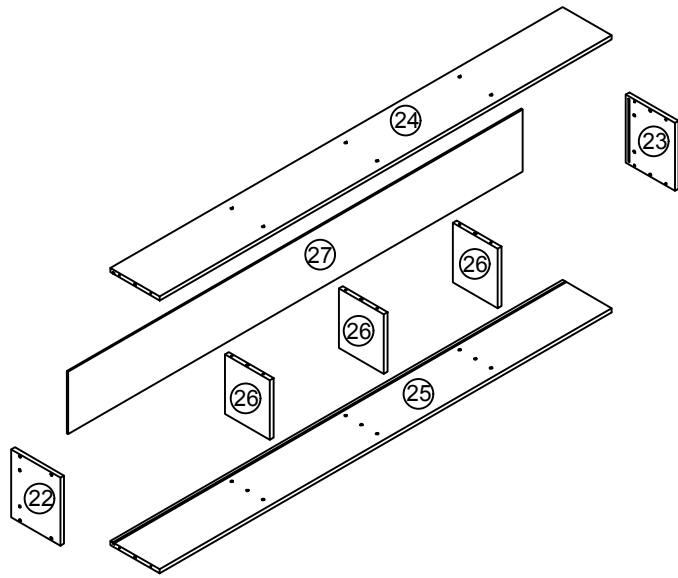







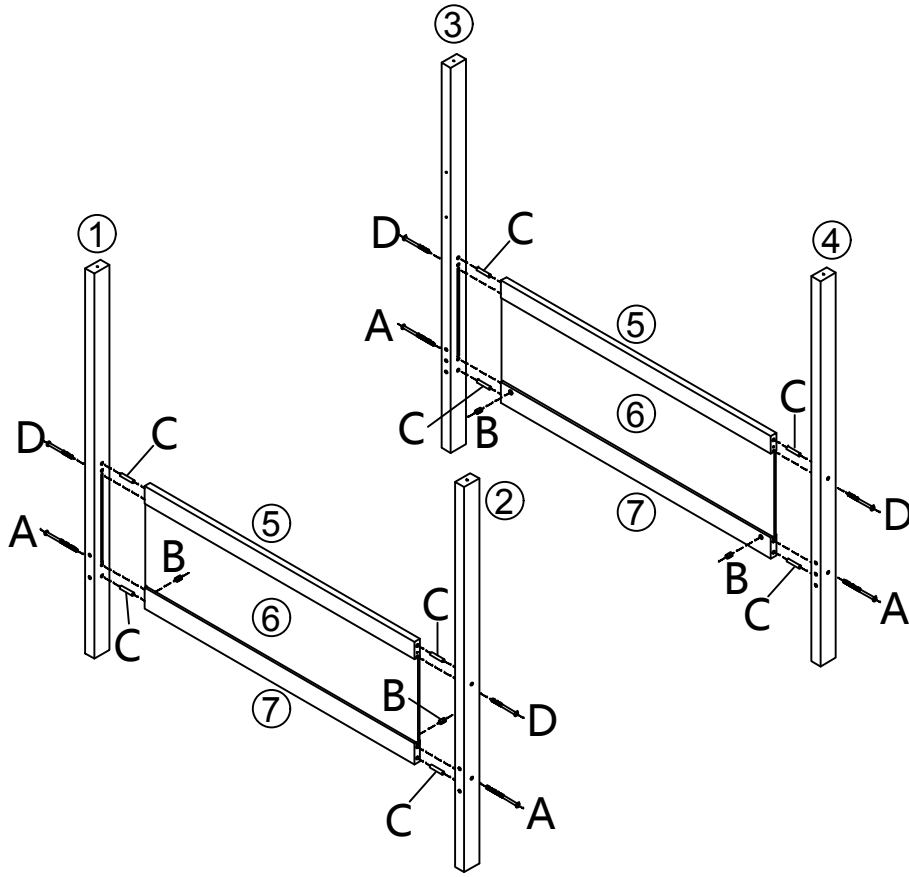
412-000012









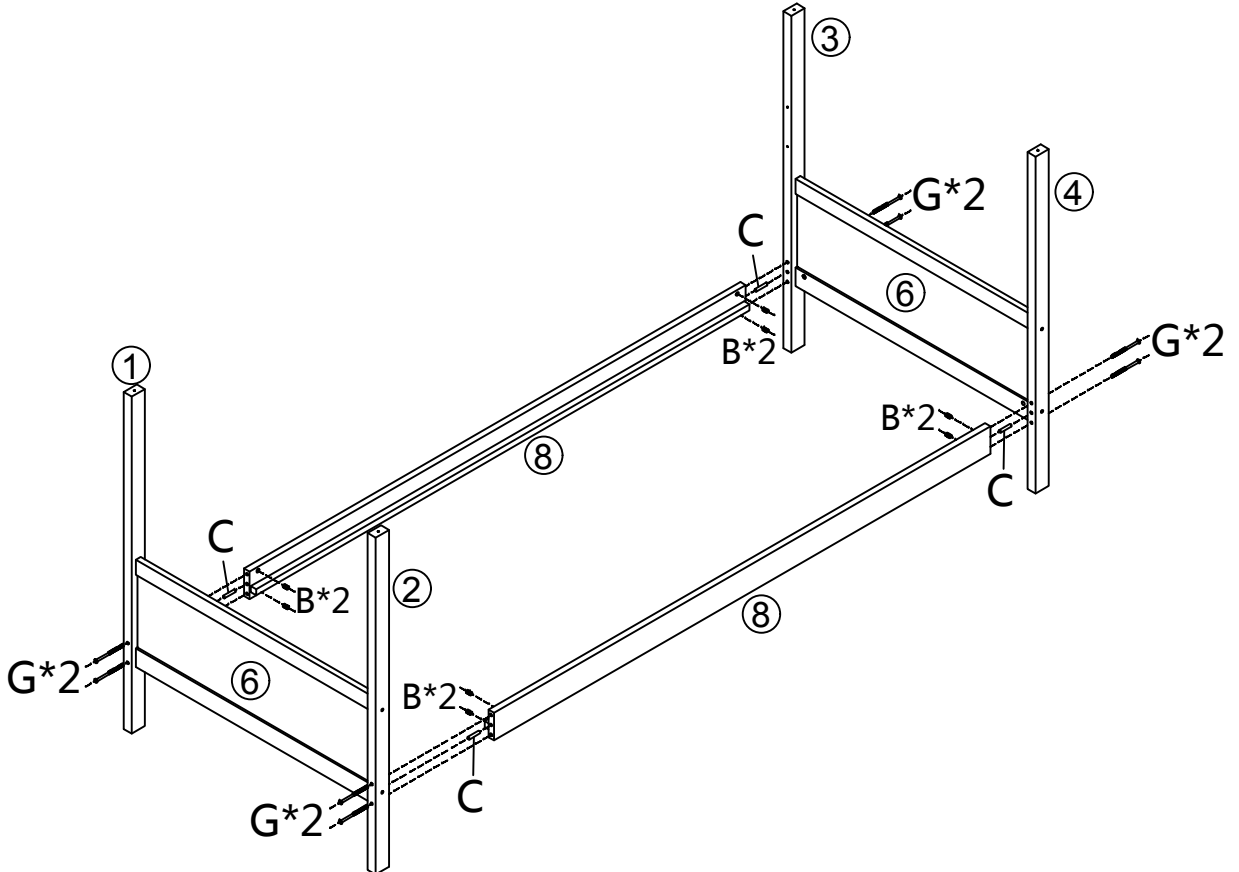
1

D x 4  Ø6*70	B x 4 	C x 8  Ø8*30	A x 4  M6*70	
---	--	--	---	---

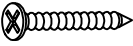



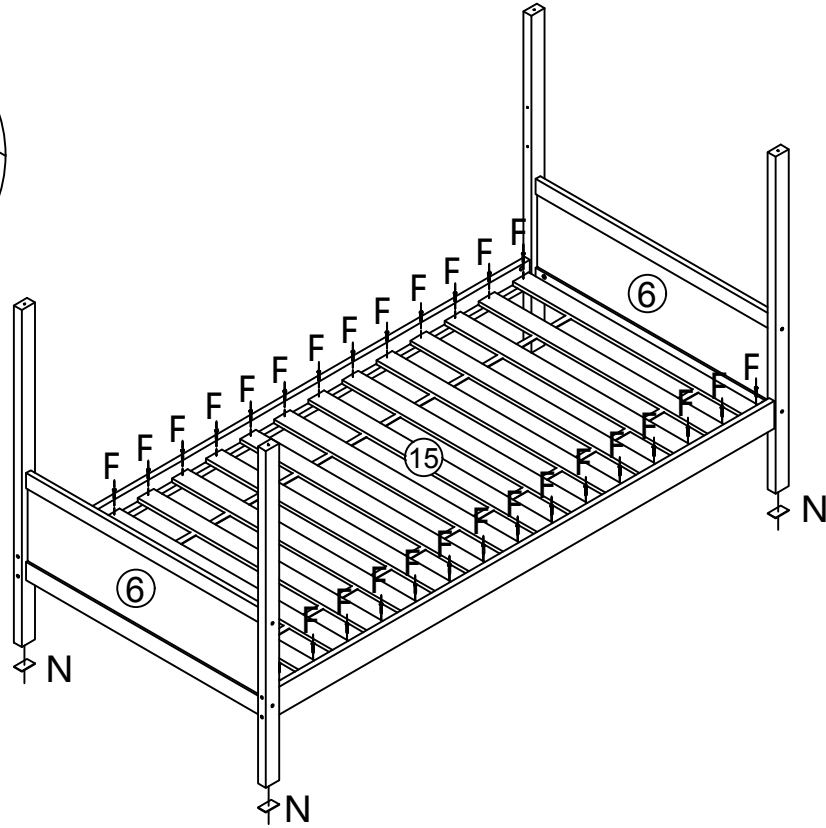
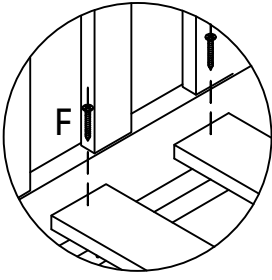
2

B x 8 	C x 4  Ø8*30	G x 8  M6*90	
--	---	--	---




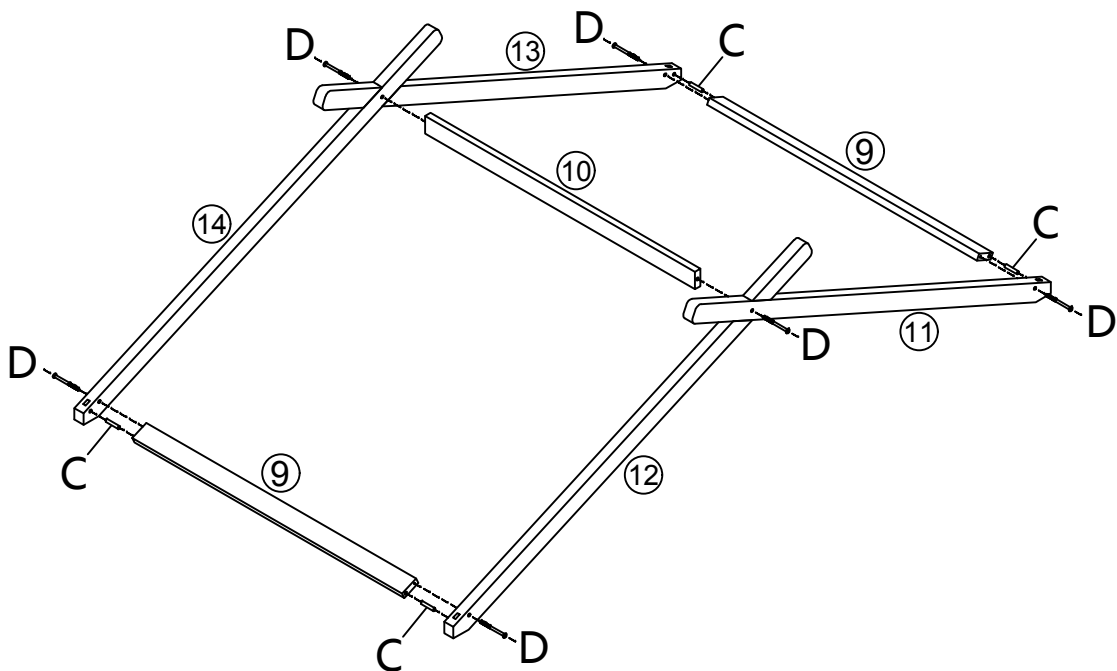
3

F x 30  Ø4*30	N x 4 	
--	--	--





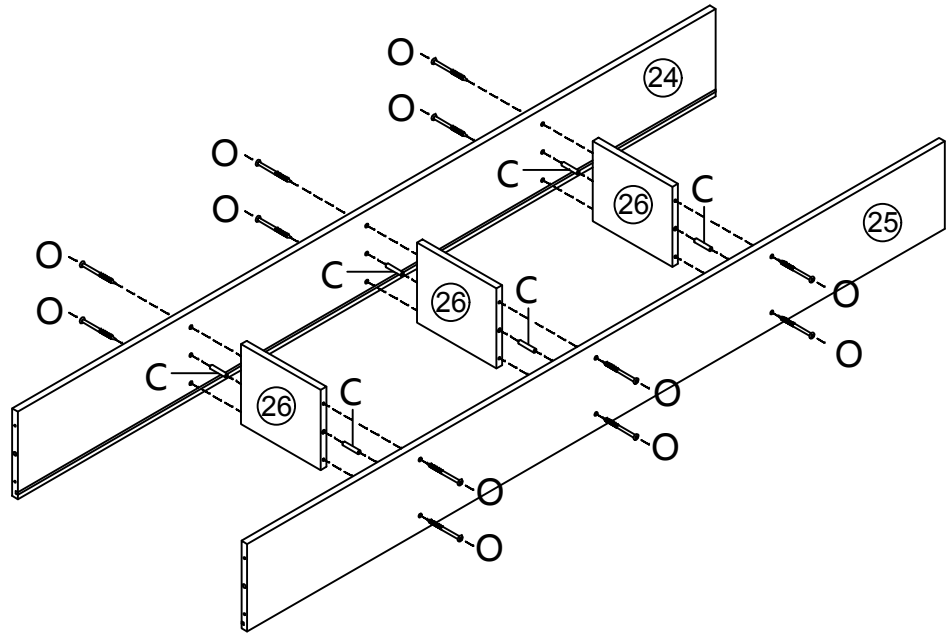
4

D x 6  Ø6*70	C x 4  Ø8*30	
---	---	--

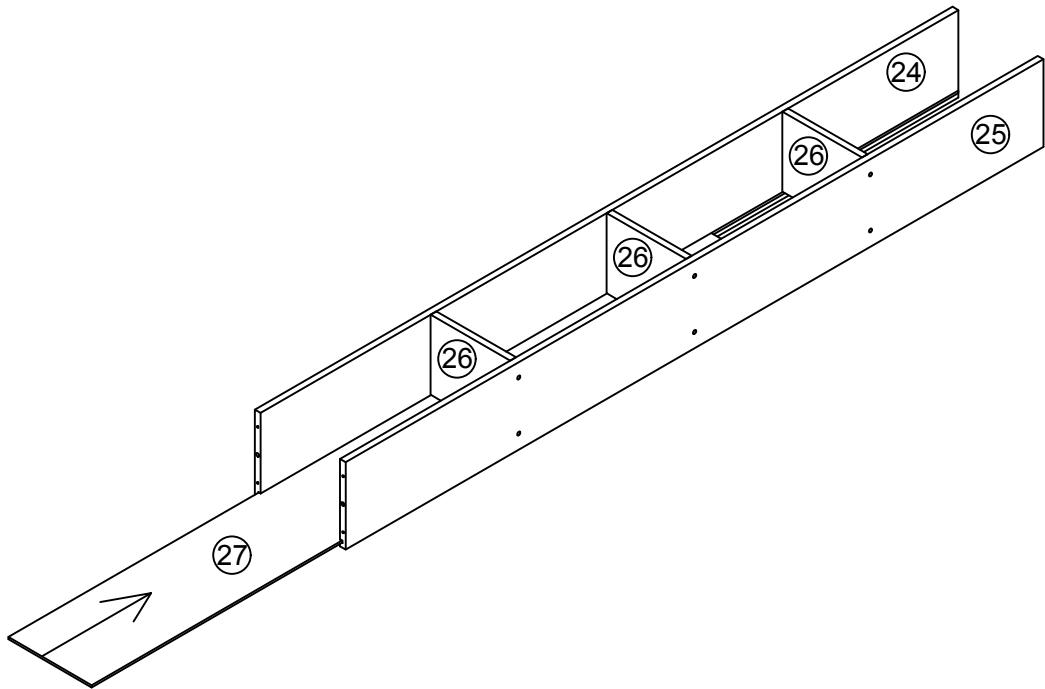


5



<p>O x 12</p>  <p>Ø6*50</p>	<p>C x 6</p>  <p>Ø8*30</p>	
--	---	--

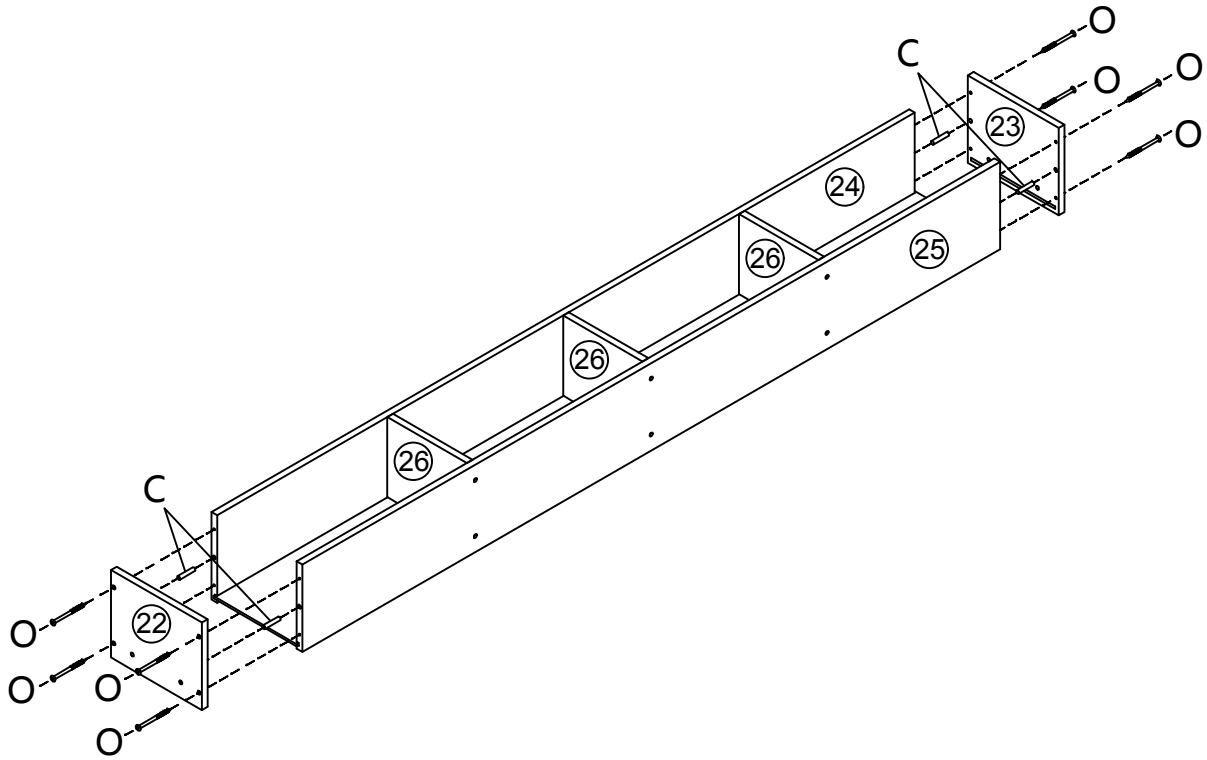


6




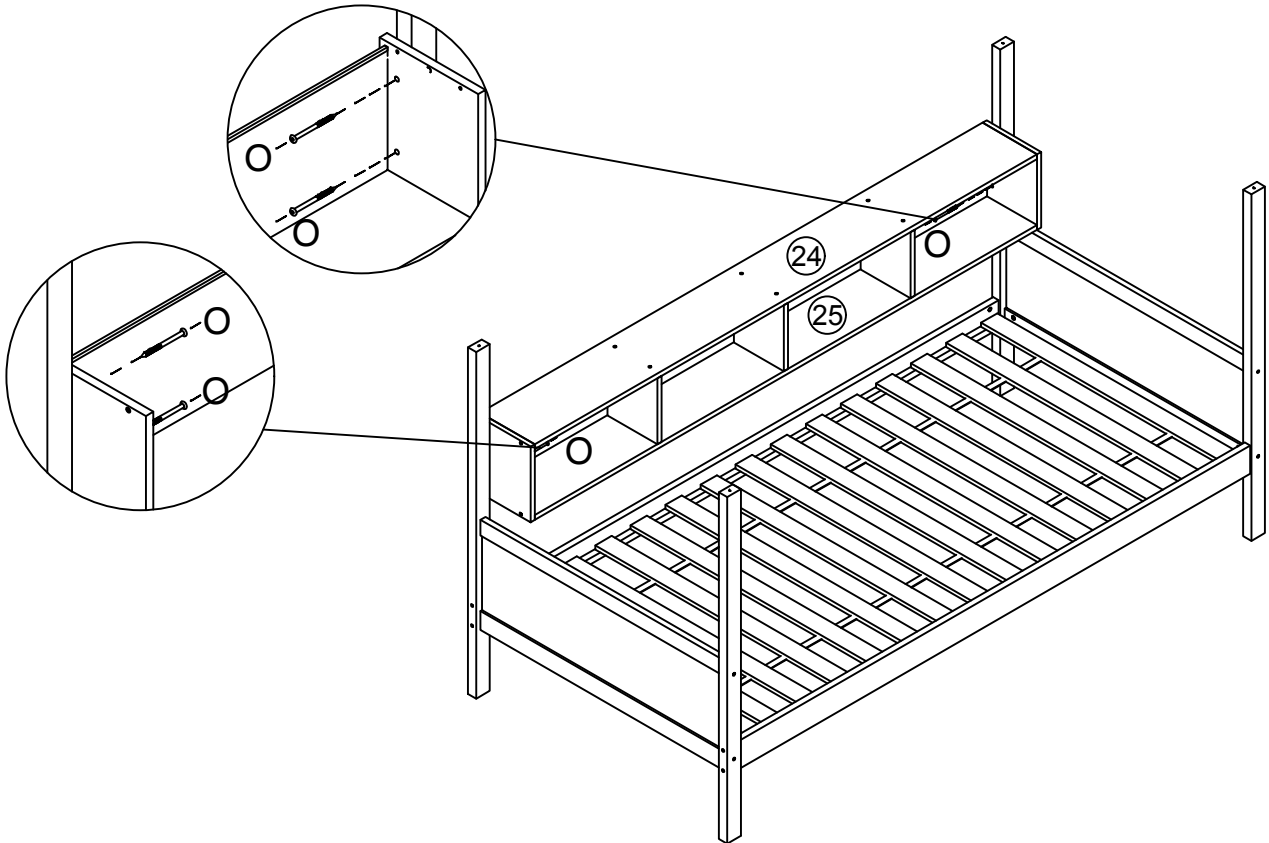
7

<p>O x 8</p>  <p>Ø6*50</p>	<p>C x 4</p>  <p>Ø8*30</p>	
---	---	--



8

<p>O x 4</p>  <p>Ø6*50</p>	
---	--

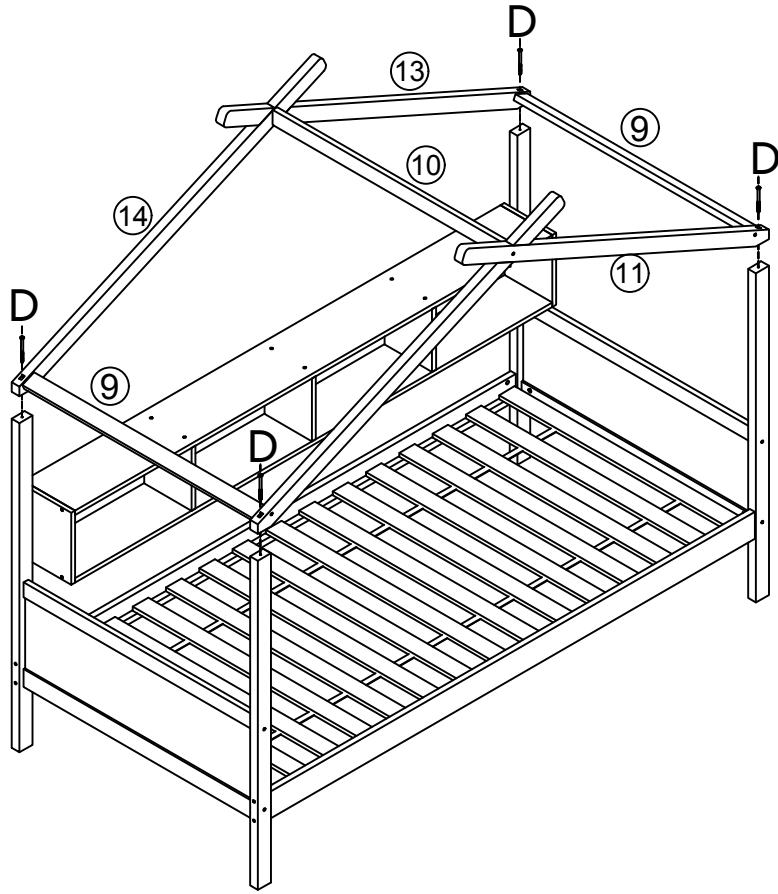


9

D x 4

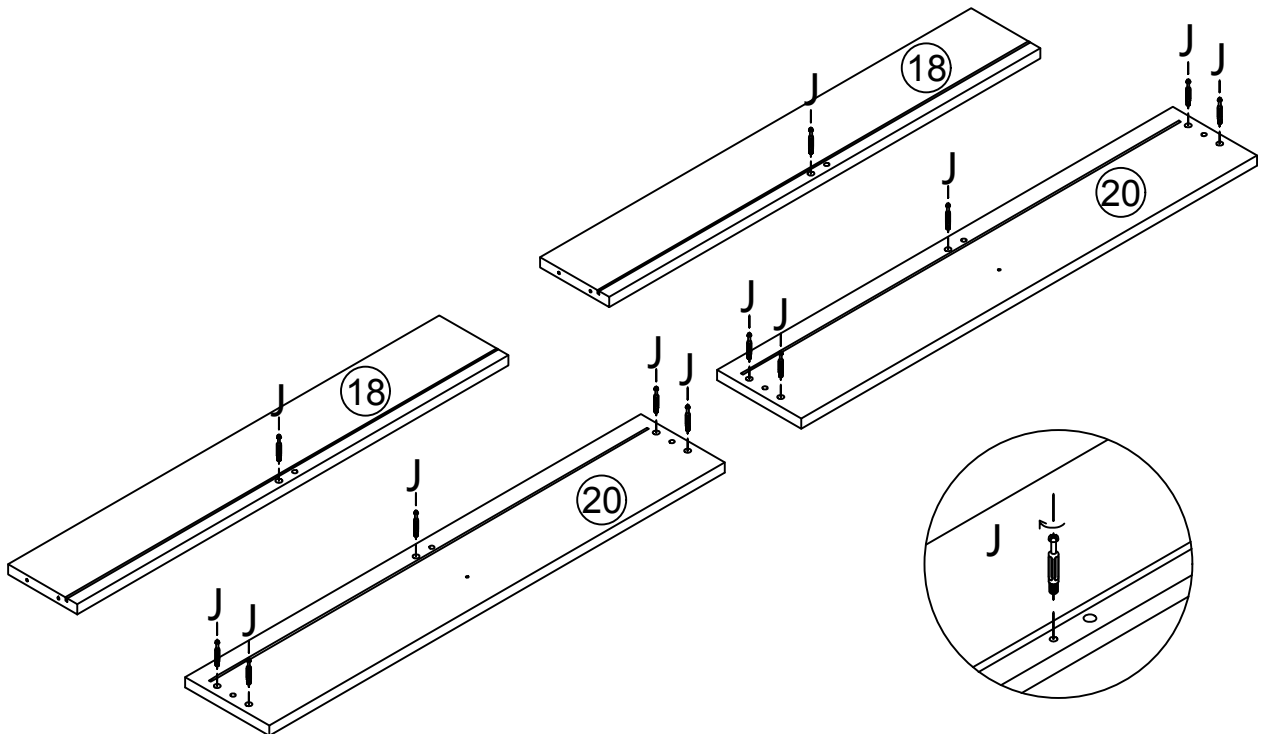


Ø6\*70

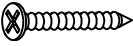




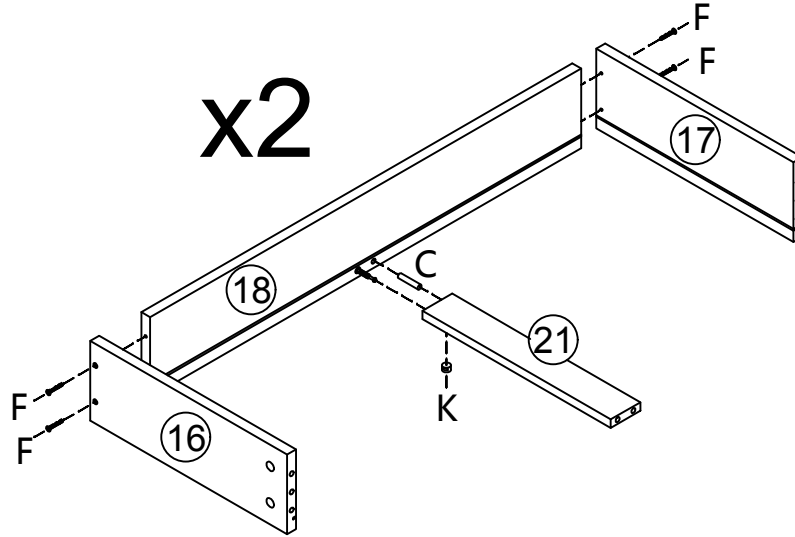
10

J x 12

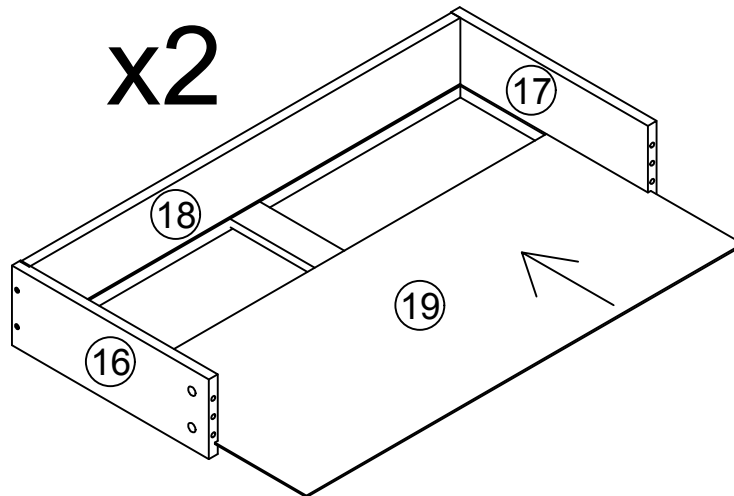


11



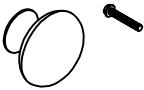
F x 8  Ø4*30	C x 2  Ø8*30	K x 2 	
---	---	--	--

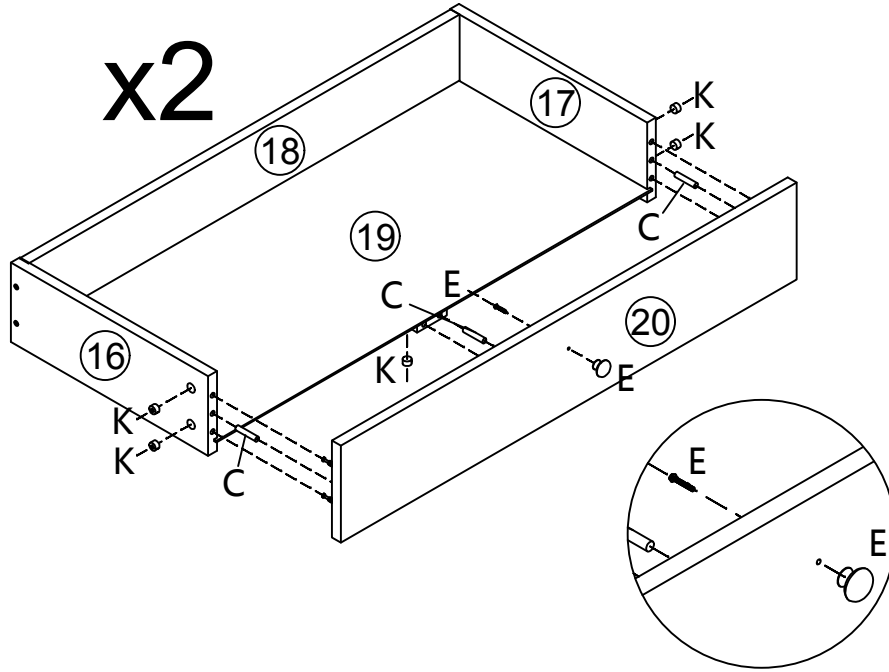


12



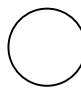


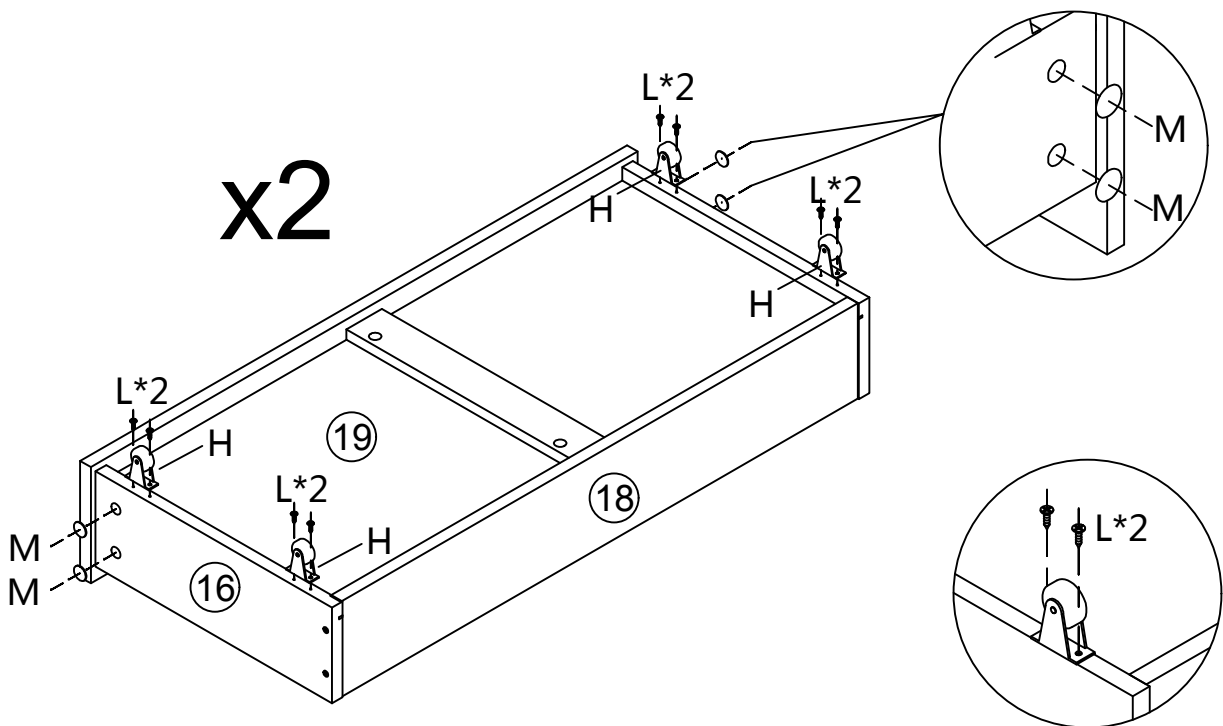
13

C x 6  Ø8*30	K x 10 	E x 2 	
---	---	---	--

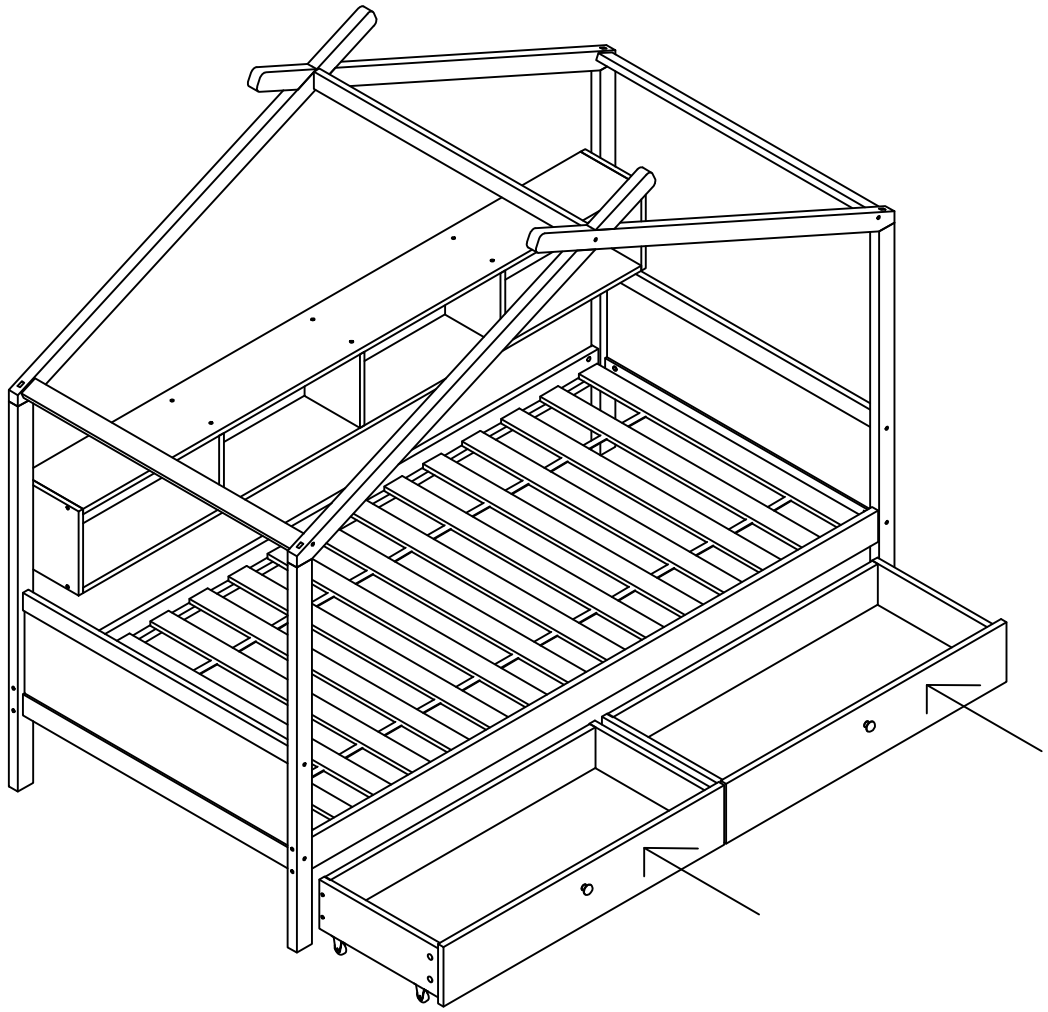


14

H x 8 	L x 16  Ø3.5*16	M x 8 	
--	--	--	--



15



16

