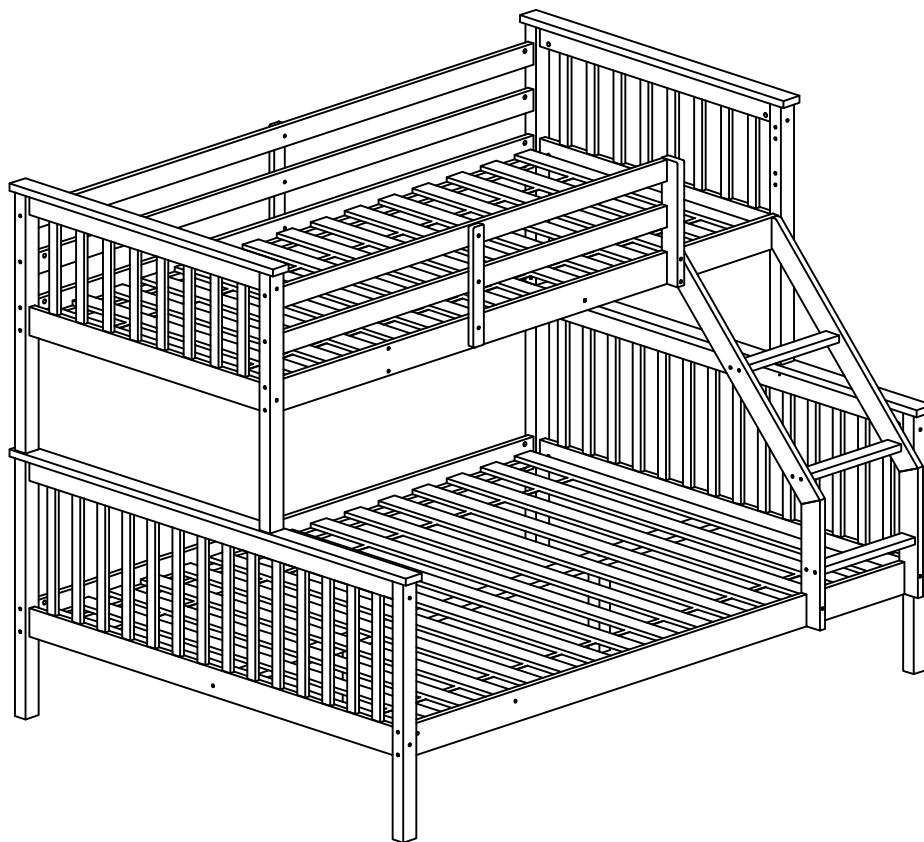

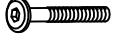




412-000011





A	 M6*70	x14
---	--	-----

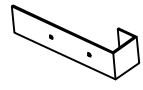
D	 M6*30	x6
---	--	----

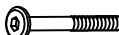
G	 M6*90	x22
---	--	-----


K	 Ø3.5*16	x4
---	--	----


N	 M6*20	x10
---	--	-----


B		x40
---	---	-----

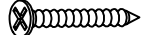
E		x2
---	---	----


H	 M6*50	x4
---	--	----


L	 Ø6*60	x16
---	--	-----

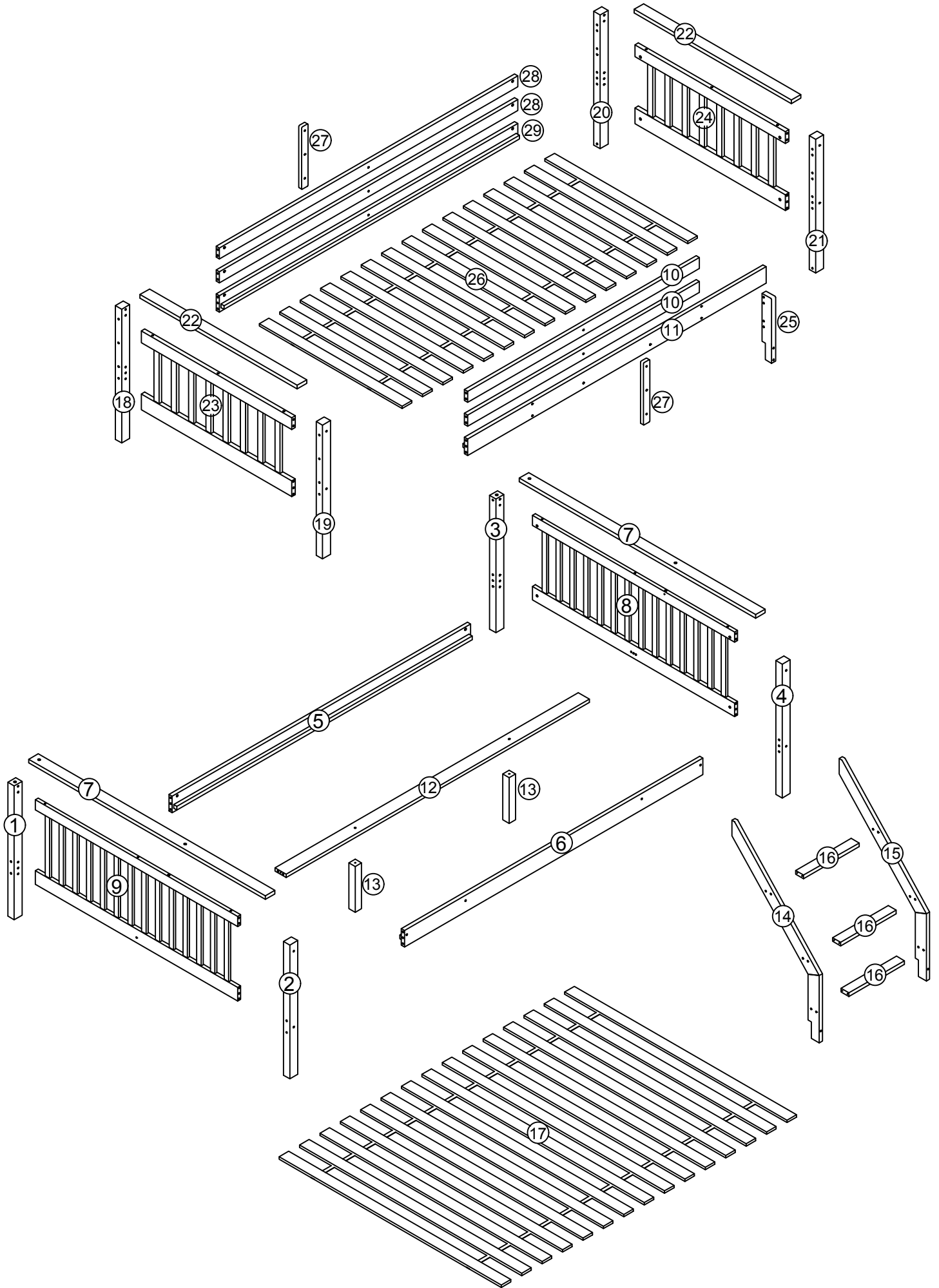
O		x2
---	---	----

C	 Ø8*30	x44
---	--	-----





F	 Ø4*30	x68
---	--	-----

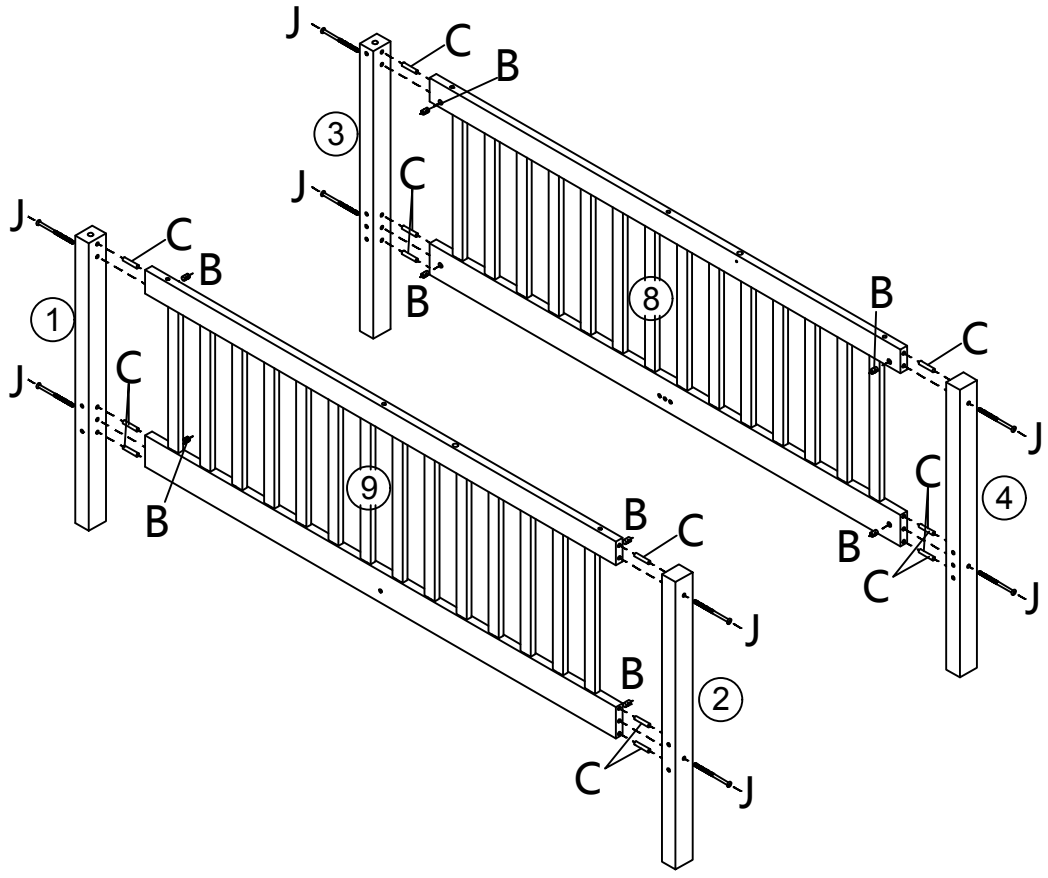
J	 M6*80	x16
---	--	-----

M	 Ø12*80	x4
---	---	----







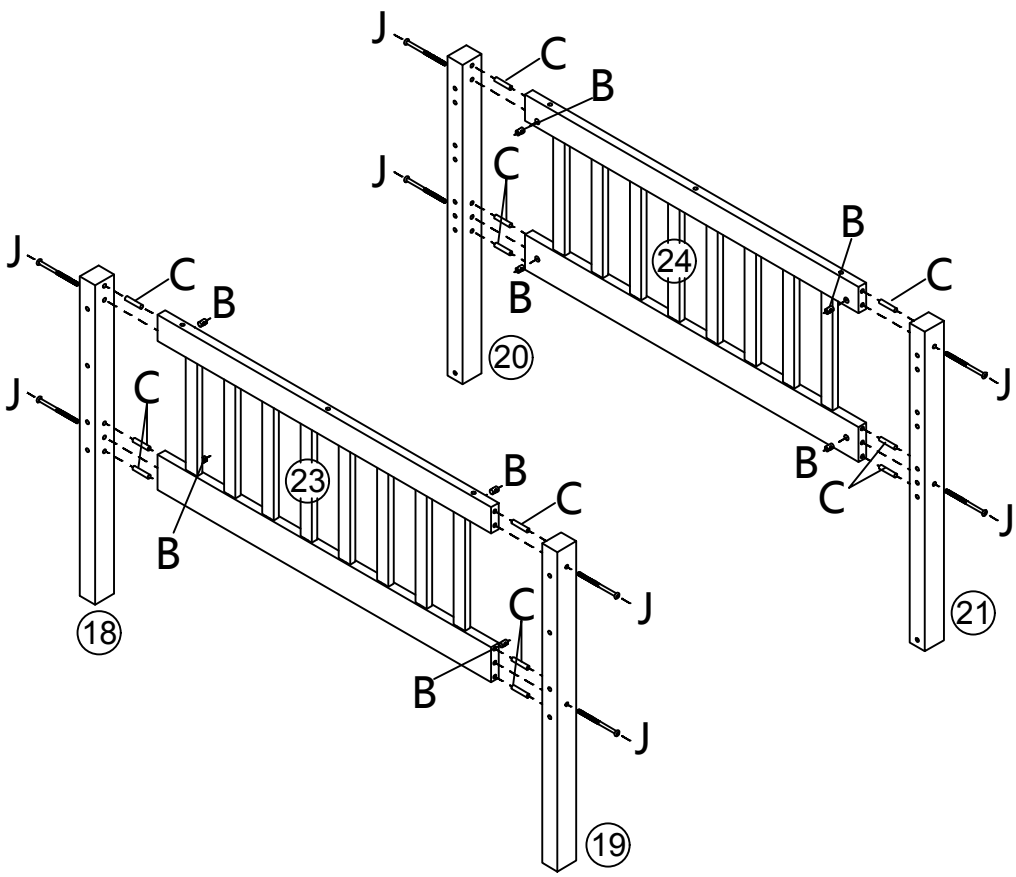
1

J x 8  M6*80	B x 8 	C x 12  Ø8*30	
---	--	---	---

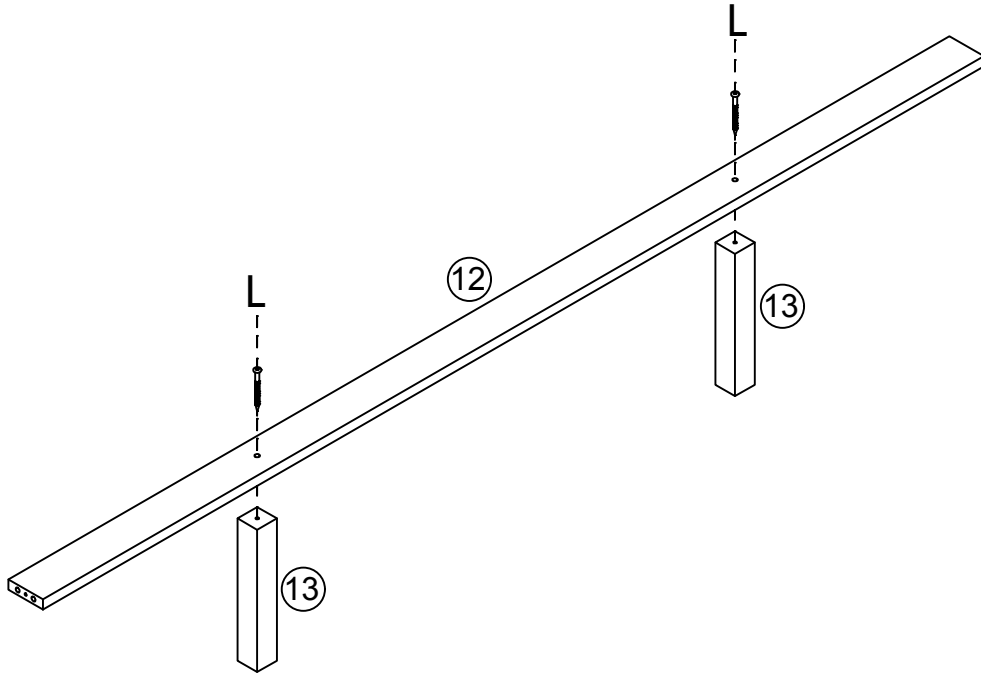
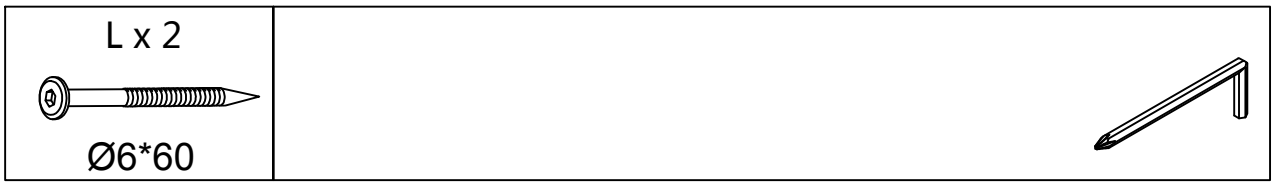


2

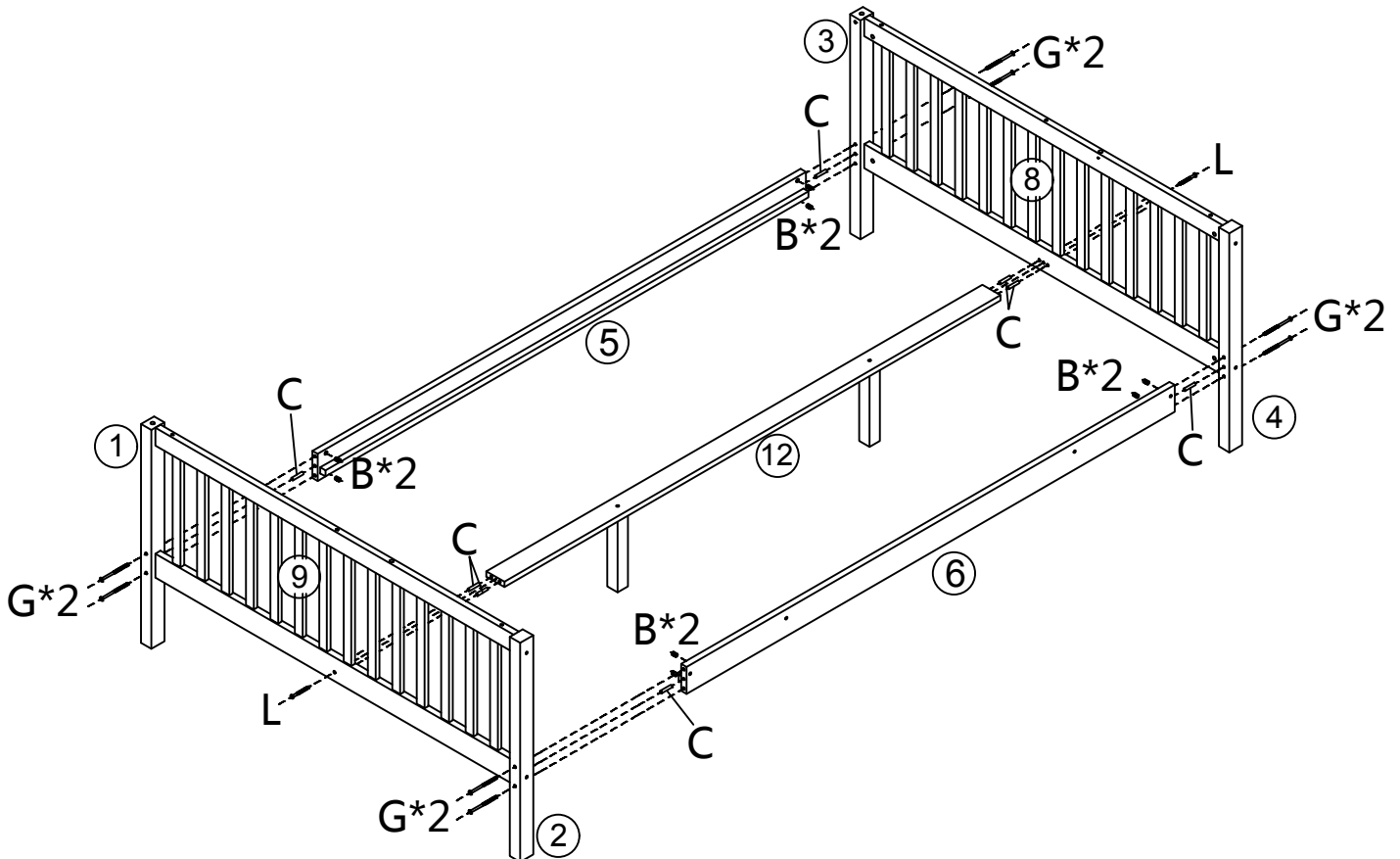
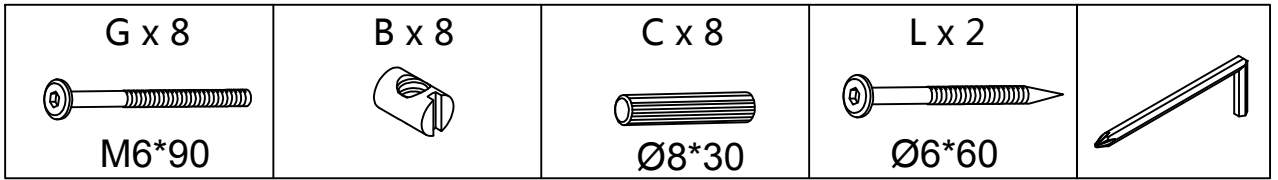
J x 8  M6*80	B x 8 	C x 12  Ø8*30	
---	--	---	---



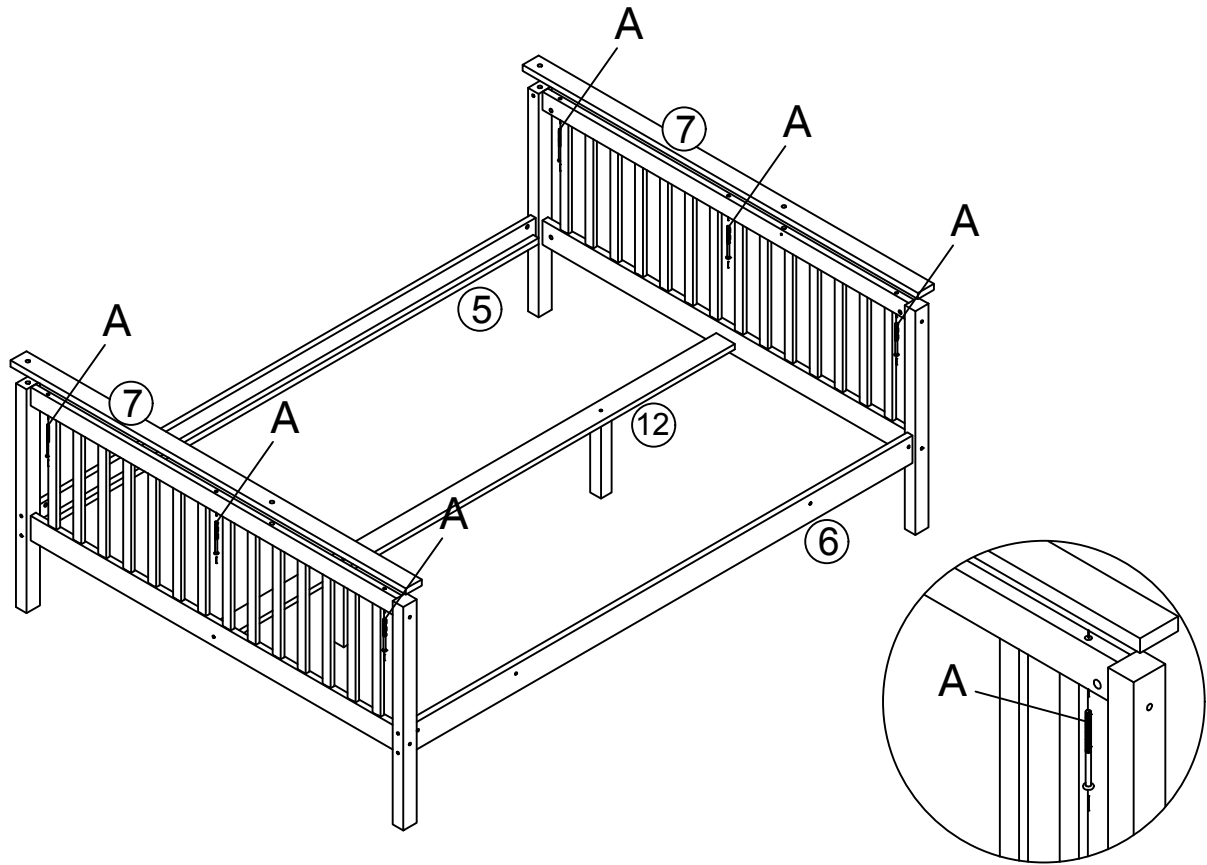
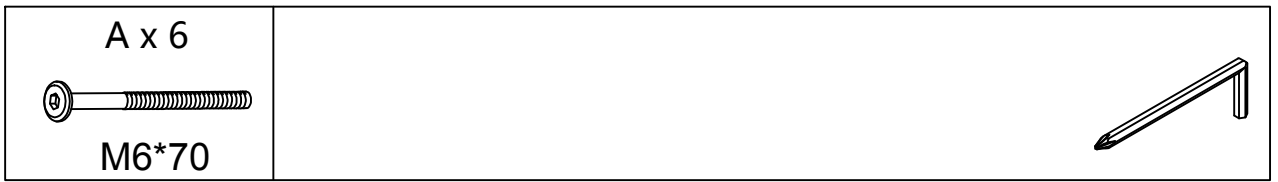
3



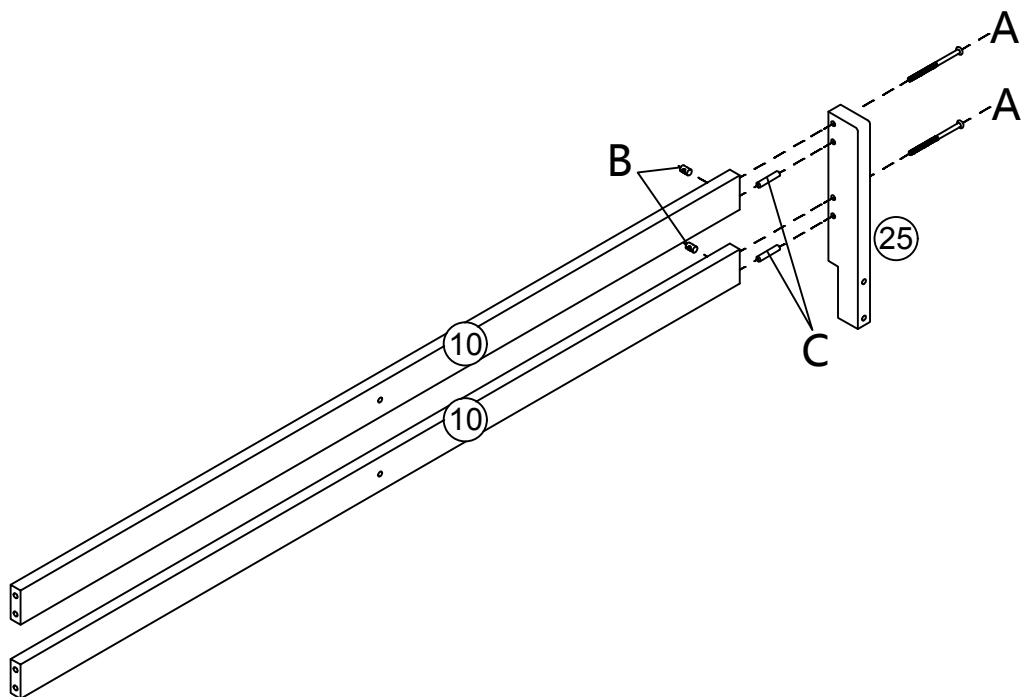
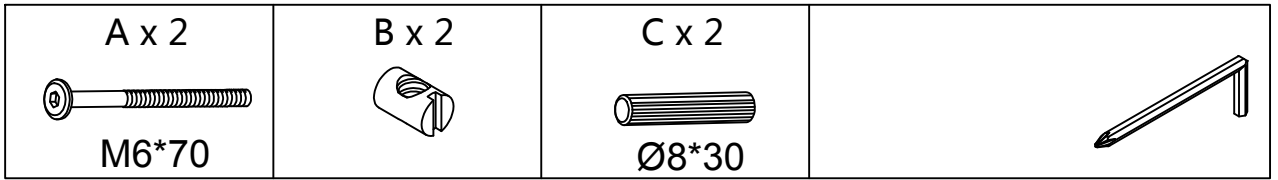
4







5

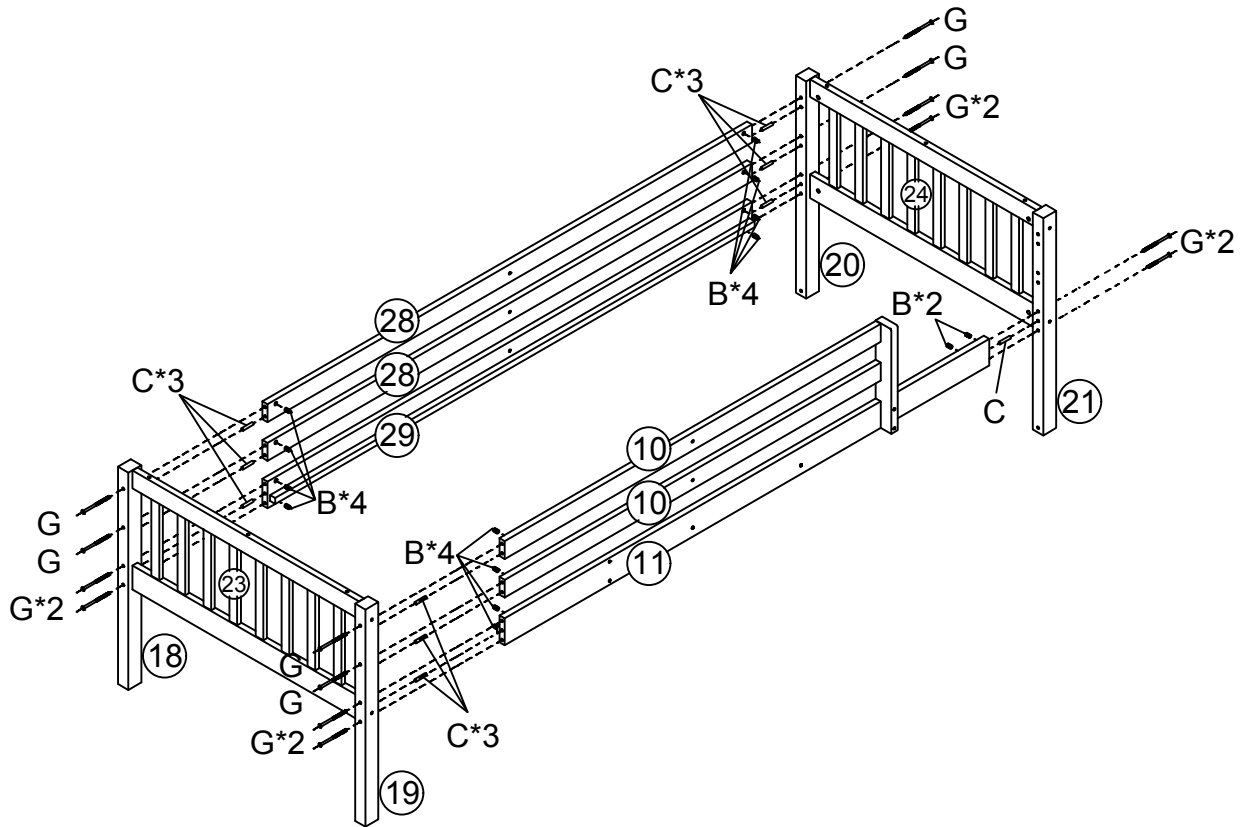


6

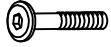
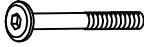
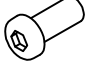



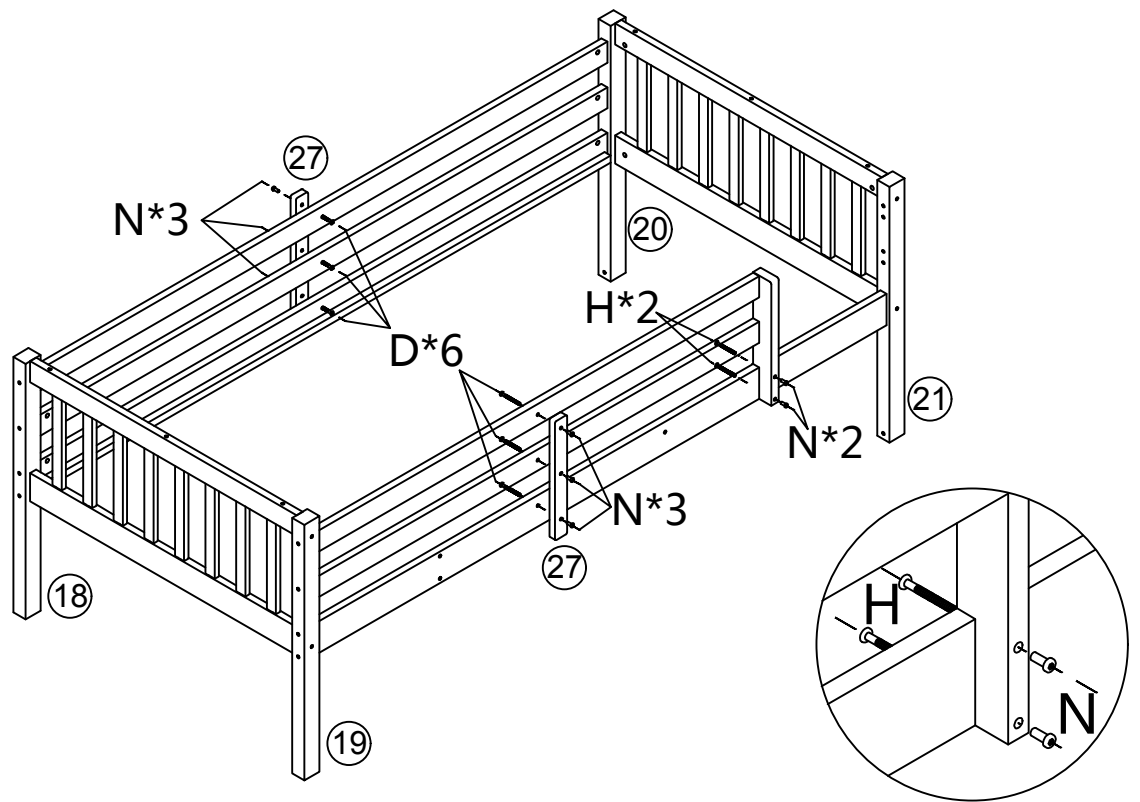
7

<p>G x 14</p>  <p>M6*90</p>	<p>B x 14</p>  <p></p>	<p>C x 10</p>  <p>Ø8*30</p>	
--	---	---	---





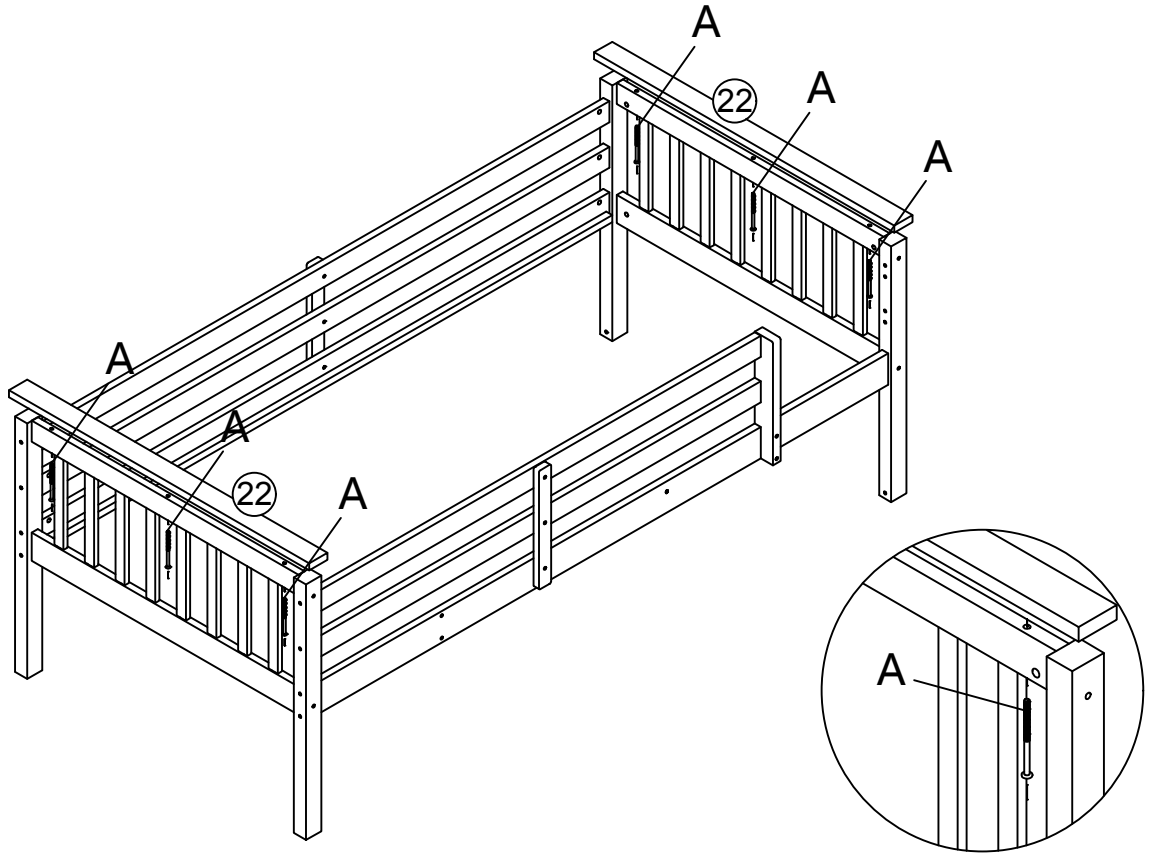
8

<p>D x 6</p>  <p>M6*30</p>	<p>H x 2</p>  <p>M6*50</p>	<p>N x 8</p>  <p>M6*20</p>	
---	---	---	---



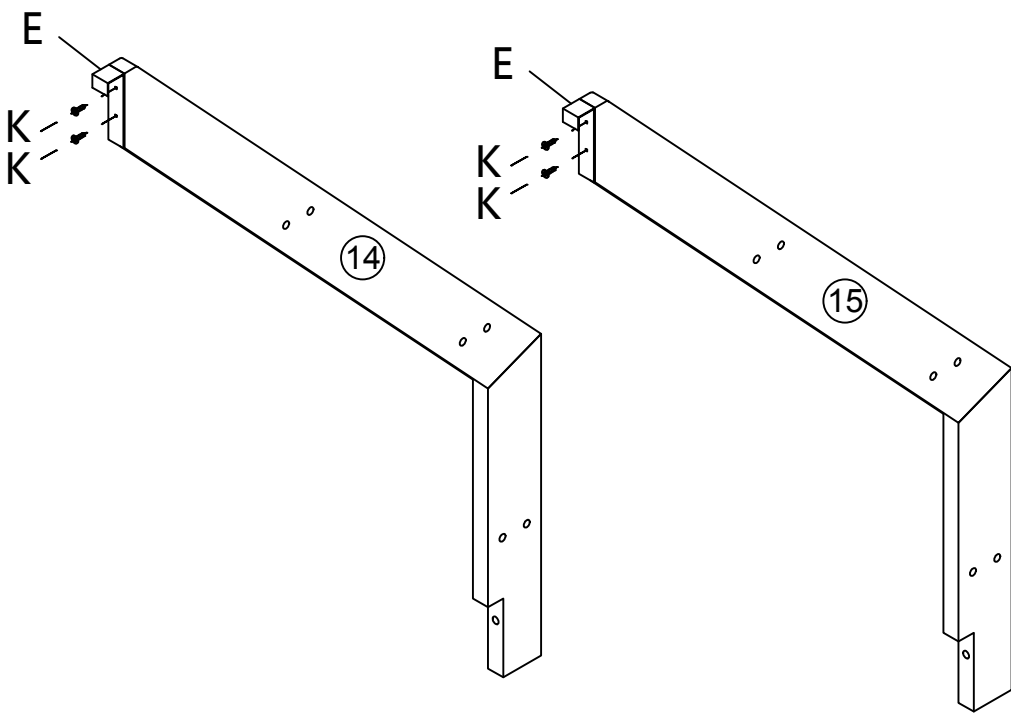
9

A x 6  M6*70		
---	--	---

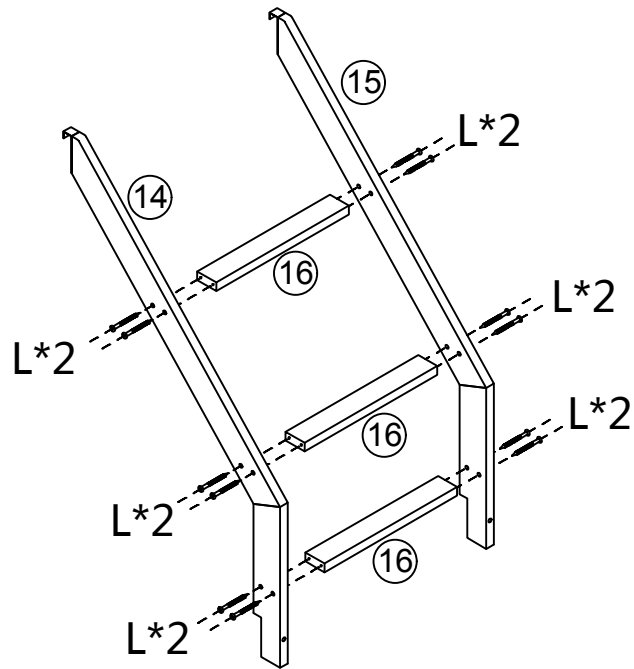
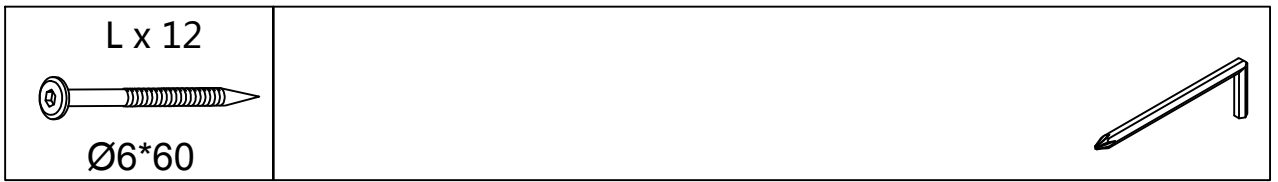


10

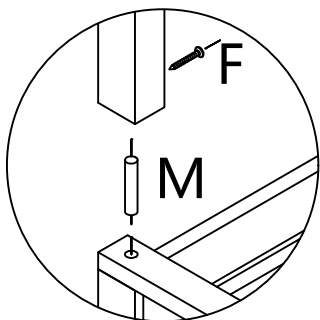
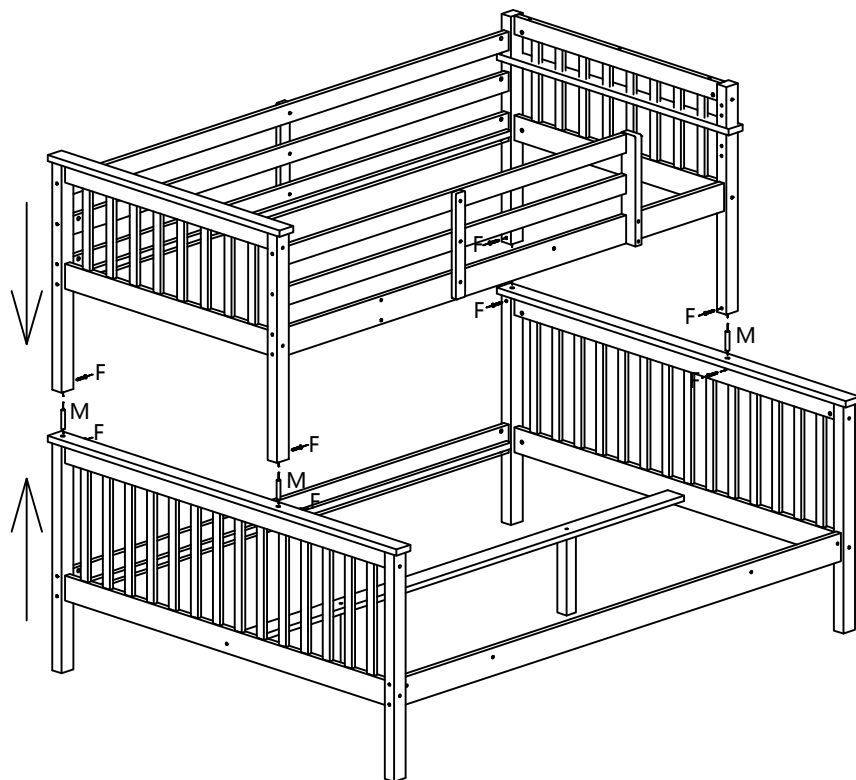
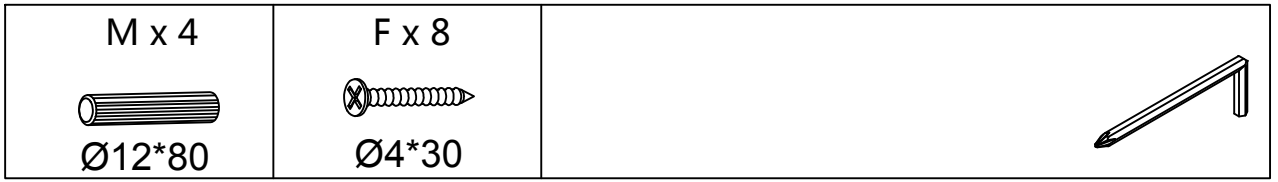
E x 2 	K x 4  Ø3.5*16		
--	---	--	---



11

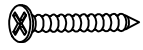


12

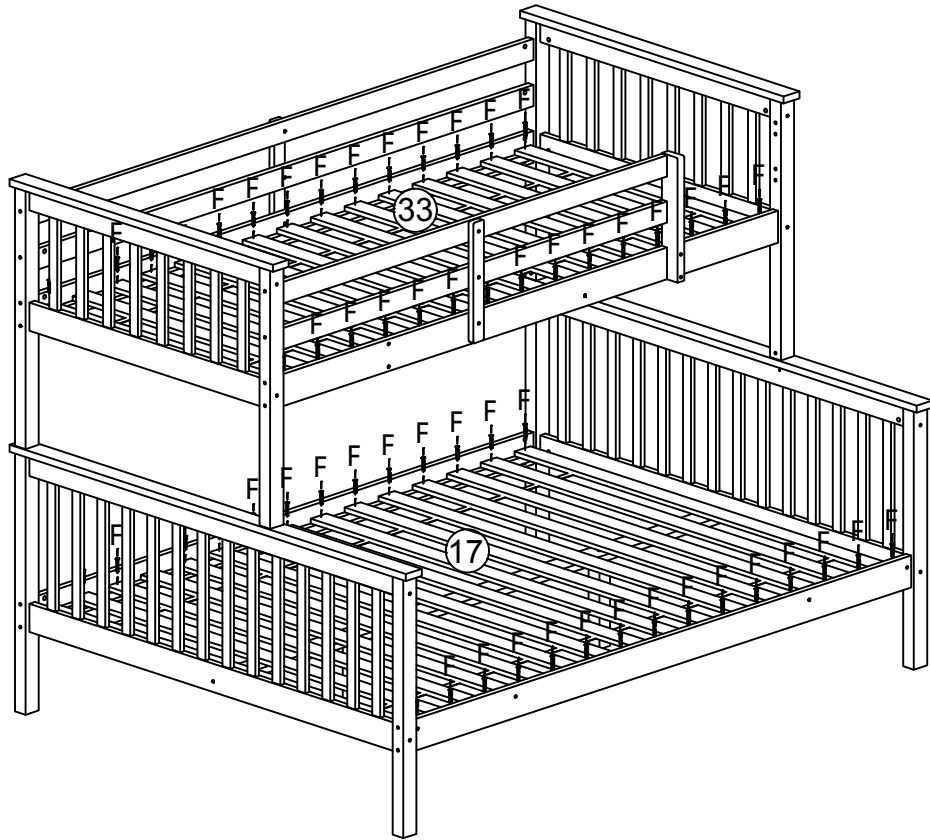


13

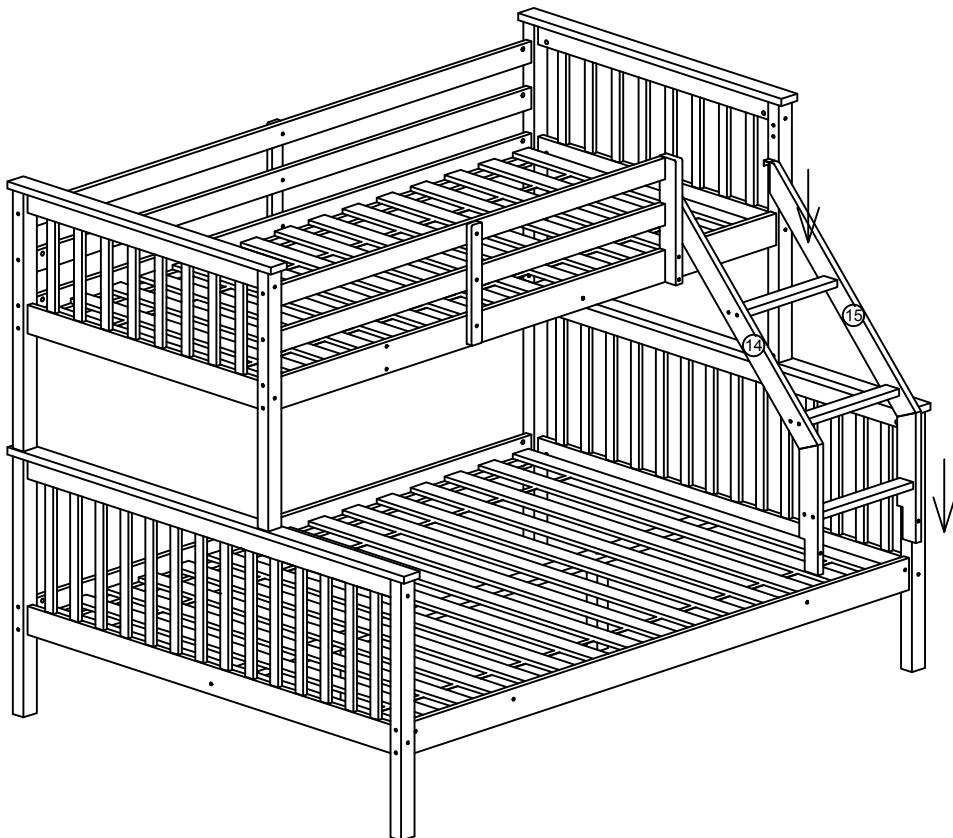
F x 60



Ø4*30

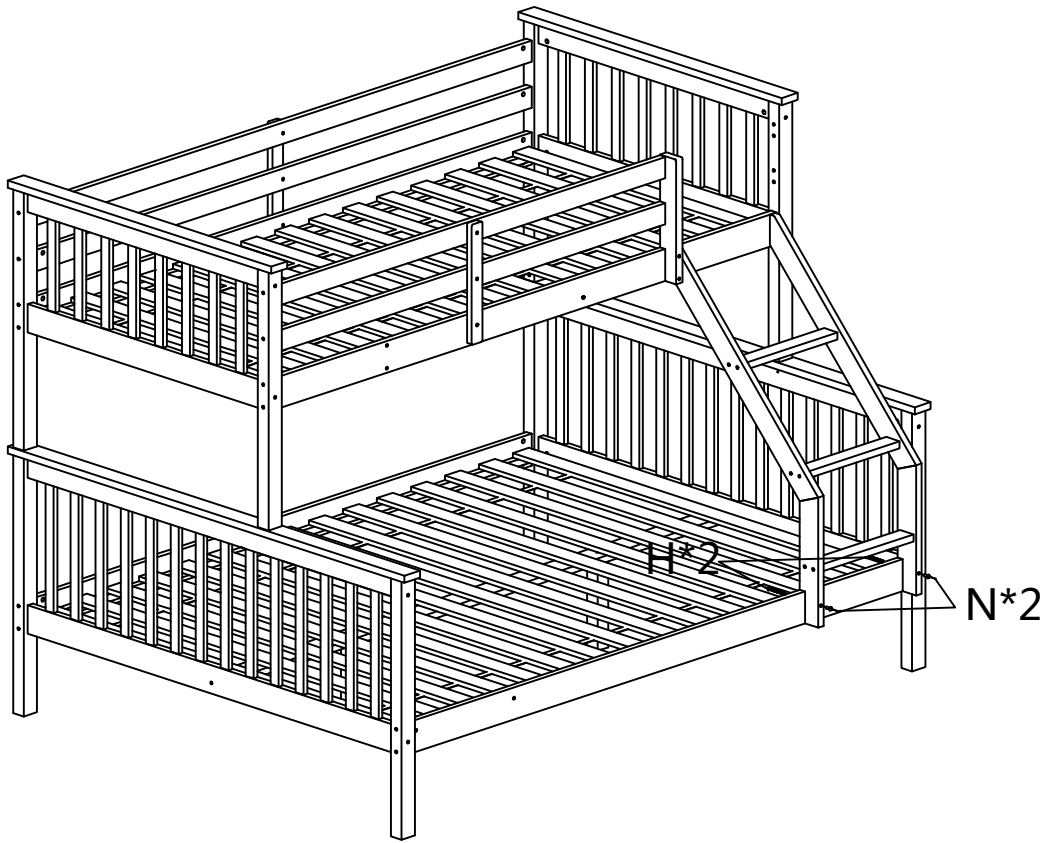
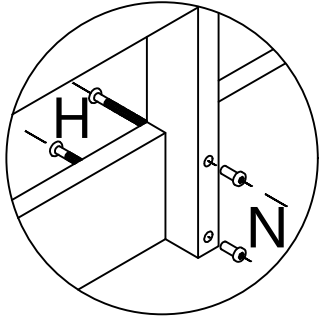


14



15

<p>H x 2</p>  <p>M6*50</p>	<p>N x 2</p>  <p>M6*20</p>	
---	---	---



16

