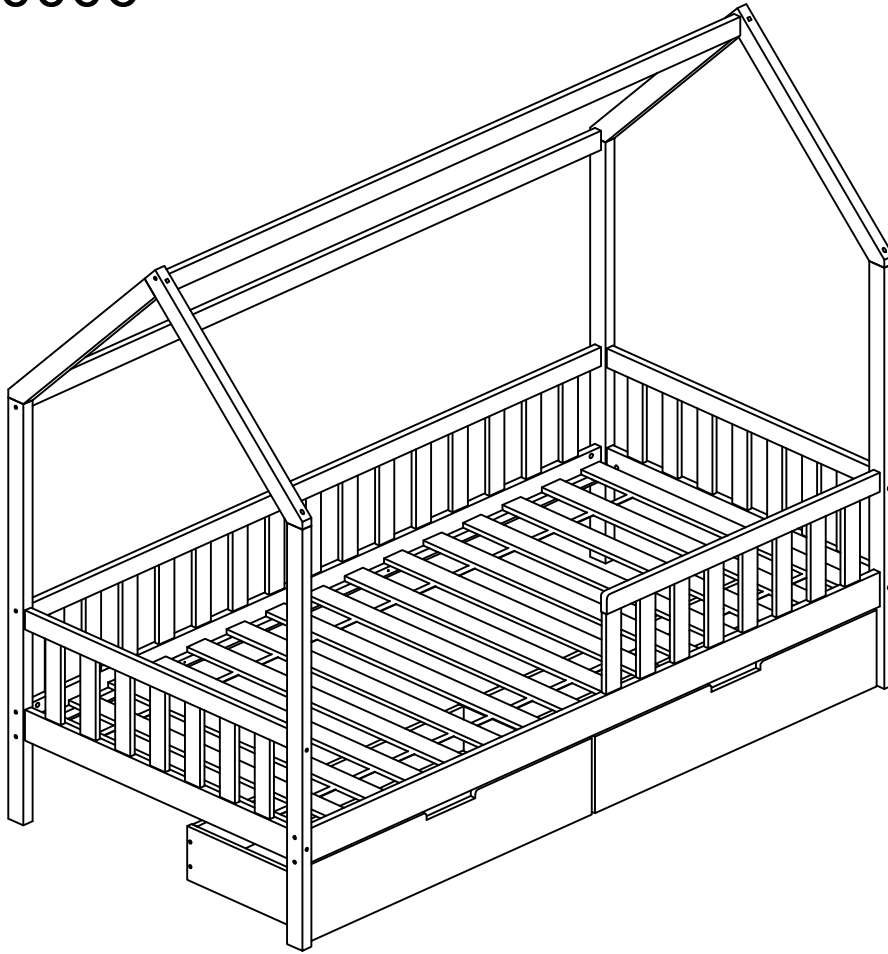






412-000006





A	 M6*70	x8
---	--	----

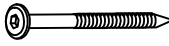
D	 Ø6*70	x7
---	--	----


G	 M6*90	x4
---	--	----


K	 Ø6	x12
---	---	-----


N	 10x20	x4
---	--	----


B	 Ø6	x12
---	---	-----

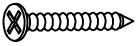
E	 Ø6*90	x6
---	--	----


H	 10x10	x8
---	--	----


L	 Ø3.5*16	x16
---	--	-----


O	 Ø6*60	x4
---	--	----

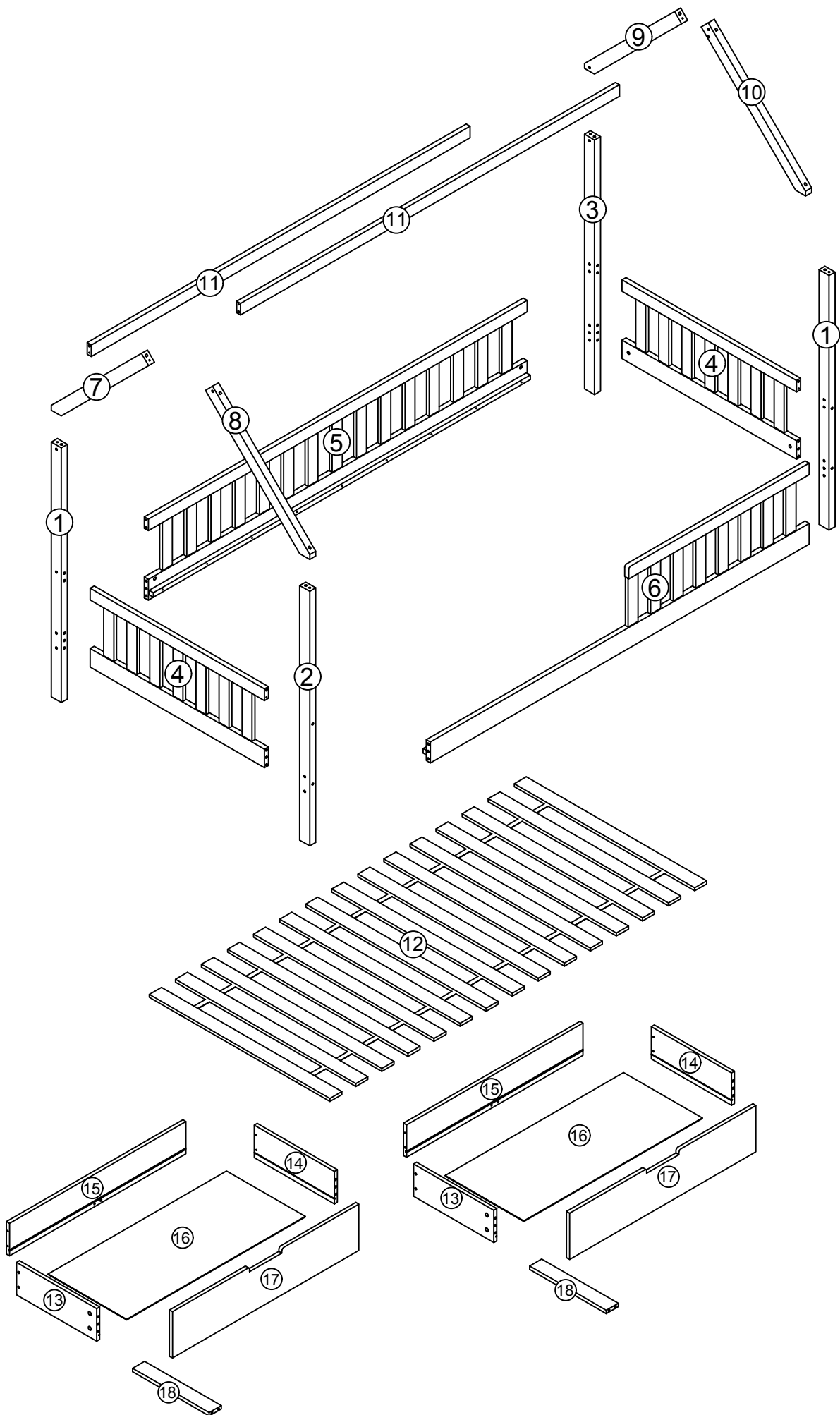
C	 Ø8*30	x37
---	--	-----

F	 Ø4*30	x38
---	--	-----






J	 Ø4*30	x12
---	--	-----

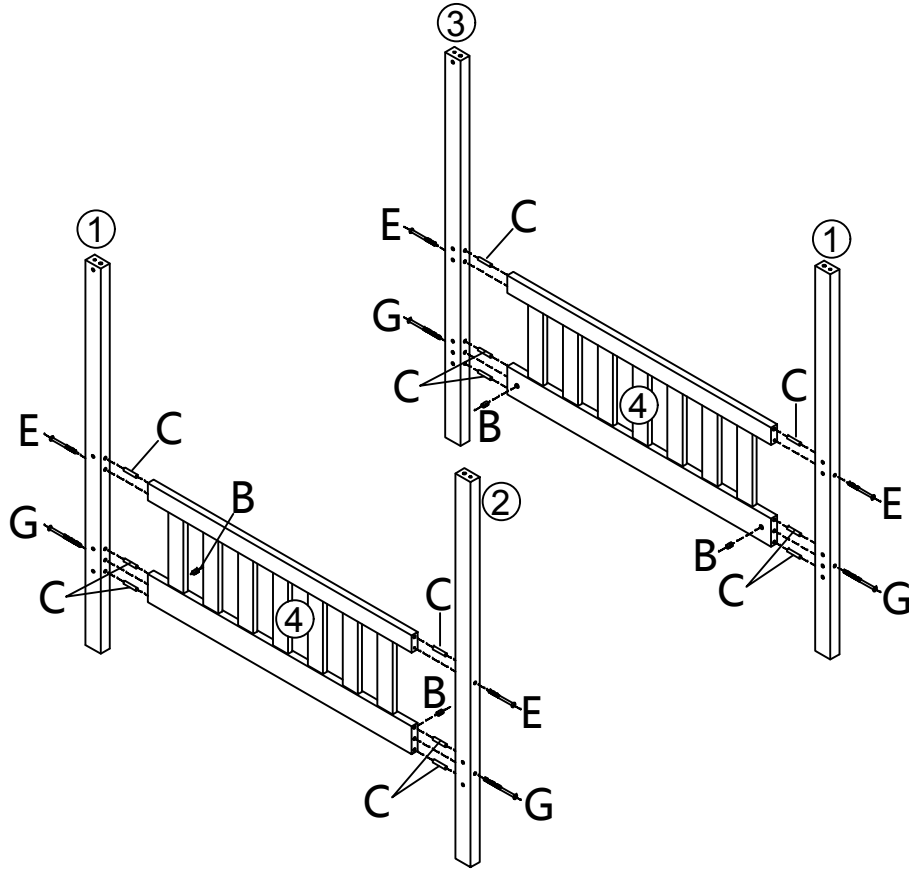
M	 Ø6	x8
---	---	----

P	 10x10	x1
---	--	----








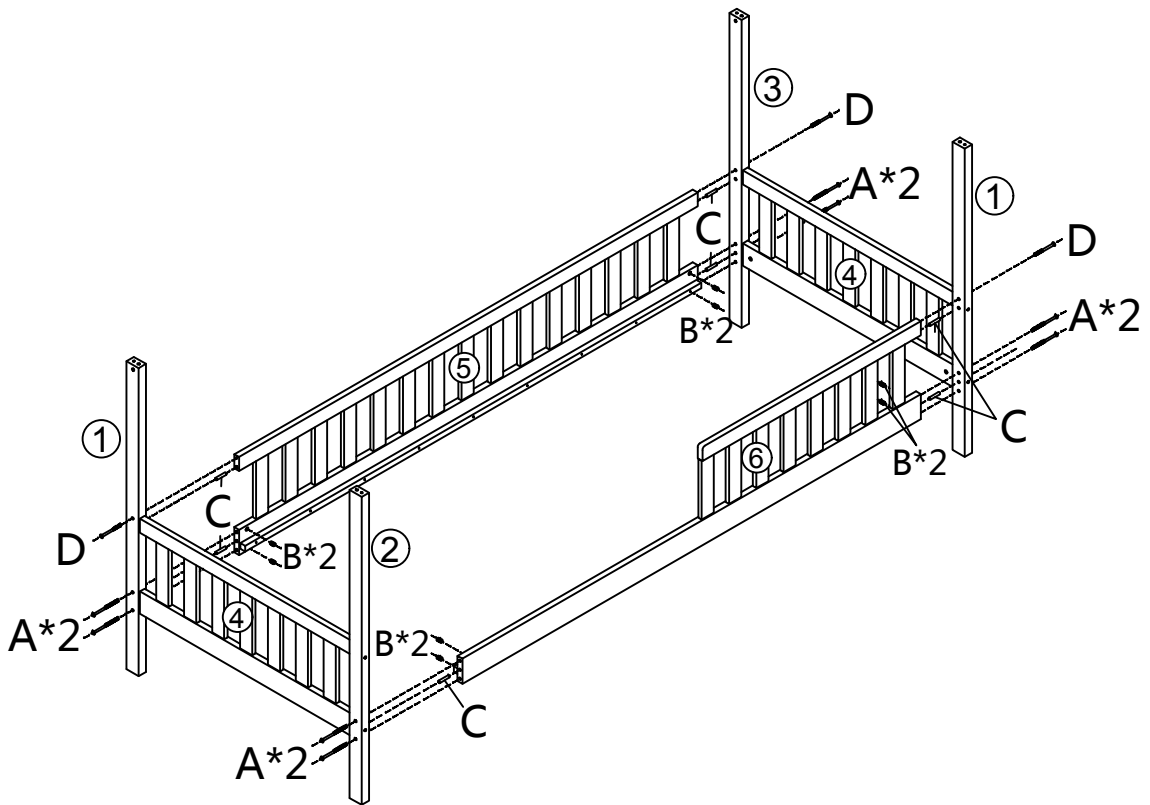
1

E x 4  Ø6*90	B x 4 	C x 12  Ø8*30	G x 4  M6*90	
---	--	---	---	---





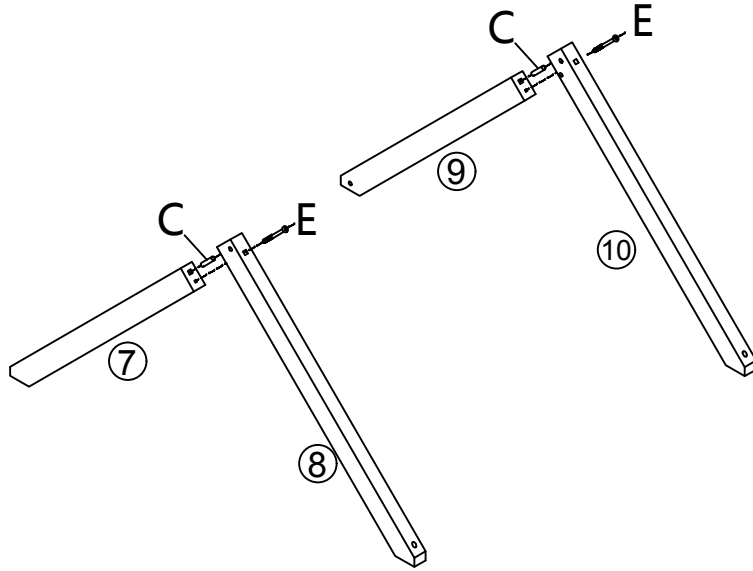
2

D x 3  Ø6*70	B x 8 	C x 7  Ø8*30	A x 8  M6*70	
---	--	--	---	---





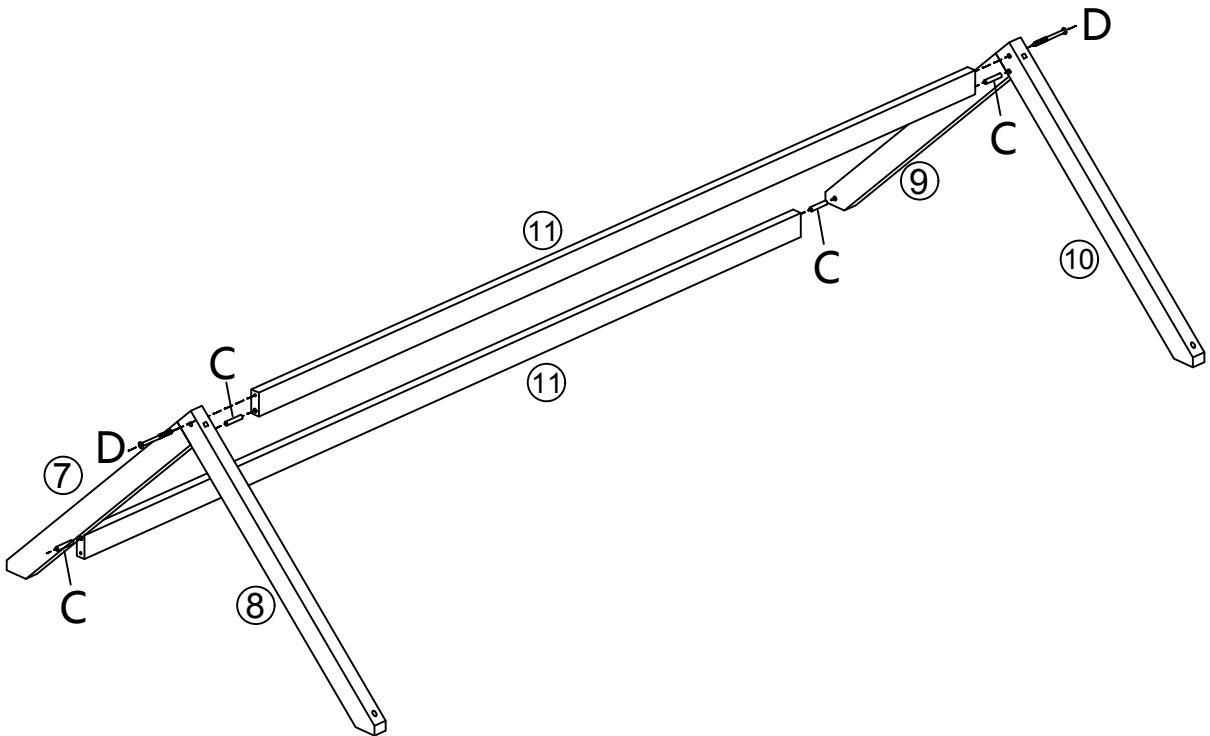
3

<p>C x 2</p>  <p>Ø8*30</p>	<p>E x 2</p>  <p>Ø6*90</p>	
---	---	--





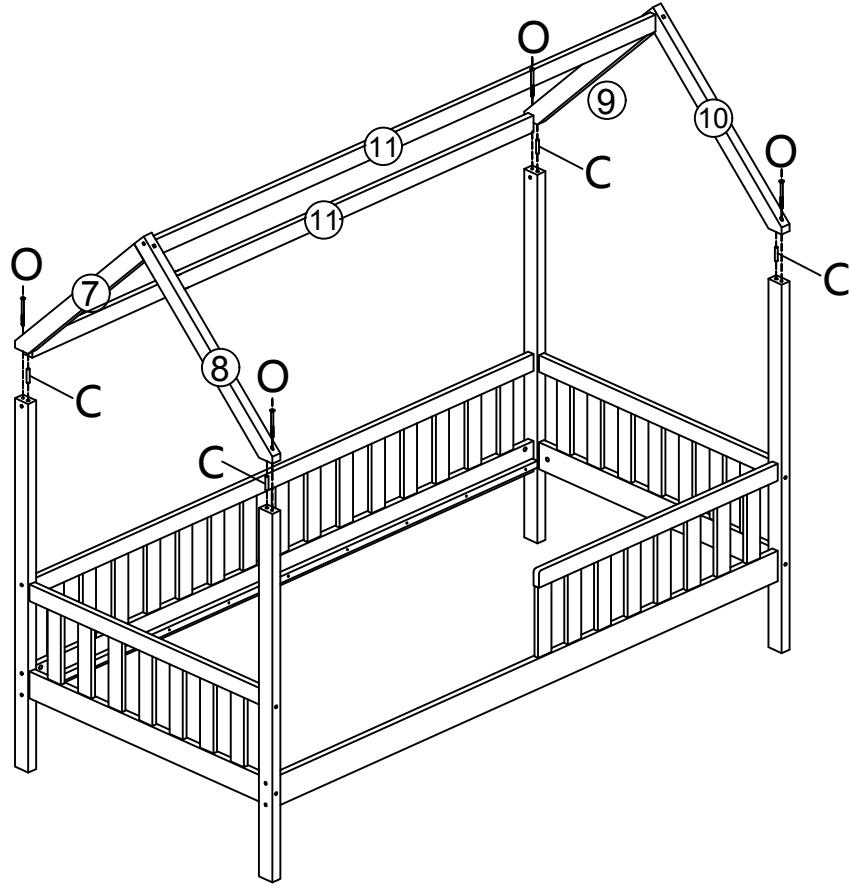
4

<p>D x 2</p>  <p>Ø6*70</p>	<p>C x 4</p>  <p>Ø8*30</p>	
---	---	--



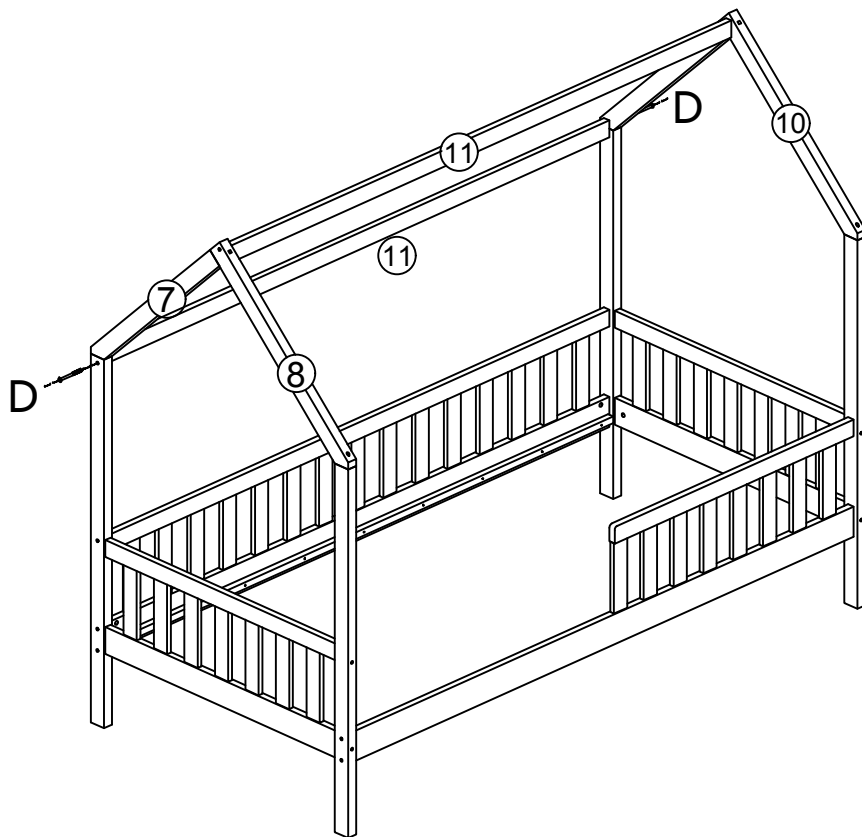
5

O x 4  Ø6*60	C x 4  Ø8*30	
---	---	--



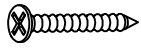
6

D x 2  Ø6*70		
---	--	--



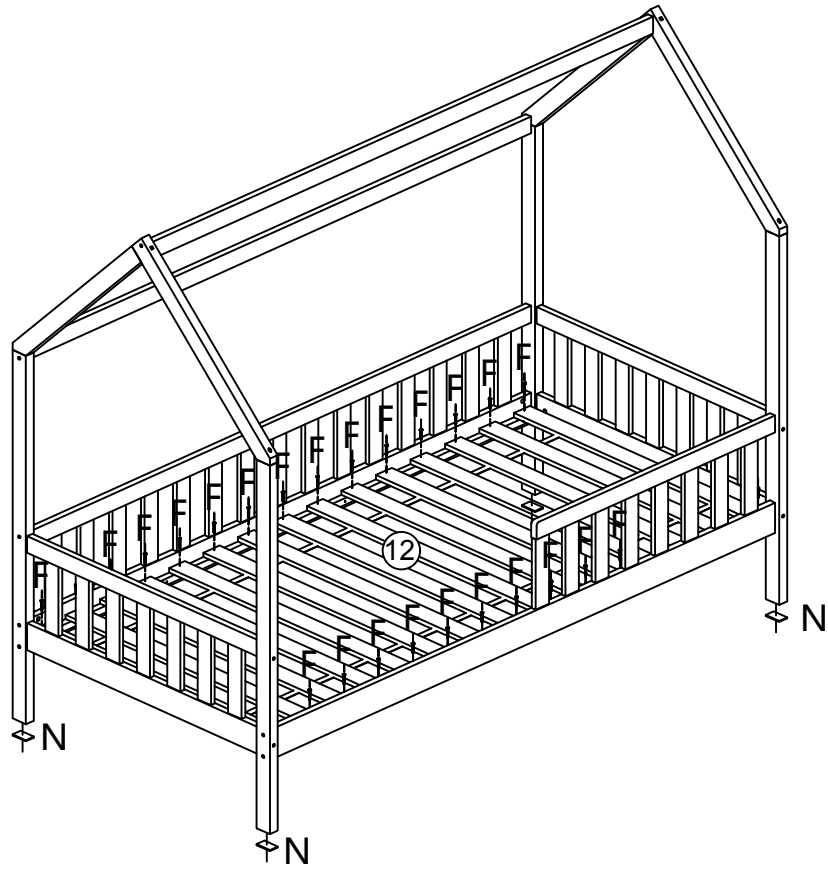
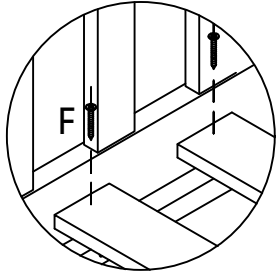
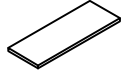
7

F x 30



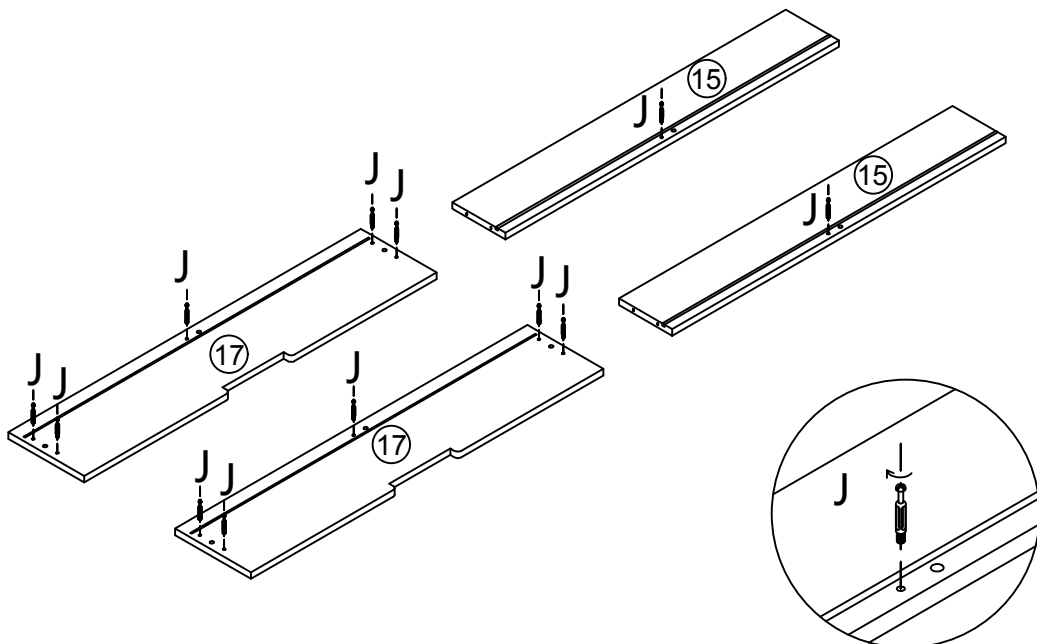
Ø4\*30

N x 4

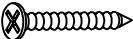




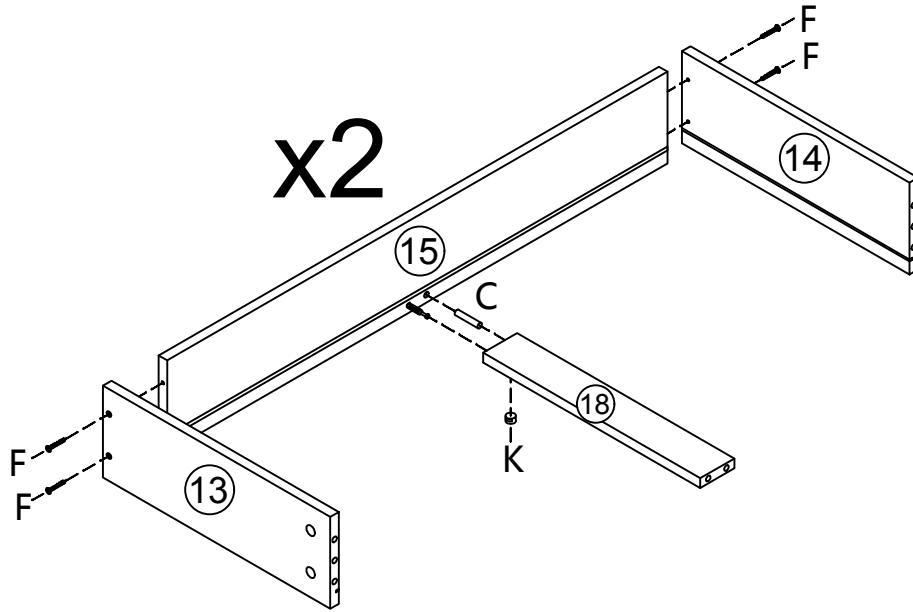
8

J x 12

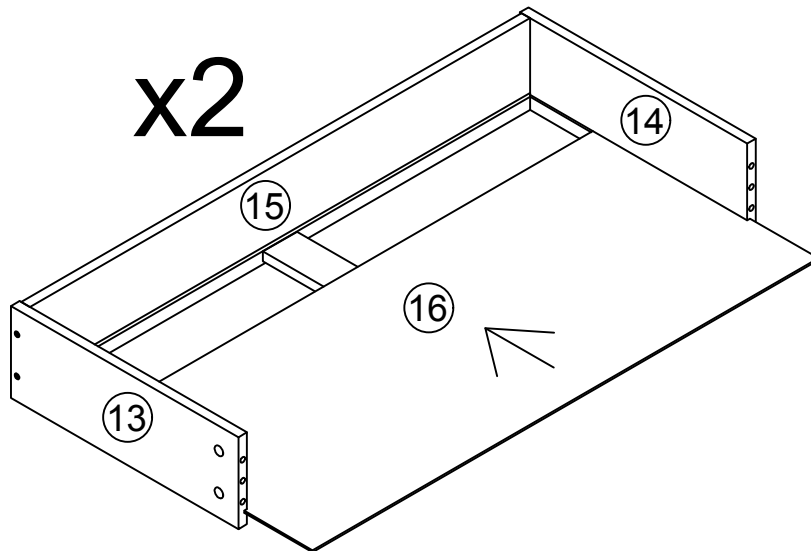


9



F x 8  Ø4*30	C x 2  Ø8*30	K x 2 	
---	---	--	--

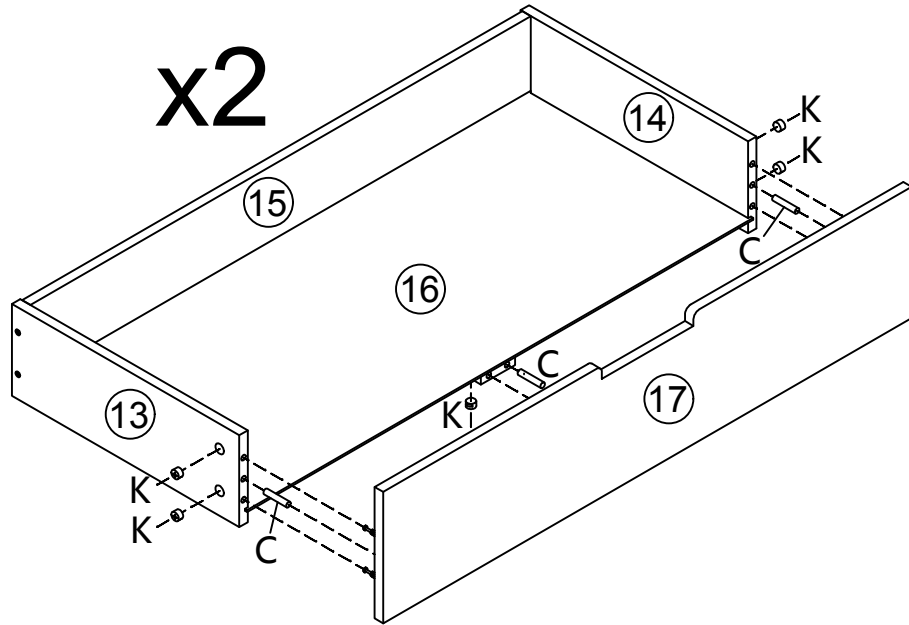


10



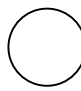


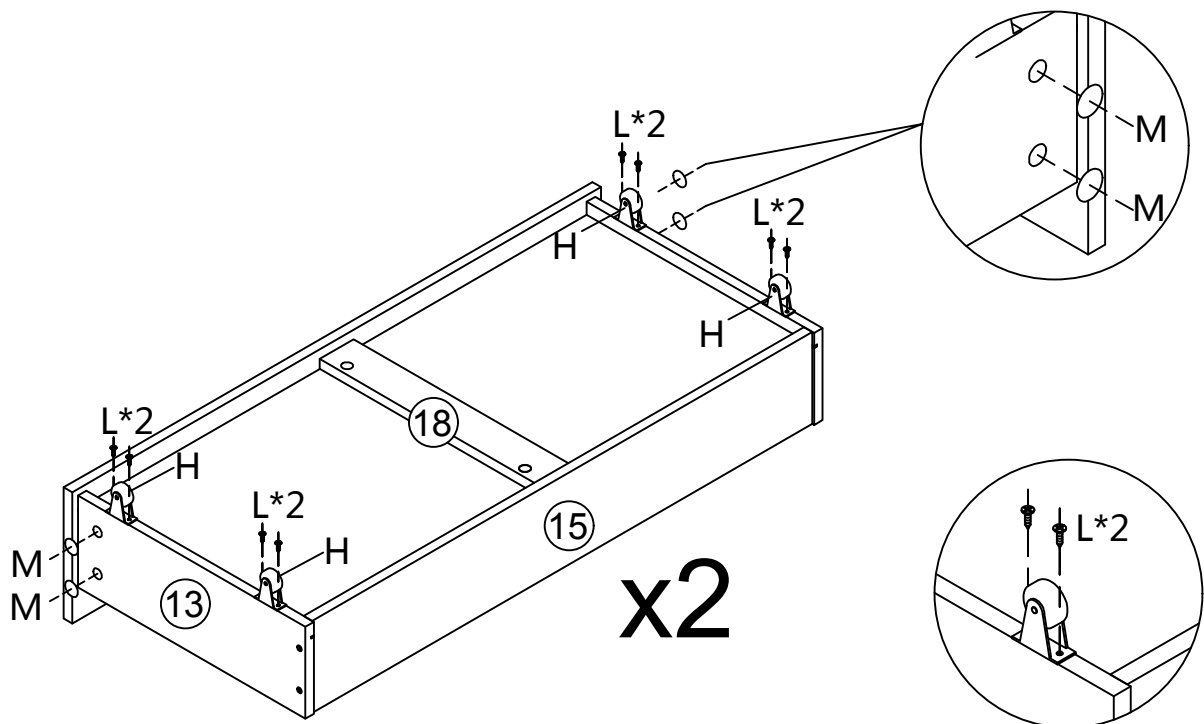
11

C x 6  Ø8*30	K x 10 	
---	---	--

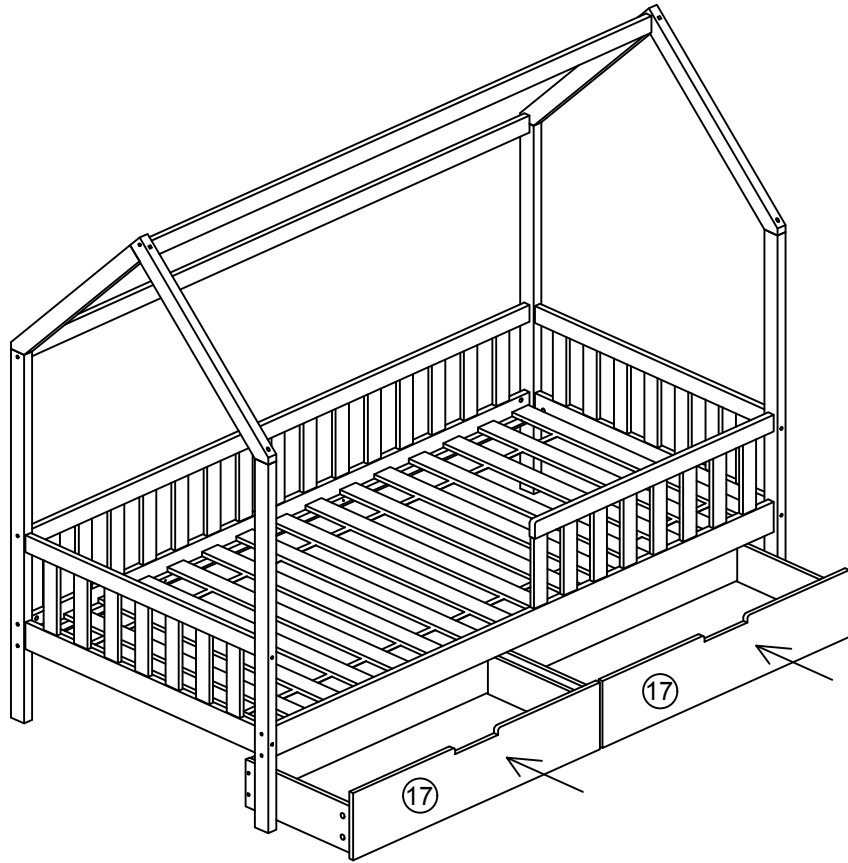


12

H x 8 	L x 16  Ø3.5*16	M x 8 	
--	--	--	--



13



14

