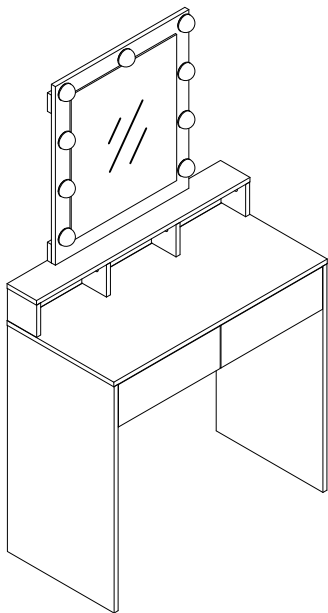


# 412-000004

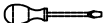


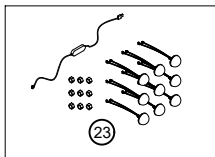
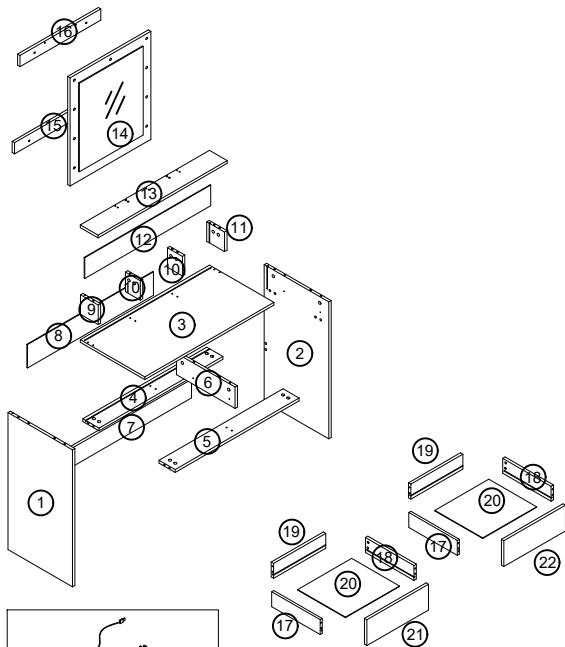
2PERS



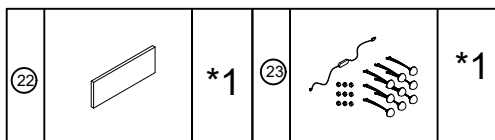
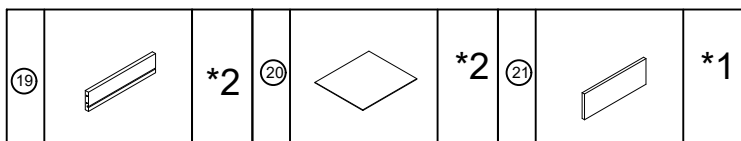
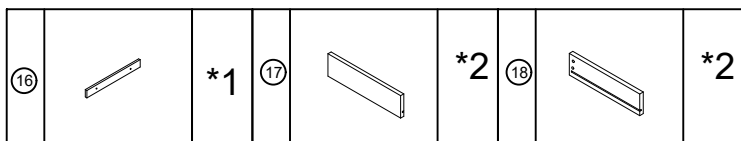
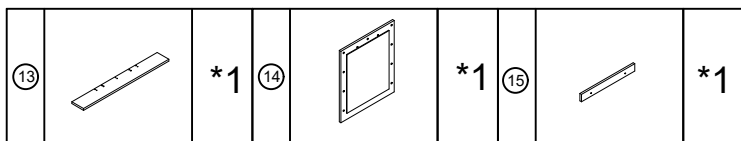
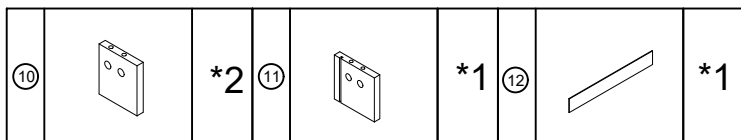
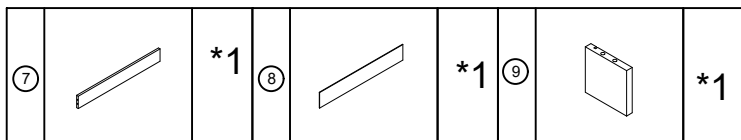
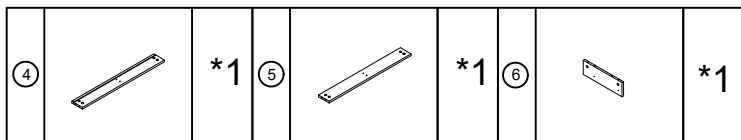
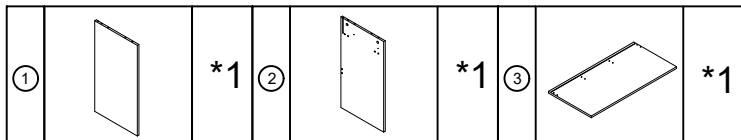
60 MIN

Tool Required Not Provided







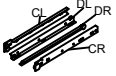

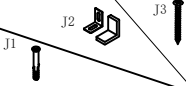






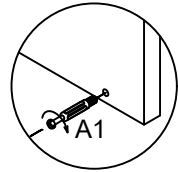
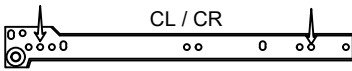
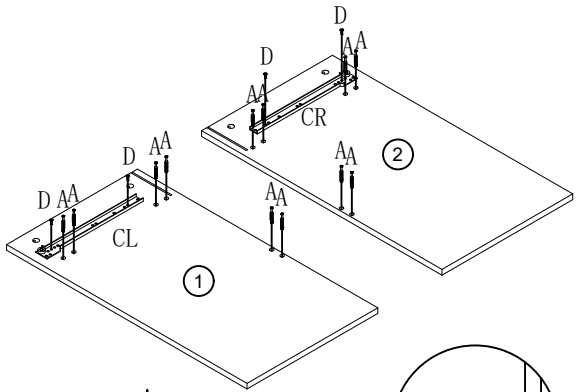
# Part List



# Hardware List

 40mm	 15*11	 8*30mm	 3.5*14mm
A*34	B*34	C*10	D*26
 5*40mm	 6*20mm		
E*18	F*4	*2	H*8
	 4*30mm		
J*2	K*8	L*34	

1



40mm

A\*12



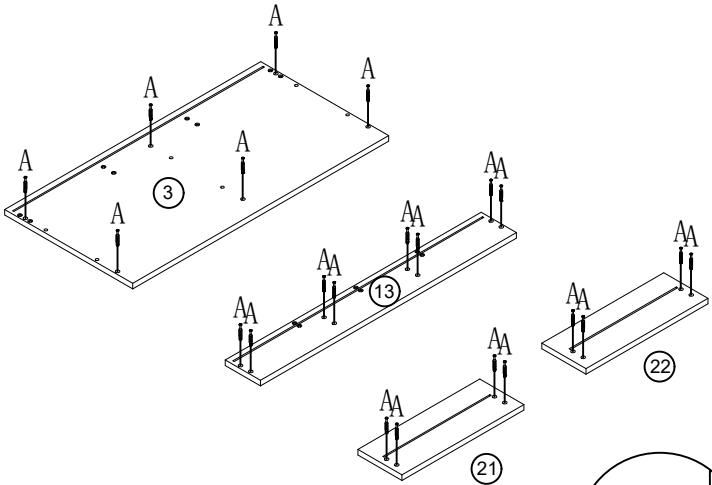
CL/CR\*1



3.5\*14mm

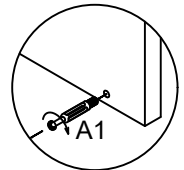
D\*4

2

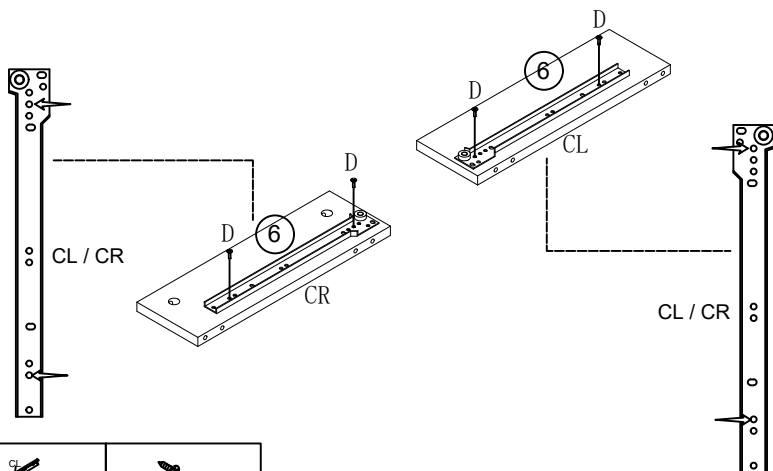


40mm

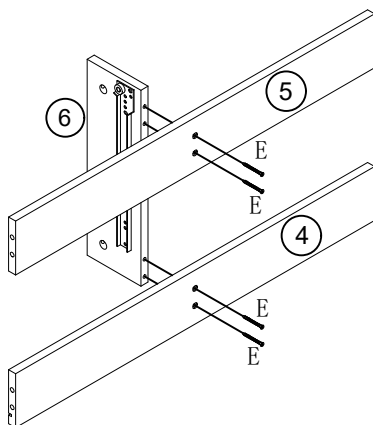
A\*22



3

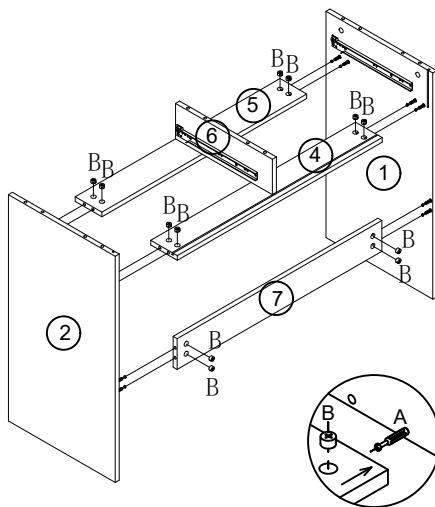


4



E\*4

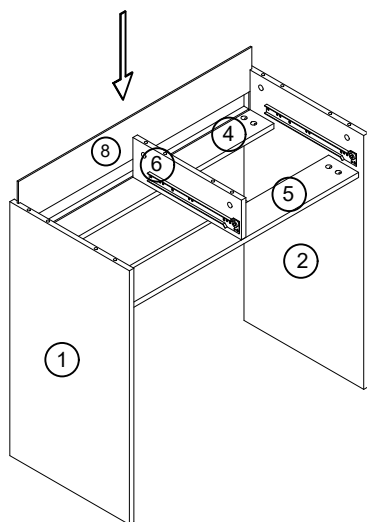
5



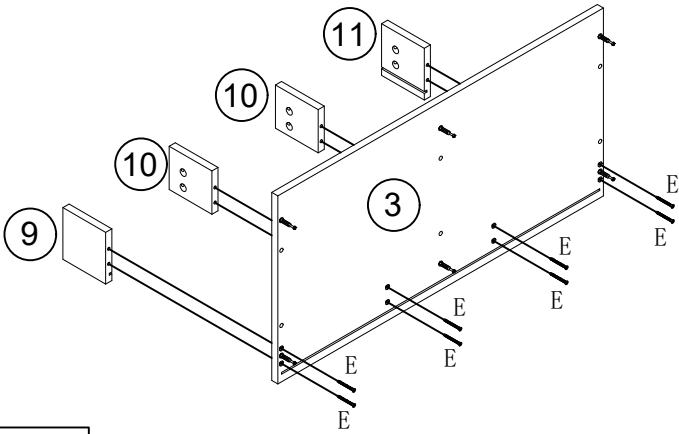
15\*11

B\*12

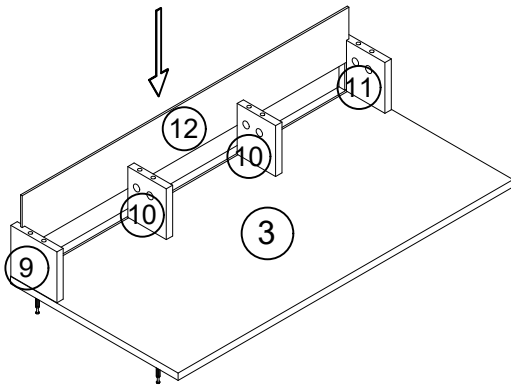
6



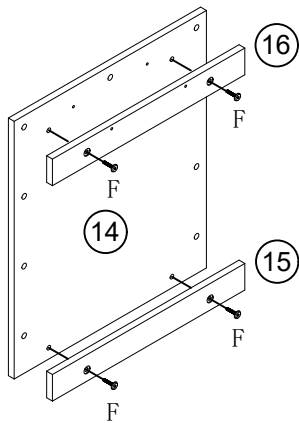
7



8



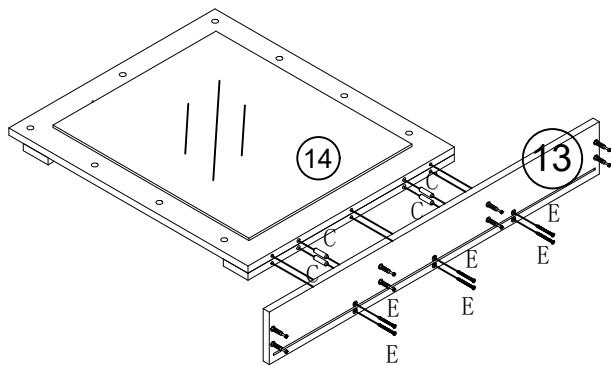
9



6\*20mm

F\*4

10



5\*40mm

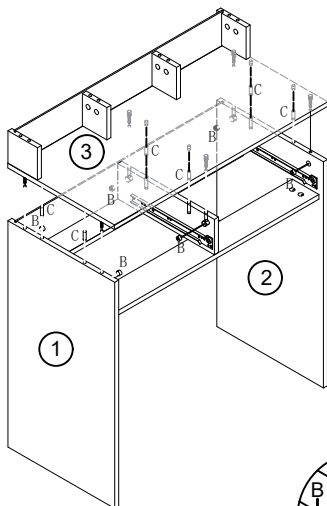
E\*6



8\*30mm

C\*4

11



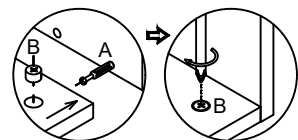
15\*11

B\*6

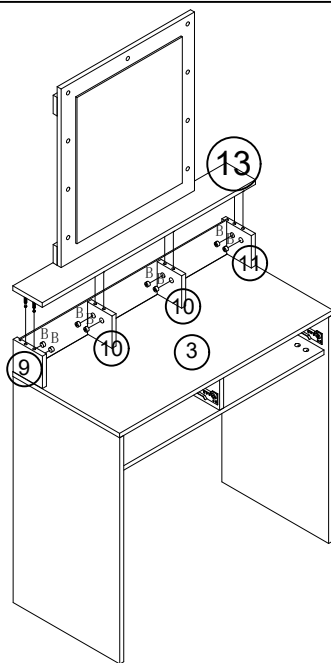
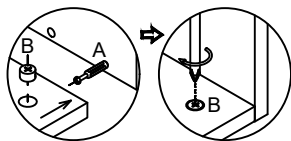


8\*30mm

C\*6



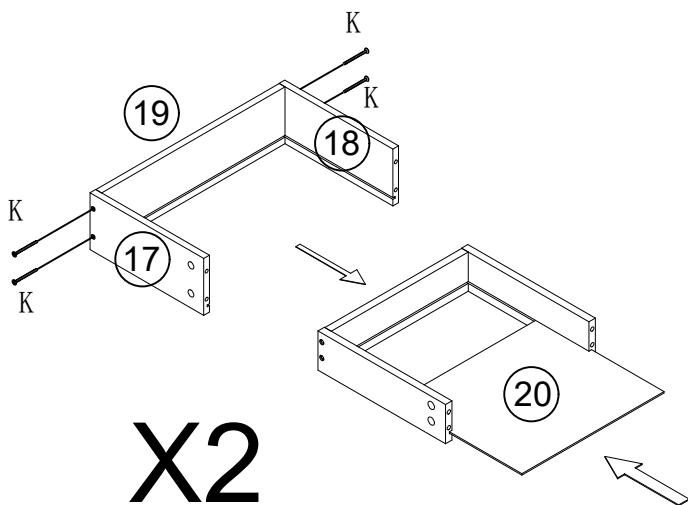
12



15\*11

B\*8

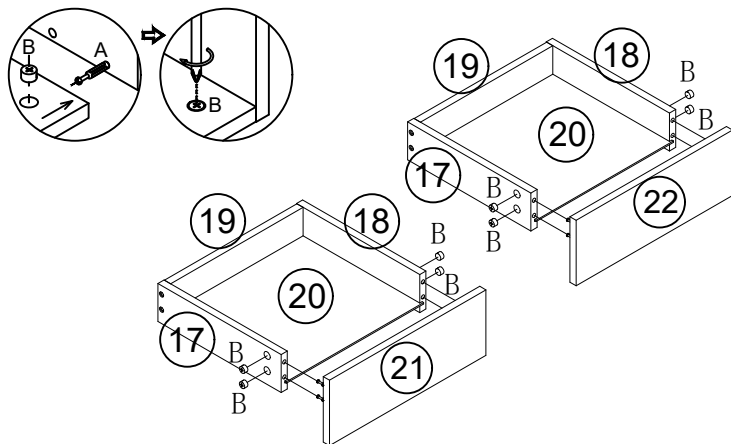
13



4\*30mm

K\*8

14

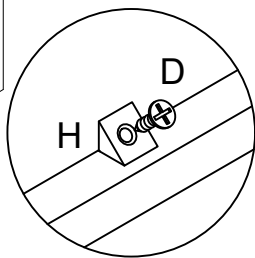
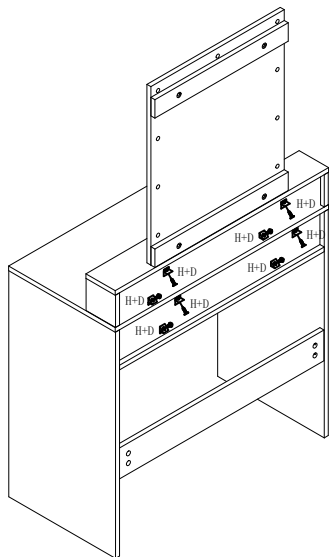


15\*11

B\*8



17

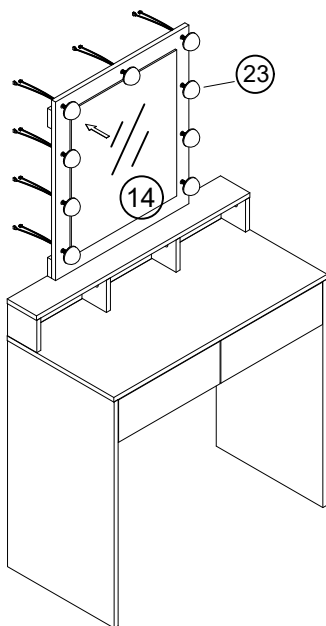
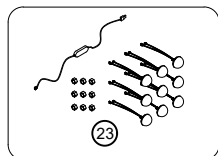
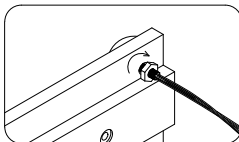
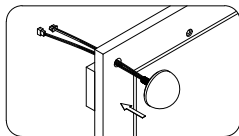


3.5\*14mm

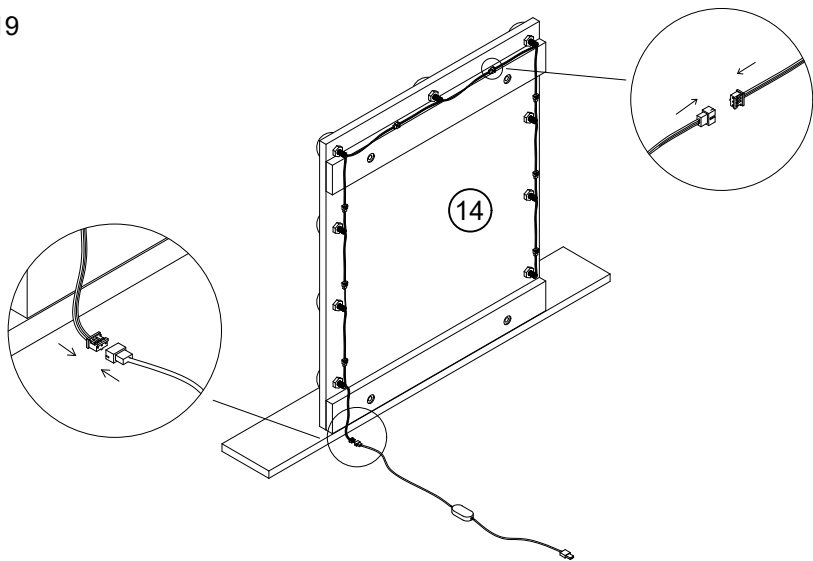
H\*8

D\*8

18

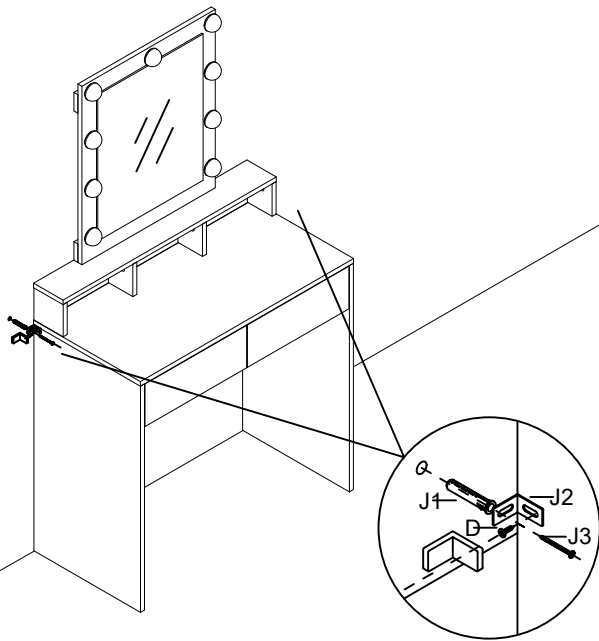






19



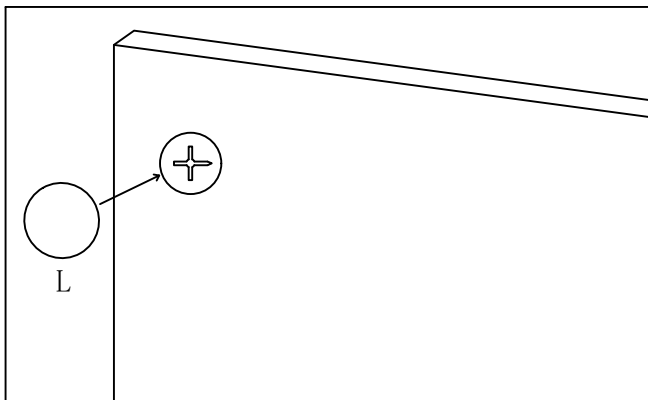
20

WALL



			
J*2			D*2
3.5*14mm			

21



EN: After installing the product, stick the number L on the perforated position



S\*34