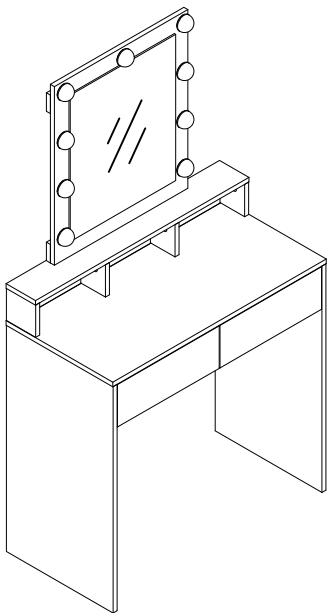


412-000003

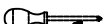
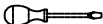


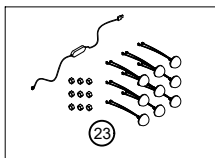
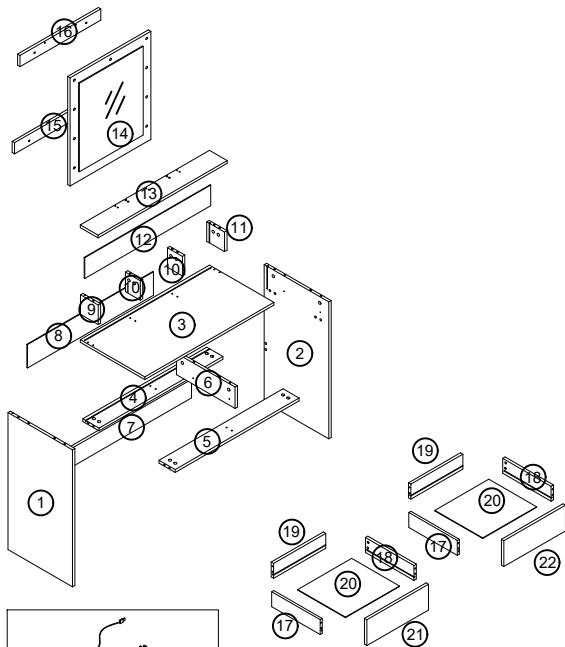
2PERS



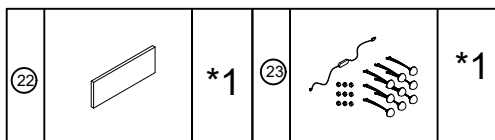
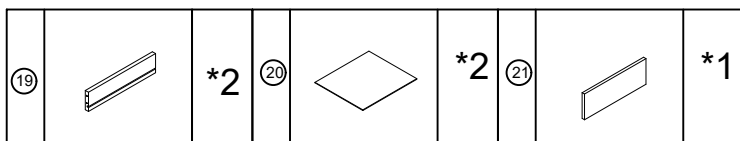
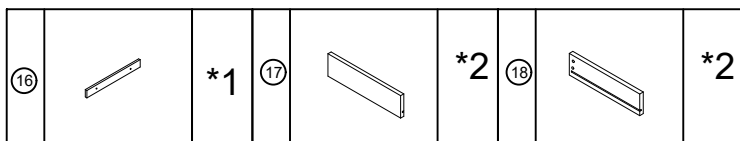
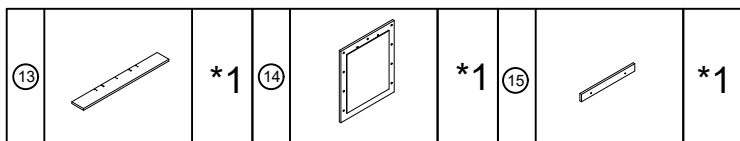
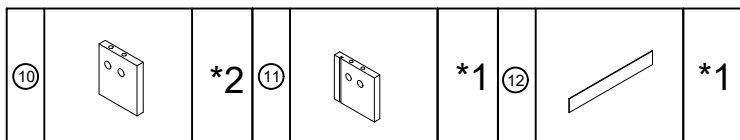
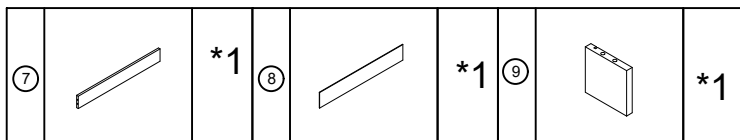
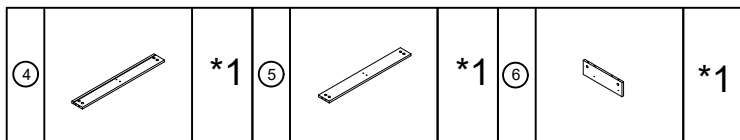
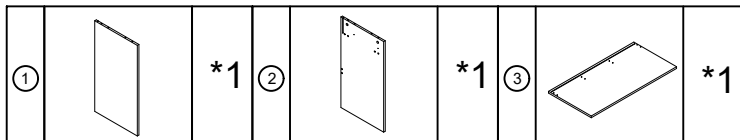
60 MIN

Tool Required Not Provided







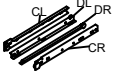










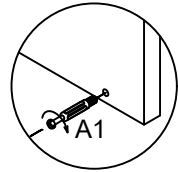
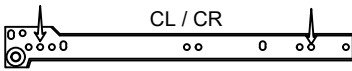
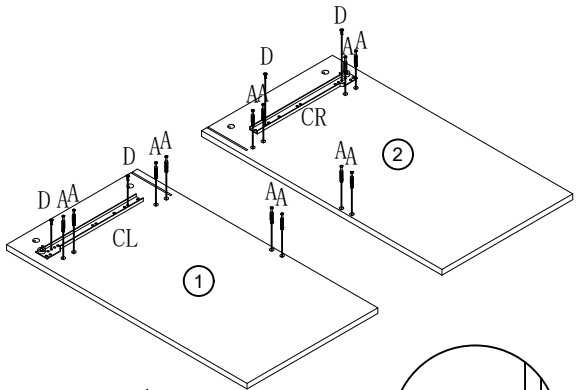
Part List



Hardware List

 40mm	 15*11	 8*30mm	 3.5*14mm
A*34	B*34	C*10	D*26
 5*40mm	 6*20mm		
E*18	F*4	*2	H*8
 J1  J2  J3	 4*30mm		
J*2	K*8	L*34	

1



40mm



CL/CR*1

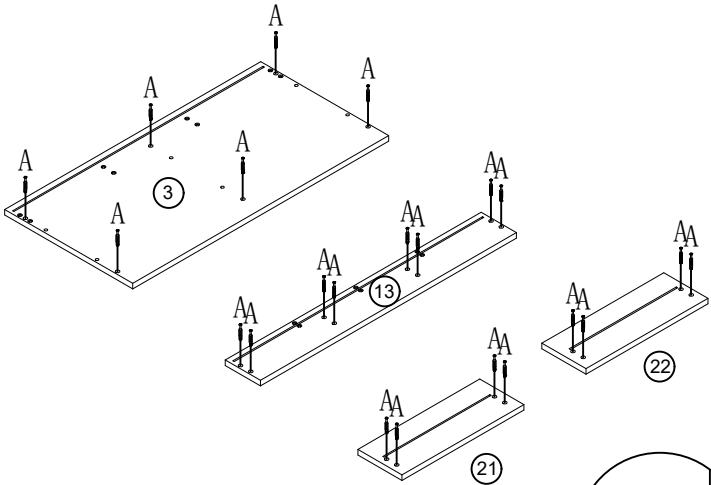


3.5*14mm

A*12

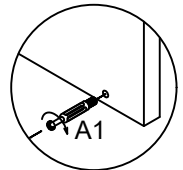
D*4

2

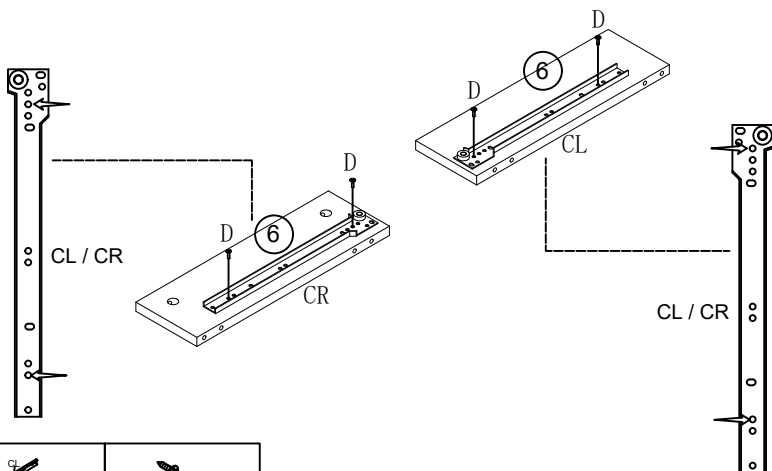


40mm

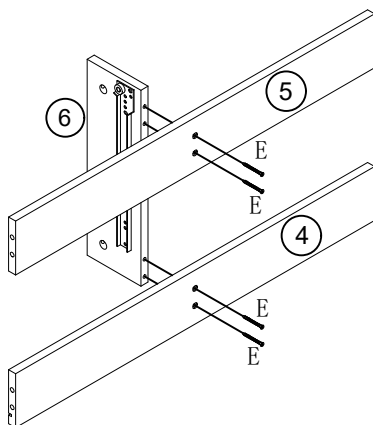
A*22



3

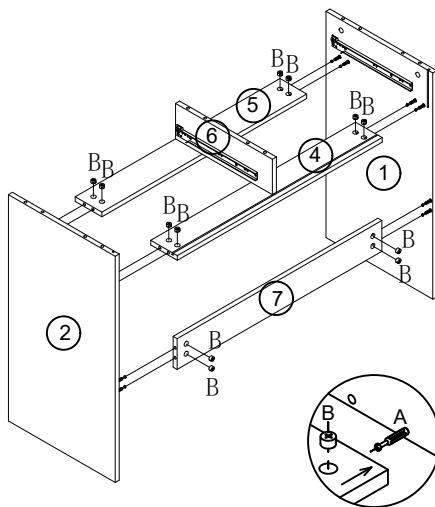


4



E*4

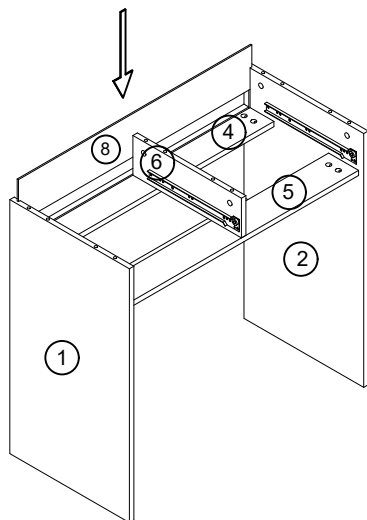
5



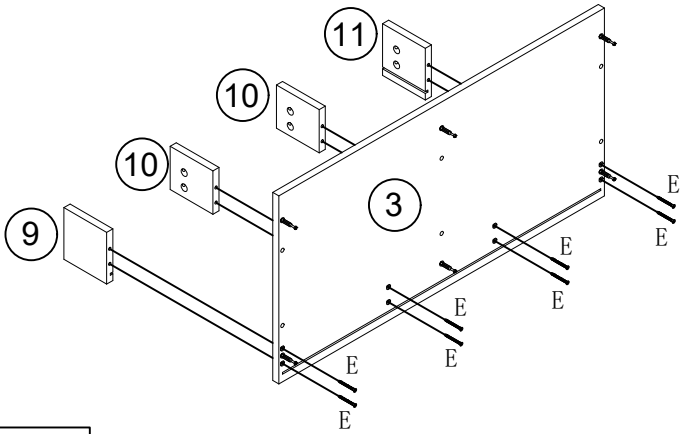
15*11

B*12

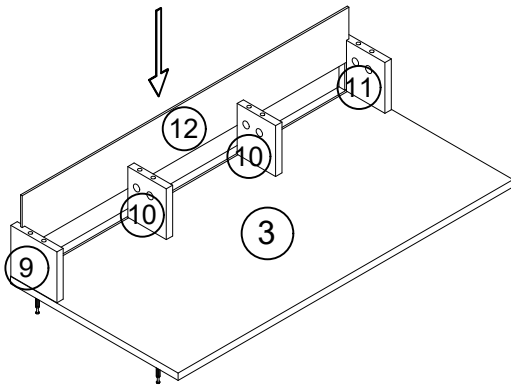
6



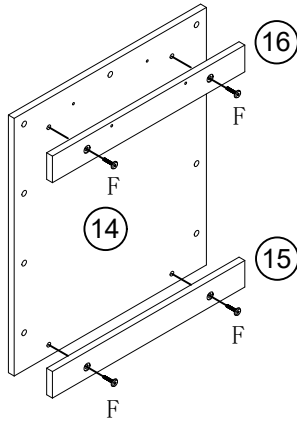
7



8



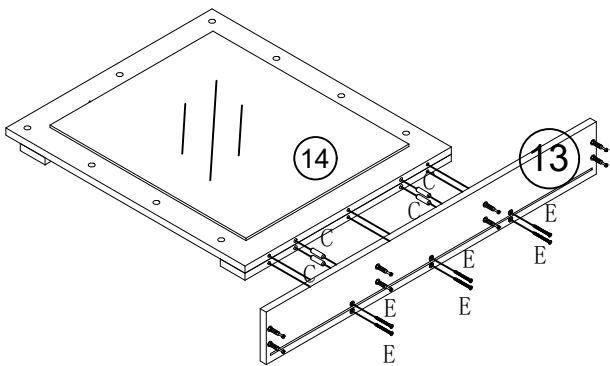
9



6*20mm

F*4

10



5*40mm

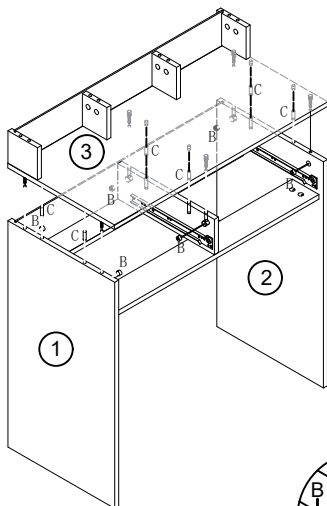
E*6



8*30mm

C*4

11



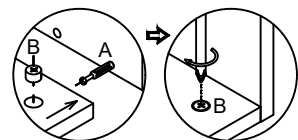
15*11

B*6

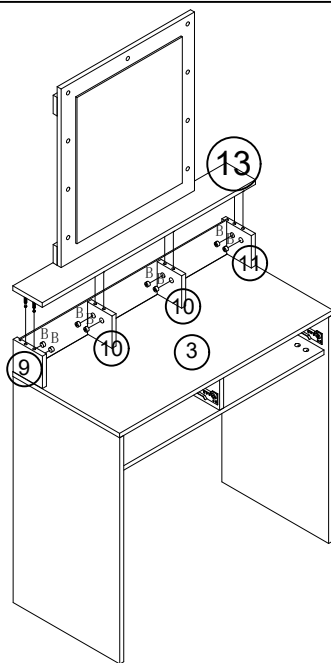
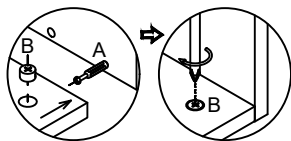


8*30mm

C*6



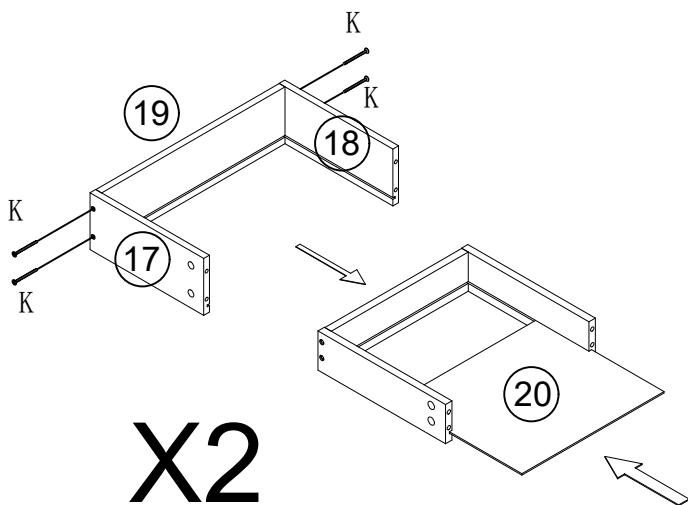
12



15*11

B*8

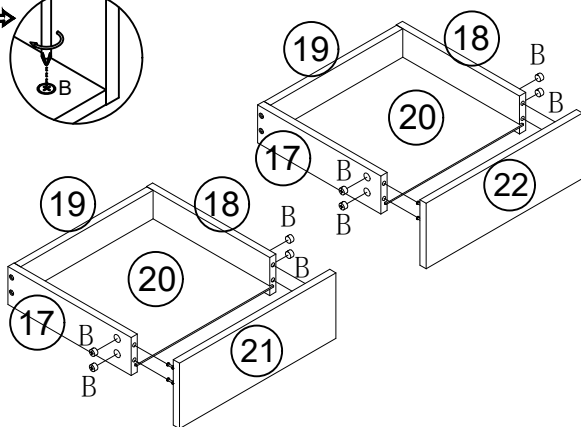
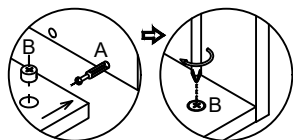
13



4*30mm

K*8

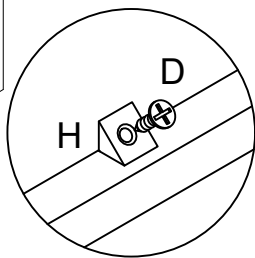
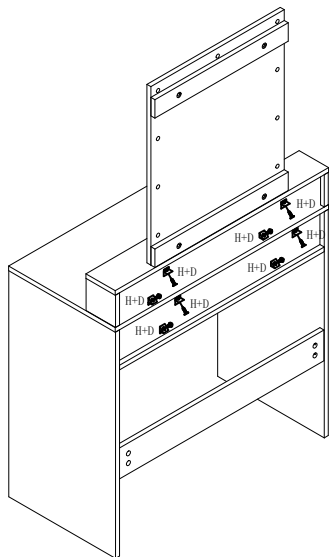
14



15*11

B*8

17

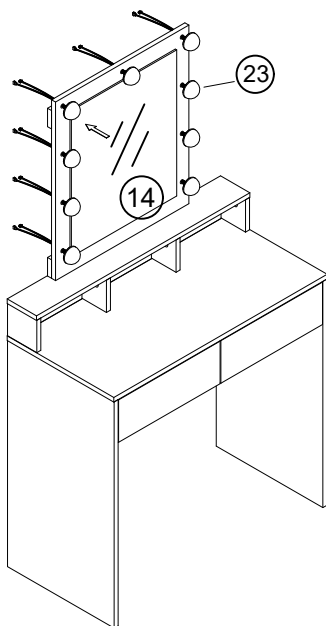
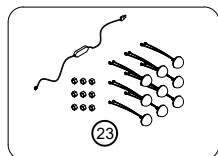
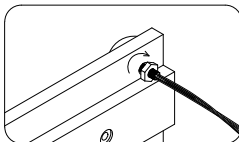
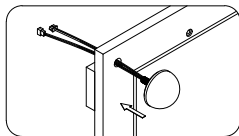


3.5*14mm

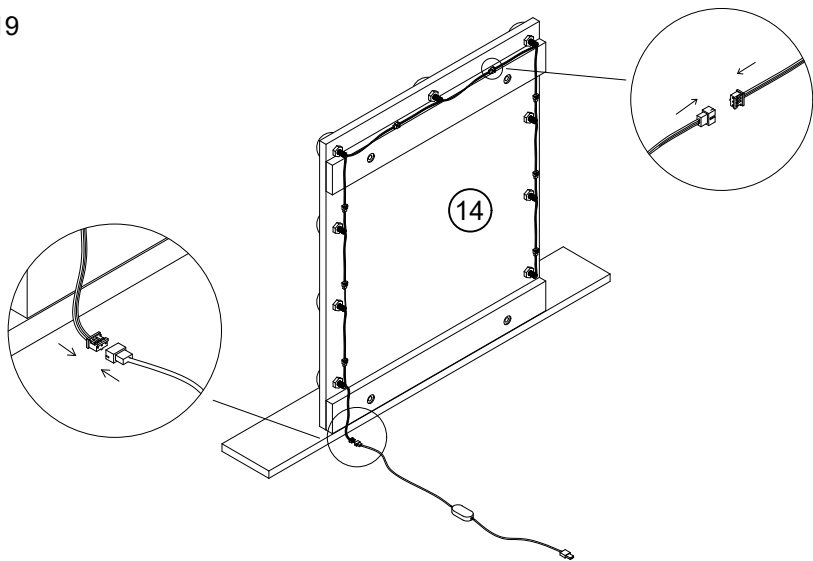
H*8

D*8

18

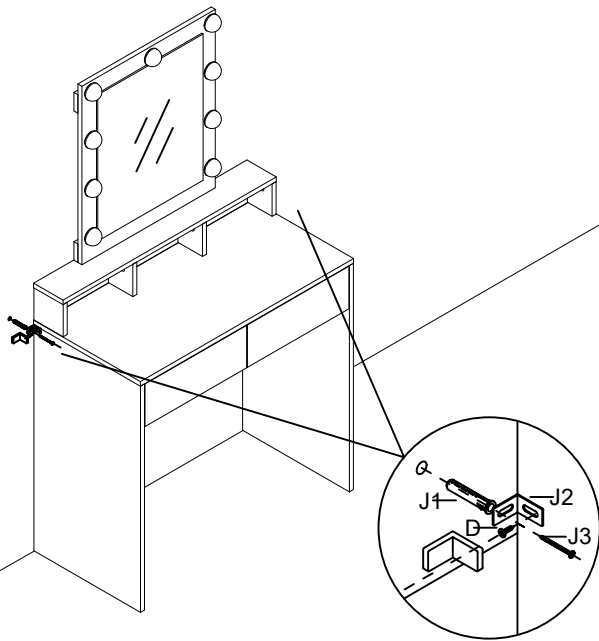






19



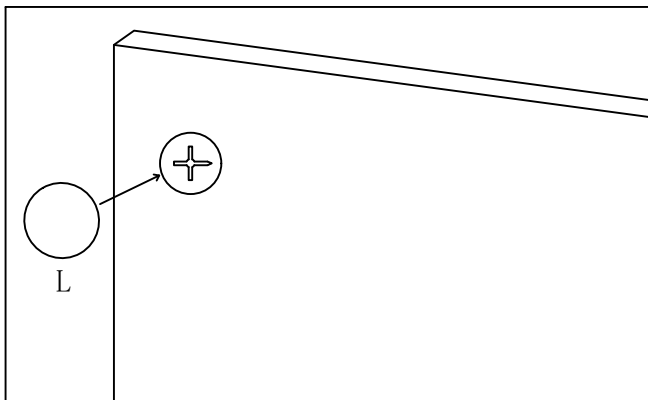
20

WALL



			
J*2	3.5*14mm		D*2

21



EN: After installing the product, stick the number L on the perforated position



S*34