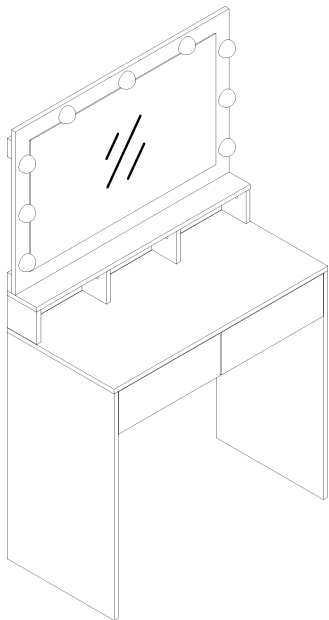
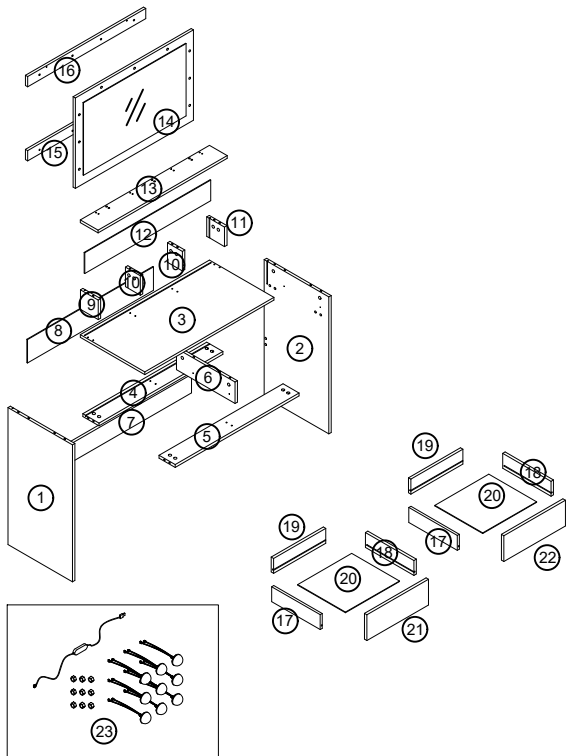
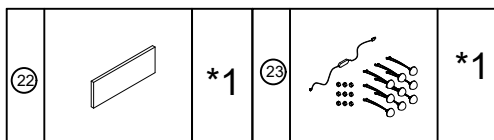
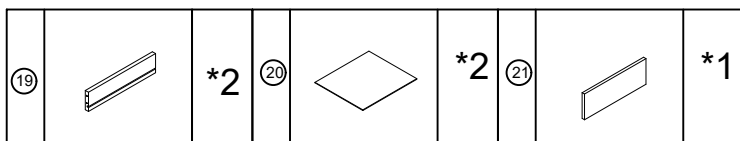
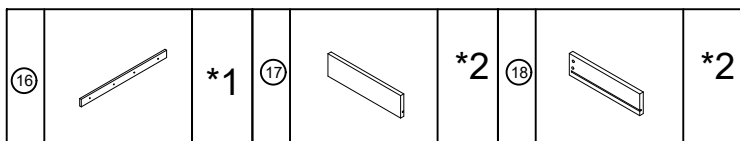
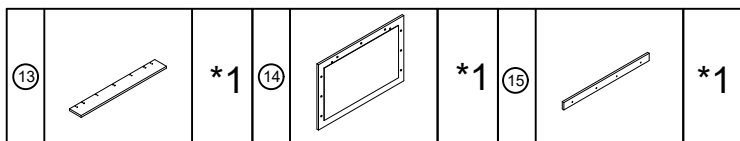
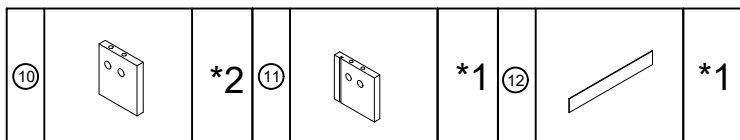
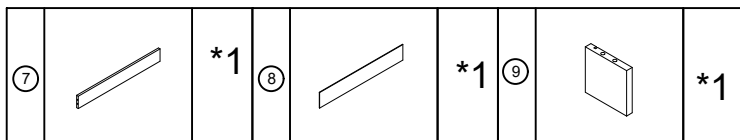
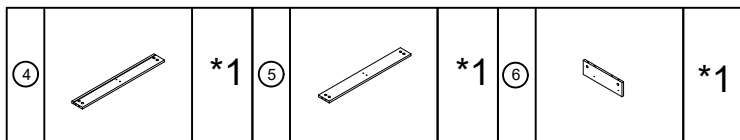
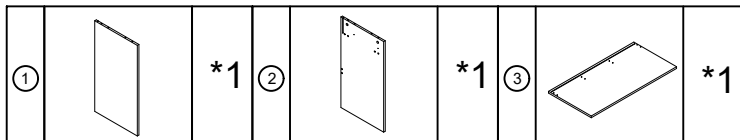


412-000002







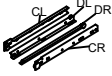










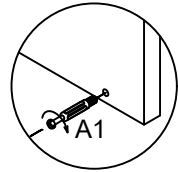
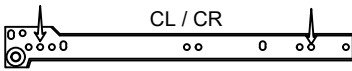
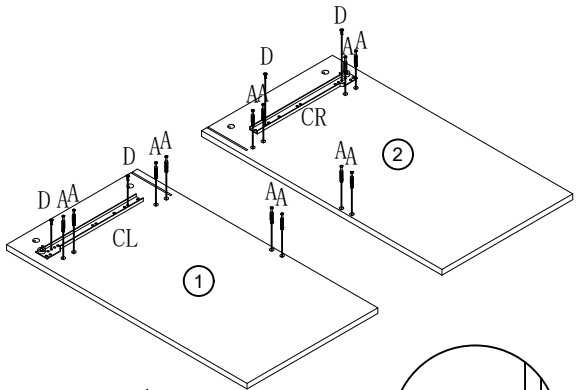
Part List



Hardware List

 40mm	 15*11	 8*30mm	 3.5*14mm
A*34	B*34	C*12	D*26
 5*40mm	 6*20mm		
E*20	F*8	*2	H*8
 J1  J2  J3	 4*30mm		
J*2	K*8	L*34	

1



40mm

A*12



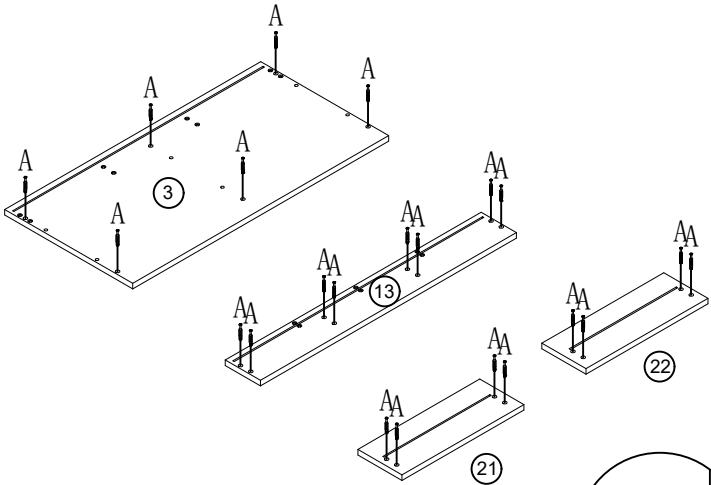
CL/CR*1



3.5*14mm

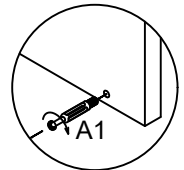
D*4

2

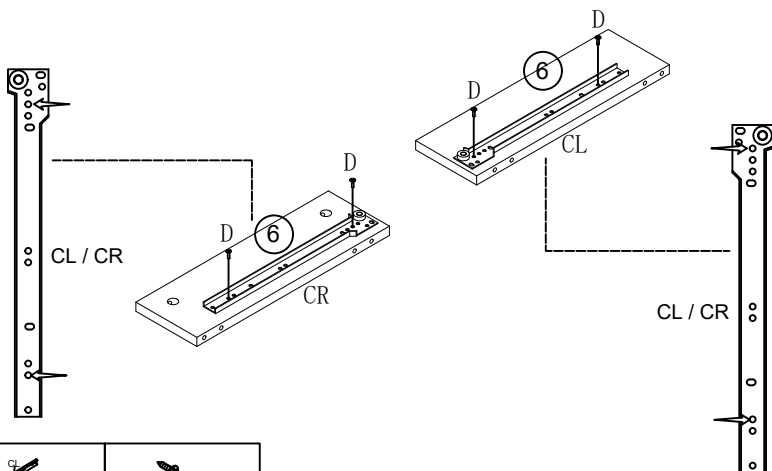


40mm

A*22



3



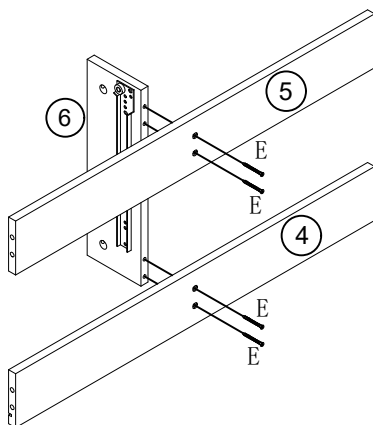
CL/CR*1



3.5*14mm

D*4

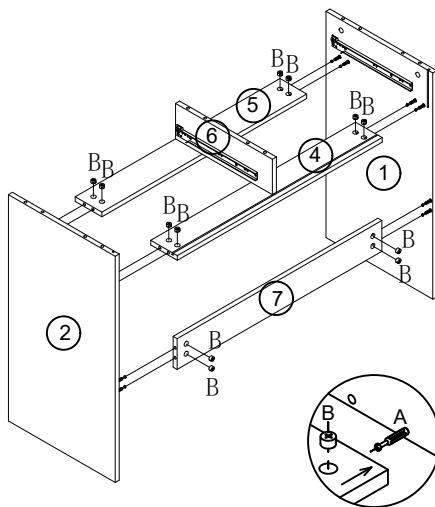
4



5*40mm

E*4

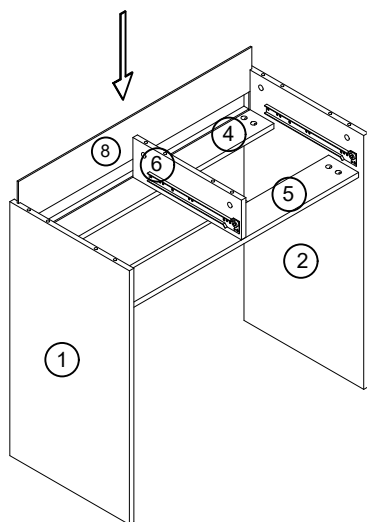
5



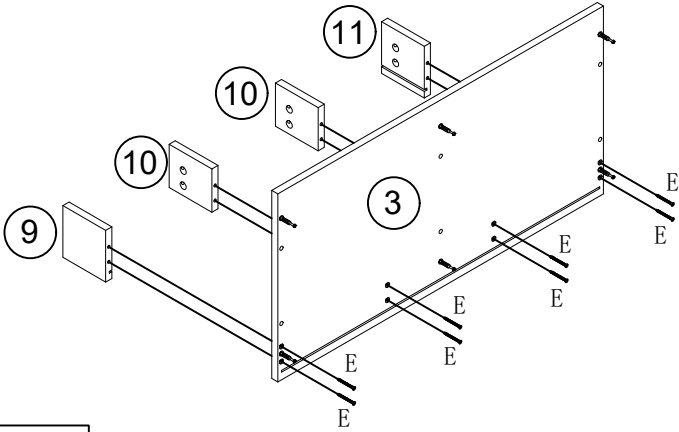
15*11

B*12

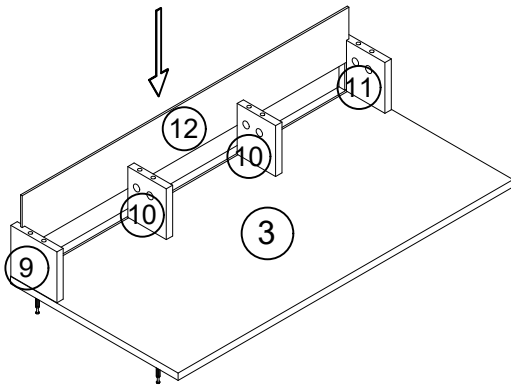
6



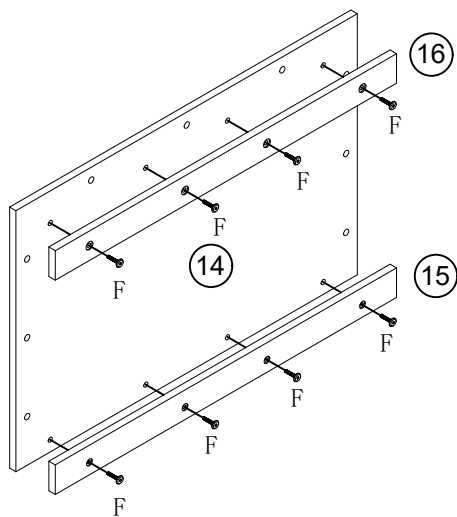
7



8



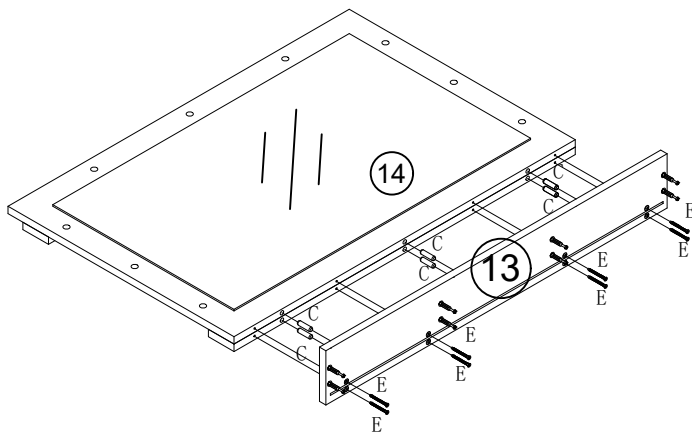
9



6*20mm

F*8

10



5*40mm

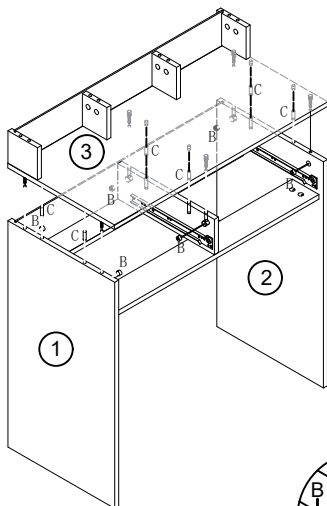
E*8



8*30mm

C*6

11



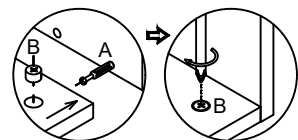
15*11

B*6

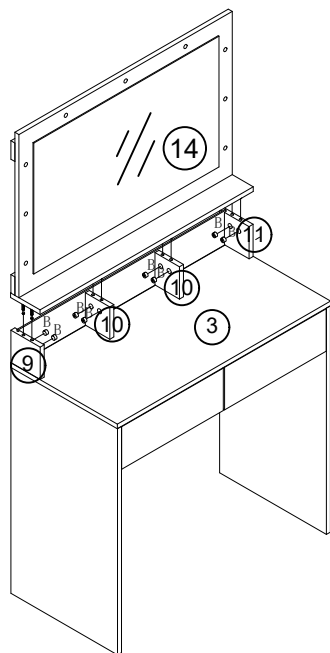
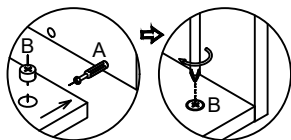


8*30mm

C*6



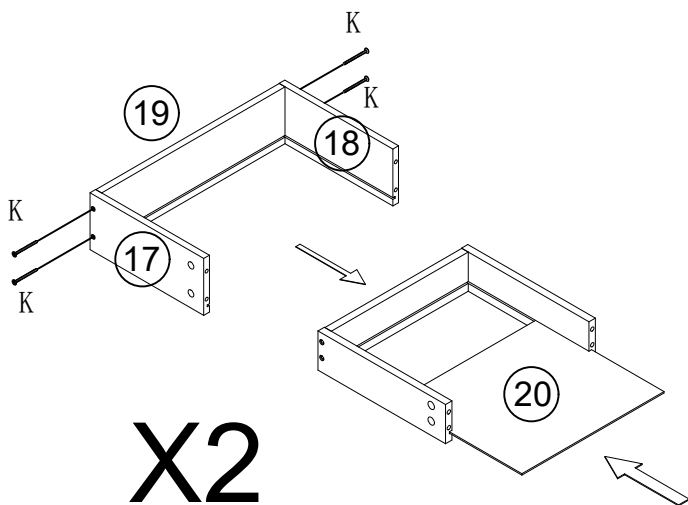
12



15*11

B*8

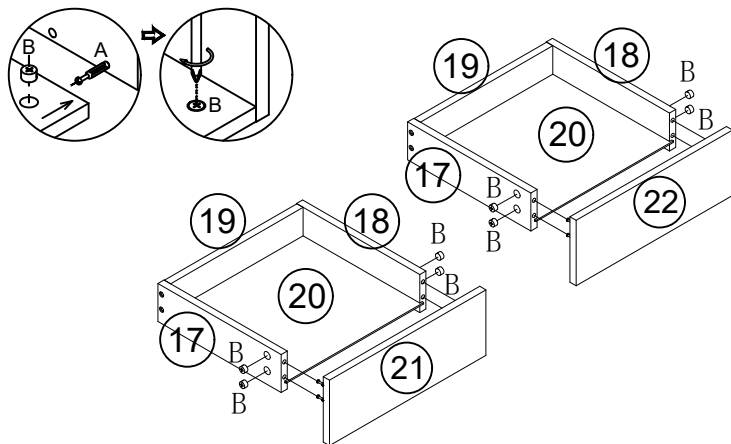
13



4*30mm

K*8

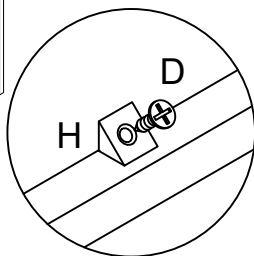
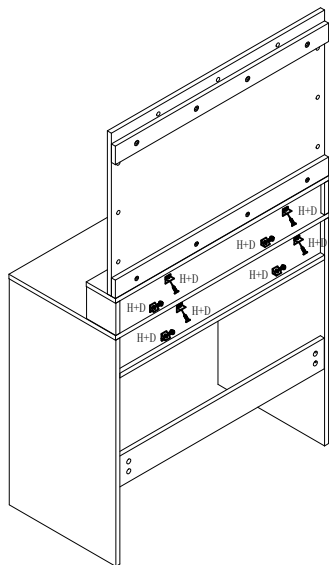
14



15*11

B*8

17

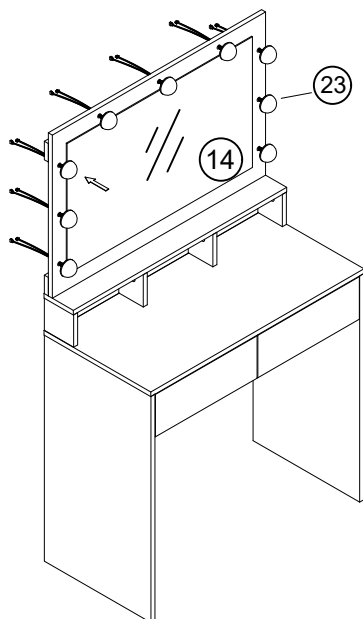
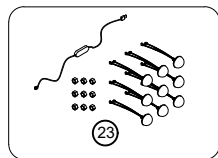
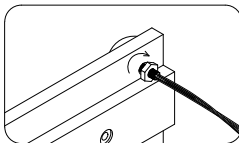
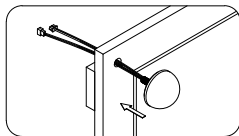


3.5*14mm

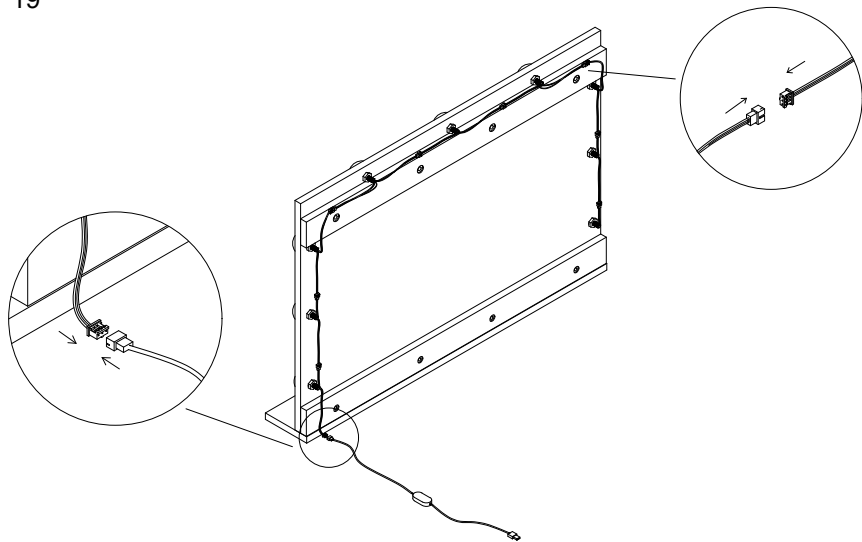
H*8

D*8

18

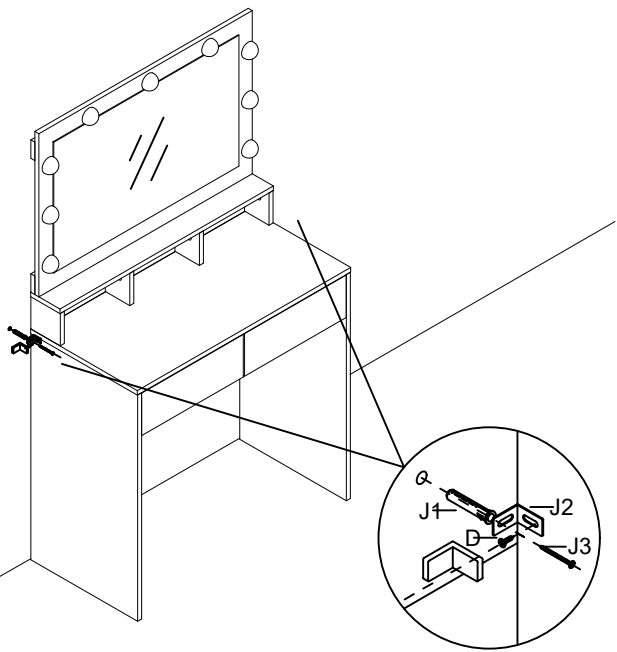






19



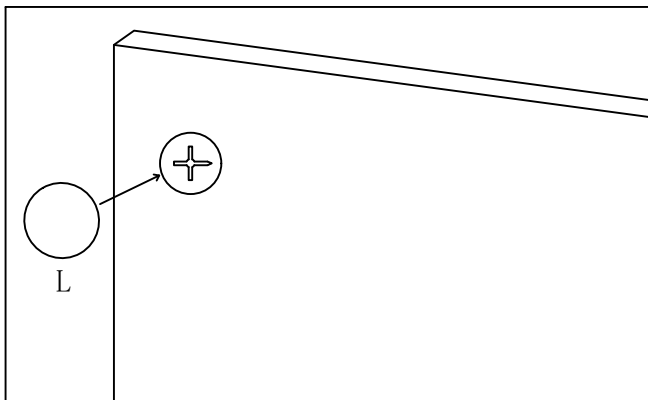
20

WALL



			
J*2		D*2	
3.5*14mm			

21



EN: After installing the product, stick the number L on the perforated position.



S*34