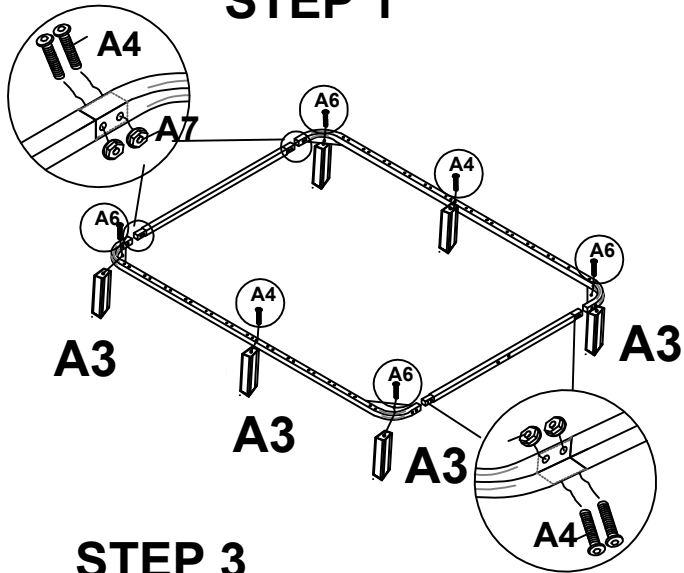
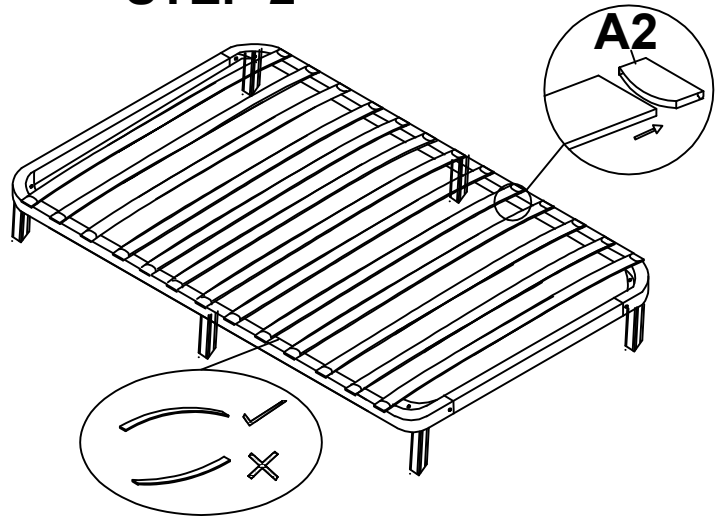


# ASSEMBLY INSTRUCTION

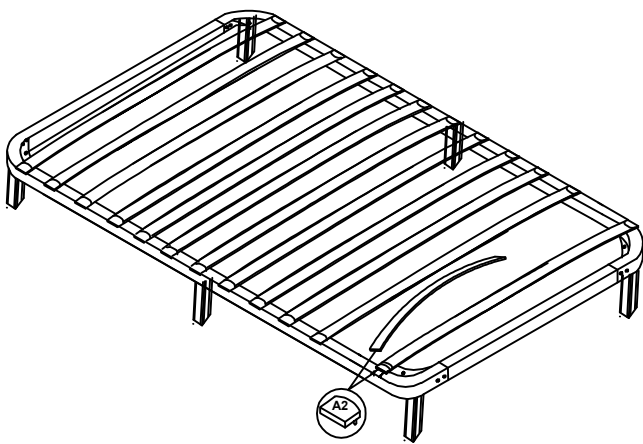
## STEP 1



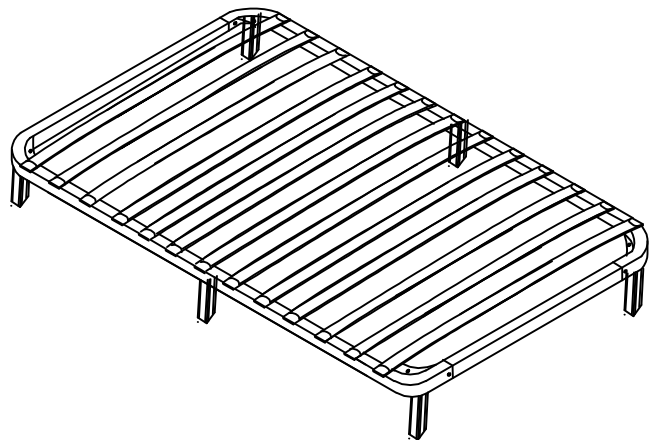
## STEP 2









## STEP 3



## FINISHED



End slat cap X 28pcs	Iron leg X 6pcs	Bolts X 10pcs	Bolts X 4pcs	Nuts X 8pcs
A2 	A3 	A4  M8*35MM	A6  M8*16MM	A7 
Wood slats X 14pcs	Allen Key X 1pcs	Bed frame X 2pcs	Middle support X 1pcs	Bed frame 2 X 2pcs
A8 	A9 