

ASSEMBLY INSTRUCTIONS

FOUR-DOOR WARDROBE WITH 2 DRAWERS ATHOS PAKOWORLD IN SONOMA-ANTHRACITE

383-000213



IMPORTANT

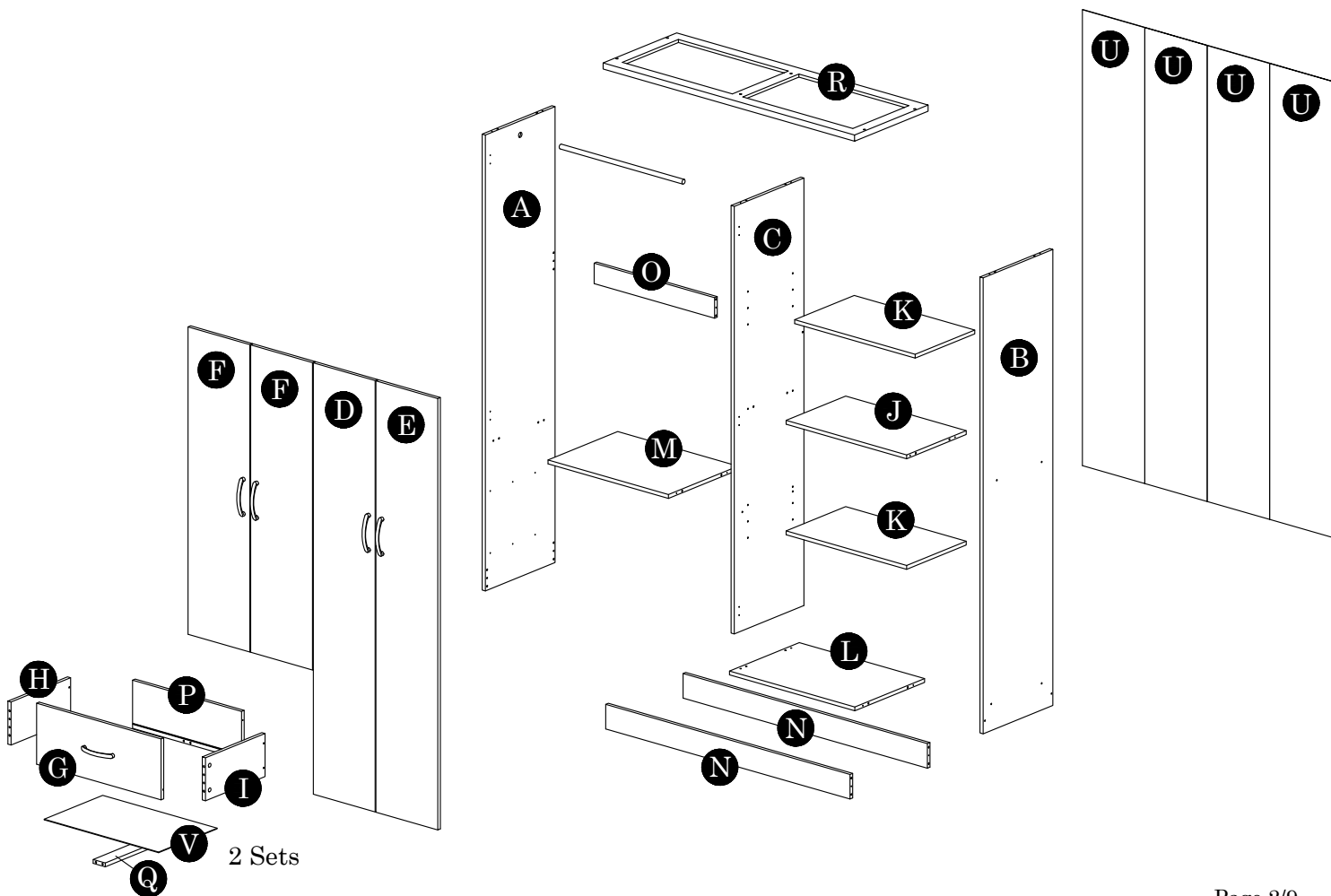
PLEASE READ BEFORE YOU CONTINUE FURTHER

1. MATERIAL USE LAMINATED PARTICLE BOARD, TO CLEAN USE SOFT, DRY CLOTH.
2. DO NOT USE DETERGENT OR CHEMICAL AVOID CONTACT WITH WATER AND DIRECT SUNLIGHT.
3. TO BE ASSEMBLED ON A SOFT, DRY, CLEAN SMOOTH SURFACE.
4. DO NOT USE ANY TOOLS OTHER THAN THOSE SHOWN.
5. USE OF POWER TOOLS TO ASSEMBLE THIS PRODUCT WILL INVALIDATE ANY CLAIM AND MAY DAMAGE THIS PRODUCT MAKING IT UNSAFE.
6. BEFORE STARTING ASSEMBLY PLEASE VERIFY IF ALL PARTS AND HARDWARE ARE INCLUDED.

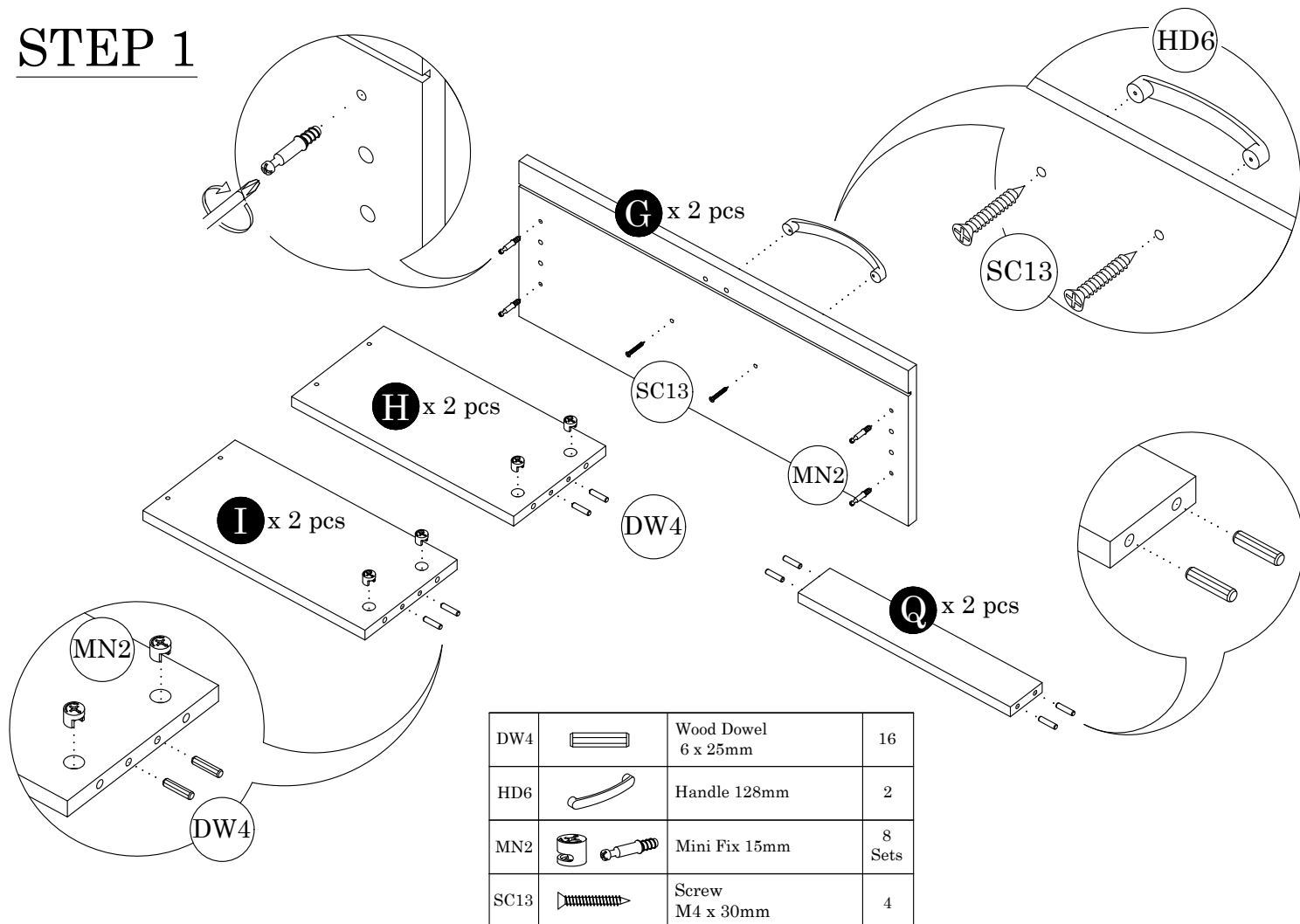
HARDWARE LIST			QTY (pcs)
DH4		Soft Closing Hinges 2/8	5 Sets
DH5		Soft Closing Hinges 5/8	5 Sets
DR2		Door Stopper	2
DW4		Wood Dowel 6 x 25mm	46
HD6		Plastic Handle 128mm	6
HSP23		Hanging Steel Pipe 19mm x 588mm	1
LG1		Leg Pin	6
MF2		Nail	80 (+3)
MN2		Mini Fix 15mm	8 Sets
PF2		Single Plastic Cap	4
PF11		Small L Bracket	2
SC3		Screw M3.5 x 14mm	104
SC13		Screw M4 x 30mm	12
SC18		Screw M4 x 38mm	8
SC25		FH Screw M5 x 40mm	24
SH4		Plastic Shelf Support with Steel Pin	8
SL7		Round Sticker	18
SK2		Drawer Metal Slide 350mm	2 Sets



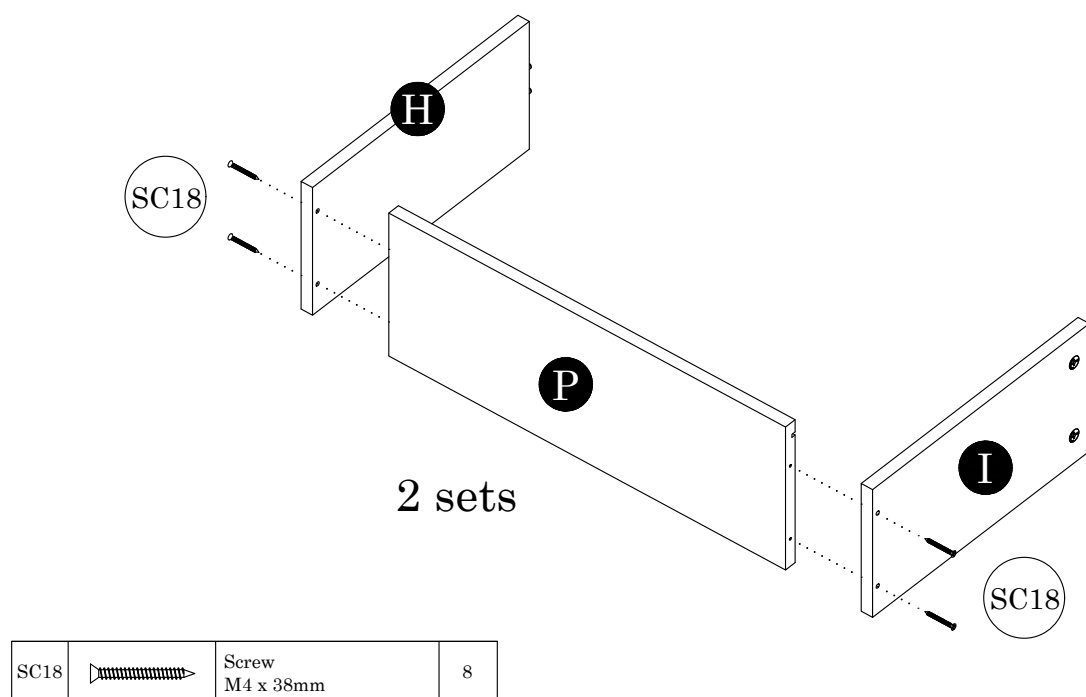
Parts List		QTY
A	Side Panel (L)	1 pc
B	Side Panel (R)	1 pc
C	Big Center Panel	1 pc
D	Big Door Panel (L)	1 pc
E	Big Door Panel (R)	1 pc
F	Door Panel	2 pcs
G	Drawer Front Panel	2 pcs
H	Drawer Side Panel (L)	2 pcs
I	Drawer Side Panel (R)	2 pcs
J	Shelf Panel	1 pc
K	Free Shelf Panel	2 pcs
L	Bottom Panel	1 pc
M	Big Shelf Panel	1 pc
N	Bottom Crossbar	2 pcs
O	Small Crossbar	1 pc
P	Drawer Back Board	2 pcs
Q	Drawer Crossbar	2 pcs
R	Top Panel	1 pc
U	Backboard	4 pcs
V	Drawer Bottom Panel	2 pcs



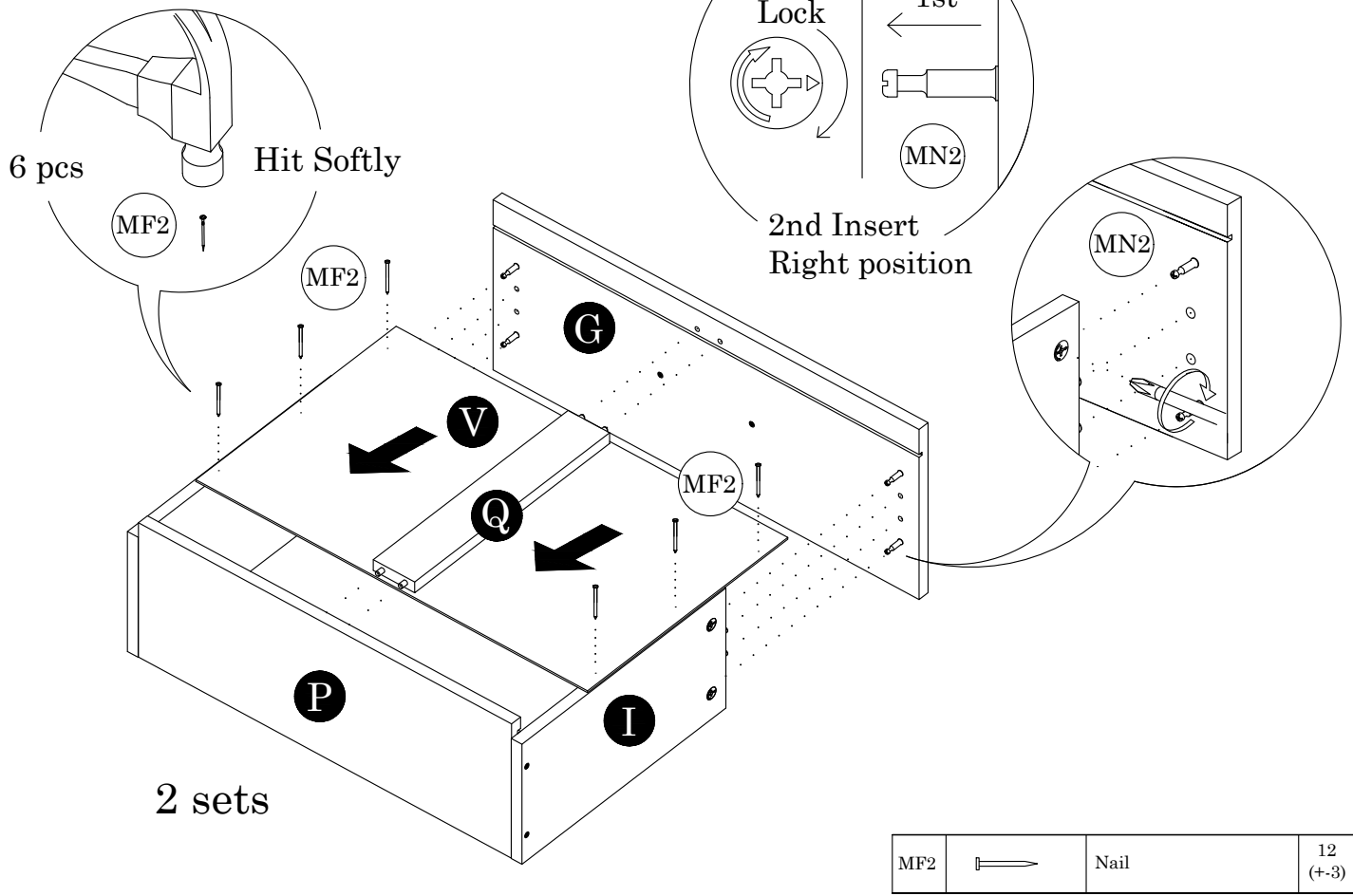
STEP 1



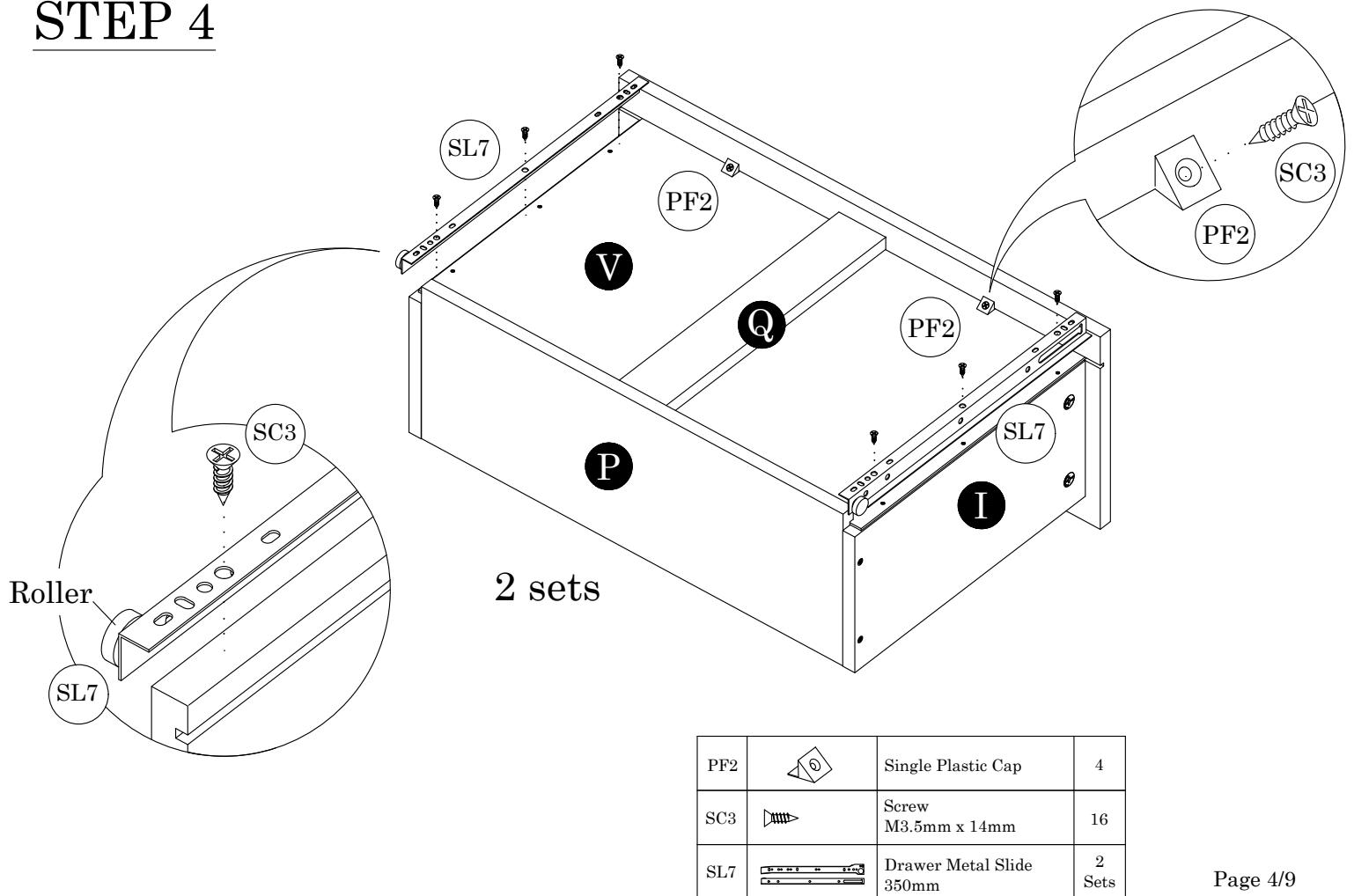
STEP 2



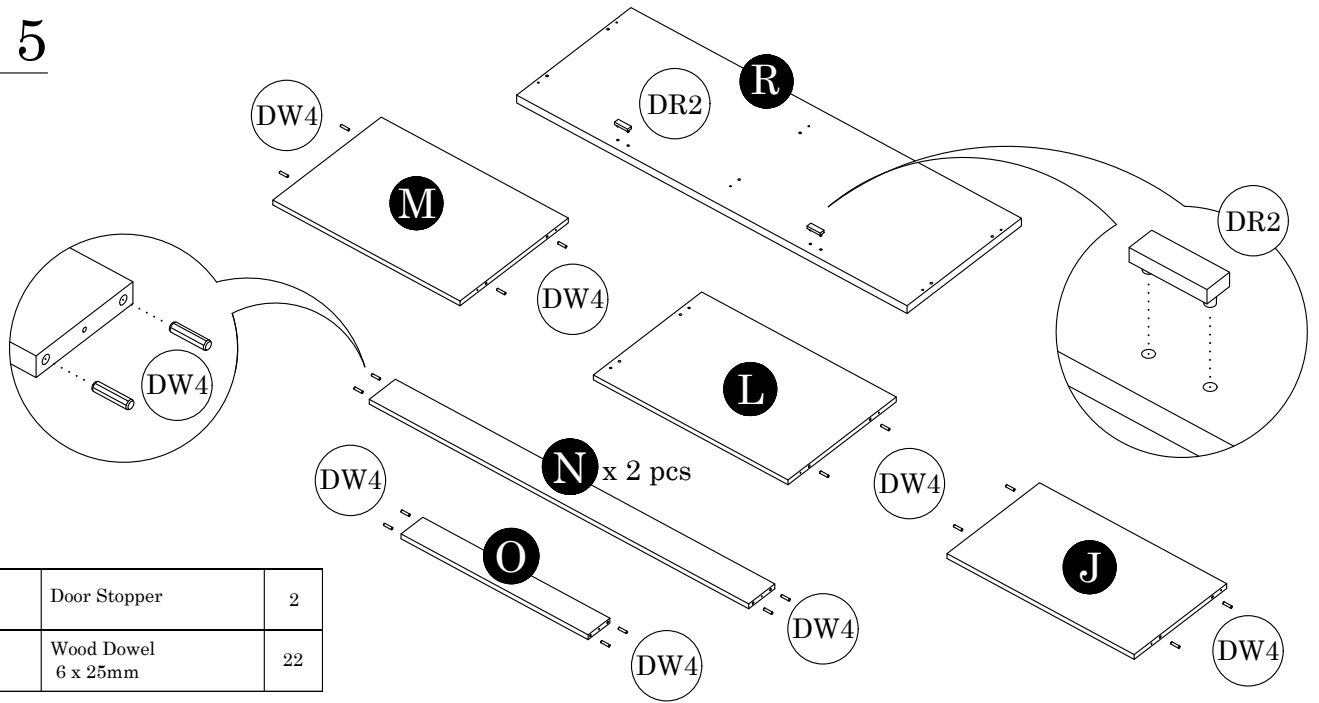
STEP 3



STEP 4

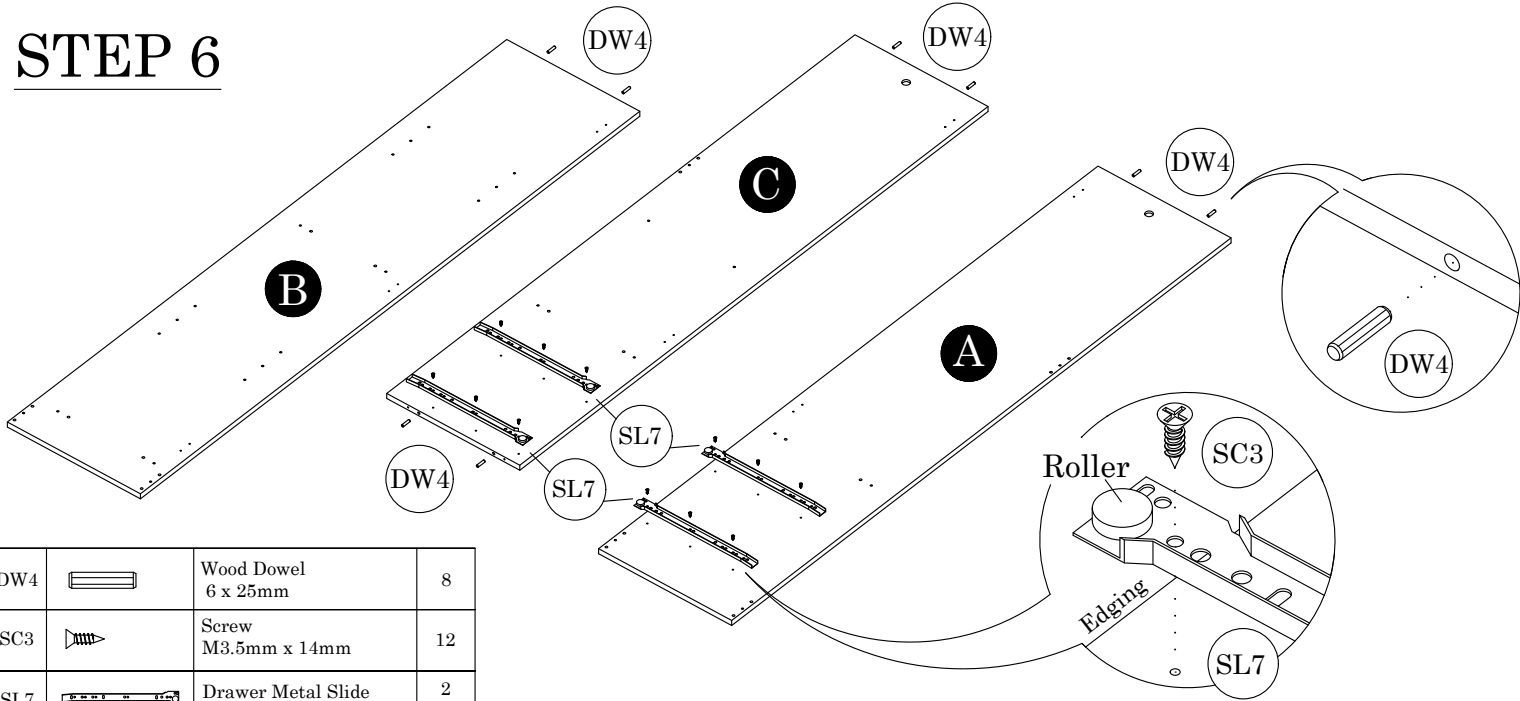


STEP 5



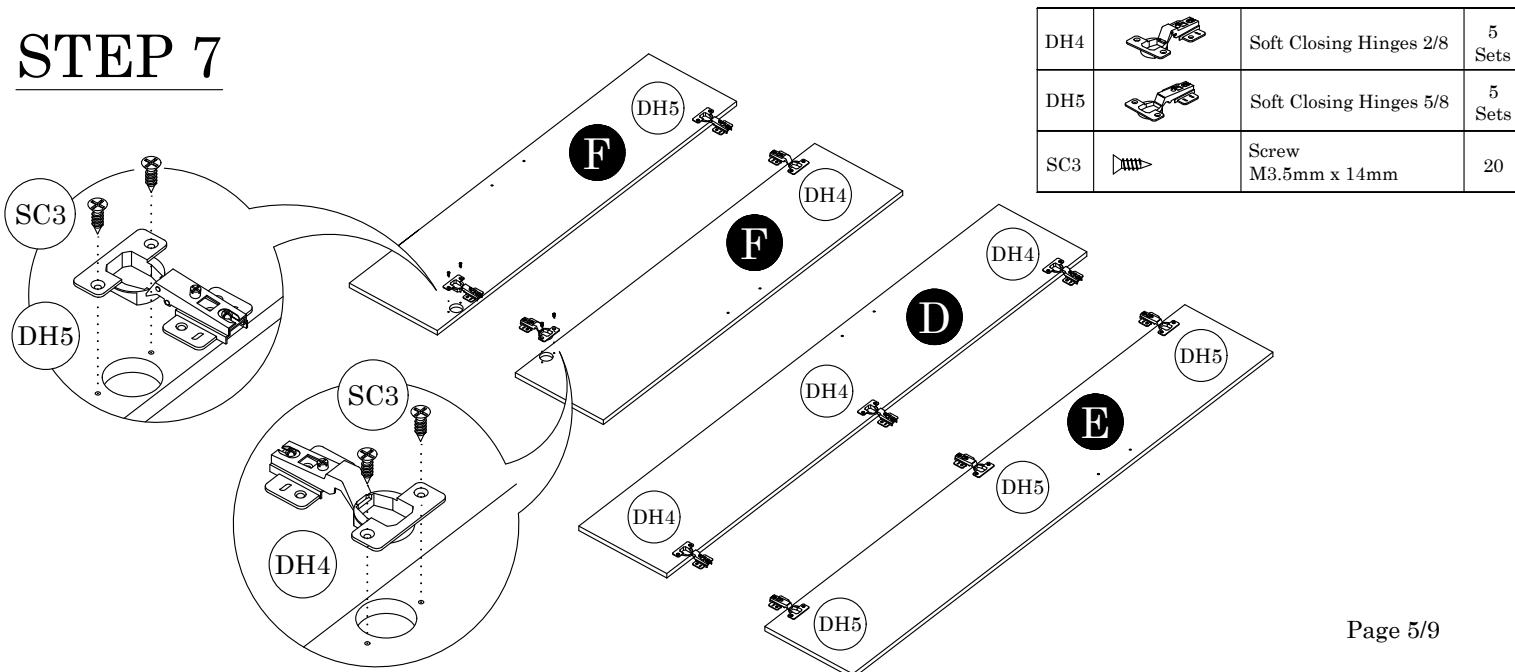
DR2		Door Stopper	2
DW4		Wood Dowel 6 x 25mm	22

STEP 6



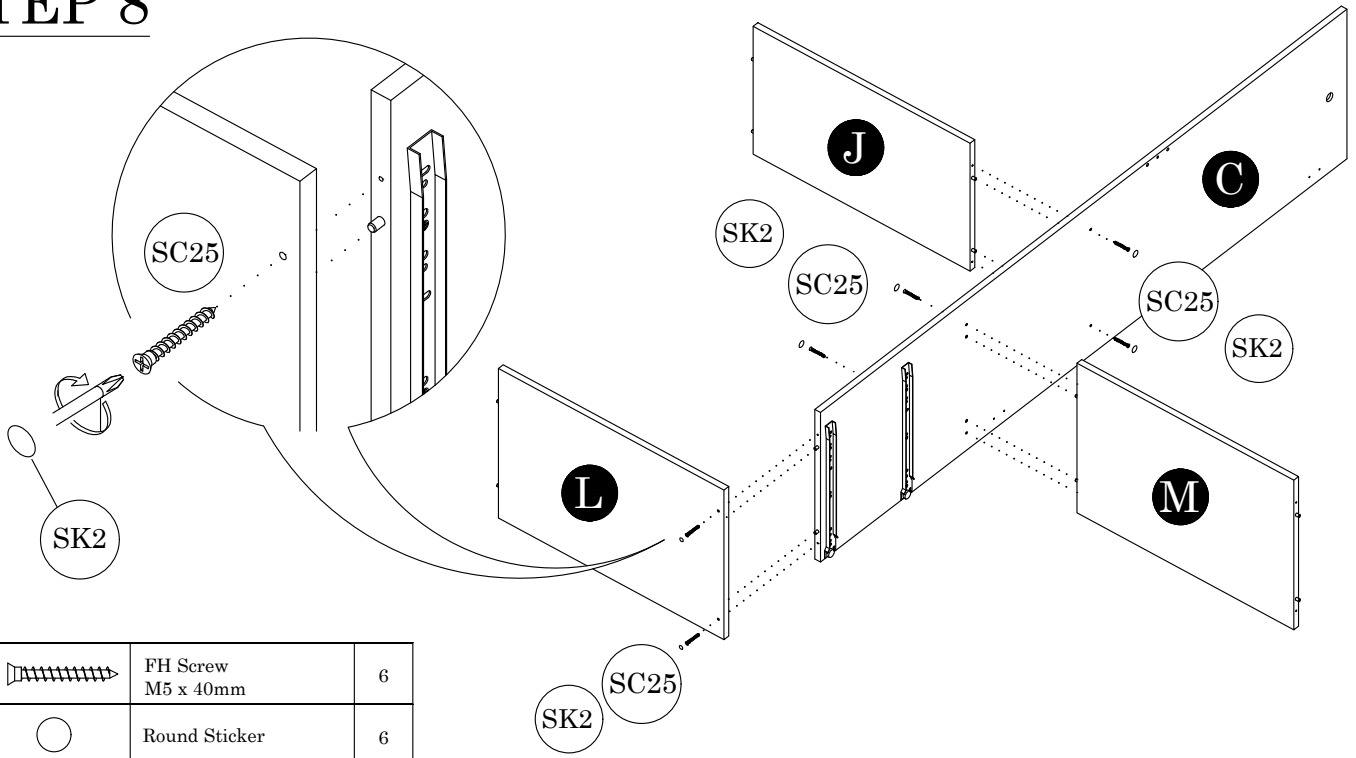
DW4		Wood Dowel 6 x 25mm	8
SC3		Screw M3.5mm x 14mm	12
SL7		Drawer Metal Slide 350mm	2 Sets

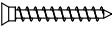

STEP 7



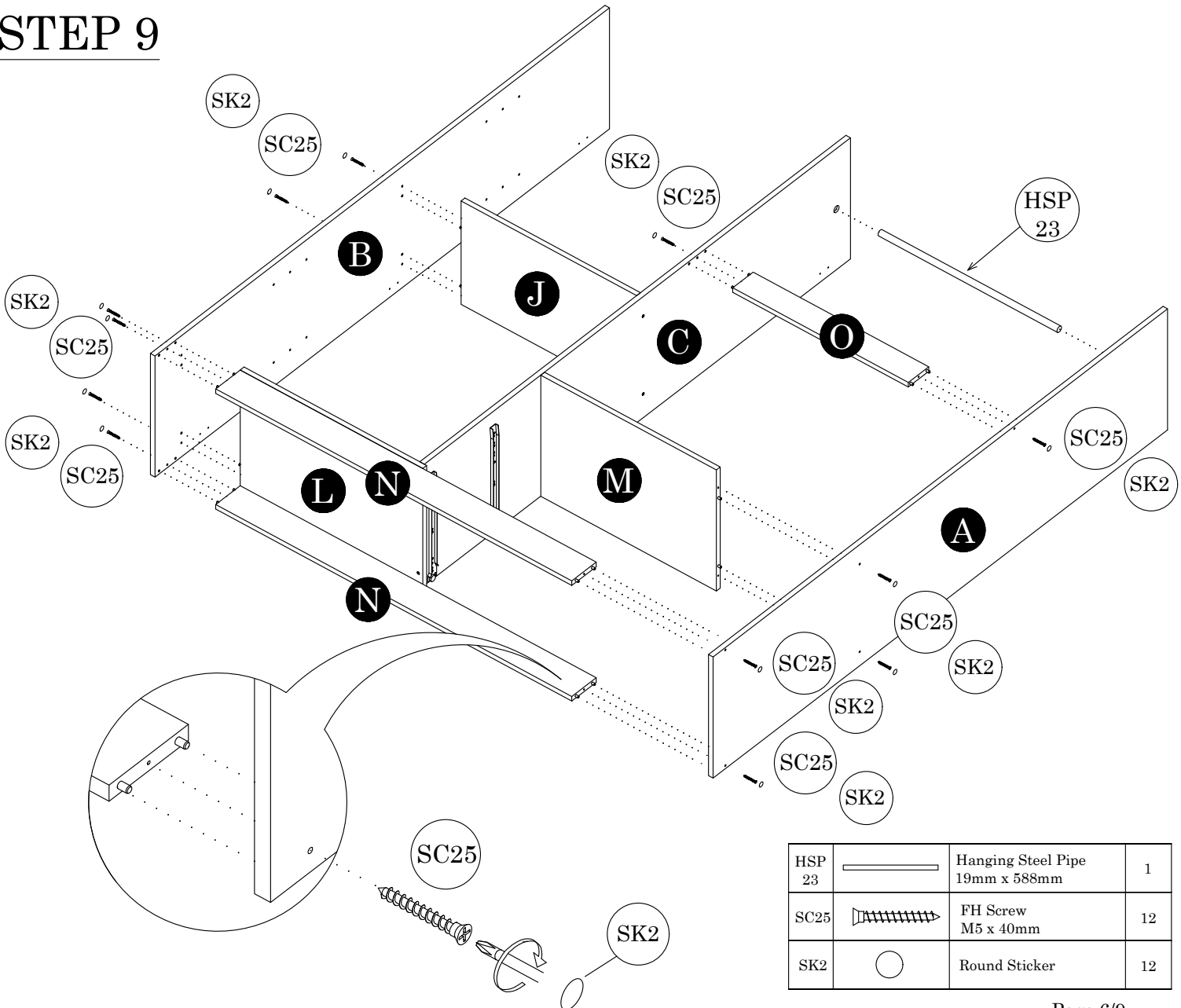
DH4		Soft Closing Hinges 2/8	5 Sets
DH5		Soft Closing Hinges 5/8	5 Sets
SC3		Screw M3.5mm x 14mm	20


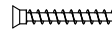

STEP 8



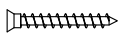
SC25		FH Screw M5 x 40mm	6
SK2		Round Sticker	6

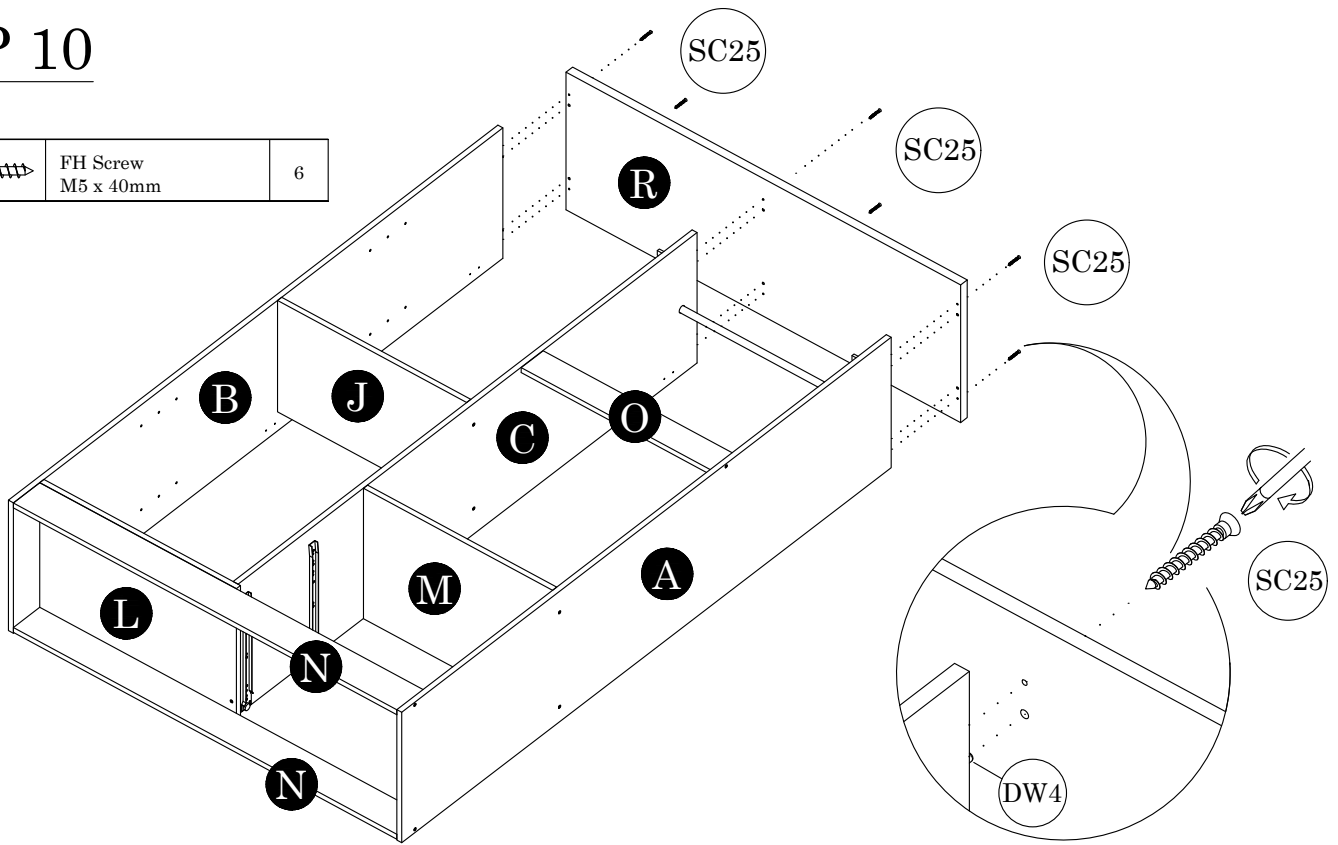
STEP 9




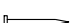


HSP 23		Hanging Steel Pipe 19mm x 588mm	1
SC25		FH Screw M5 x 40mm	12
SK2		Round Sticker	12

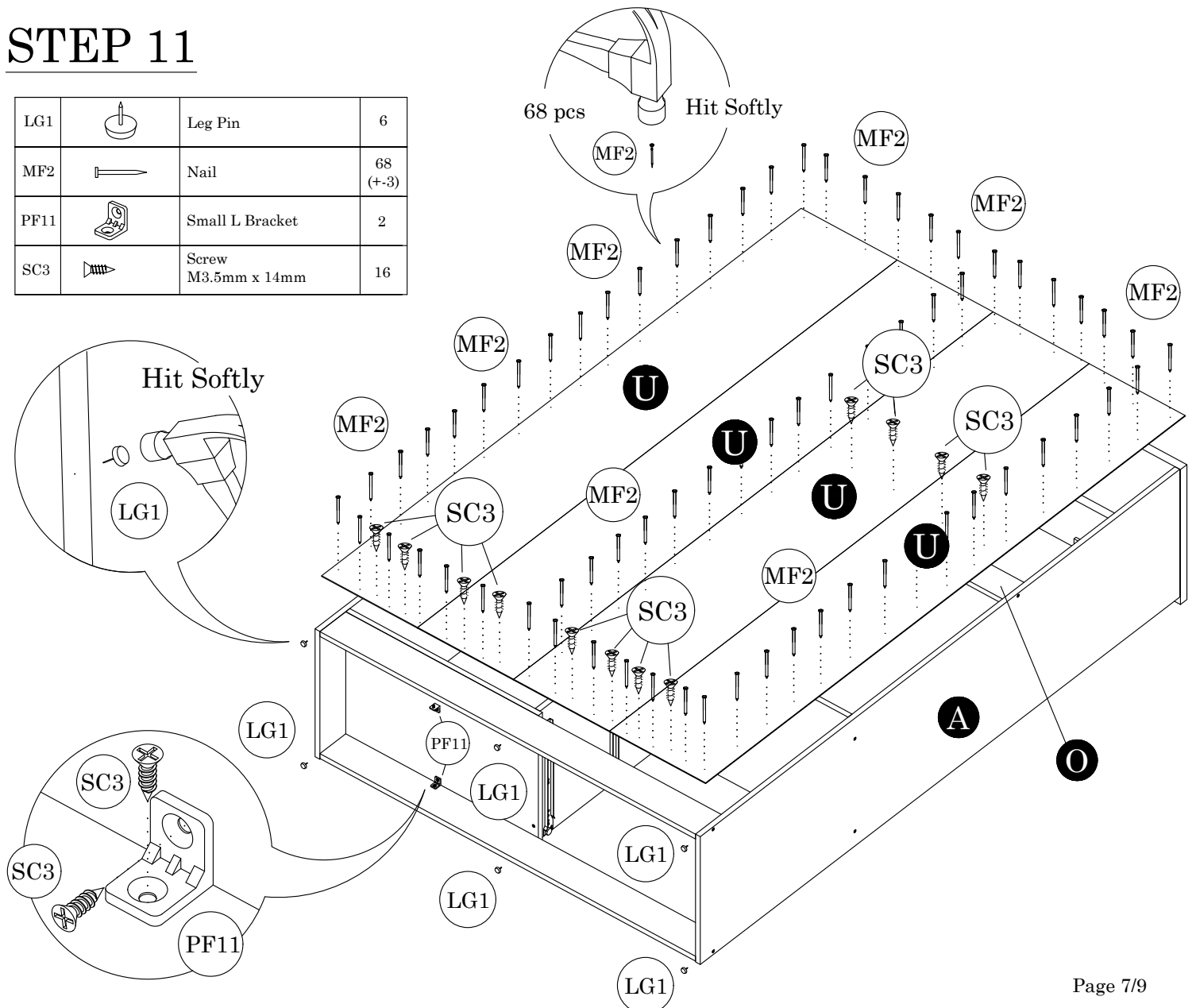
STEP 10

SC25		FH Screw M5 x 40mm	6
------	---	-----------------------	---

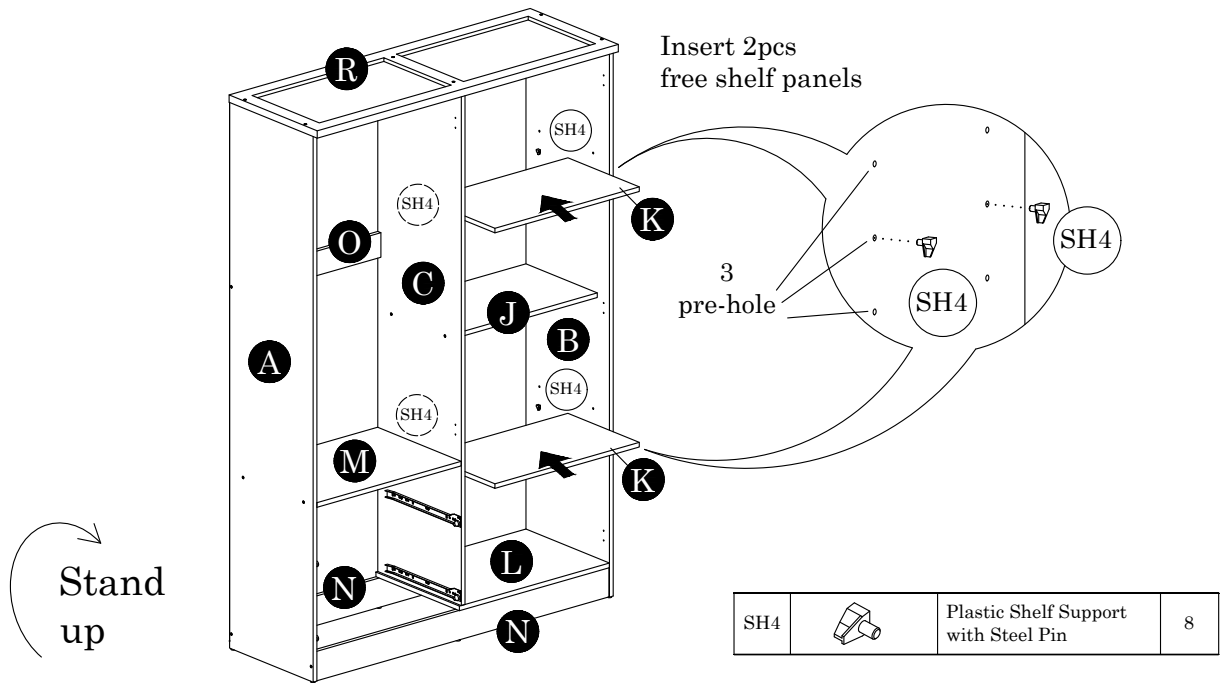


STEP 11

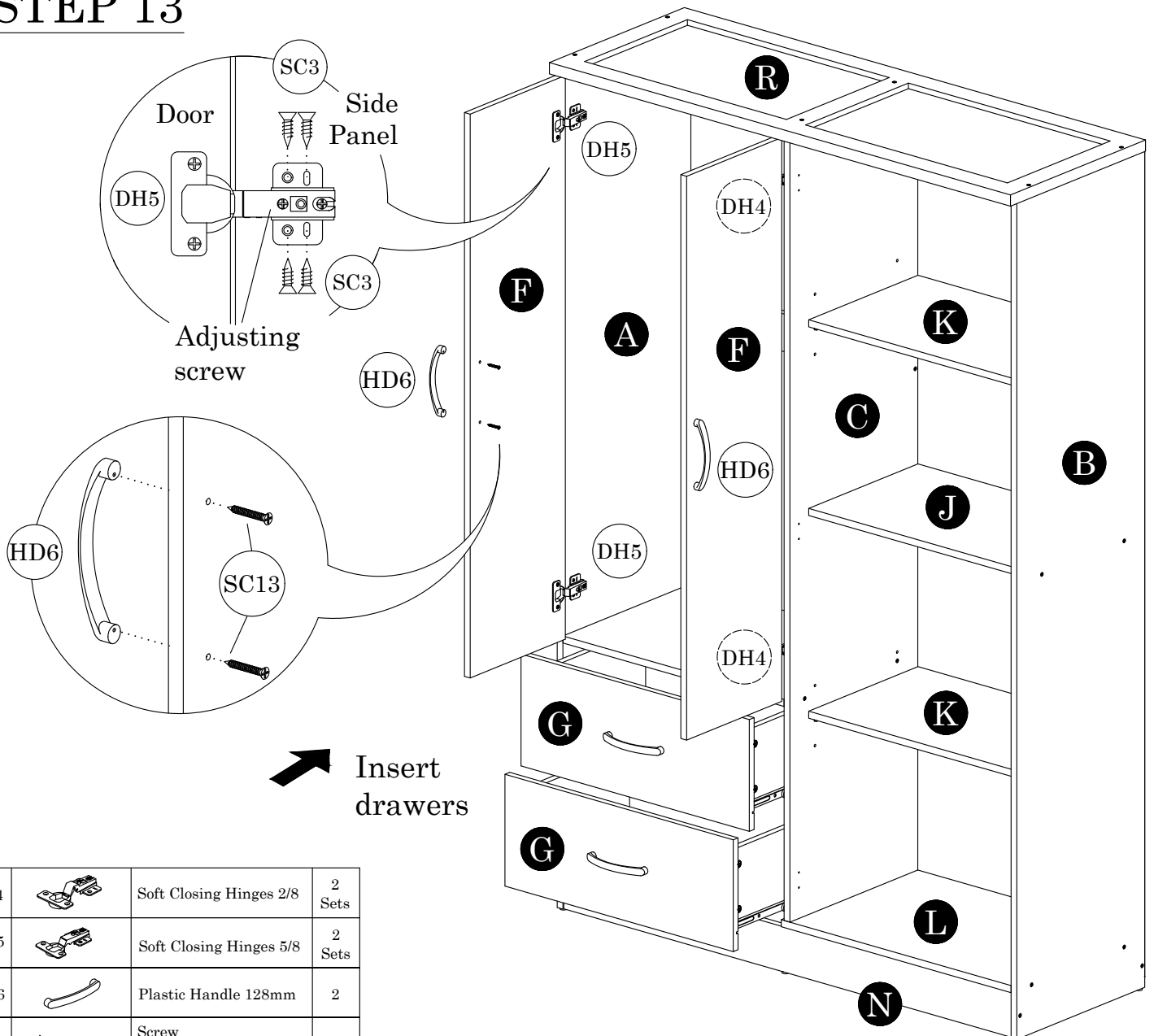
LG1		Leg Pin	6
MF2		Nail	68 (+3)
PF11		Small L Bracket	2
SC3		Screw M3.5mm x 14mm	16



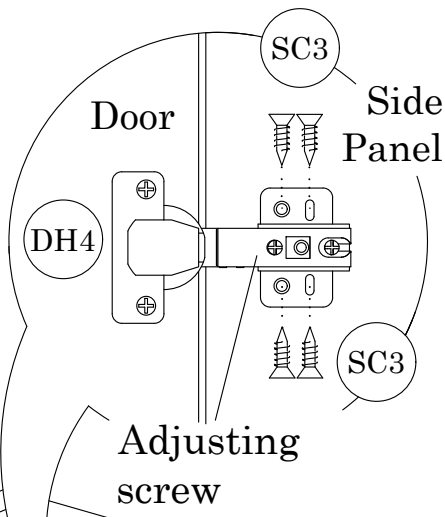
STEP 12



STEP 13



STEP 14



DH4		Soft Closing Hinges 2/8	3 Sets
DH5		Soft Closing Hinges 5/8	3 Sets
HD6		Plastic Handle 128mm	2
SC13		Screw M4mm x 30mm	4
SC3		Screw M3.5mm x 14mm	24

