

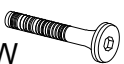


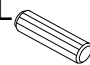

ASSEMBLY INSTRUCTION

381-000007

PLEASE FOLLOW INSTRUCTION LISTED BELOW IN THE PROPER SEQUENCE AS NUMBERED TO ASSURE FAST, EASY AND CORRECT ASSEMBLY.

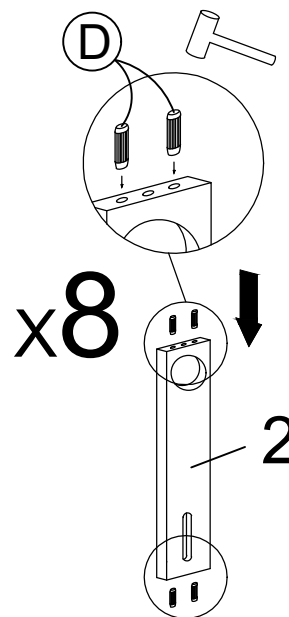
HARDWARE LIST

PART LIST

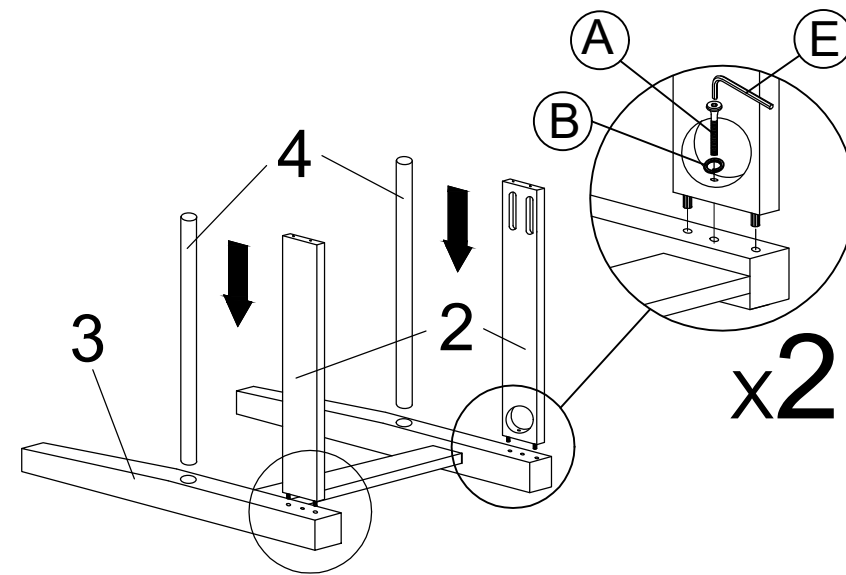
NO	DESCRIPTION	QTY
A	M6 x 50mm JCBC SCREW 	4 PCS
B	SPRING WASHER 	4 PCS
C	CSK SCREW M4 x 30mm 	8 PCS
D	WOOD DOWEL M8 x 35mm 	8 PCS
E	M4 ALLEN KEY 	1 PC

NO	DESCRIPTION	QTY
1	BACK REST	1 PC
2	SIDE RAIL	2 PCS
3	FRONT LEG	1 PC
4	STRETCHER	2 PCS
5	CHAIR SEAT	1 PC

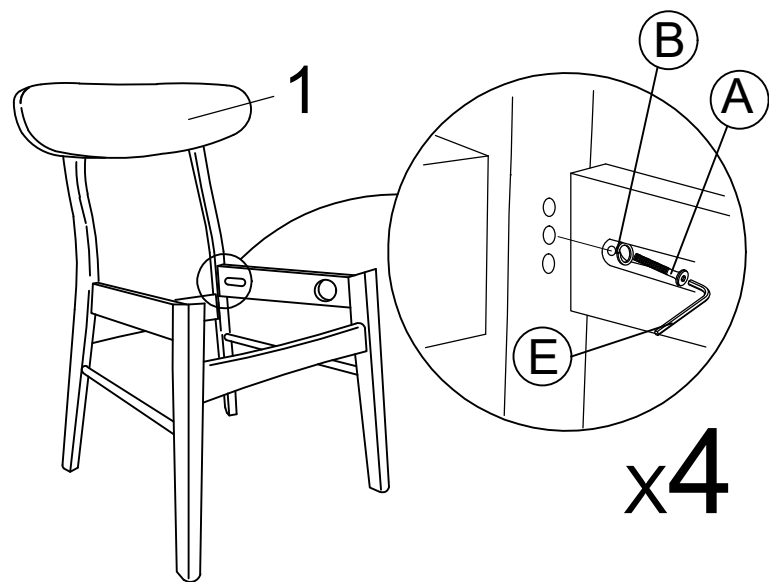
* Please fits the wood dowel on the side panel before the next step.



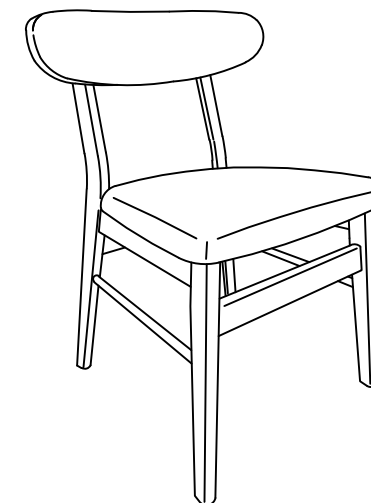
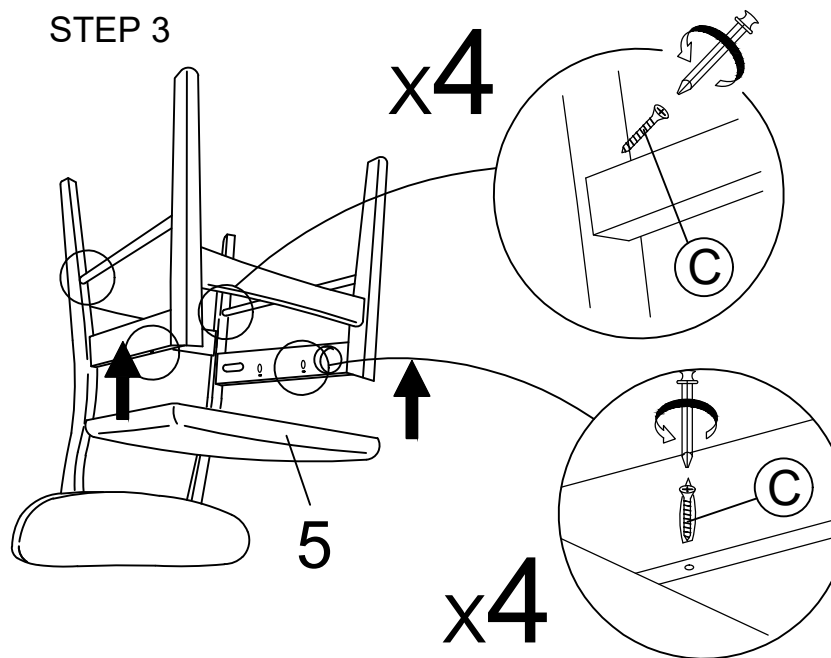
STEP 1



STEP 2



STEP 3



FULLY SETUP