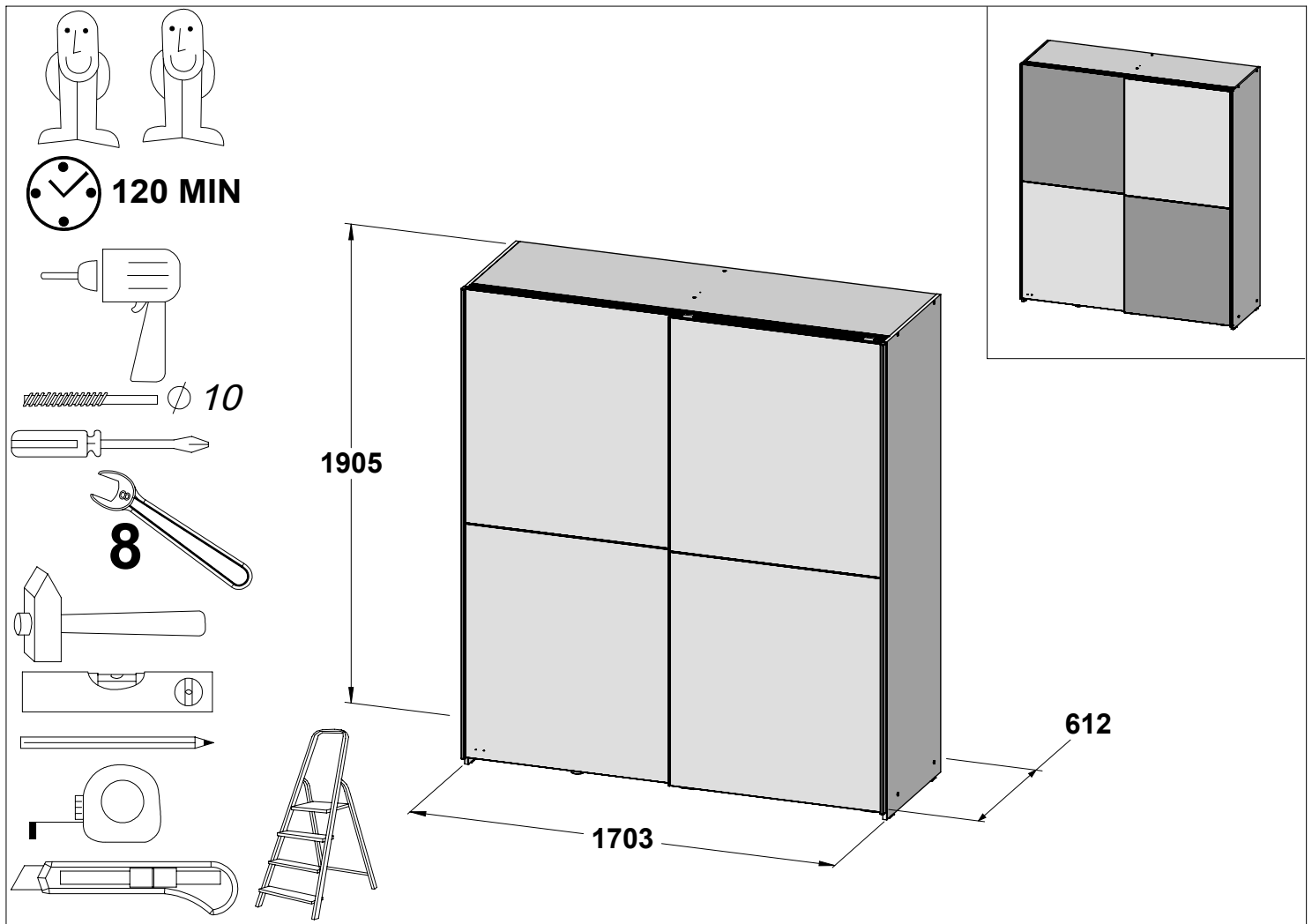


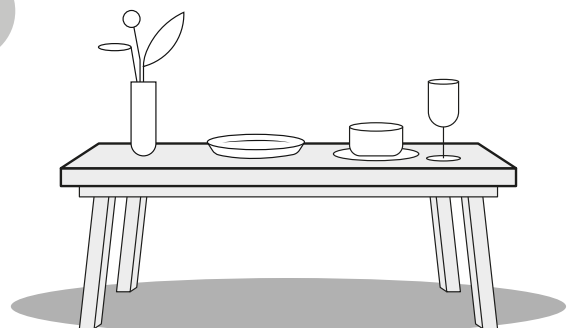
# 318-000042

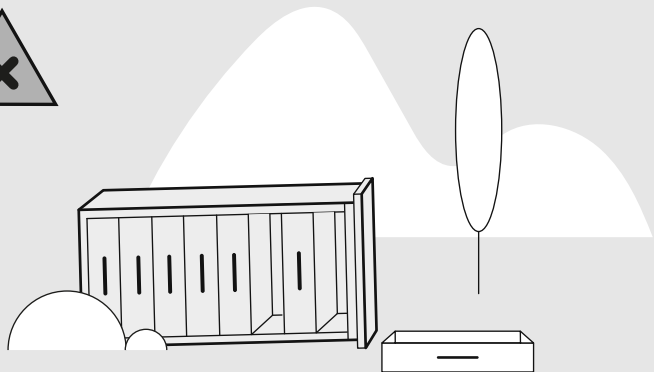
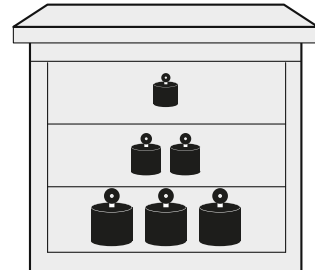
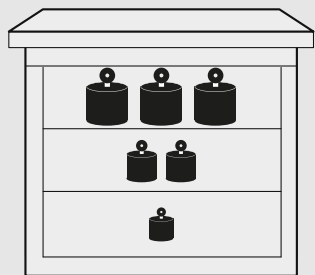
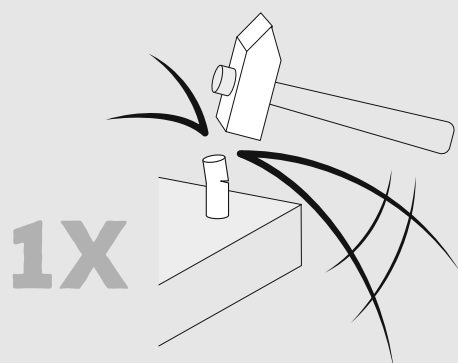
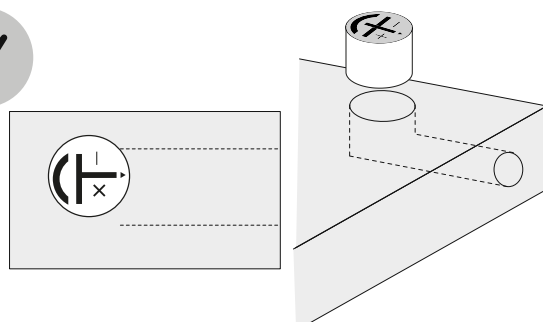
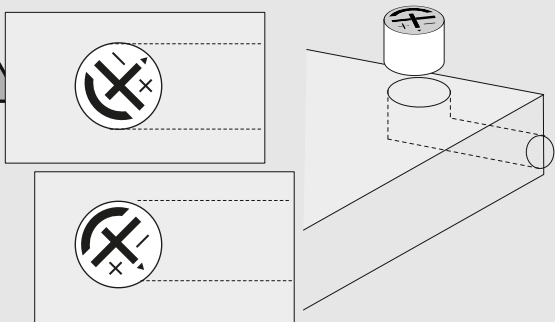


Assembling instruction

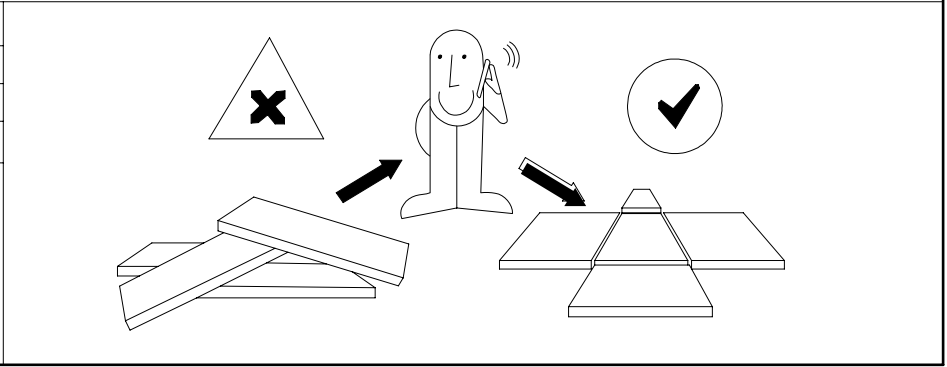
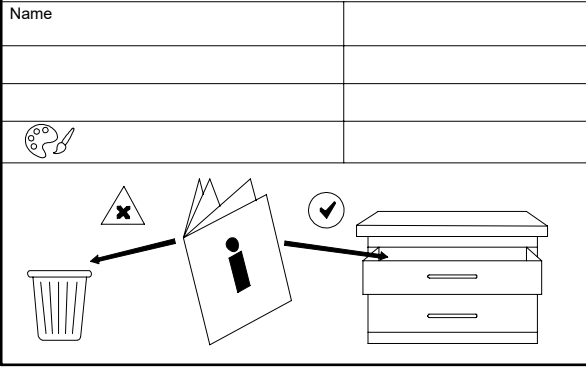


EN. Follow the manufacturer's assembly instructions, otherwise danger may occur.

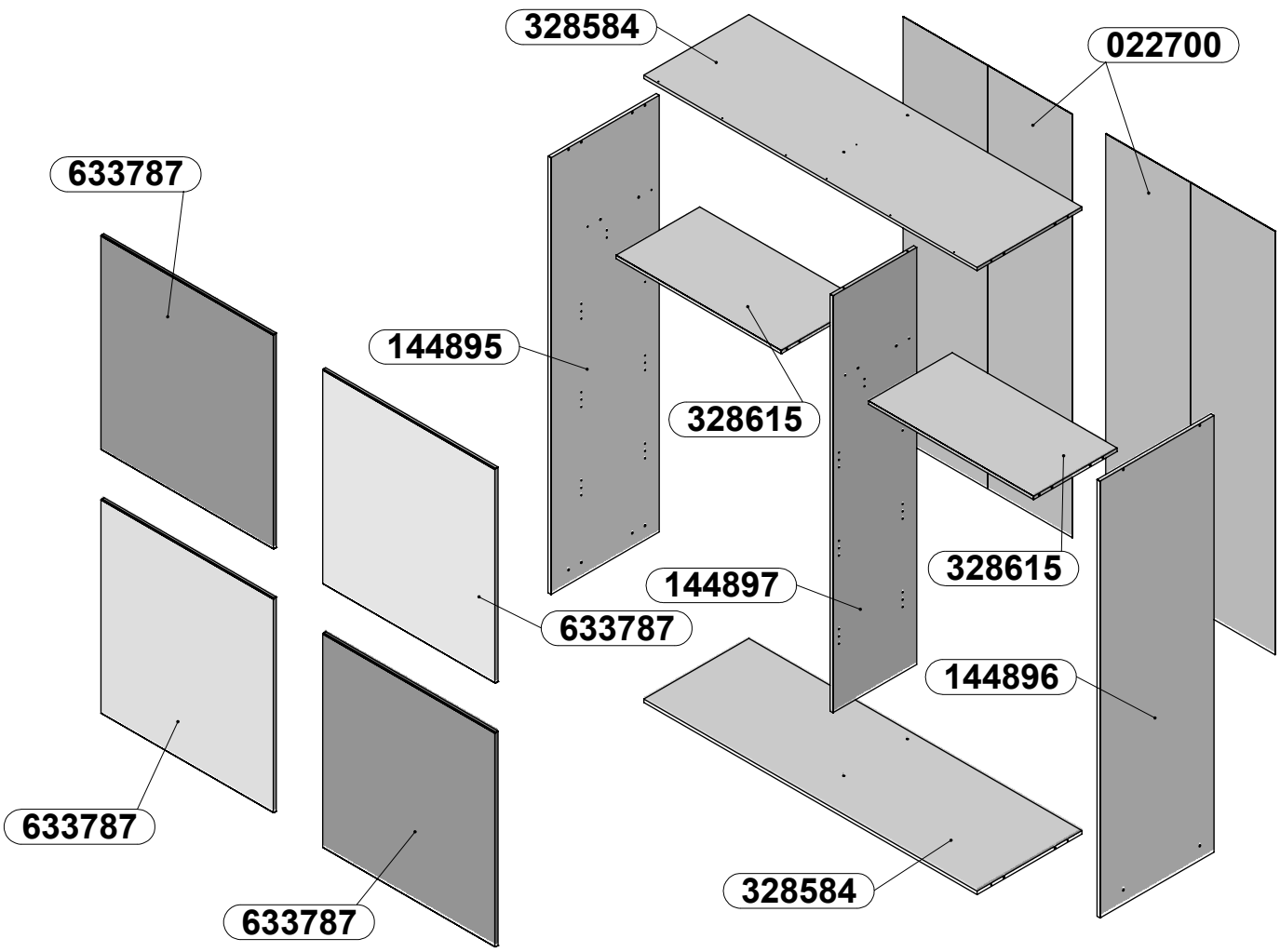




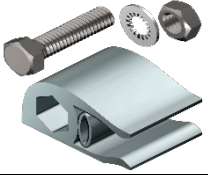


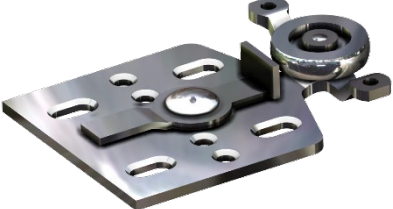


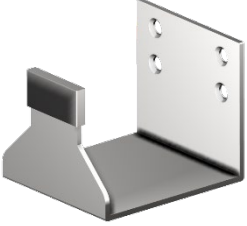
# Service







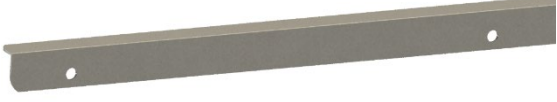

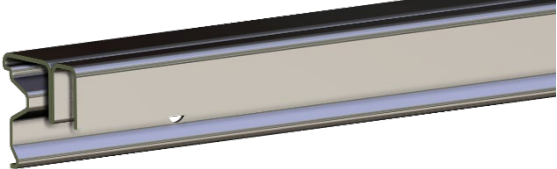
CODE	DIMENSION	Colli-0001	Colli-0002	Colli-0003
022700	1842x850x2			2
144895	1900x544x15			1
144896	1900x573x15			1
144897	1814x421x15	1		
328584	1673x527x15	2		
328615	829x420x15	2		
633787	865x933x15		4	



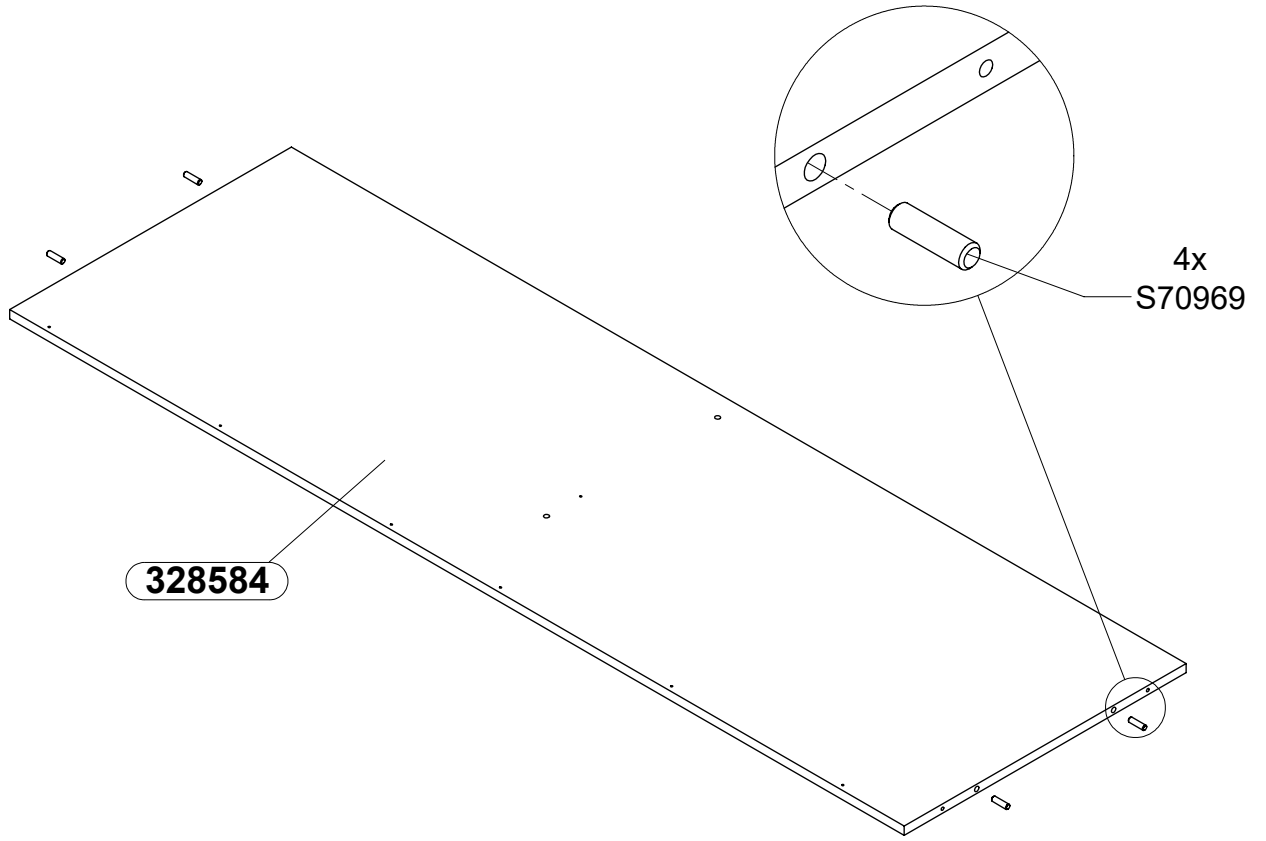
<p><b>16x</b> <b>S70969</b></p> <p>Ø8x28</p> 	<p><b>8x</b> <b>S30211</b></p> 	<p><b>8x</b> <b>S30212</b></p> <p>Ø15x12</p> 	<p><b>37x</b> <b>S30161</b></p> <p>Ø4x16</p> 
<p><b>4x</b> <b>S30106</b></p> <p>Ø3.5x15</p> 	<p><b>10x</b> <b>S30129</b></p> <p>Ø3,5x25</p> 	<p><b>5x</b> <b>S30157</b></p> <p>Ø4x30</p> 	<p><b>42x</b> <b>S31298-14</b></p> <p>Ø4x14</p> 
<p><b>12x</b> <b>S32080</b></p> <p>Ø6,4x50</p> 	<p><b>70x</b> <b>S31299</b></p> <p>Ø1,6x30</p> 	<p><b>4x</b> <b>S34702</b></p> 	<p><b>5x</b> <b>S39787</b></p> 
<p><b>8x</b> <b>S3yyyy</b></p> 	<p><b>12x</b> <b>S30312</b></p> 	<p><b>1x</b> <b>S30066</b></p> 	<p><b>1x</b> <b>S20557N</b></p> 
<p><b>4x</b> <b>S33396</b></p> 	<p><b>4x</b> <b>S38389</b></p> 	<p><b>2x</b> <b>S32892-N</b></p> 	
<p><b>1x</b> <b>S30577</b></p> 	<p><b>2x</b> <b>S36628</b></p> <p>Ø10x50, Ø5x60</p> 		

<p><b>2x</b> <b>S36482-N</b></p> 	<p><b>1x</b> <b>S36483-N</b></p> 	<p><b>2x</b> <b>S36165</b></p> 
<p><b>2x</b> <b>S36479-N</b></p> 	<p><b>2x</b> <b>S36481-N</b></p> 	
<p><b>2x</b> <b>S36478-N</b></p> 	<p><b>2x</b> <b>S36480-N</b></p> 	

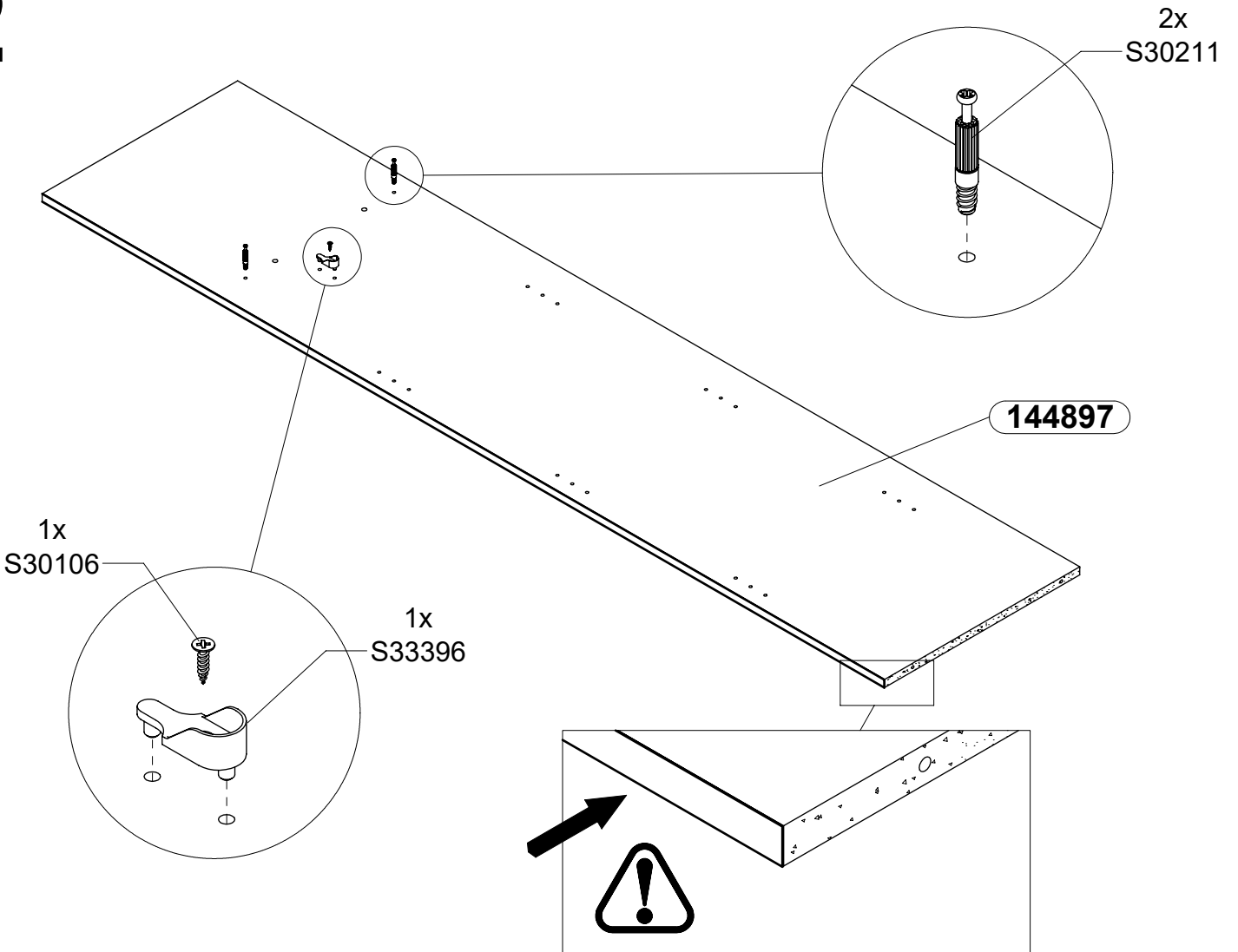
<p><b>2x</b> <b>S34802</b></p> <p>L=822</p>	
---	---

<p><b>2x</b> <b>K-S39812</b></p> <p>L - 1866</p> 	<p><b>2x</b> <b>K-S39812</b></p> <p>L - 1866</p> 
<p><b>1x</b> <b>K-S39810</b></p> <p>L - 1865</p> 	<p><b>1x</b> <b>K-S39811</b></p> <p>L - 1866</p> 
<p><b>1x</b> <b>S37911-N</b></p> <p>L - 1672</p> 	<p><b>1x</b> <b>S37912-N</b></p> <p>L - 1672</p> 

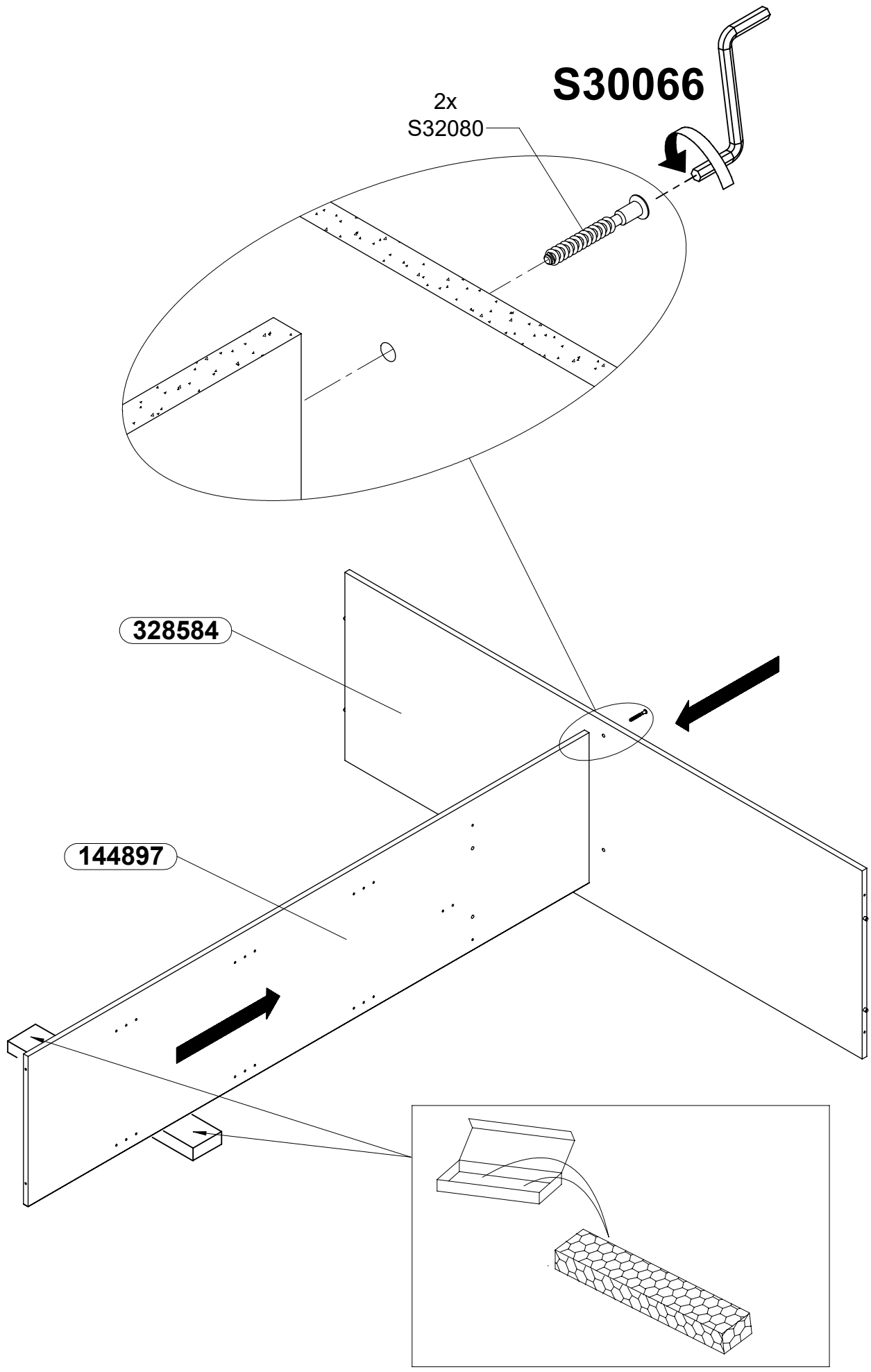
**1** x1



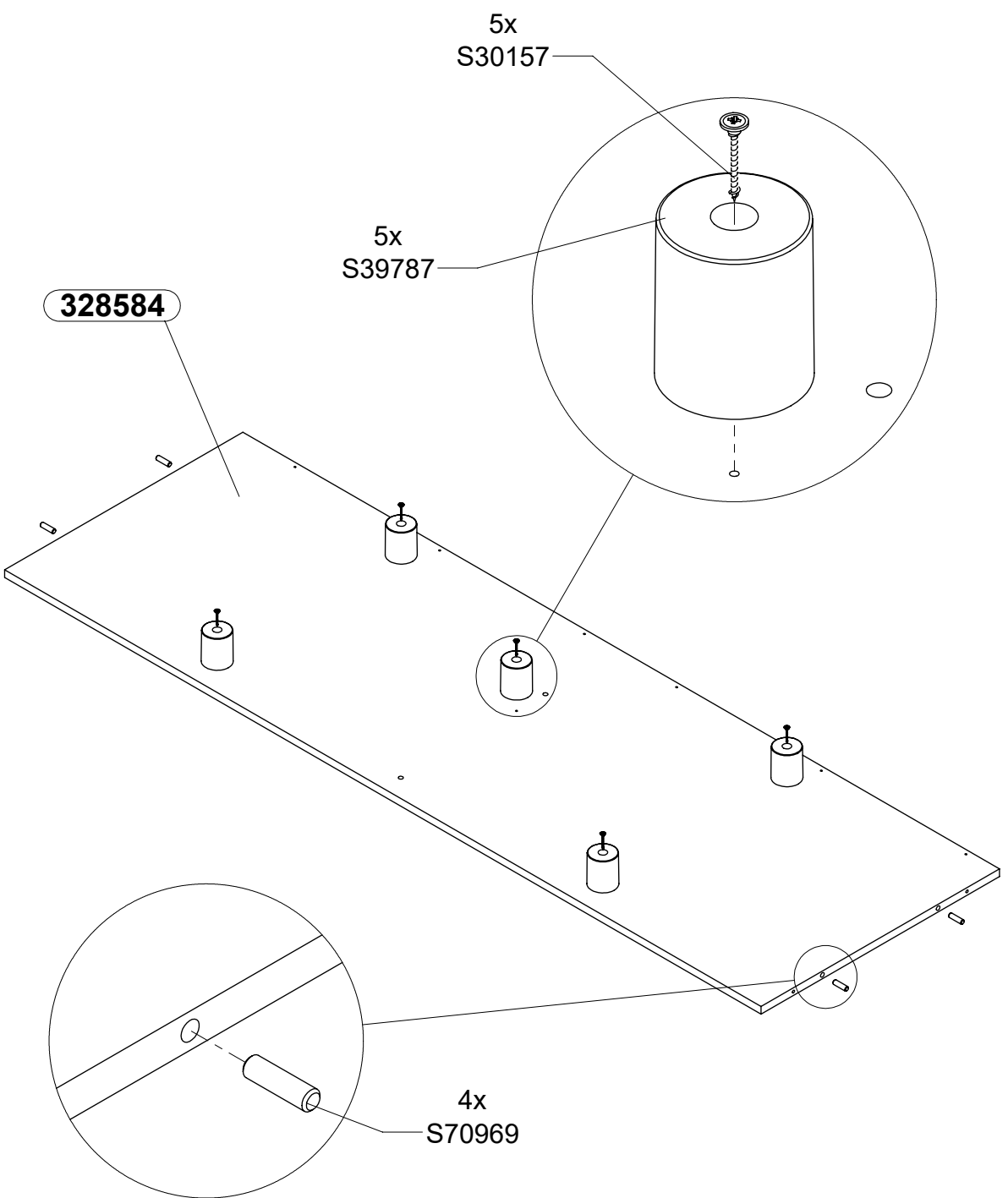
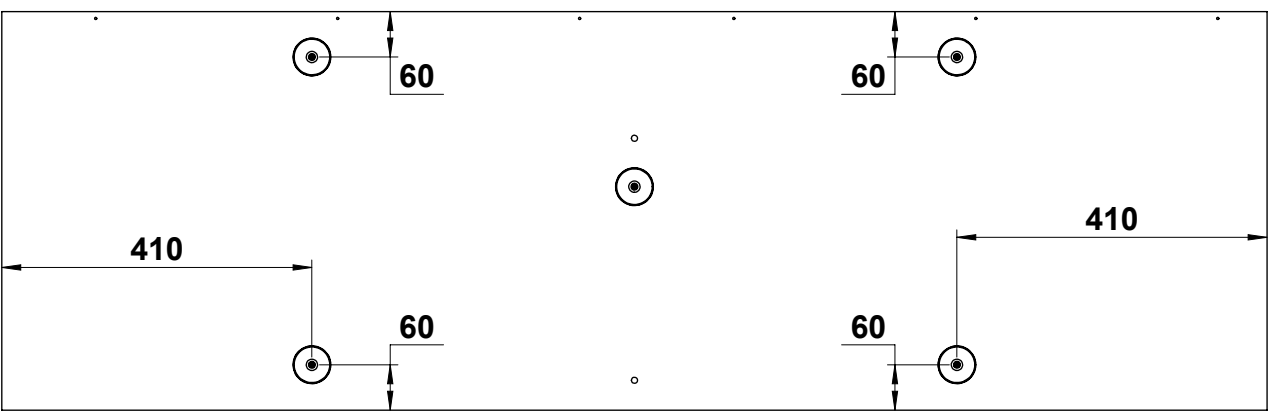
**2**



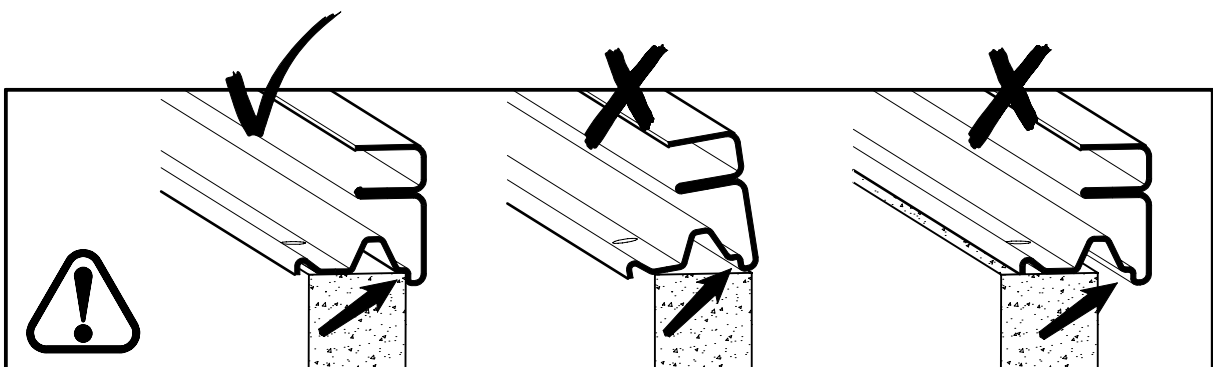
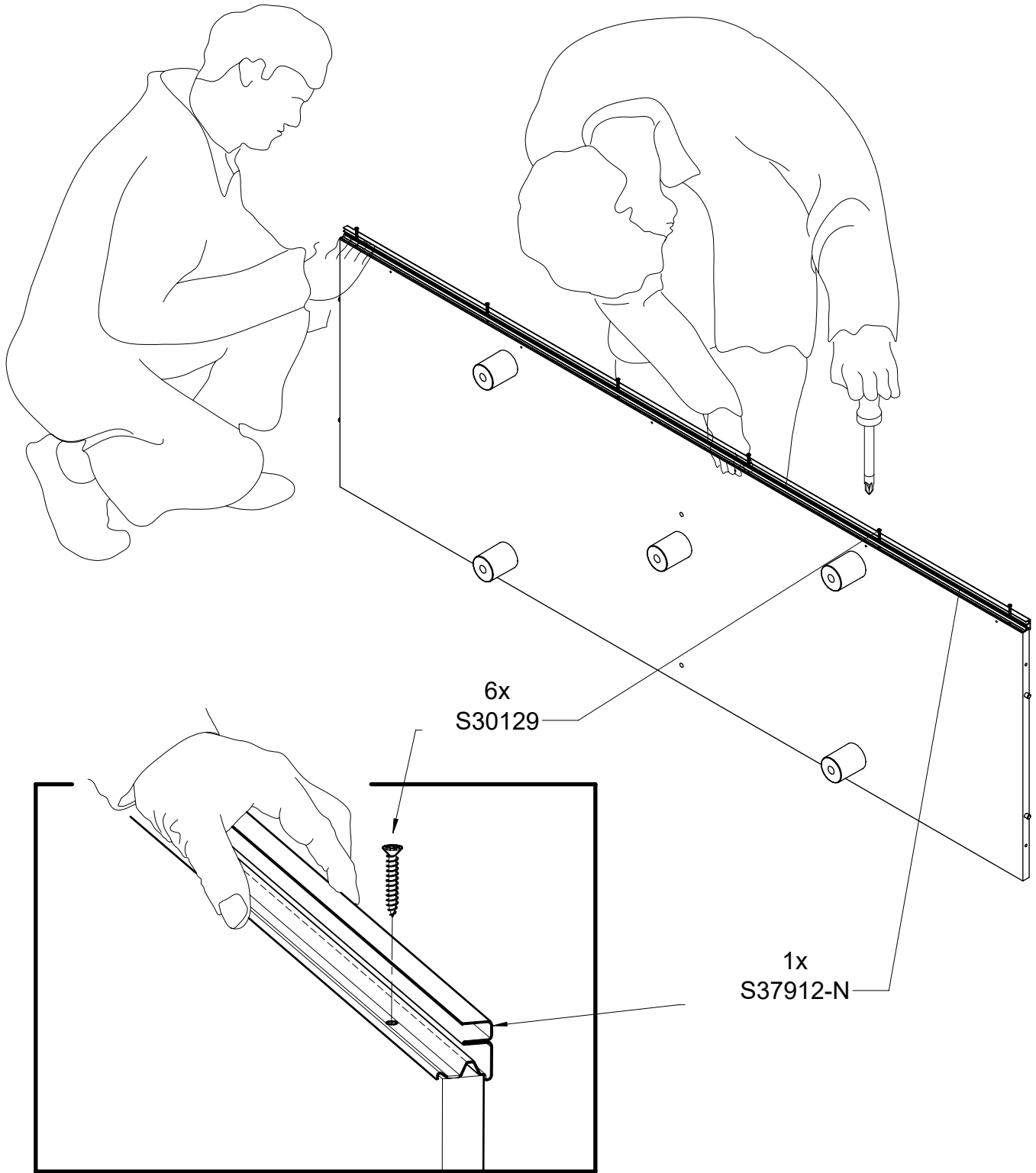
# 3



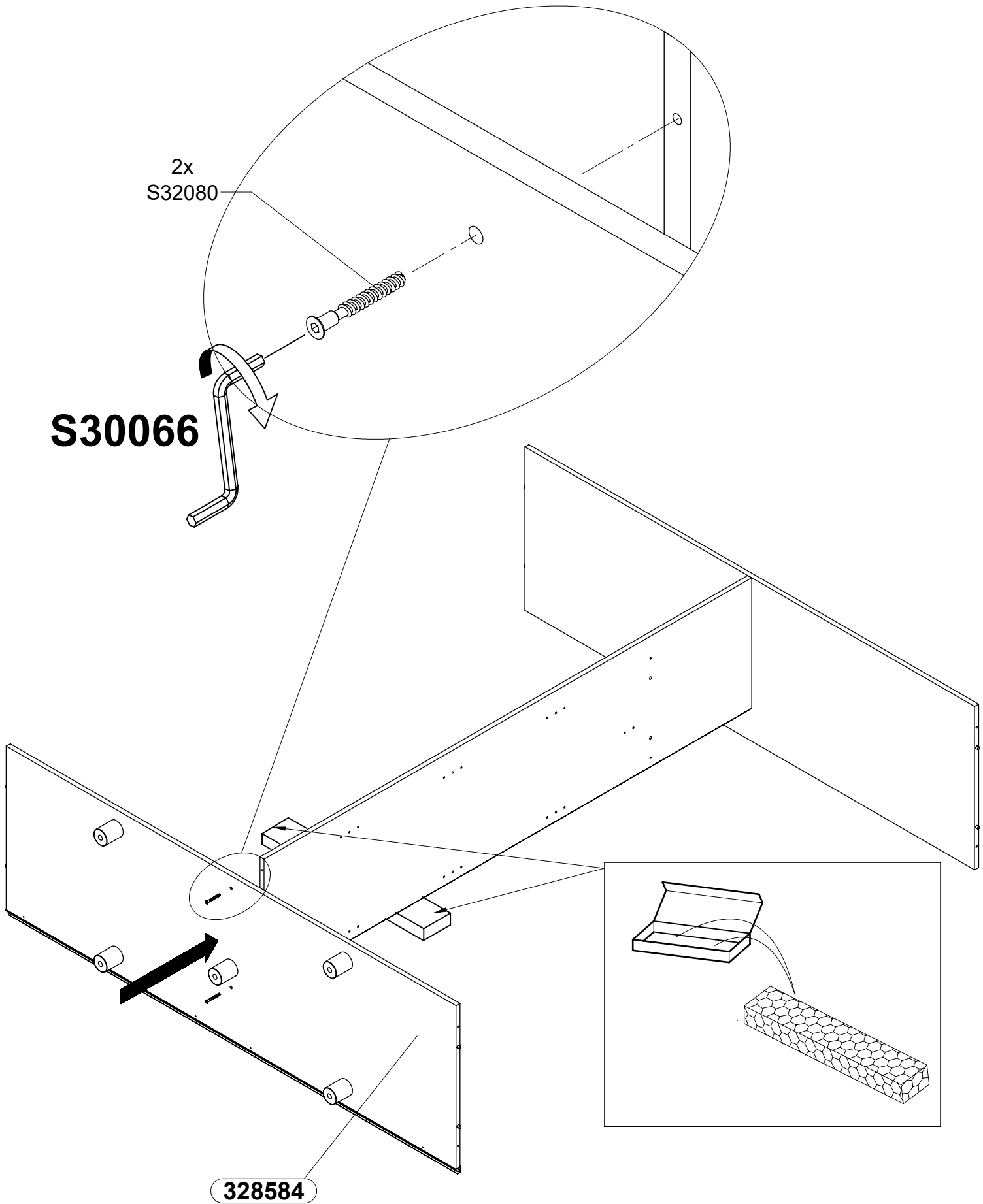
4x1



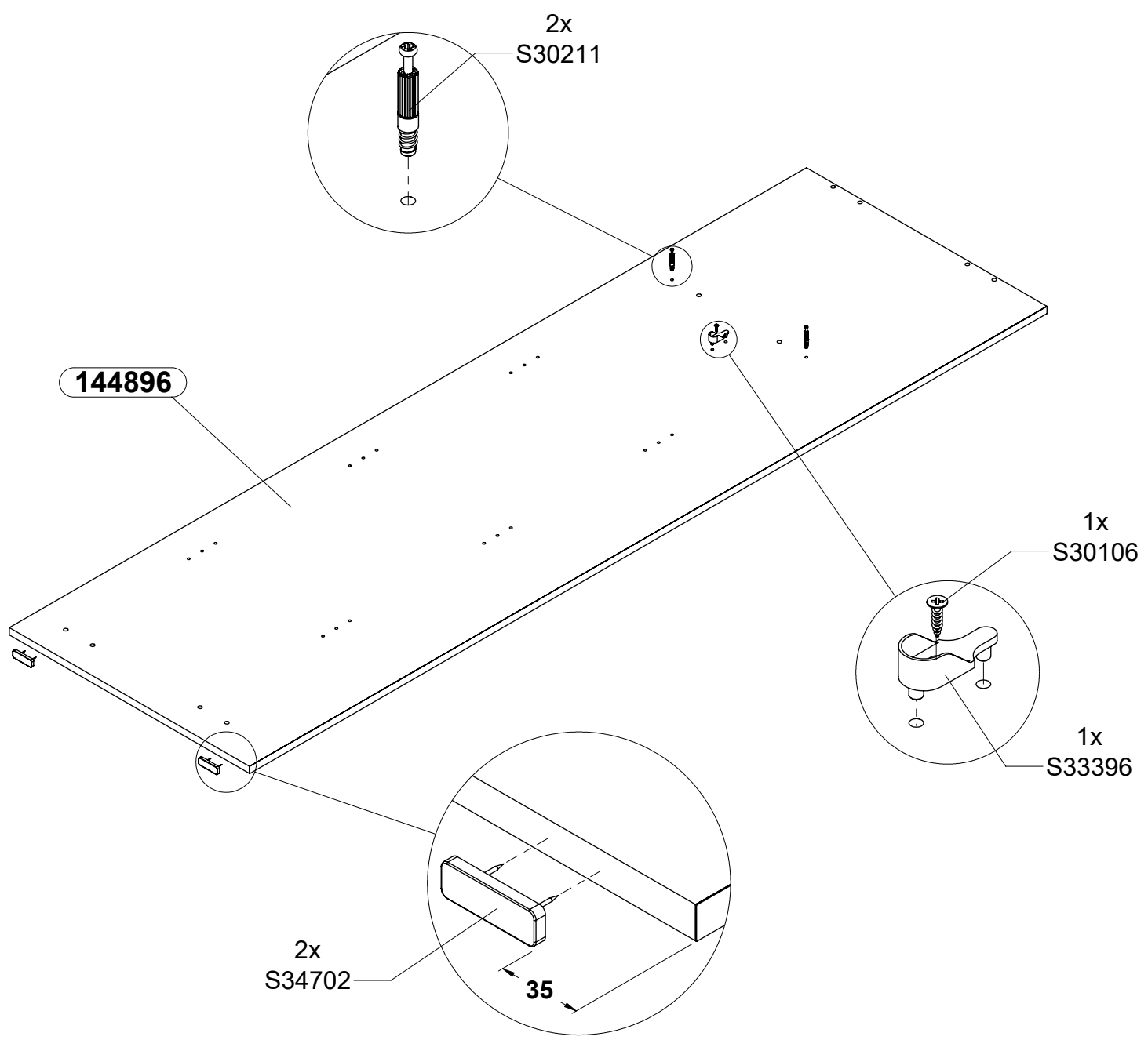
# 5



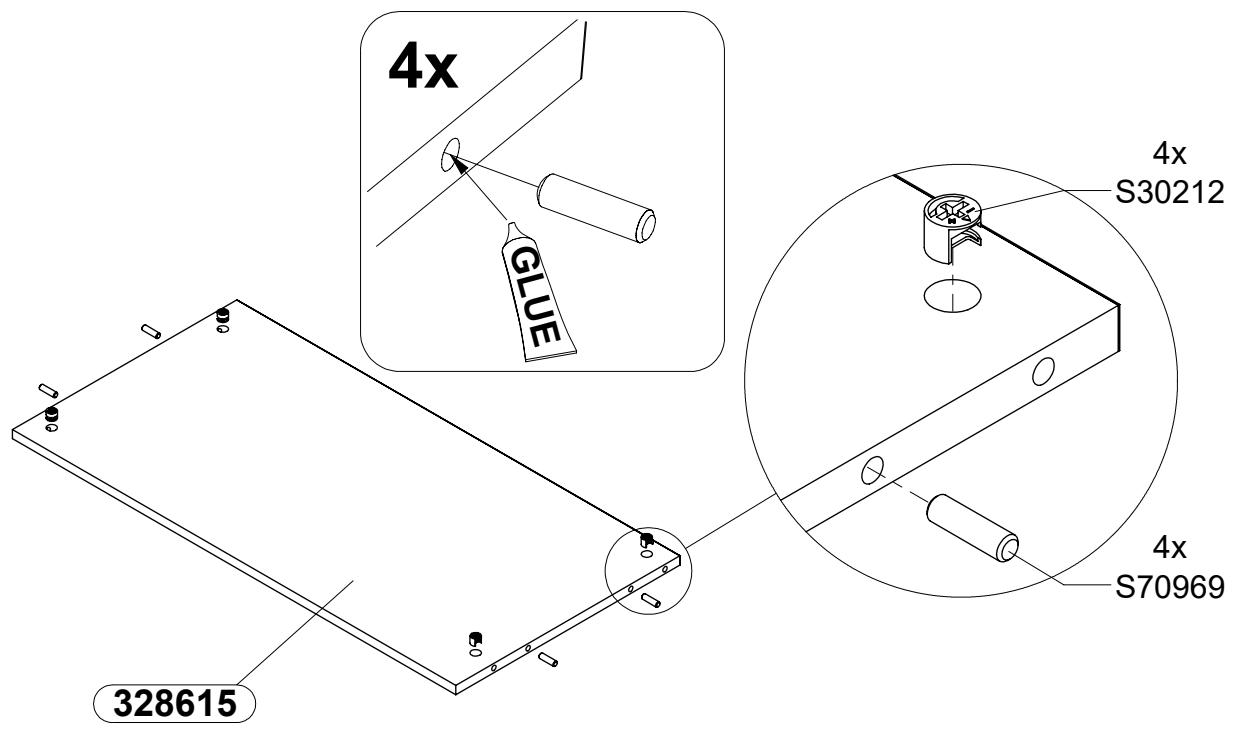
# 6



# 7



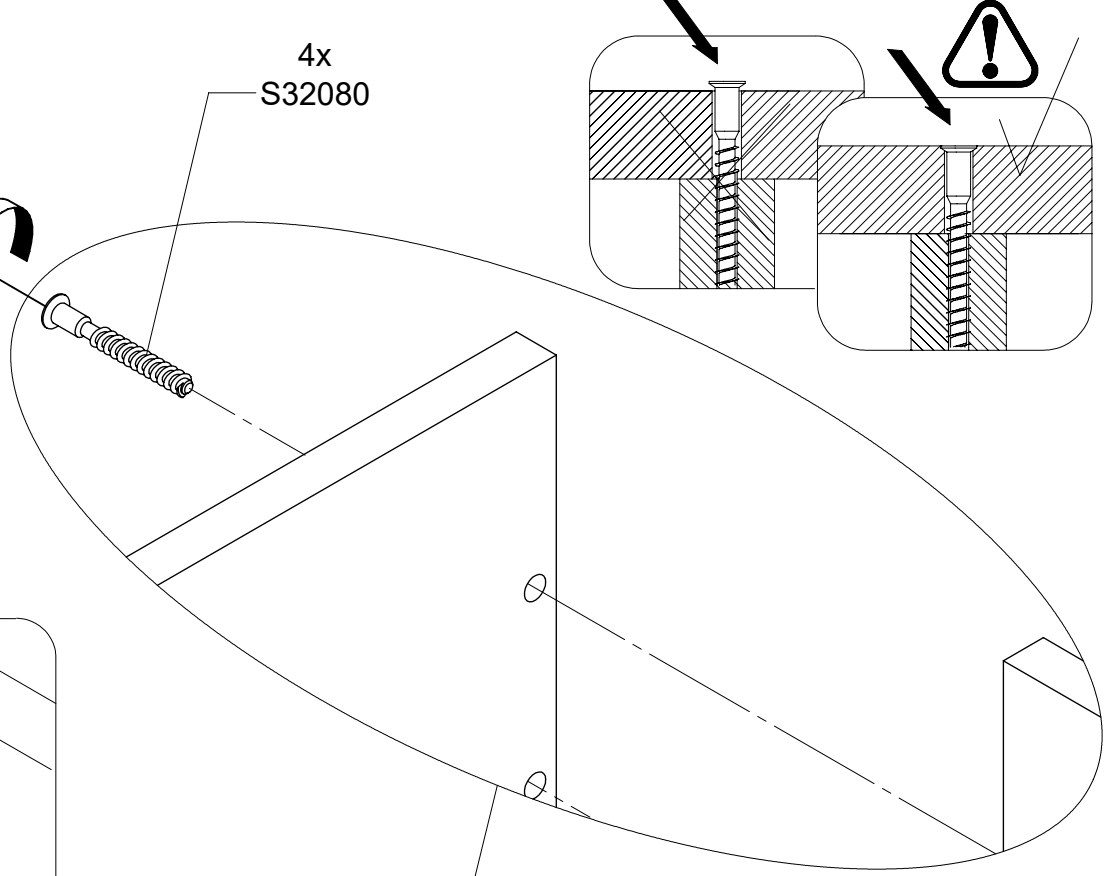
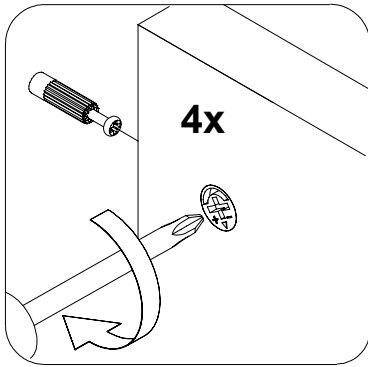
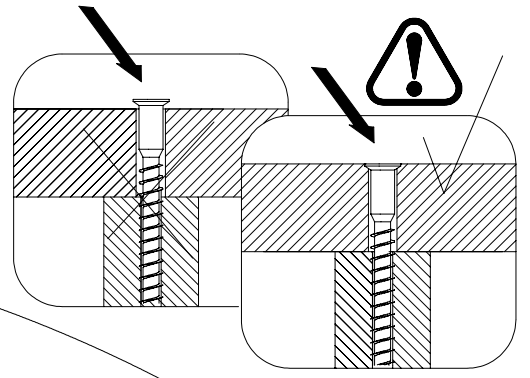
# 8 x2



# 9

## S30066

4x  
S32080

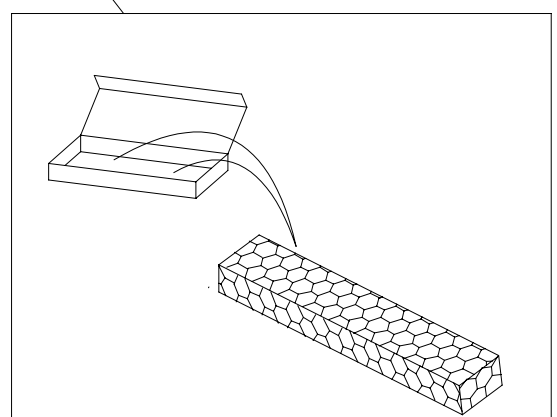
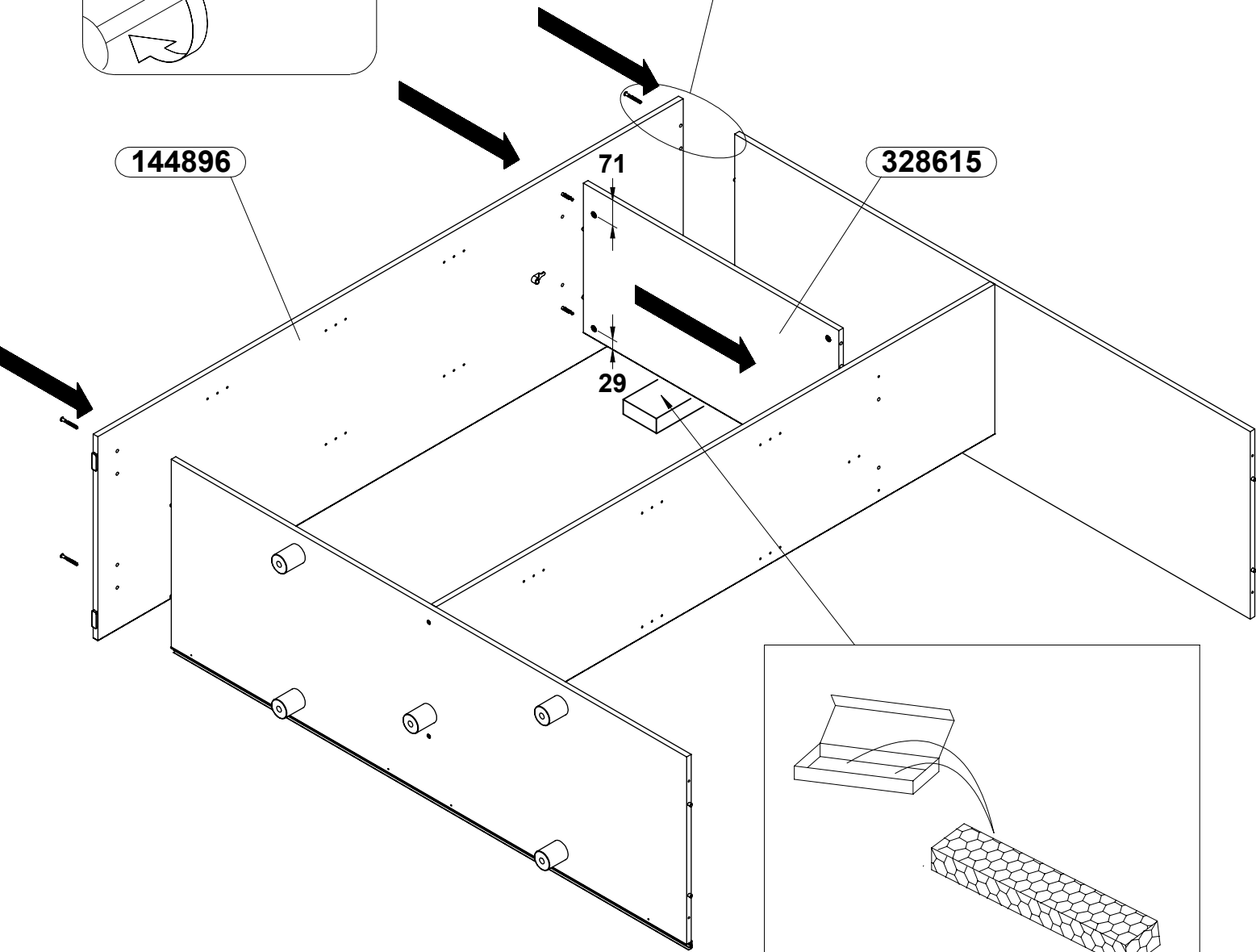


144896

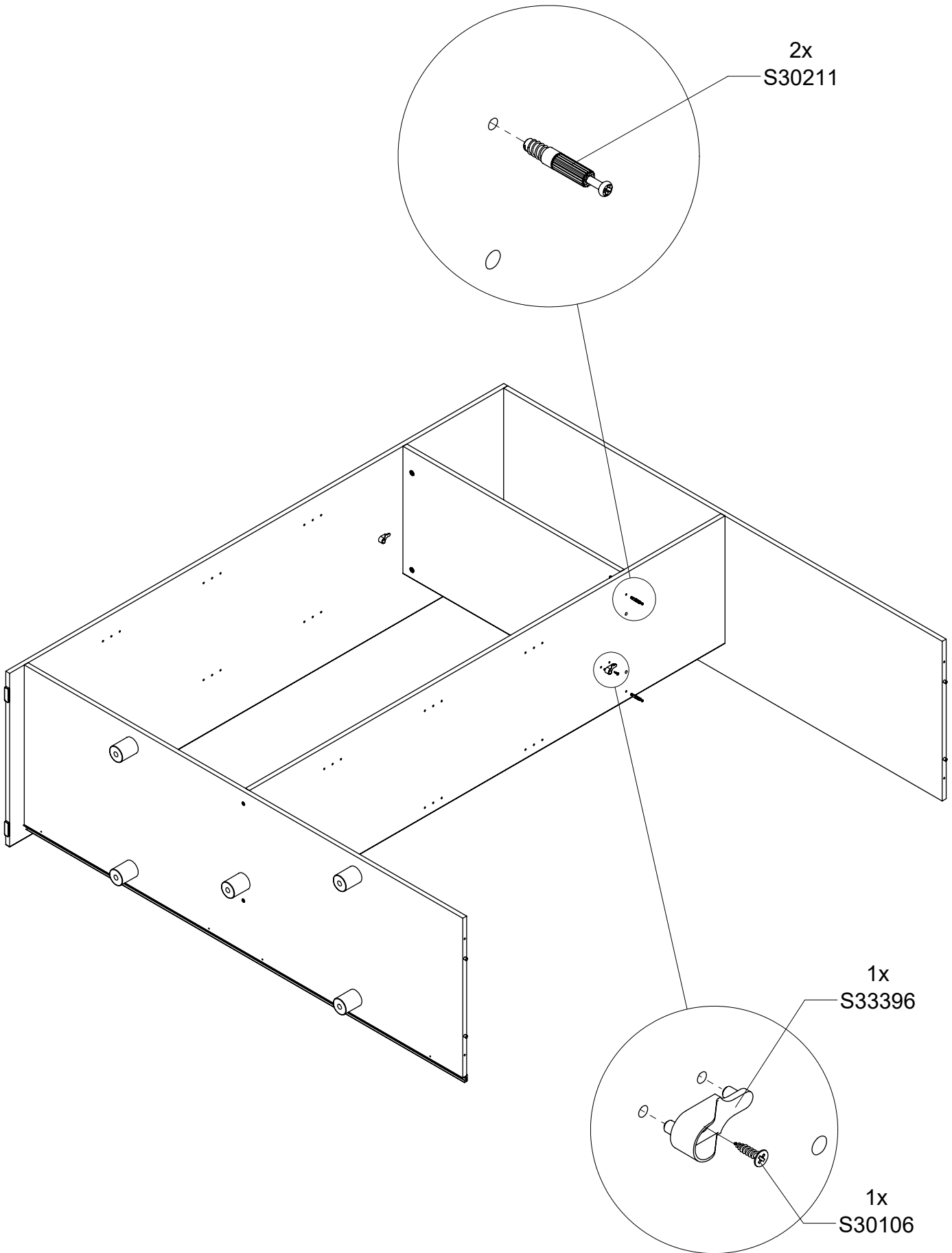
71

328615

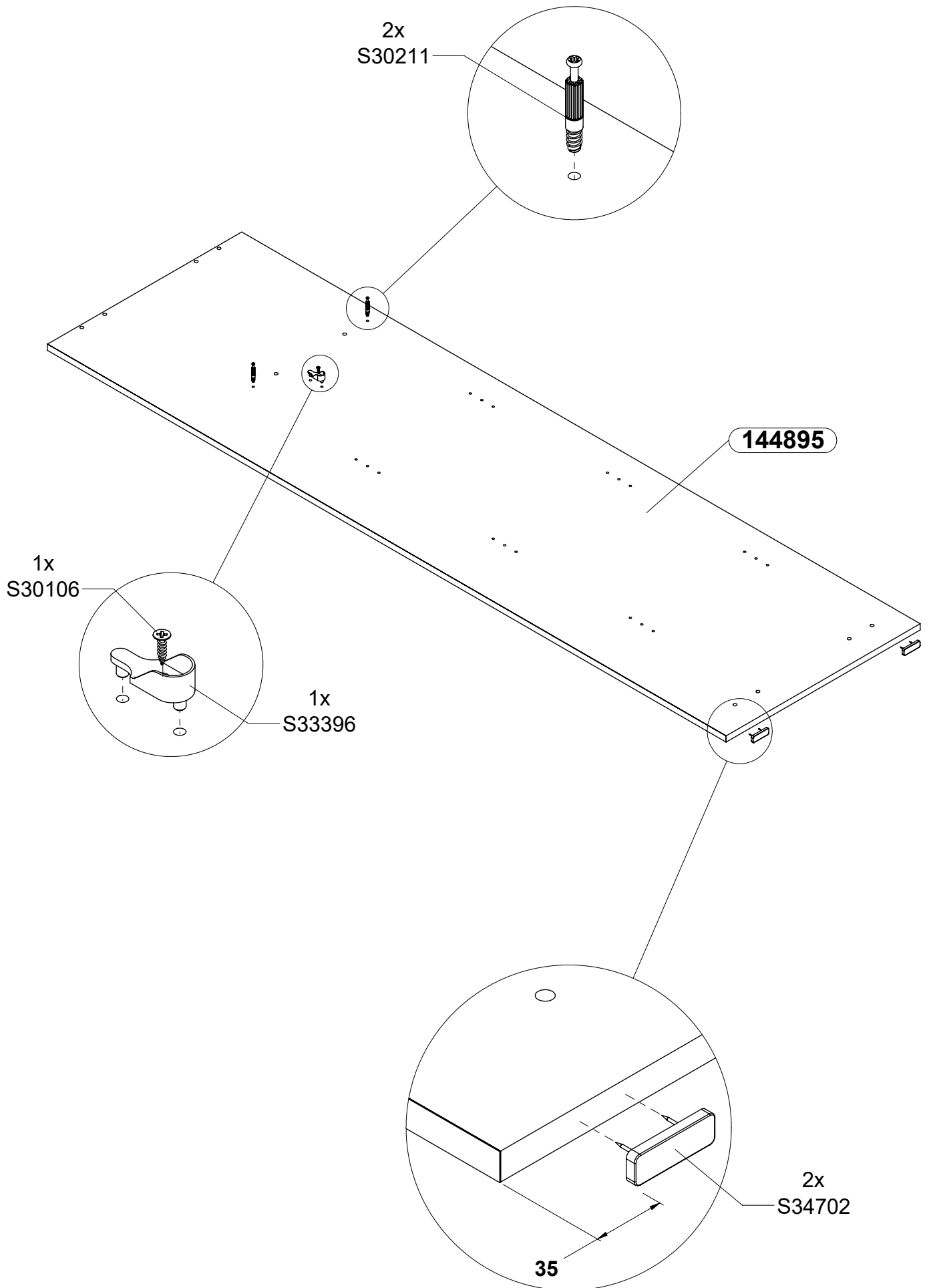
29



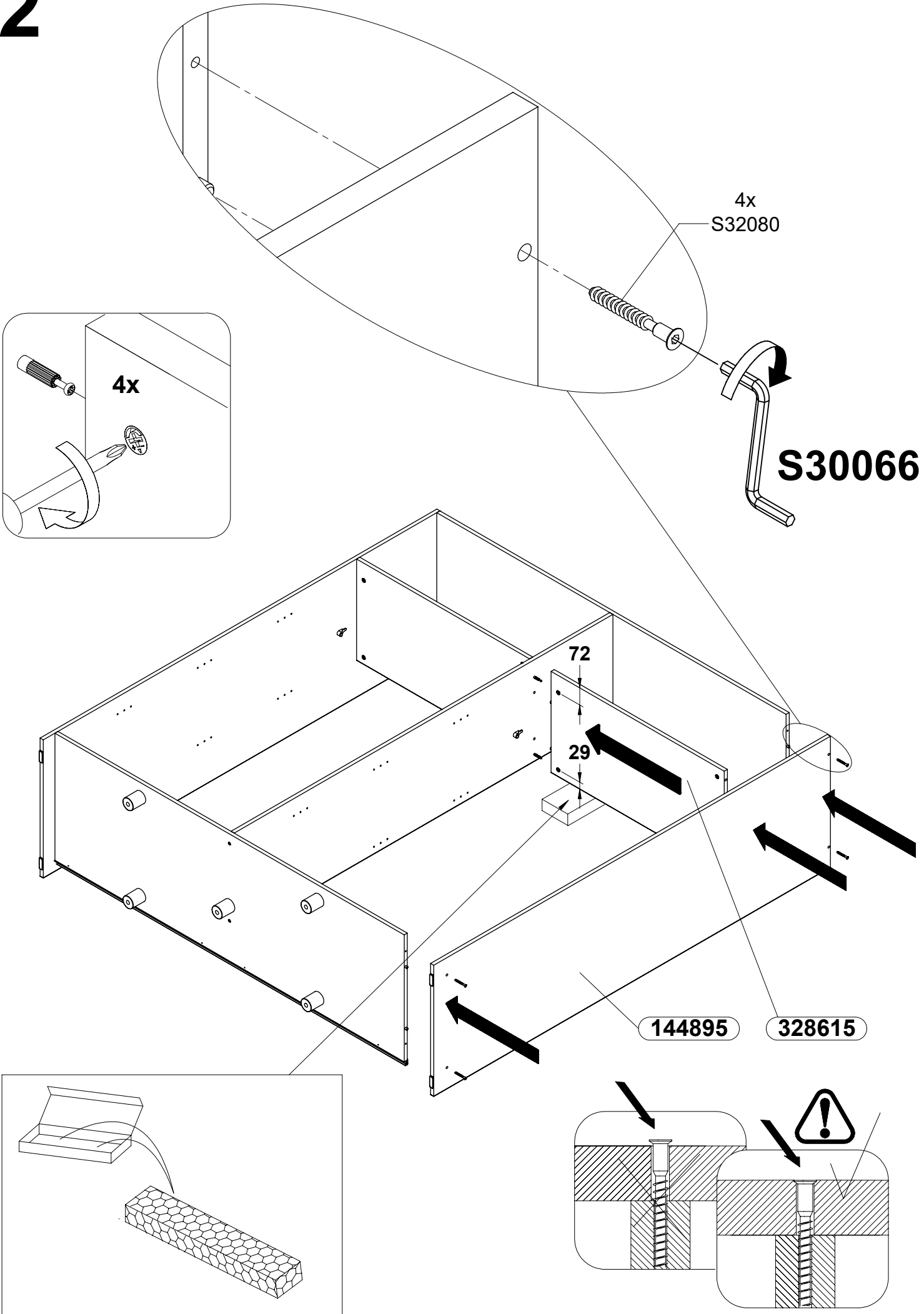
# 10



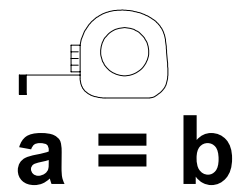
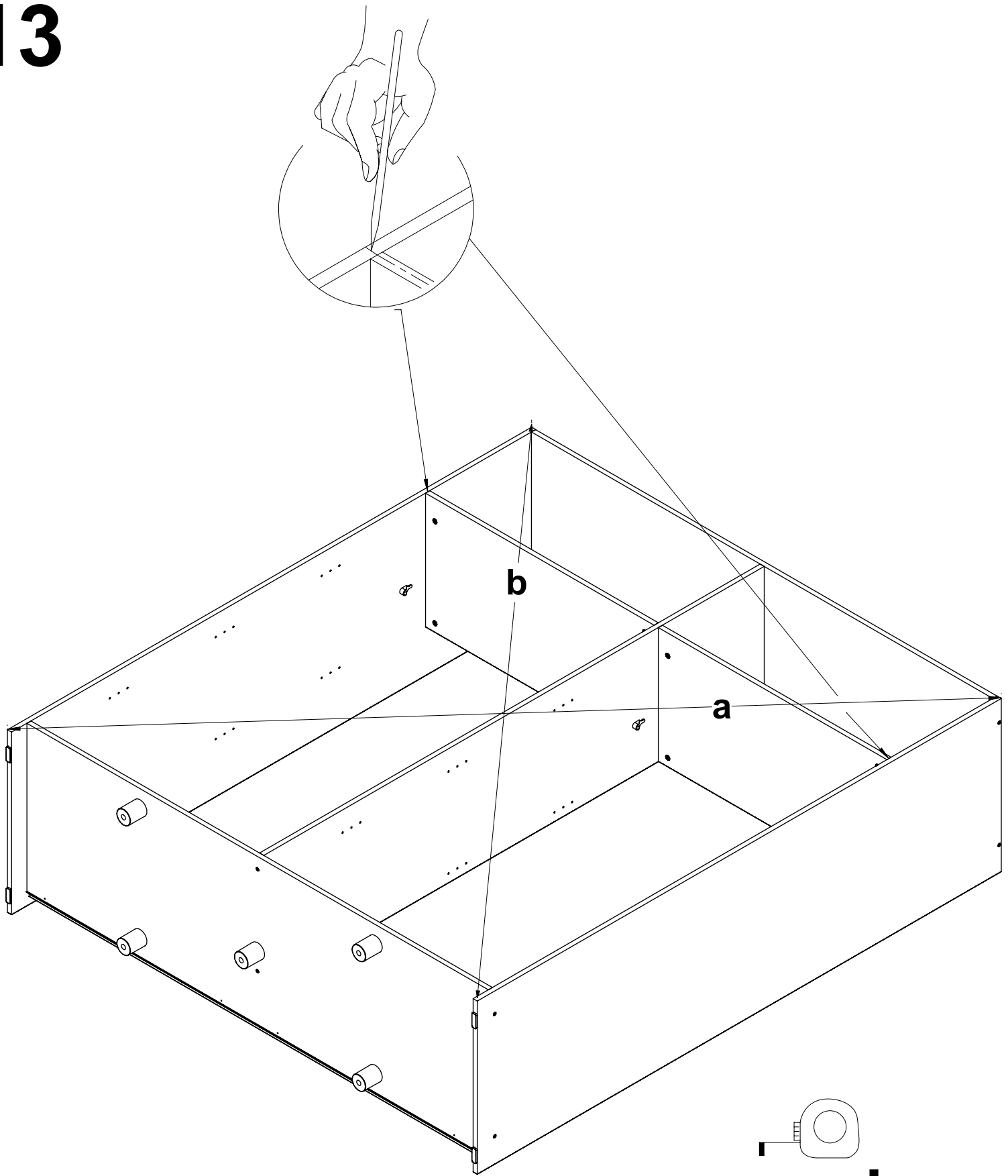
# 11



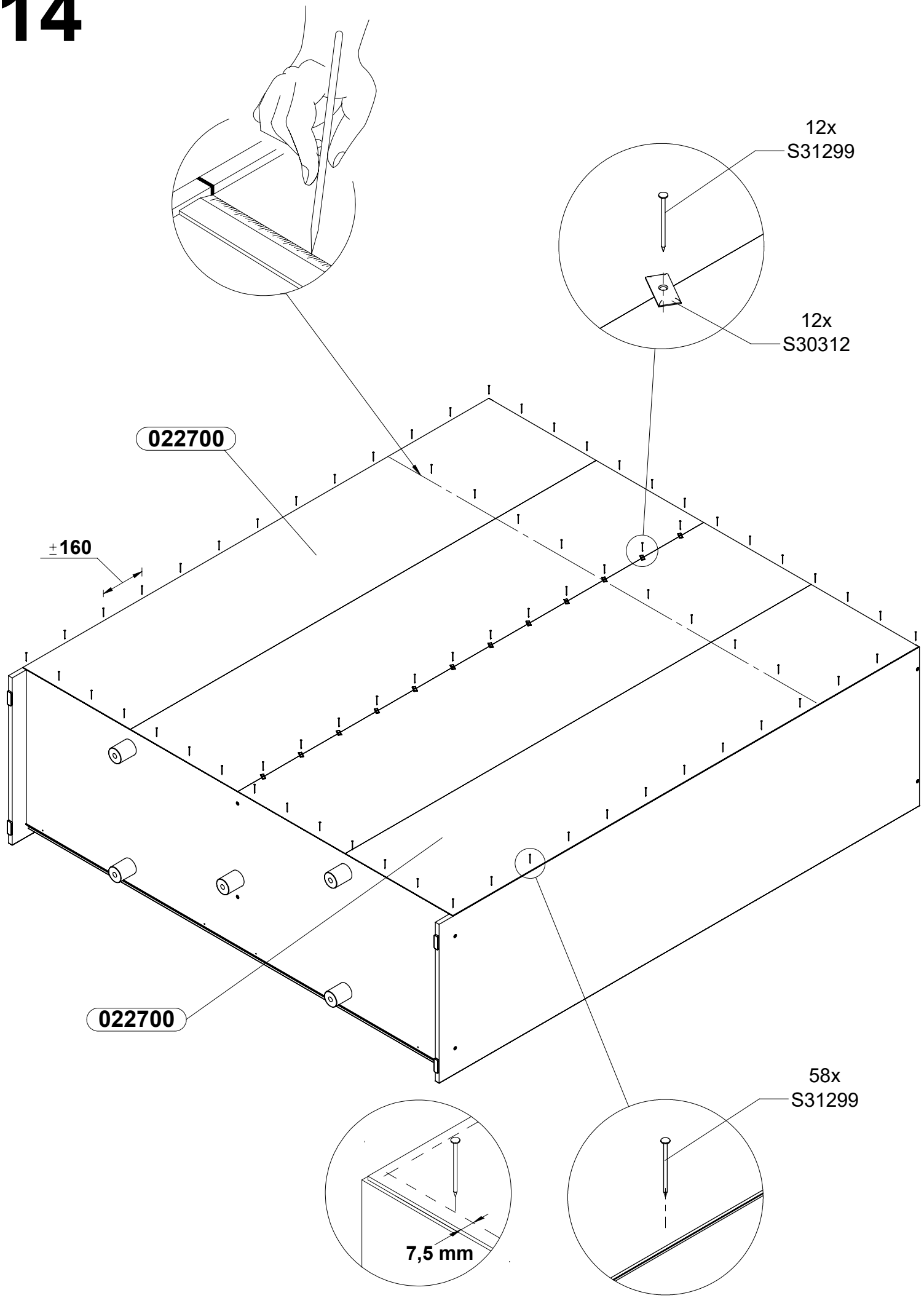
# 12



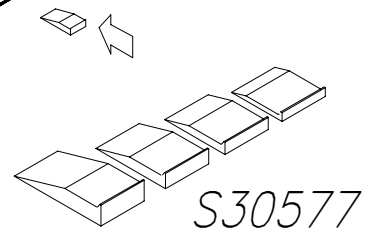
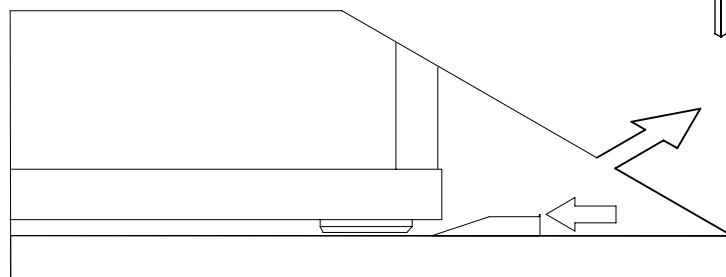
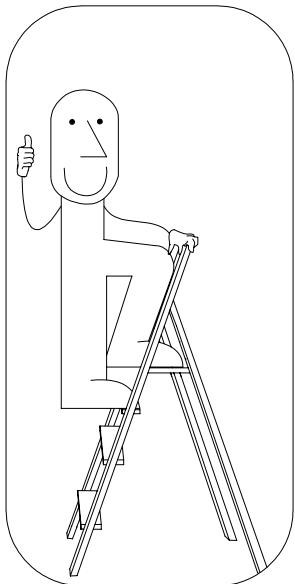
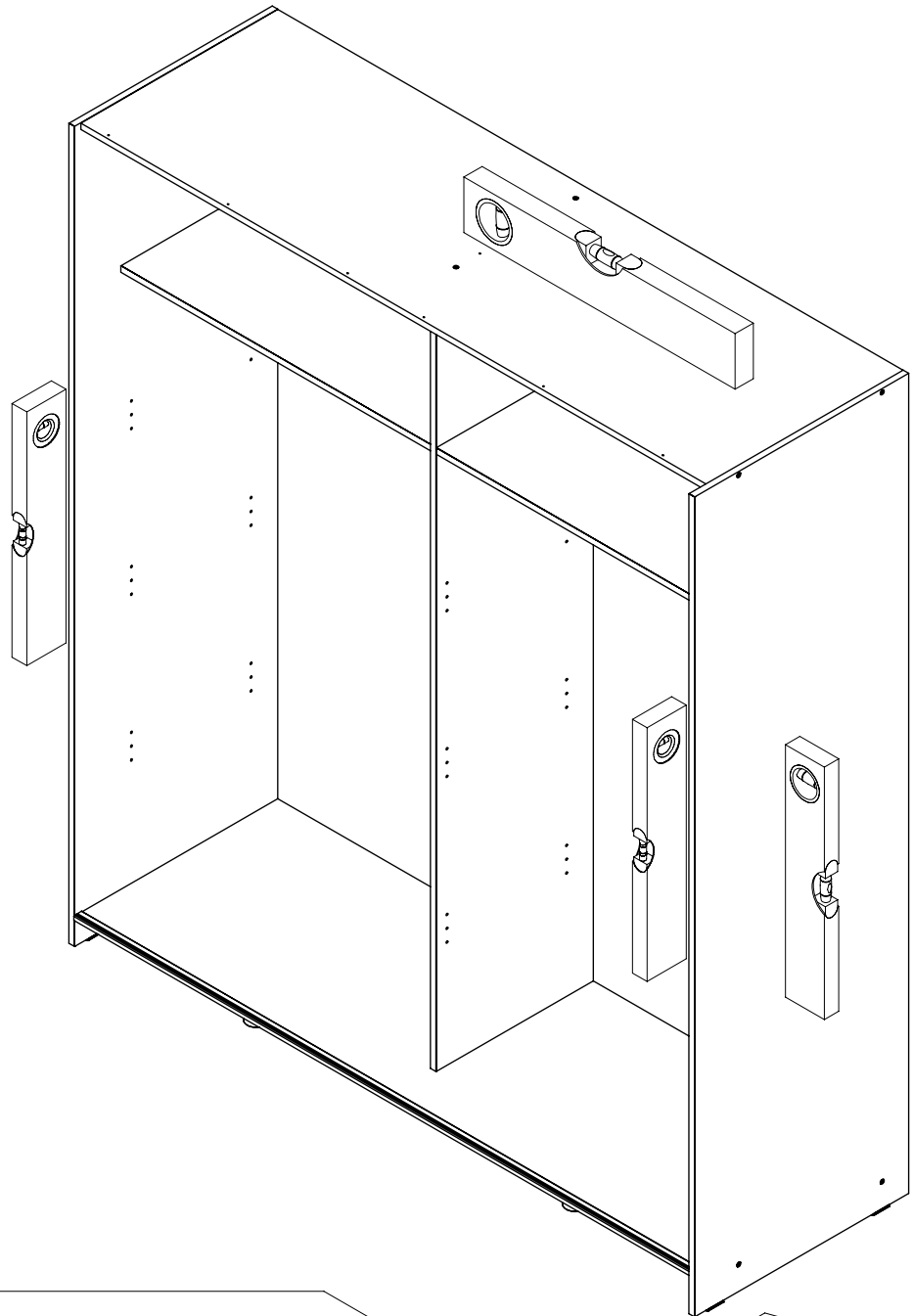
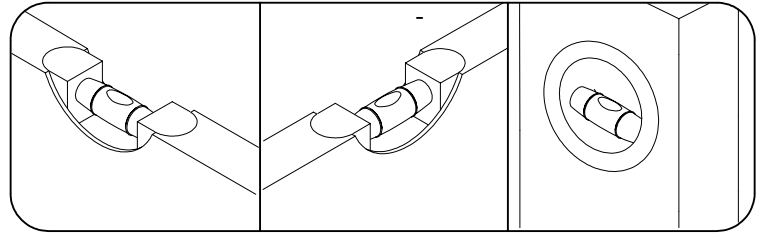
# 13

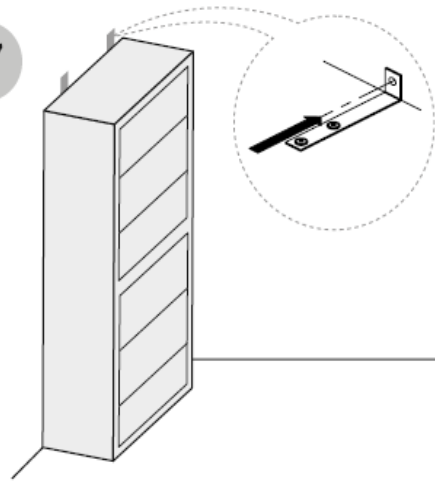
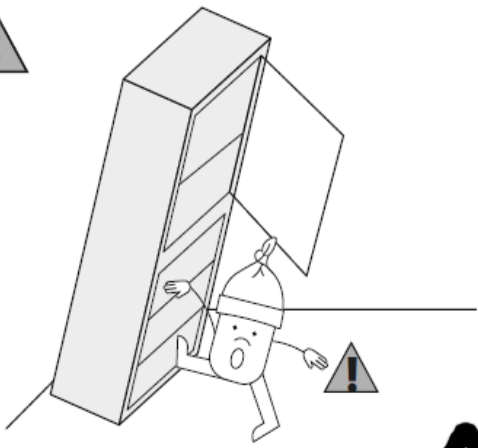


# 14

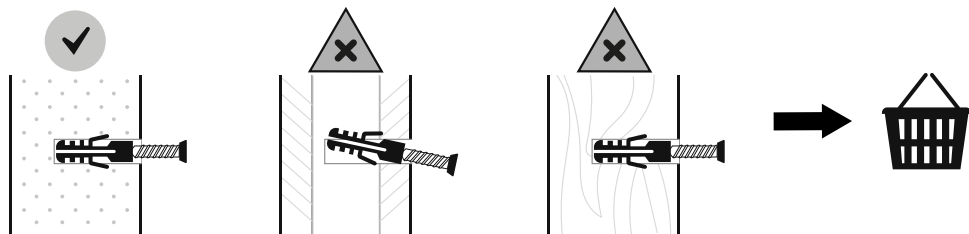


# 15



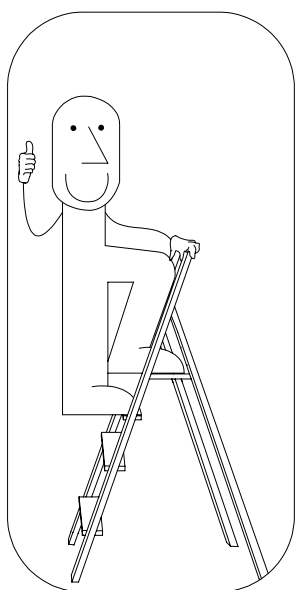
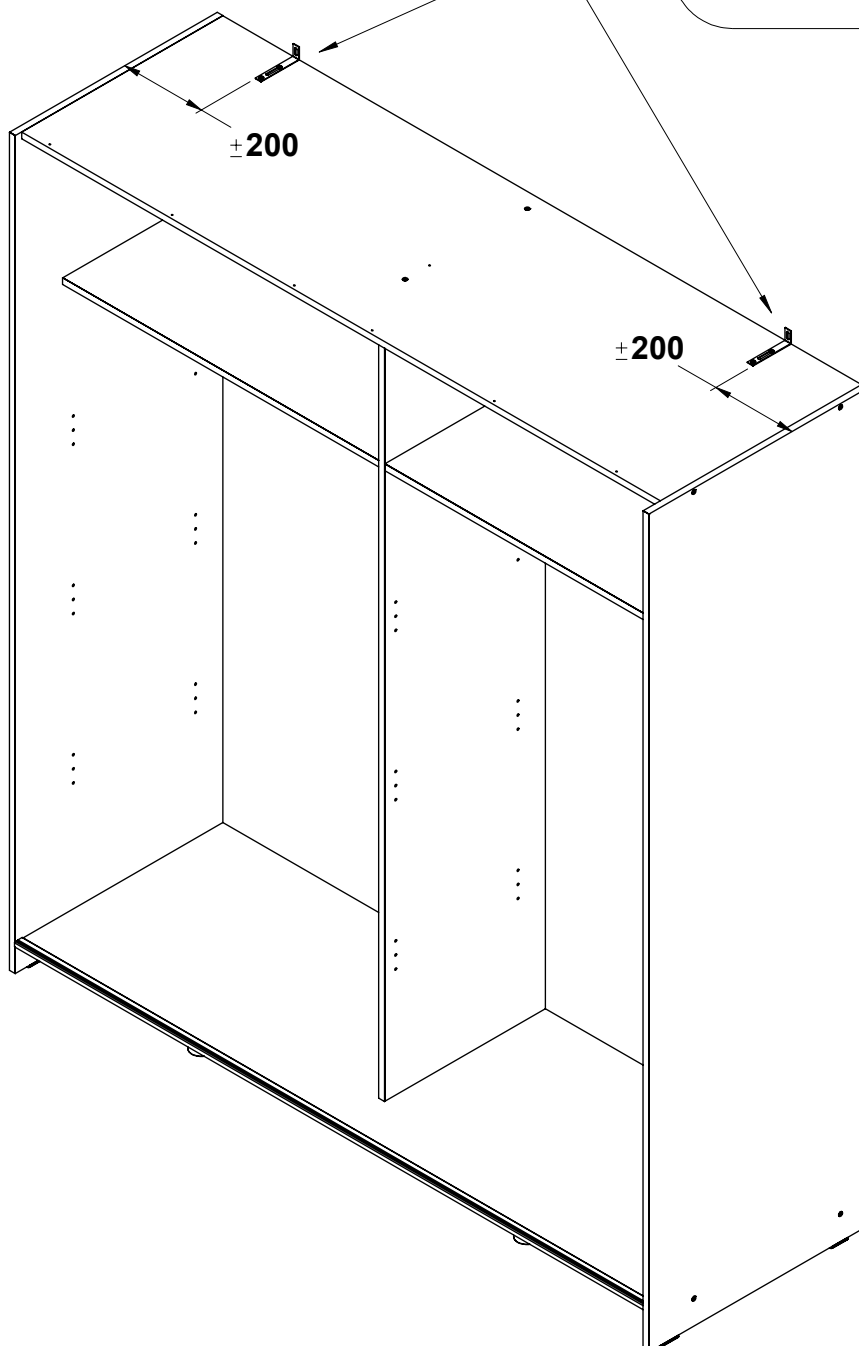
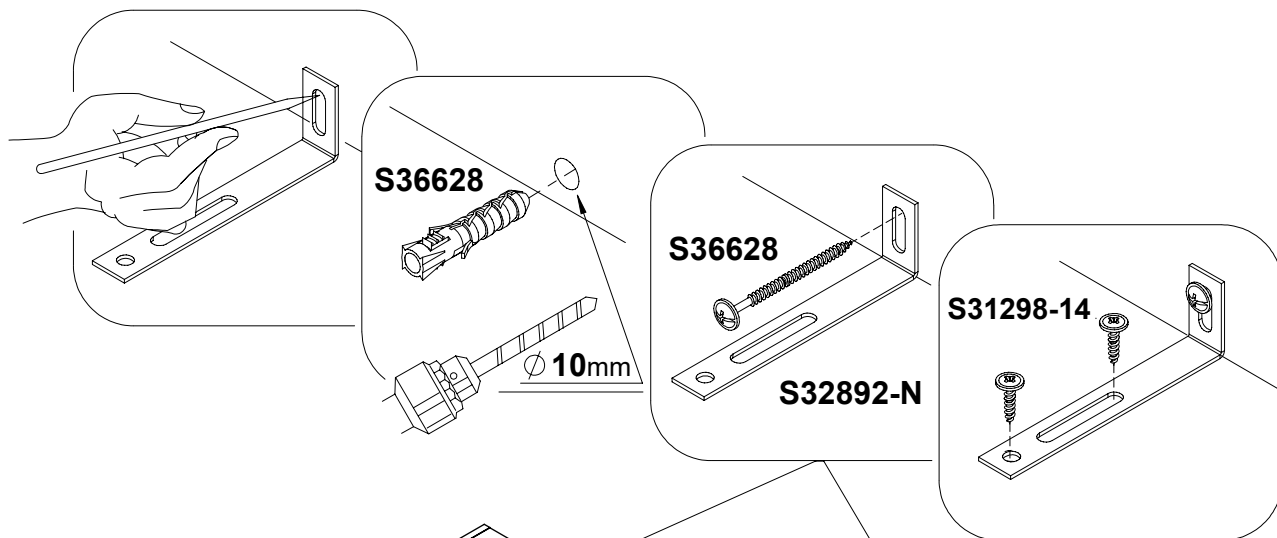


**-EN-** The product requires wall mounting to prevent tipping over, thus protecting the user's health and property.



**-EN-** Before suspending or fixing furniture to the wall (in order to prevent falling over), check the type and strength of the wall. Select wall plugs and screws appropriate for the given type of the wall. In the case of doubts, contact a specialist. The installation must be performed by a competent person. **WARNING!!! If the rawplugs with screws are attached to the product, then they are intended only for wall.**

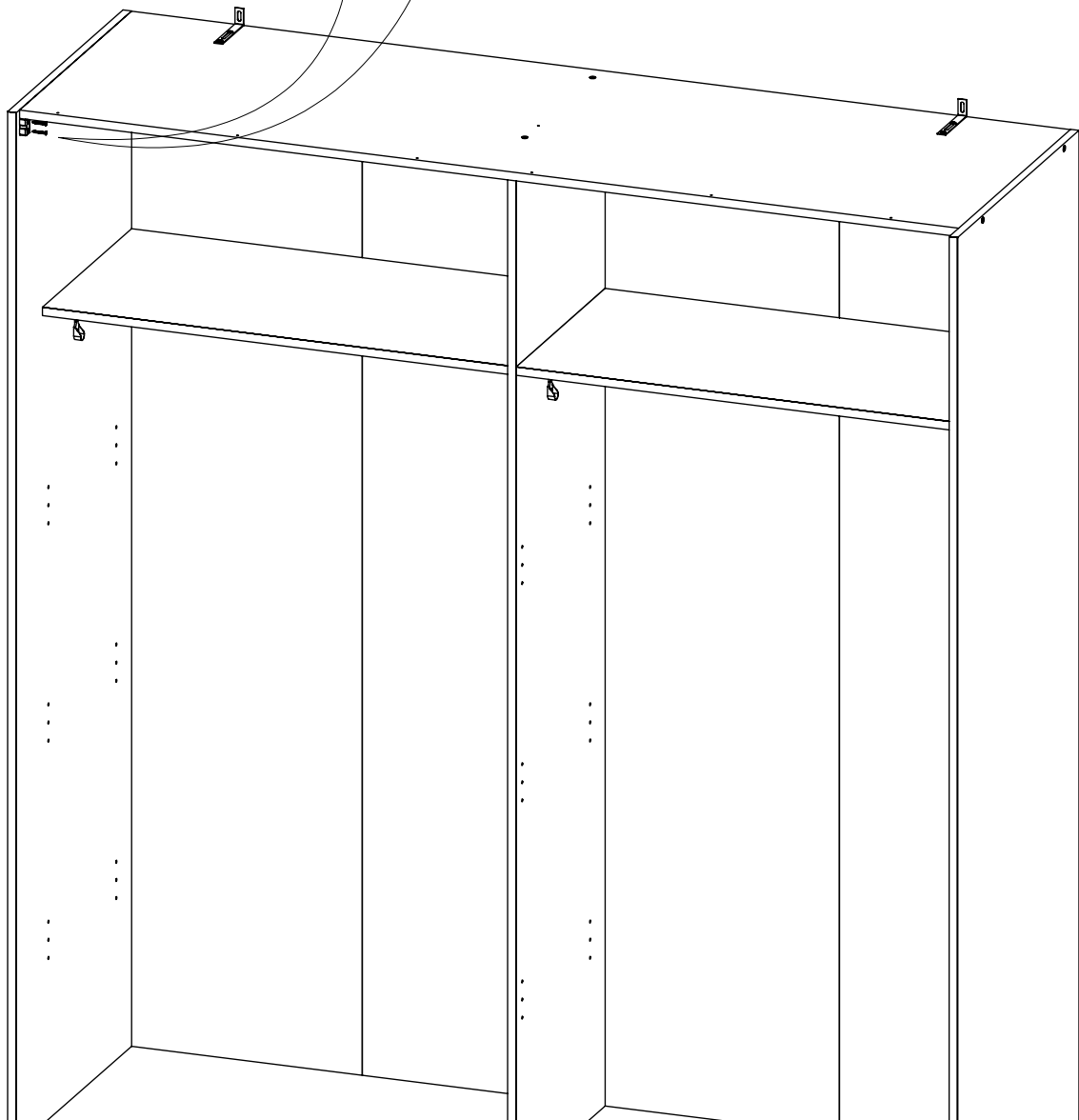
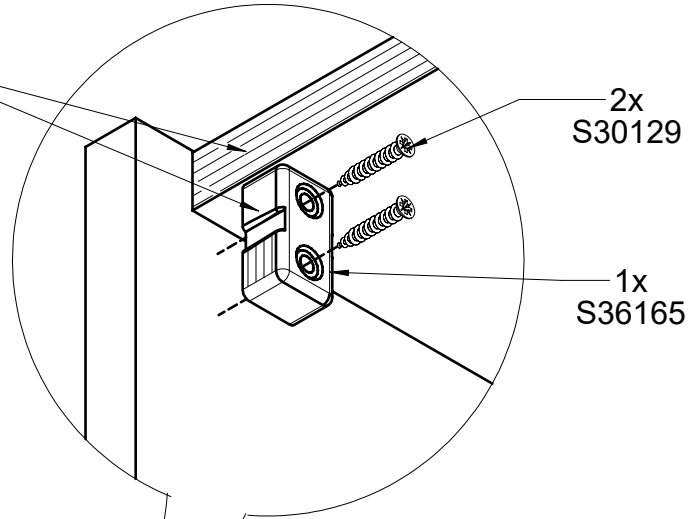
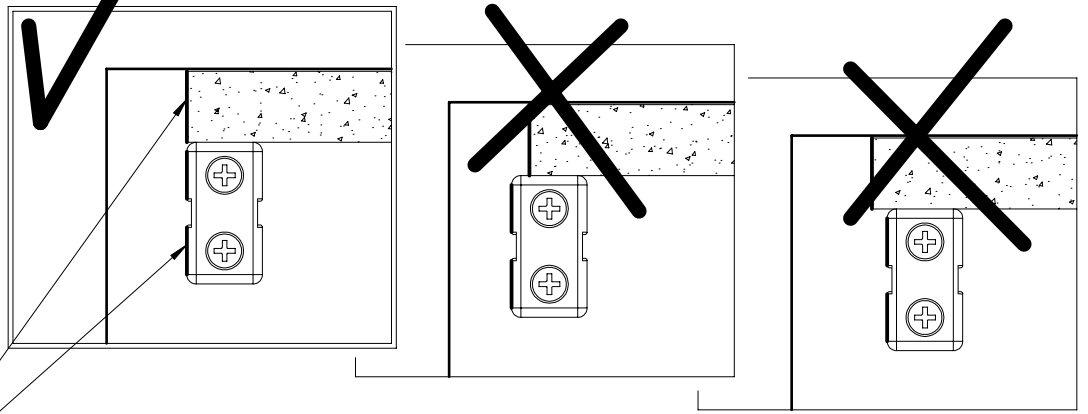
# 16



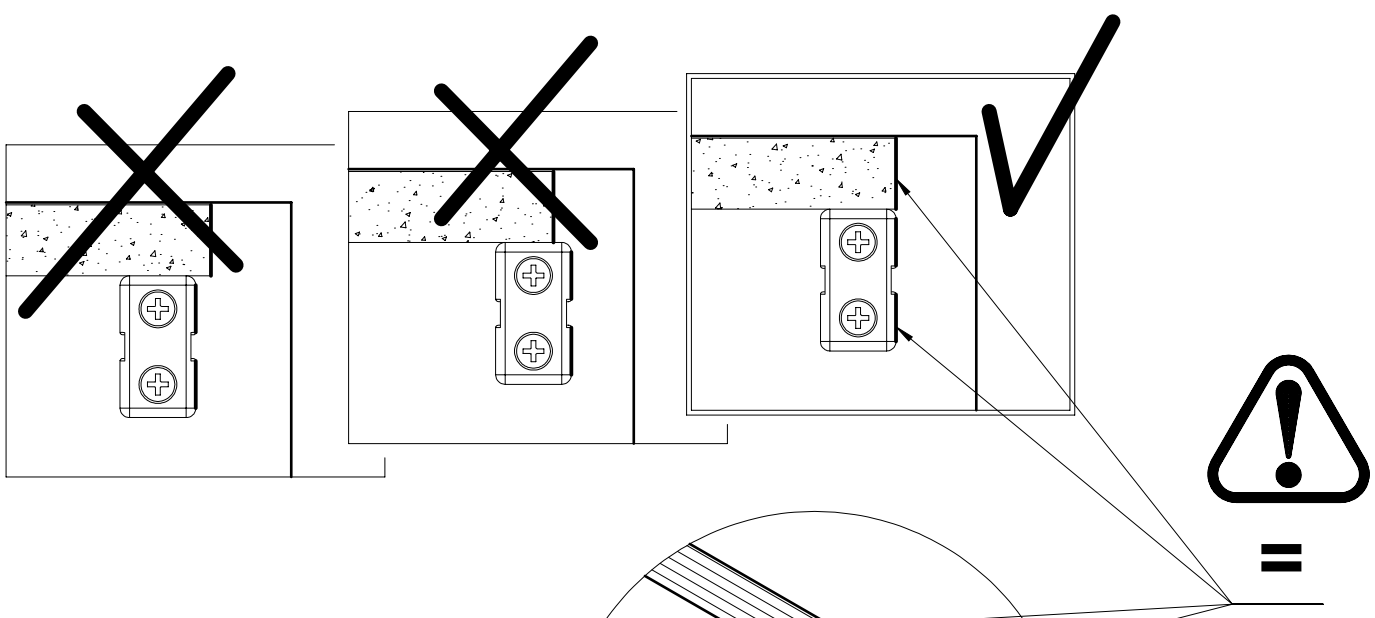
# 17



=

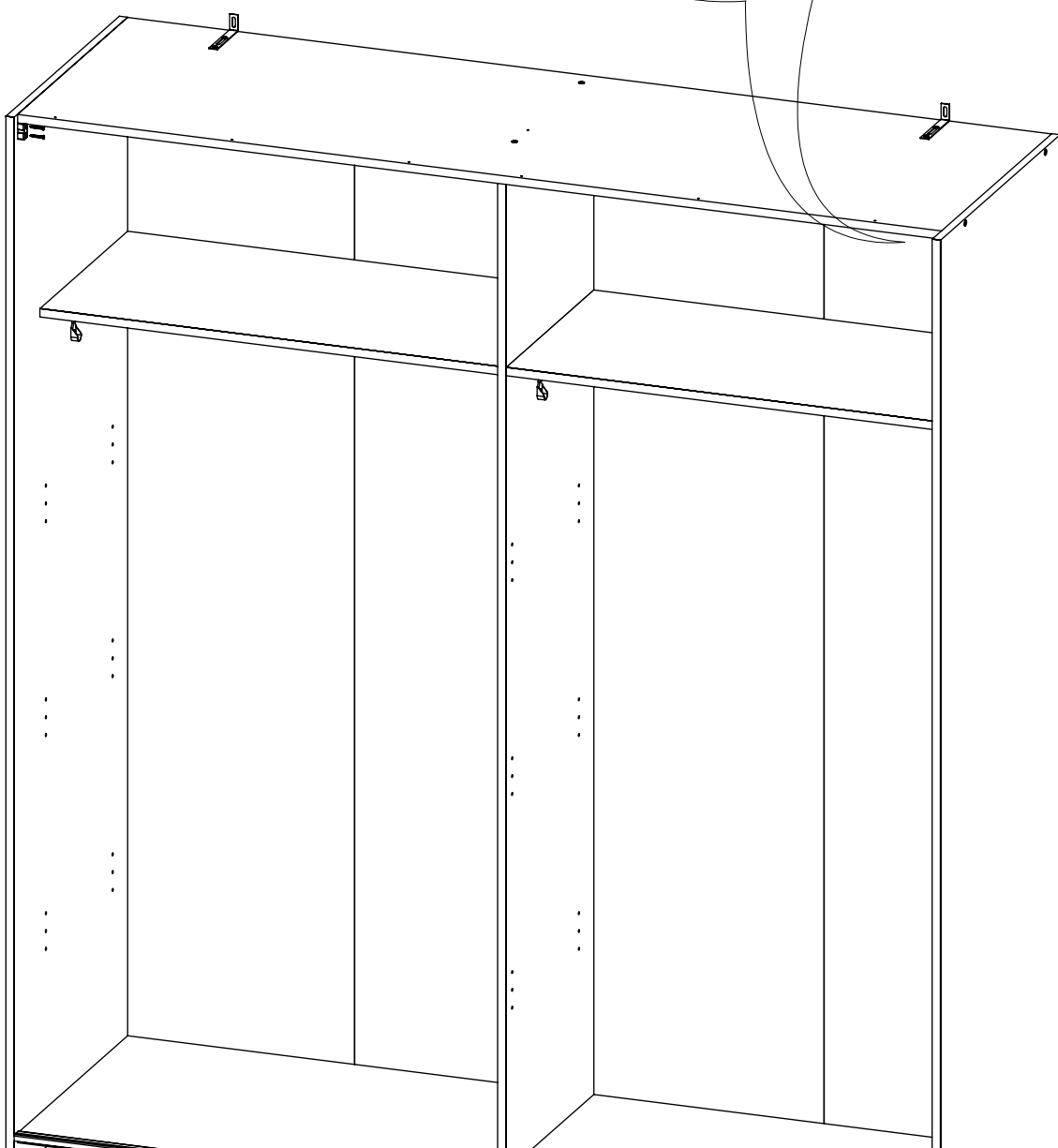
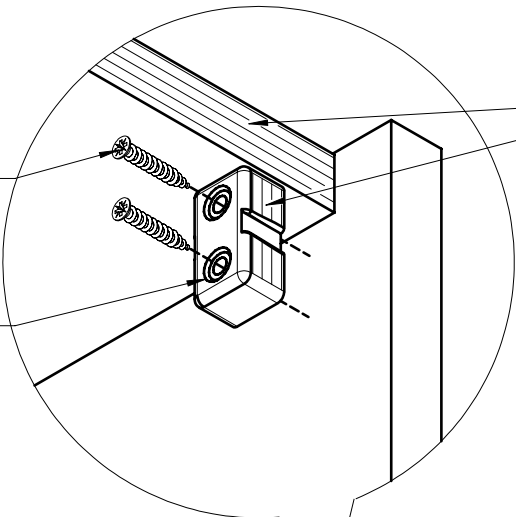


# 18



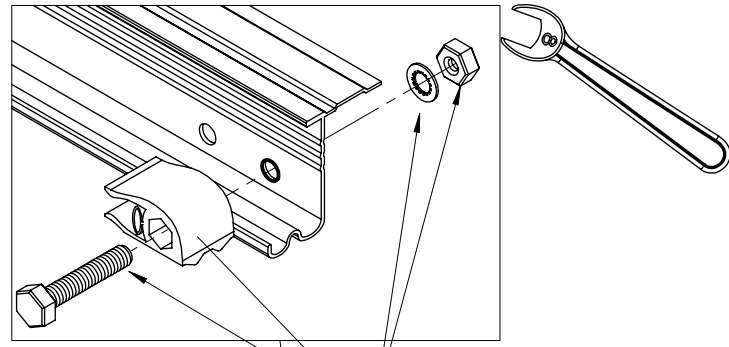
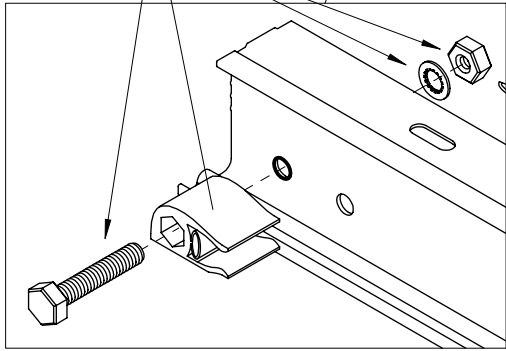
2x  
S30129

1x  
S36165



# 19

1x  
S36482-N

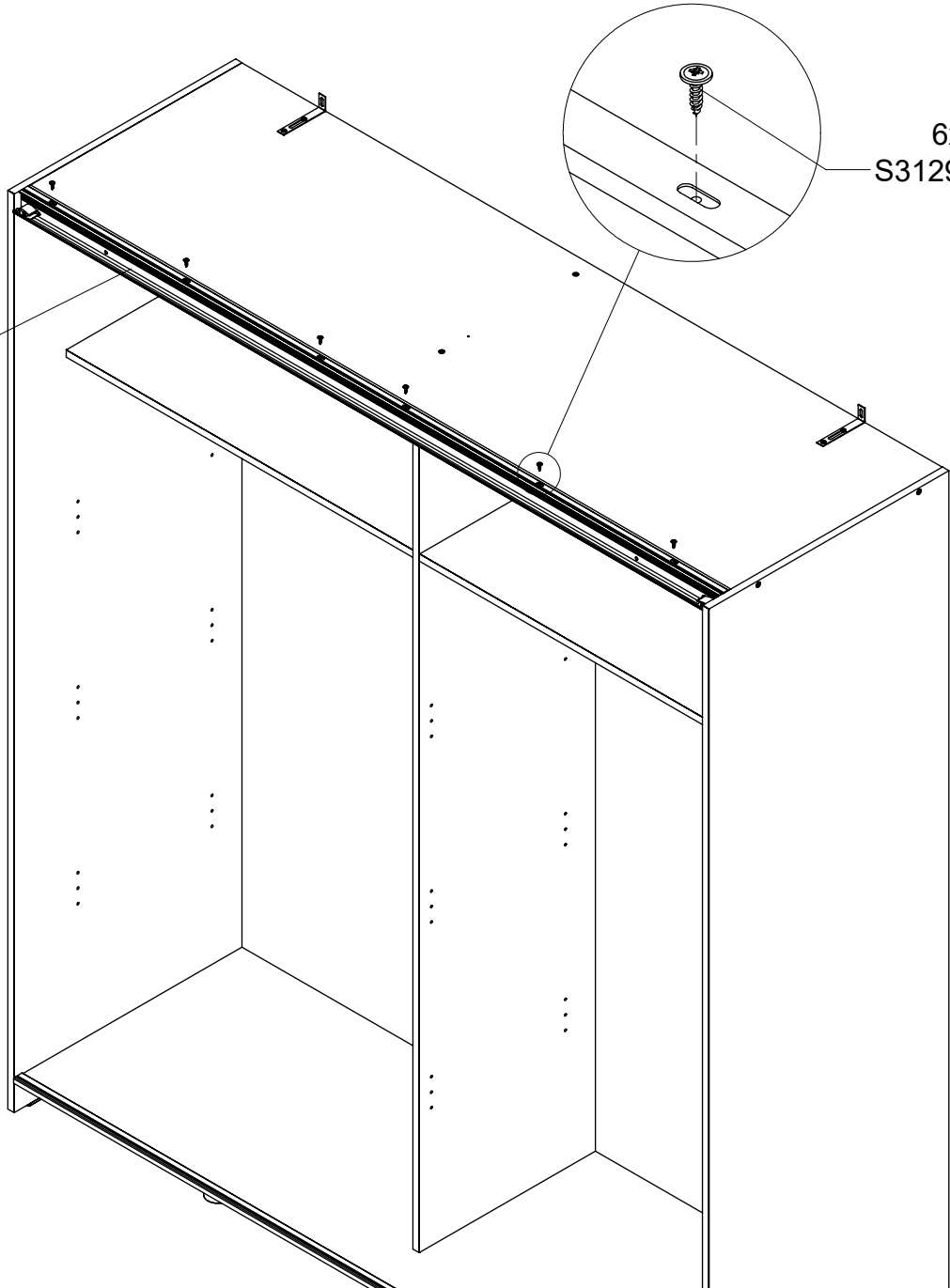


1x  
S36482-N

1x  
S37911-N

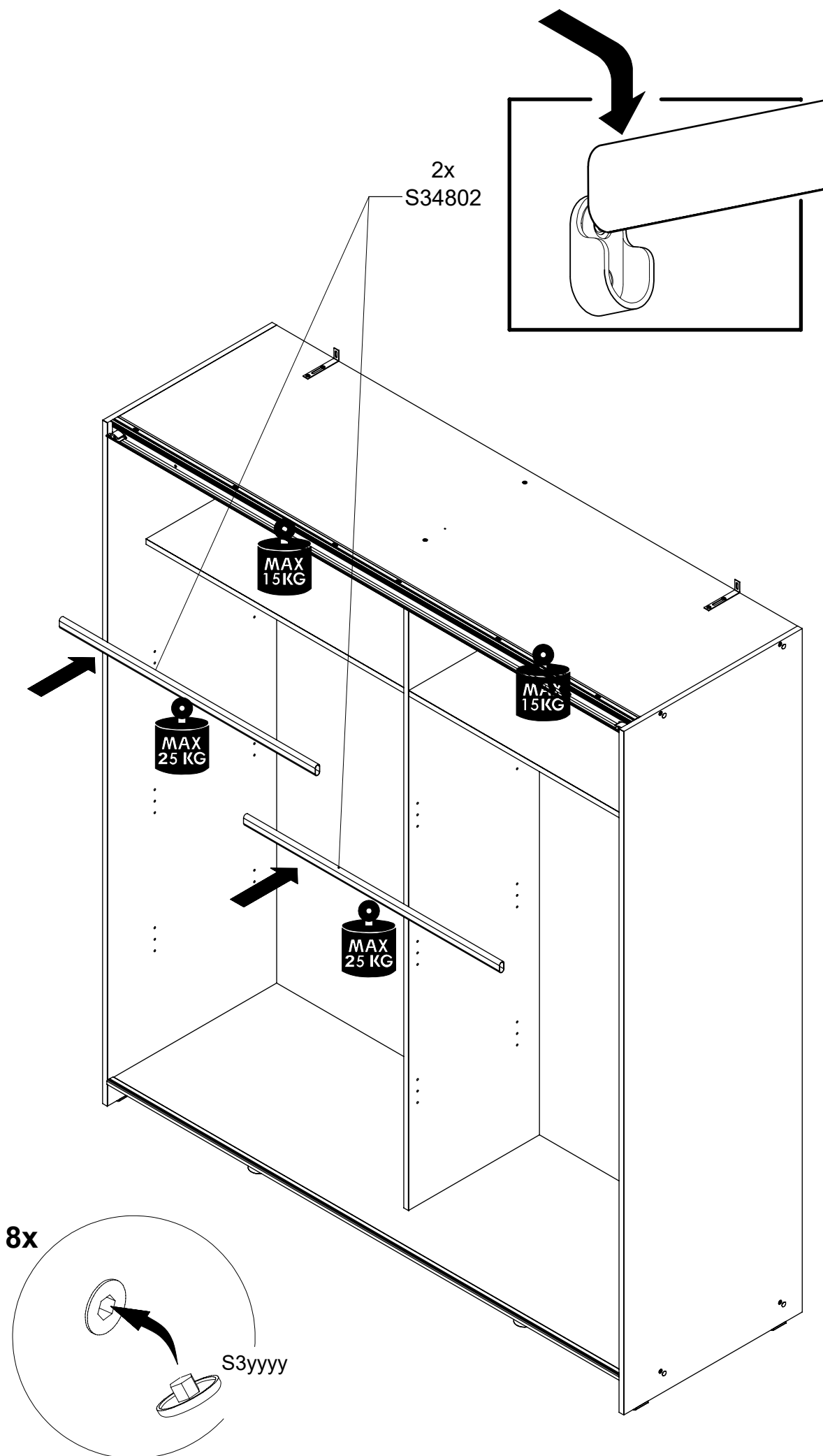
# 20

1x  
S37911-N

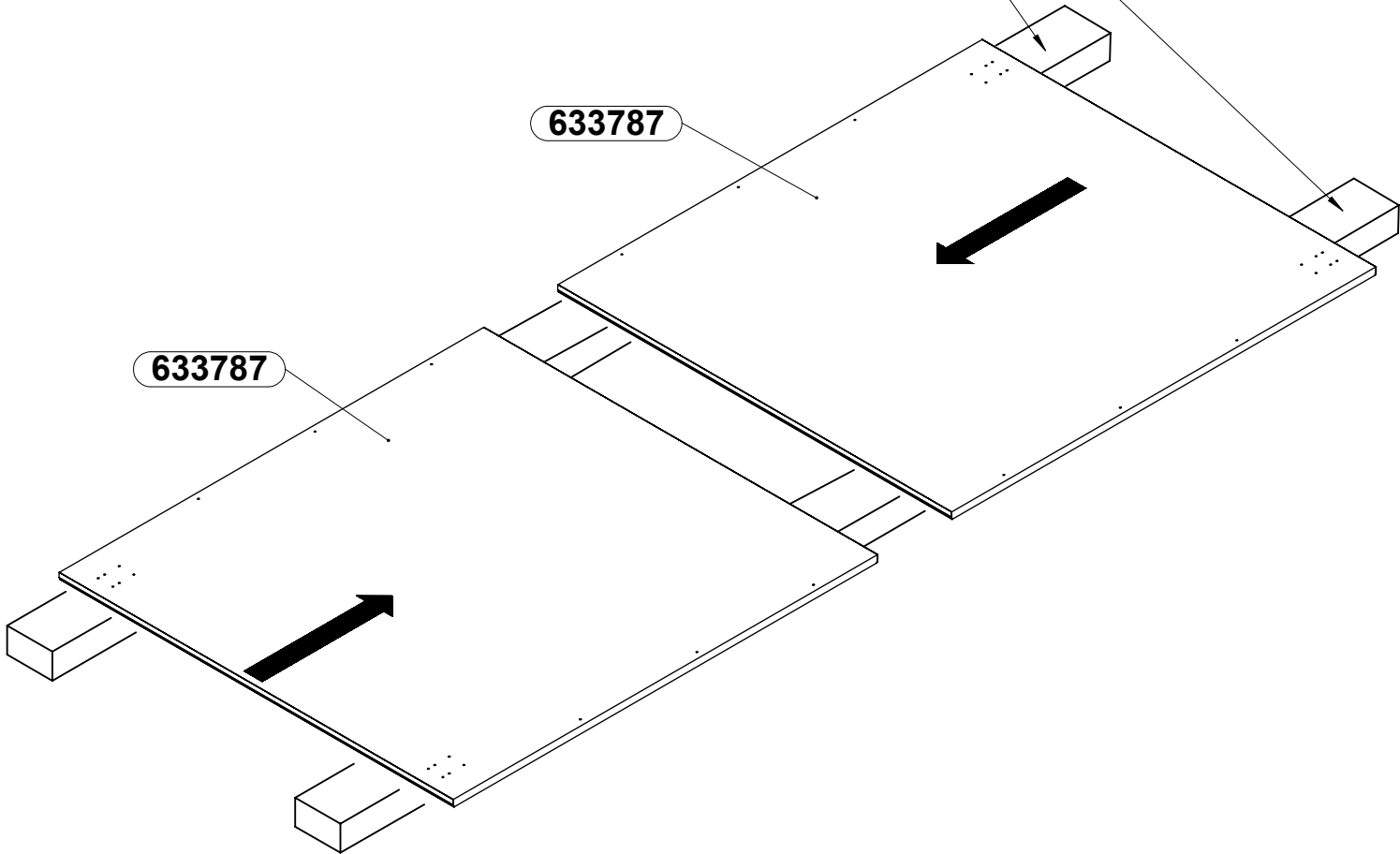
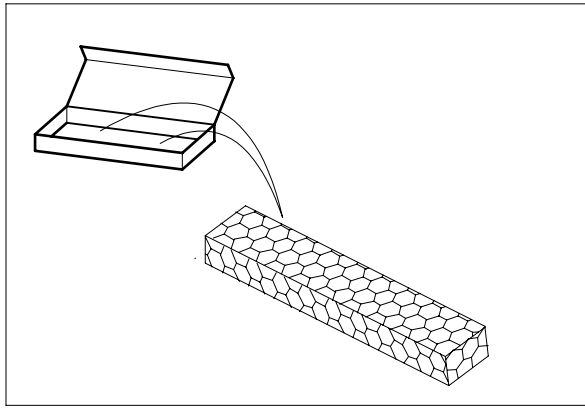


6x  
S31298-14

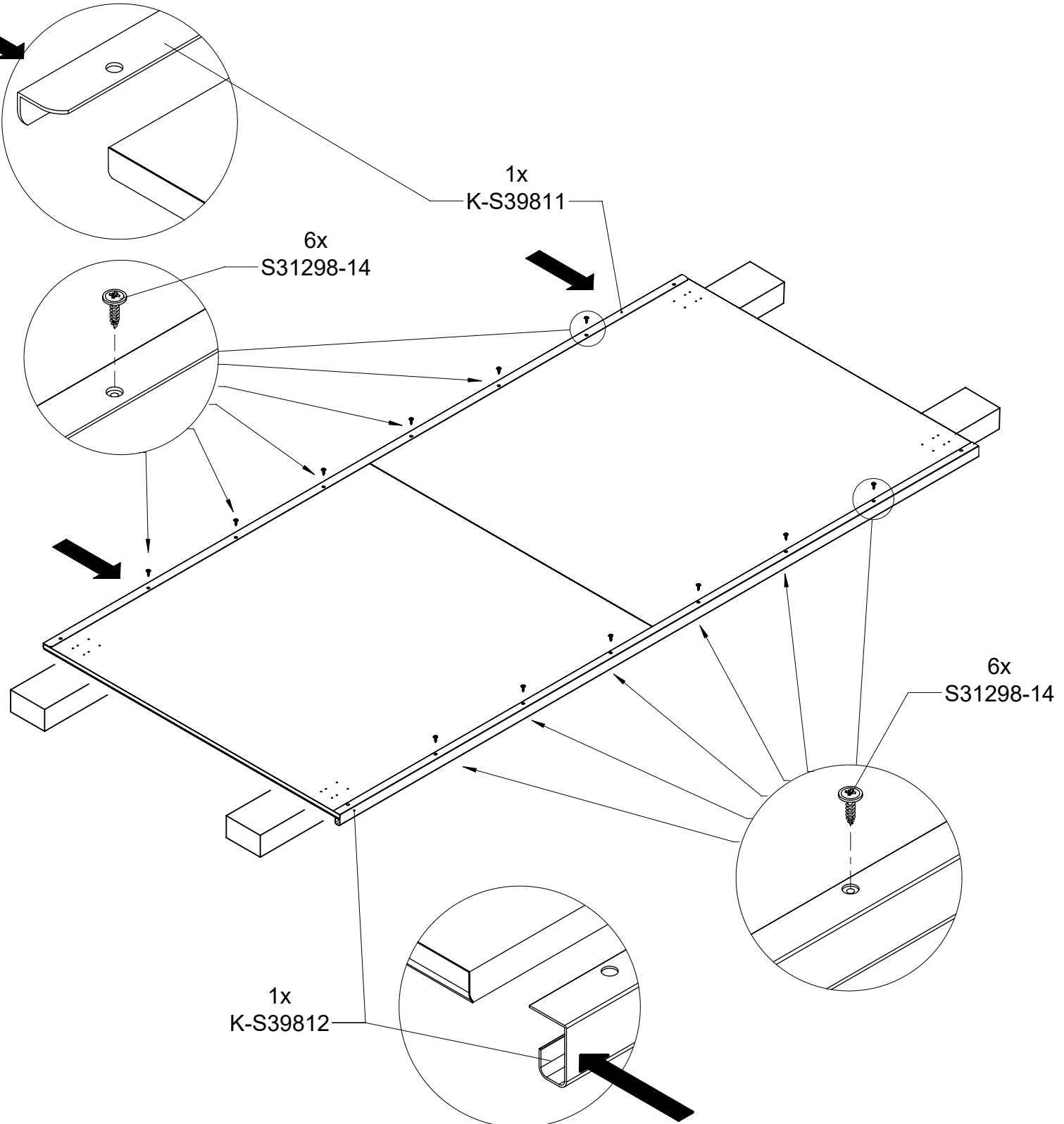
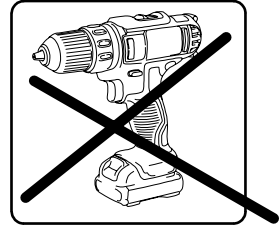
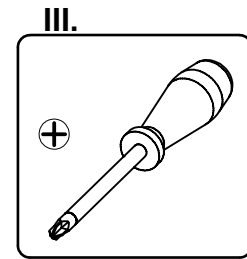
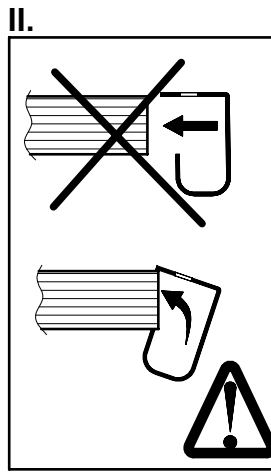
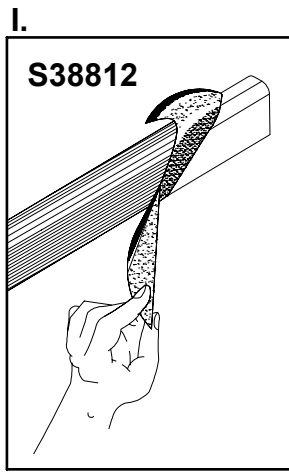
# 21



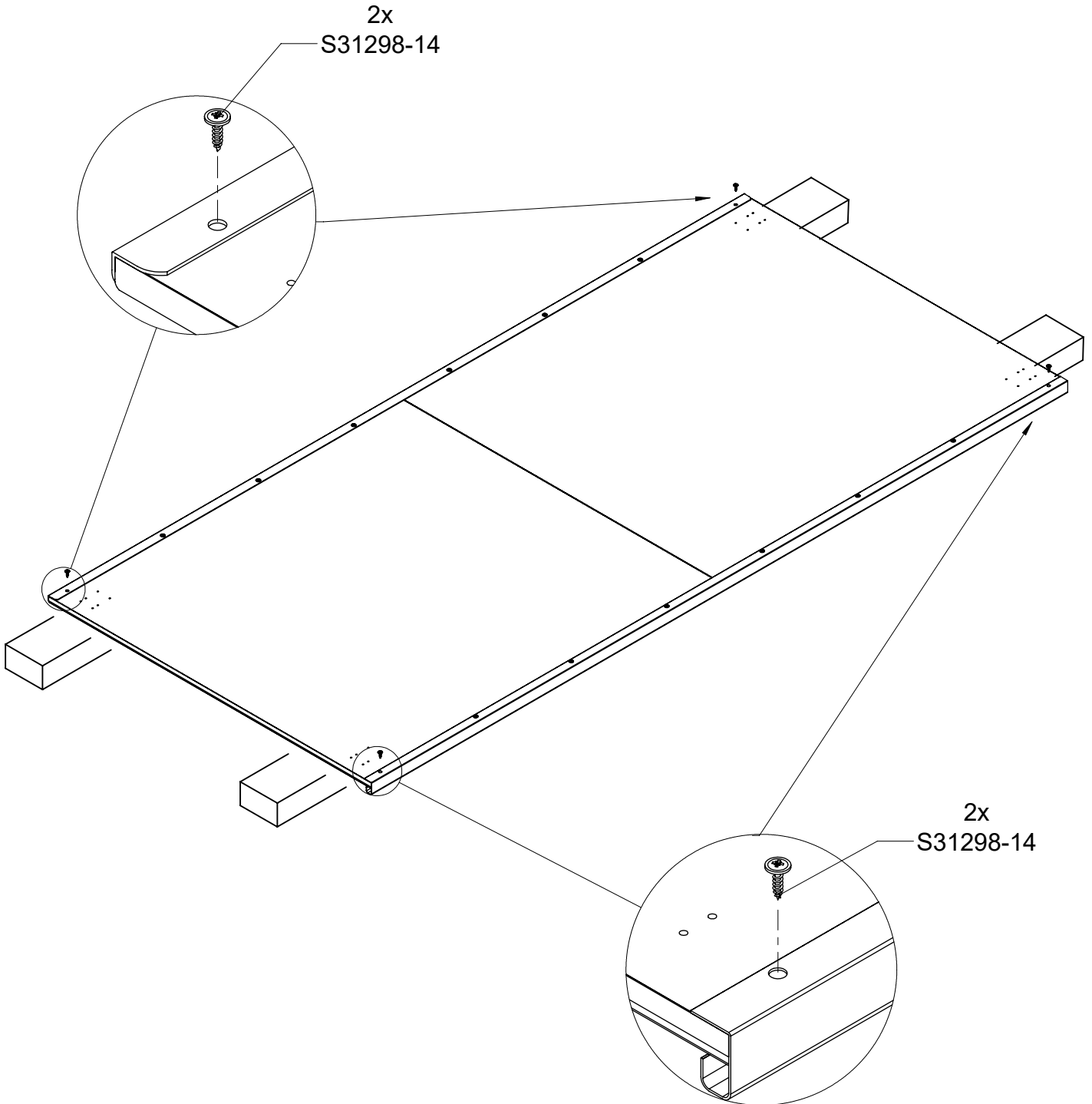
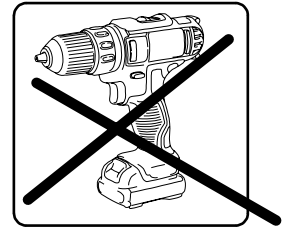
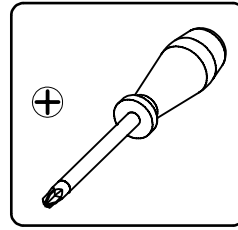
# 22x1



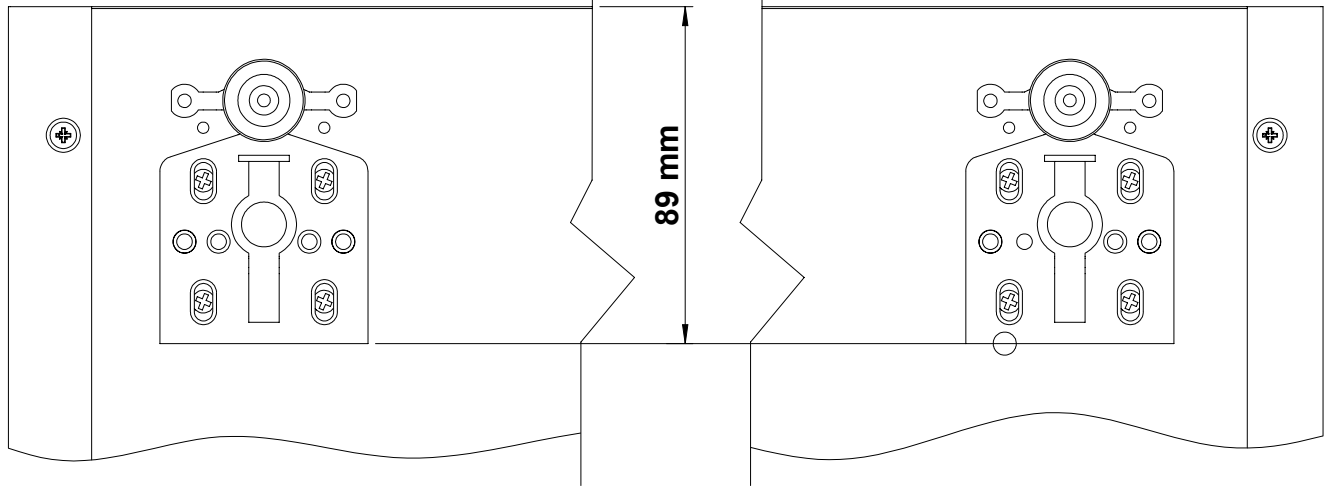
# 23x1



# 24 x1

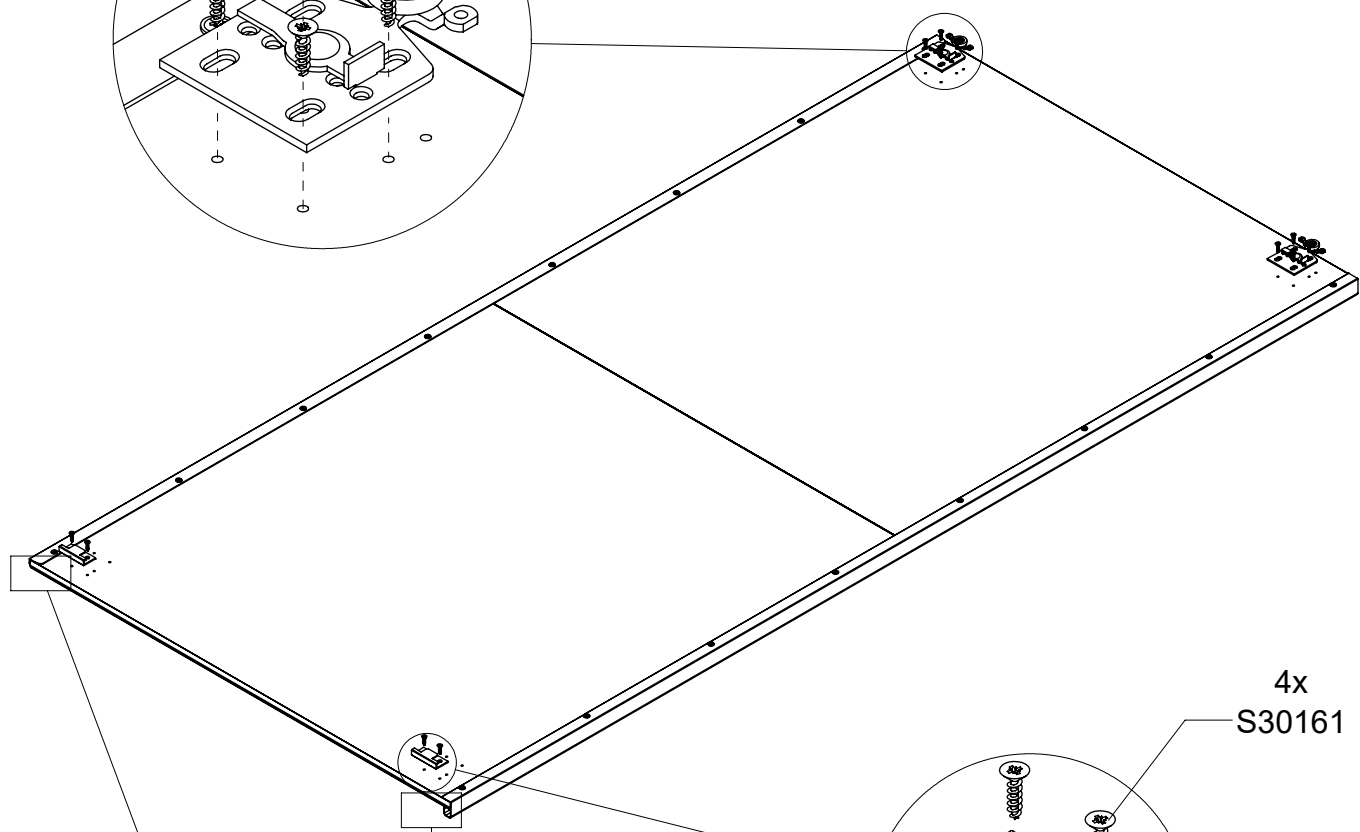
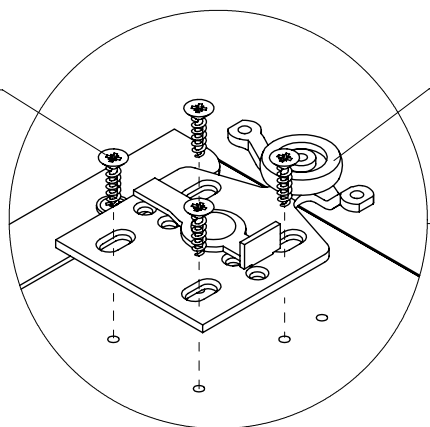


# 25 x 1



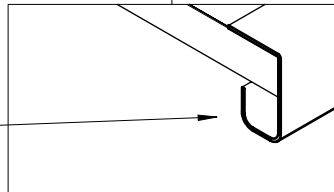
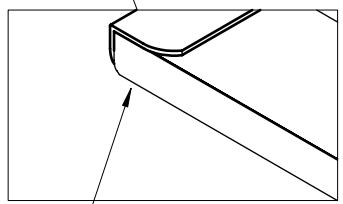
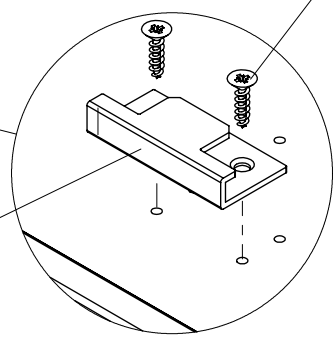
8x  
S30161

2x  
S36479-N

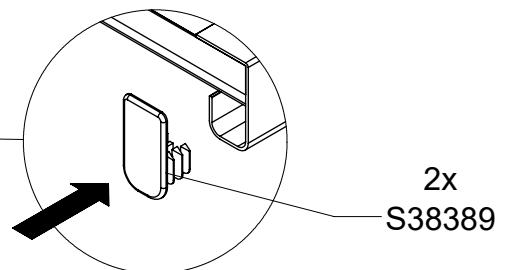
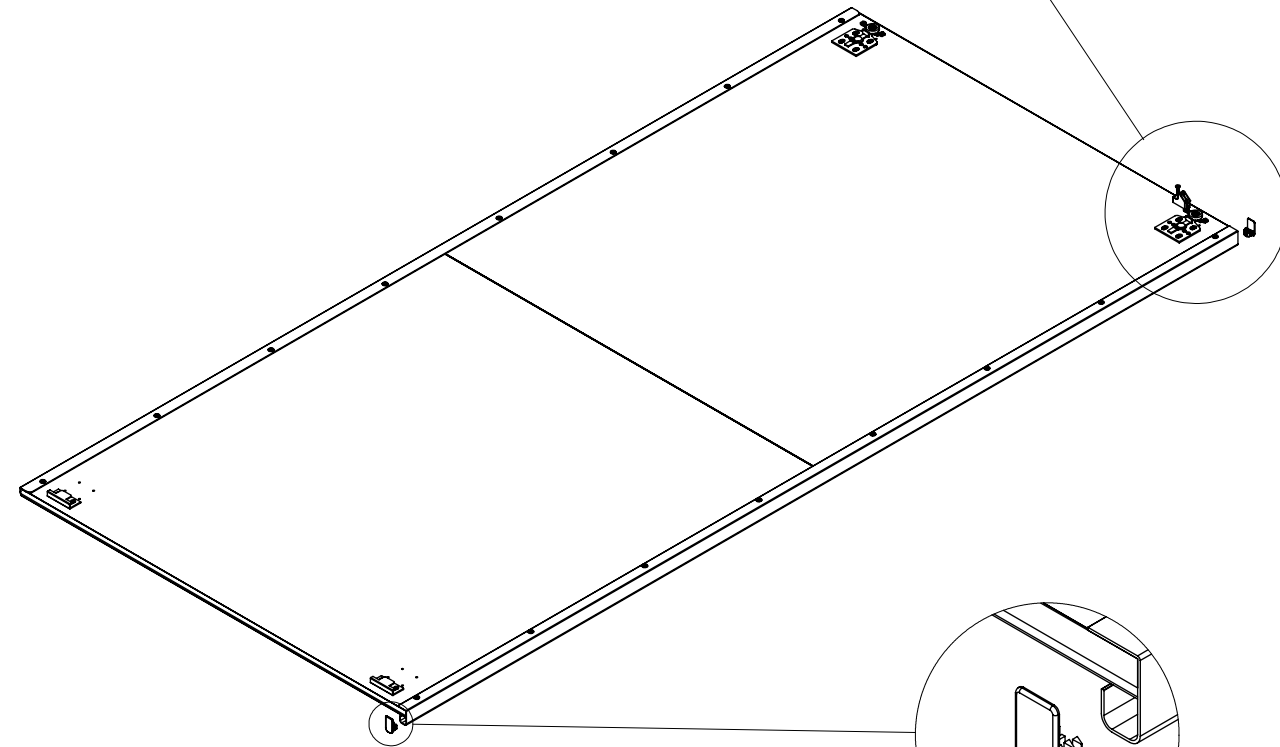
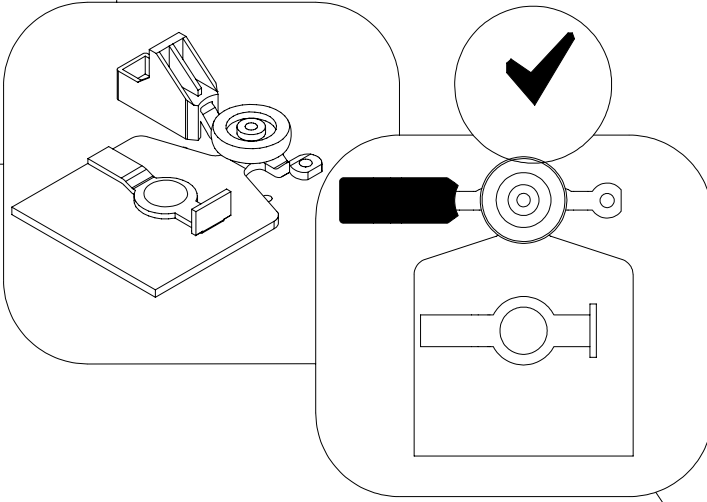
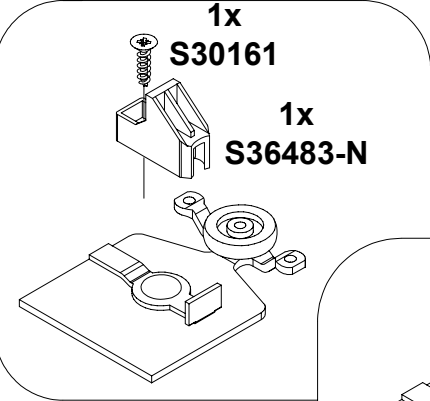
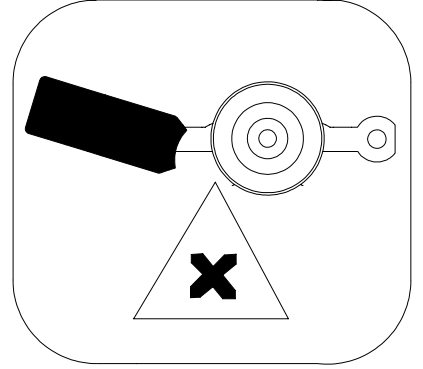
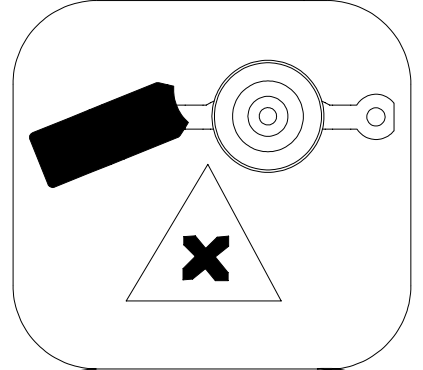
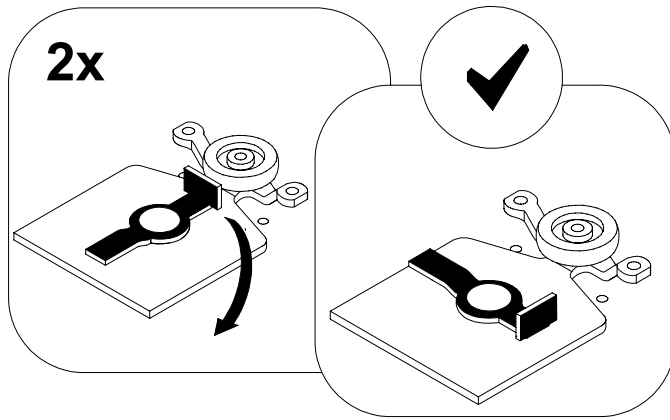


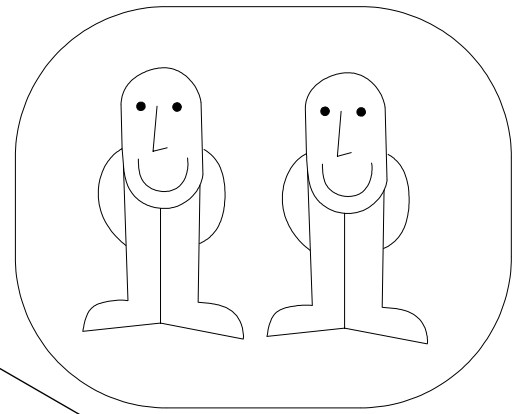
4x  
S30161

2x  
S36481-N

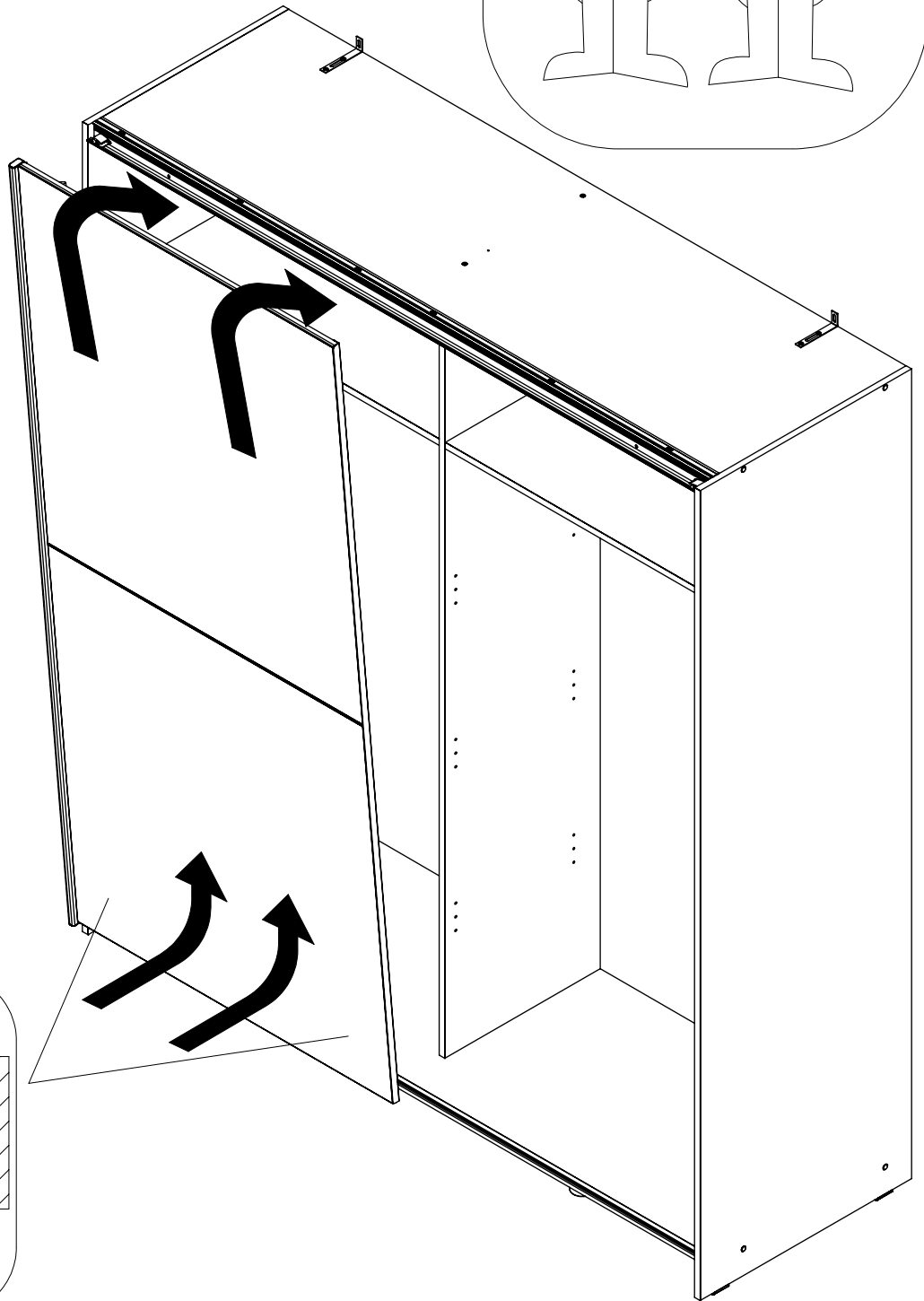


# 26 x1

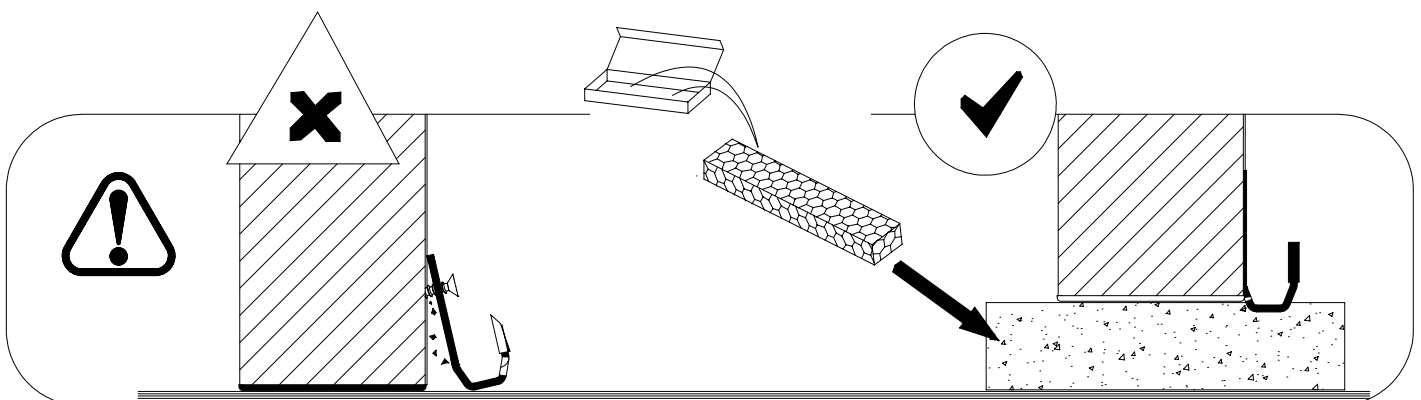
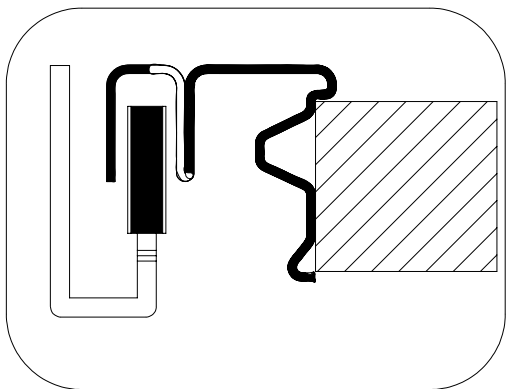




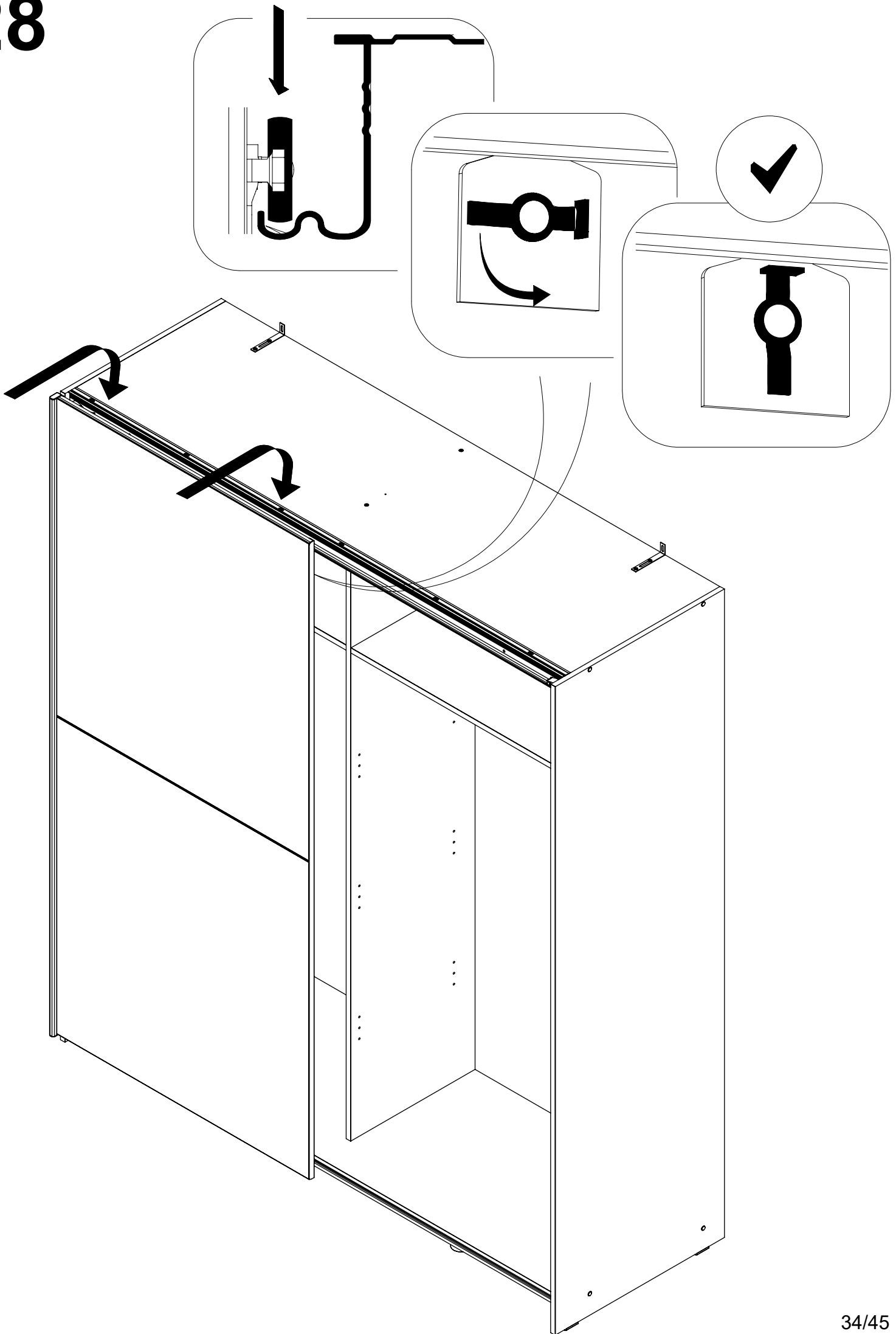
II.



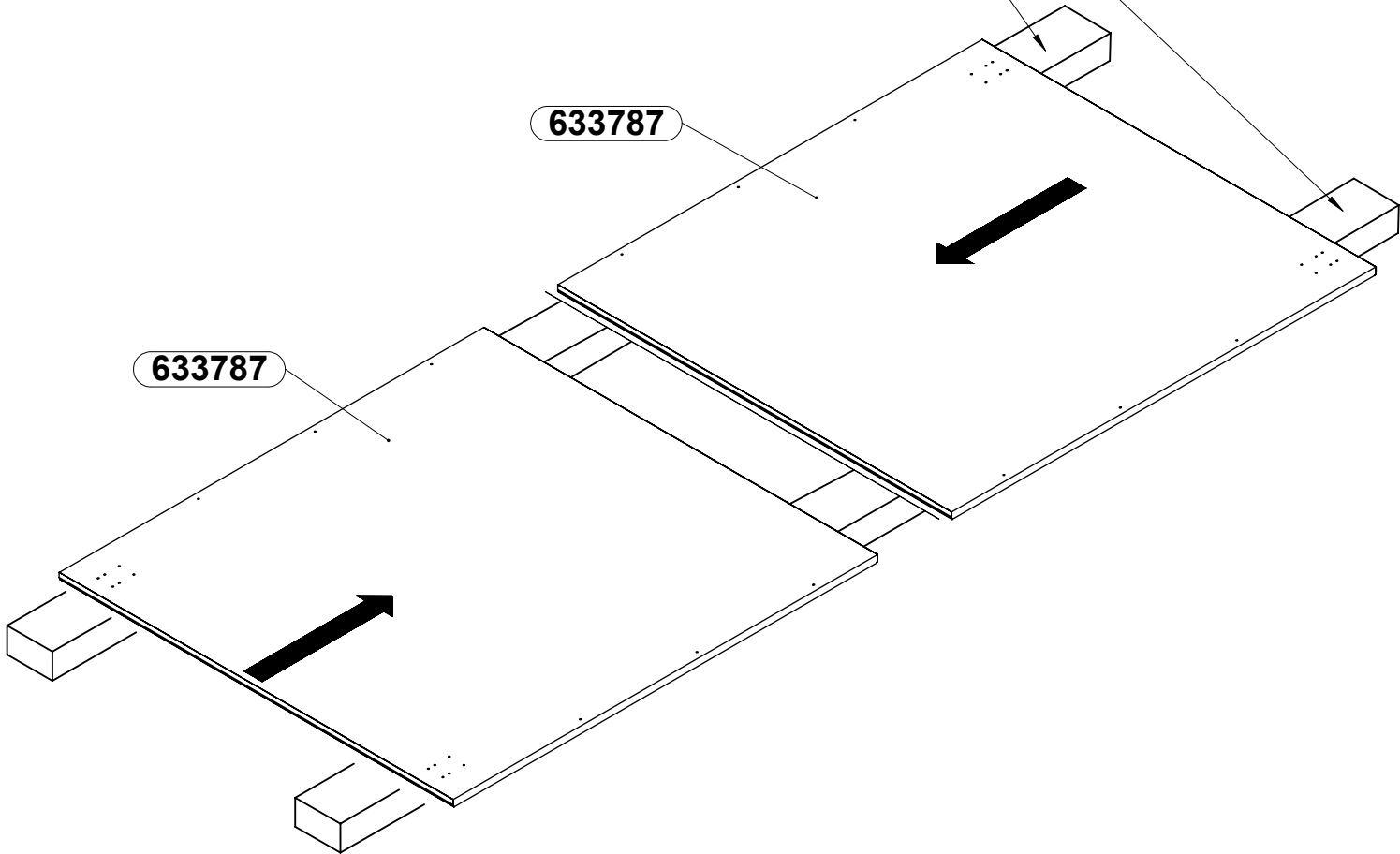
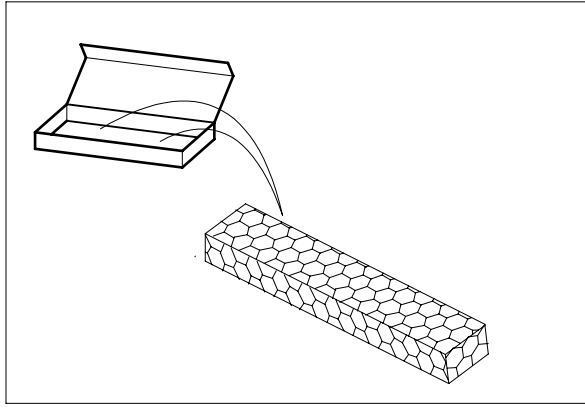
I.



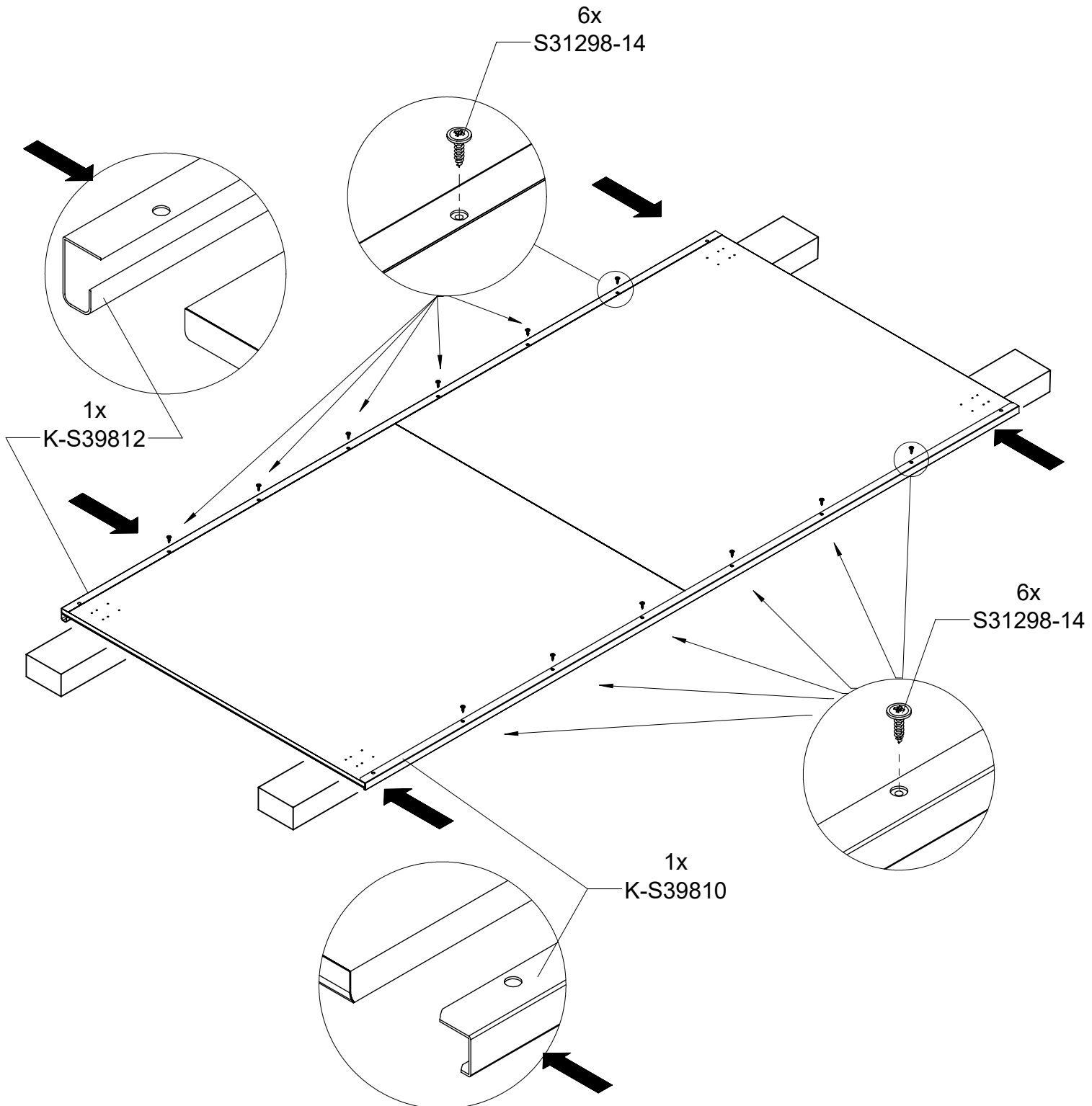
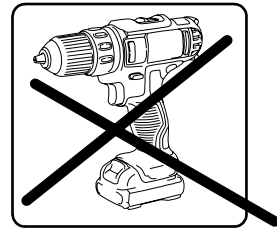
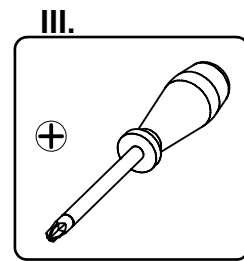
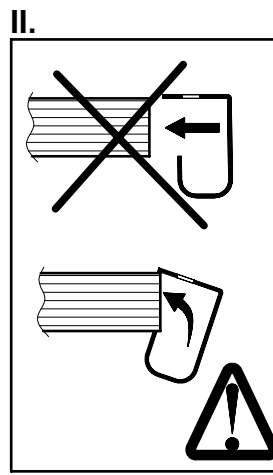
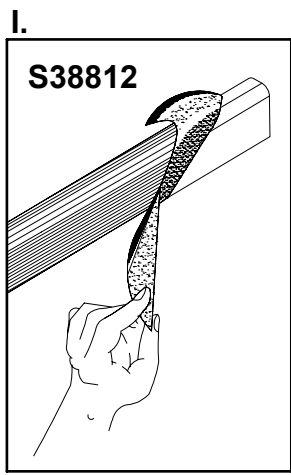
# 28



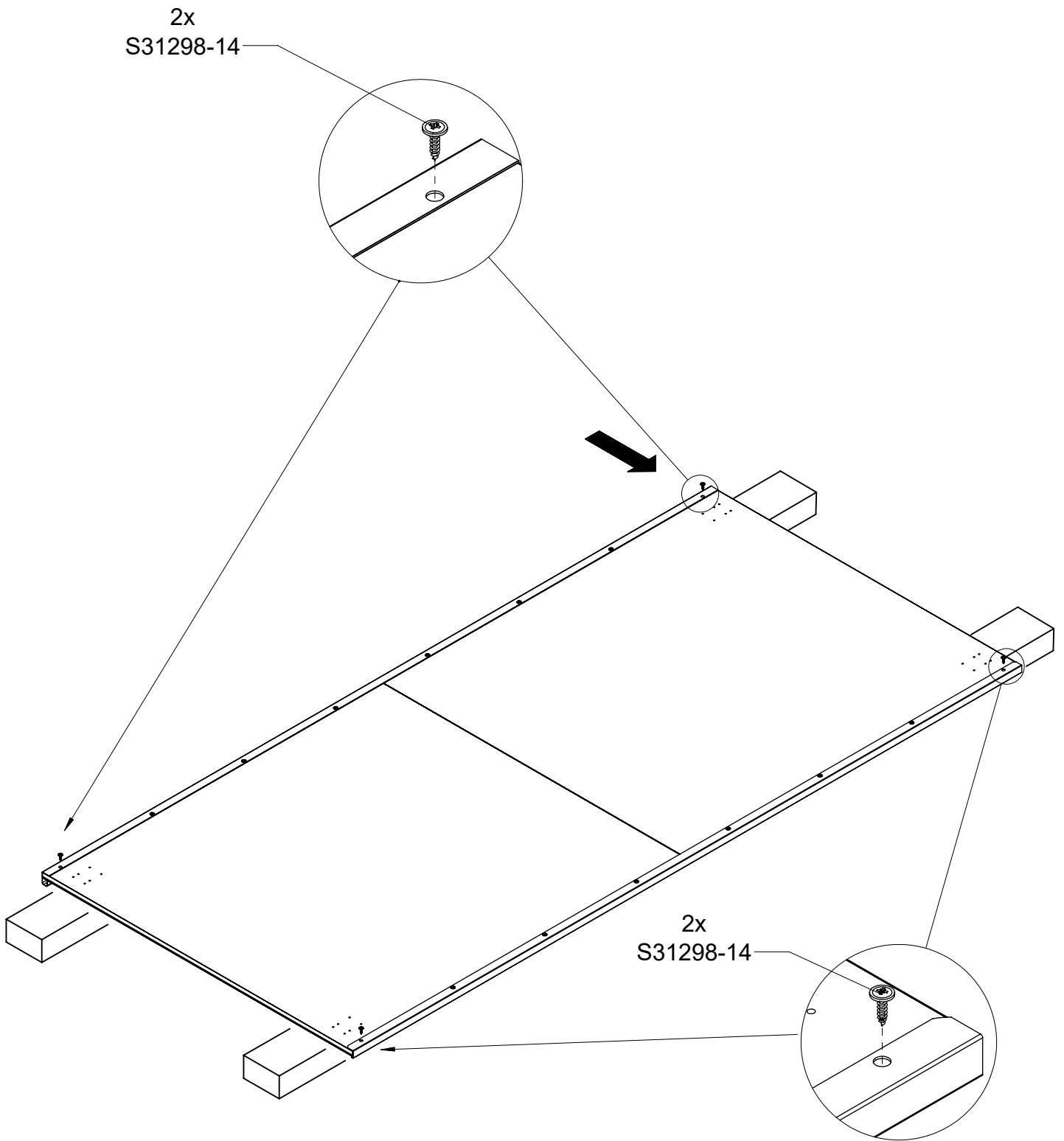
# 29 x1



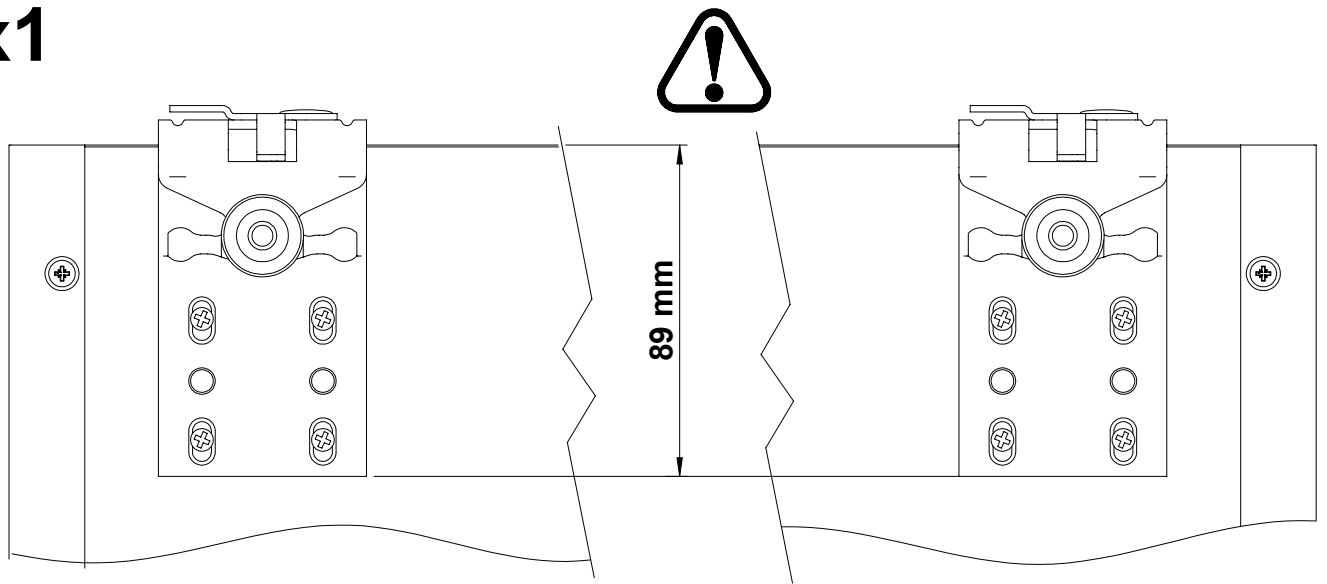
# 30x1



# 31 x1

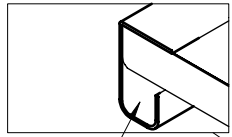
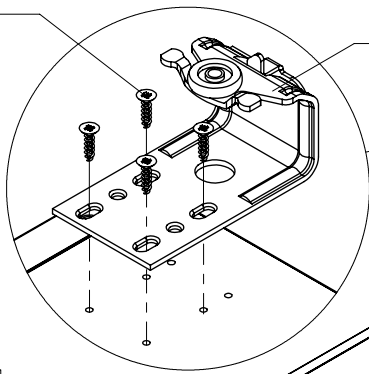


# 32x1



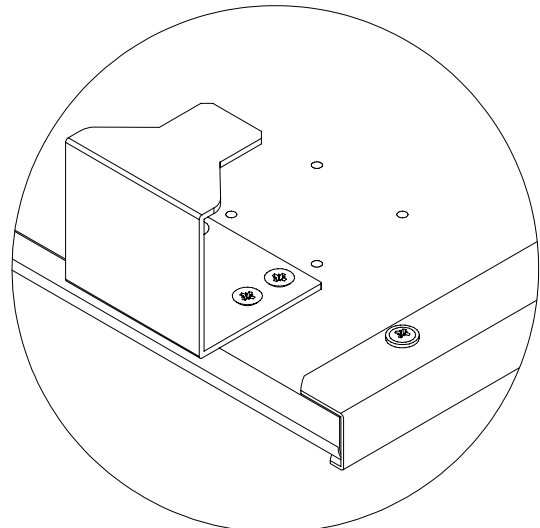
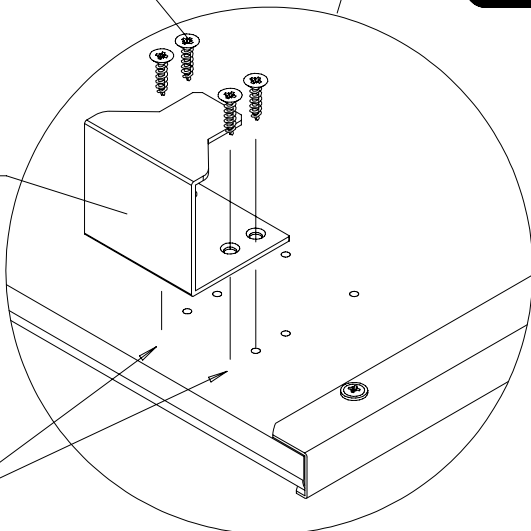
8x  
S30161

2x  
S36478-N

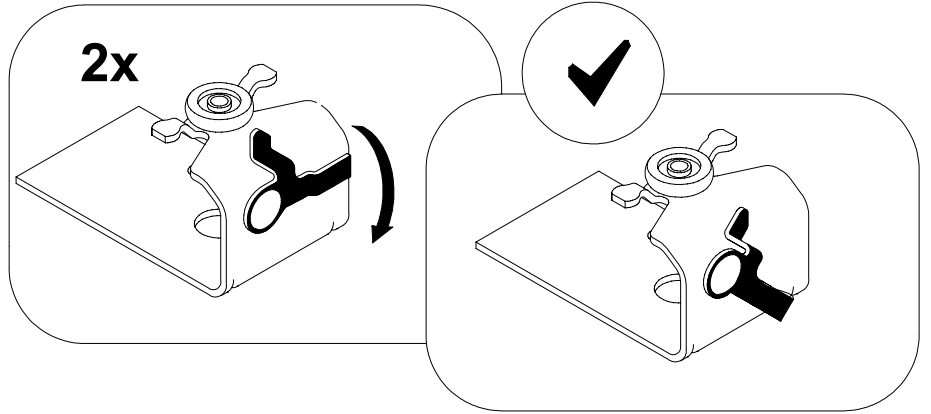


8x  
S30161

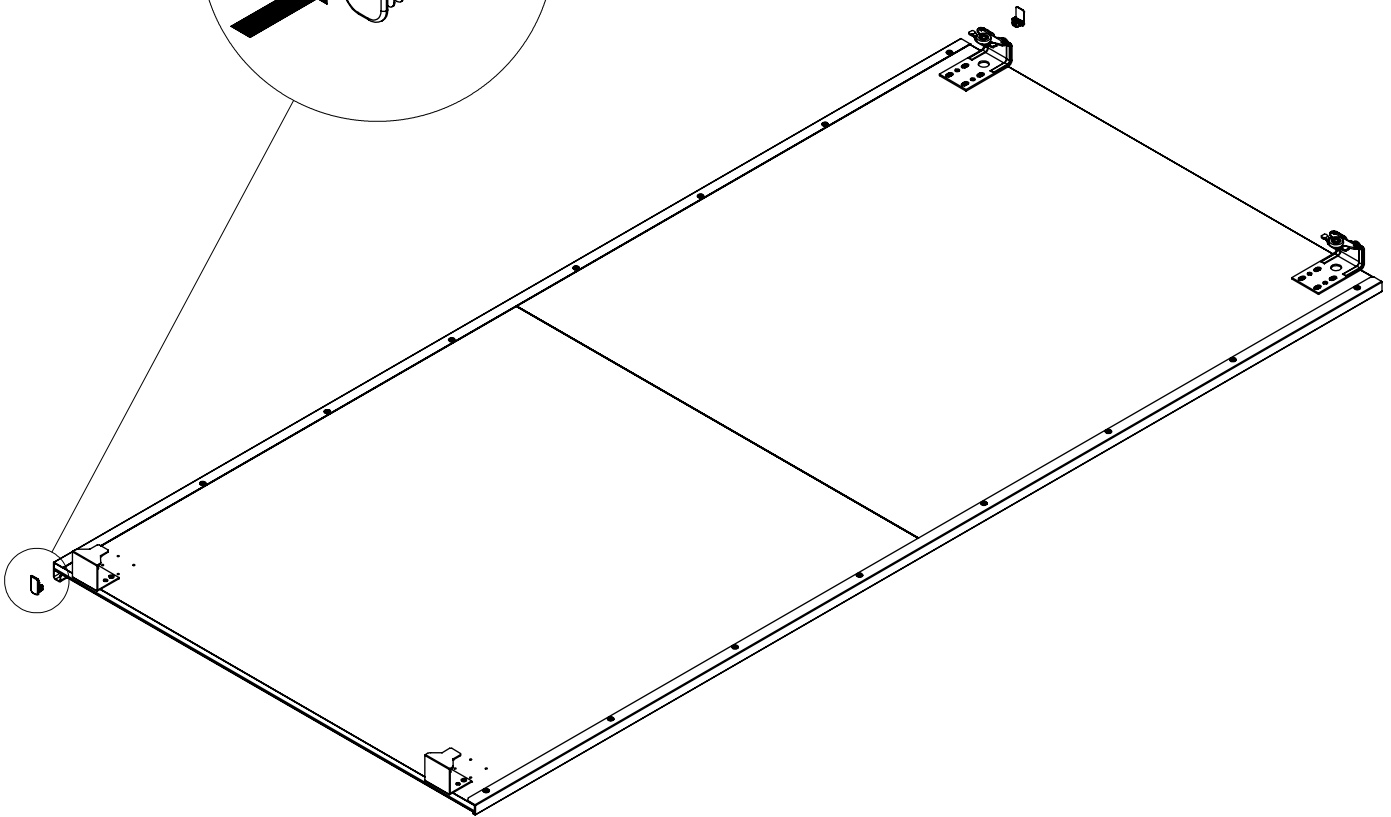
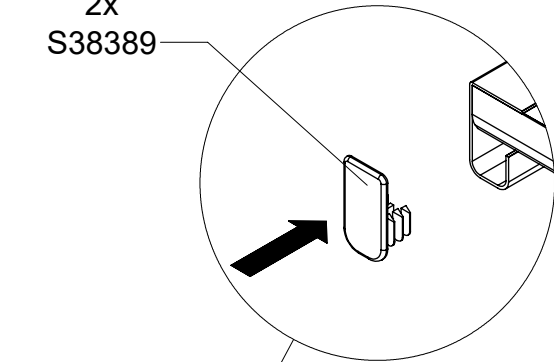
2x  
S36480-N

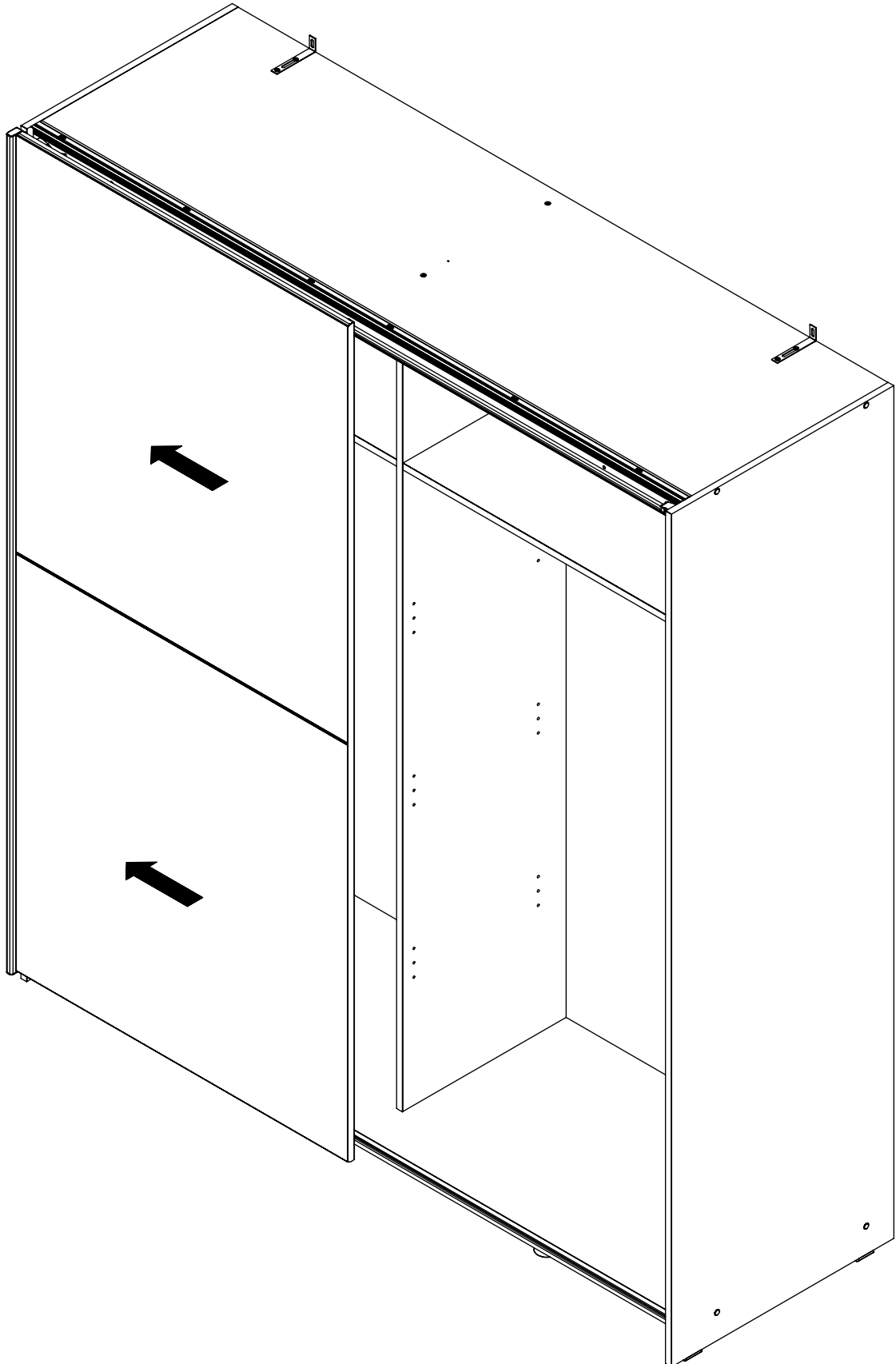


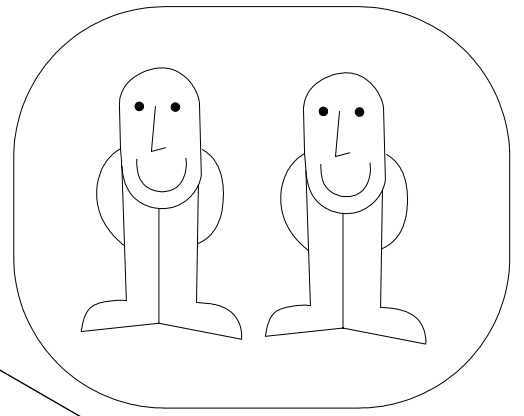
# 33 x1



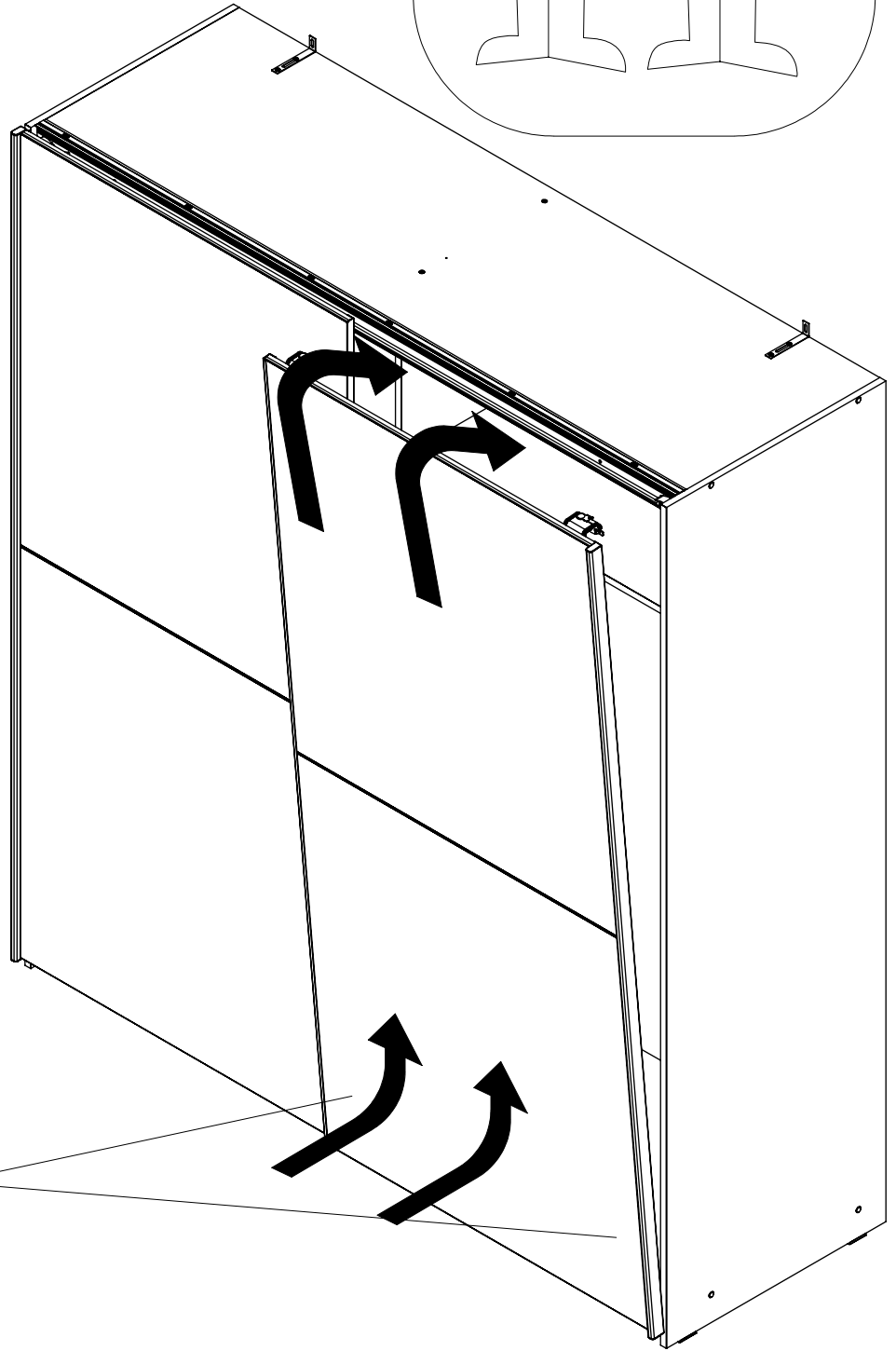
2x  
S38389



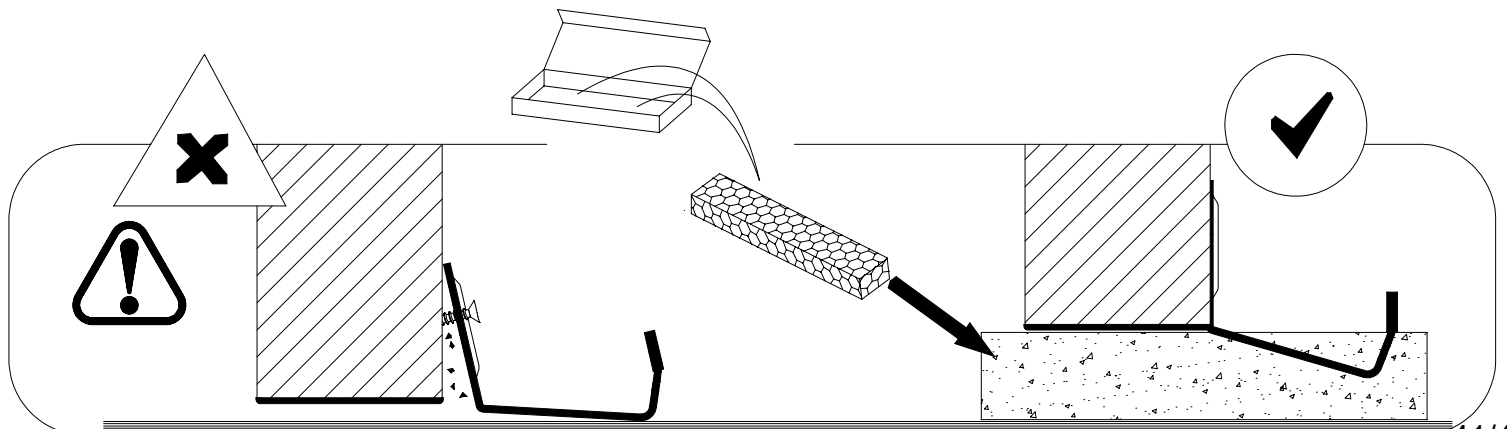
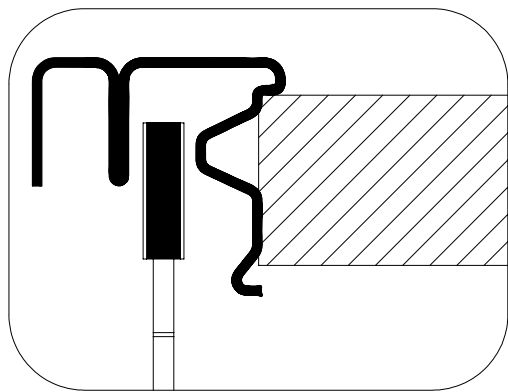




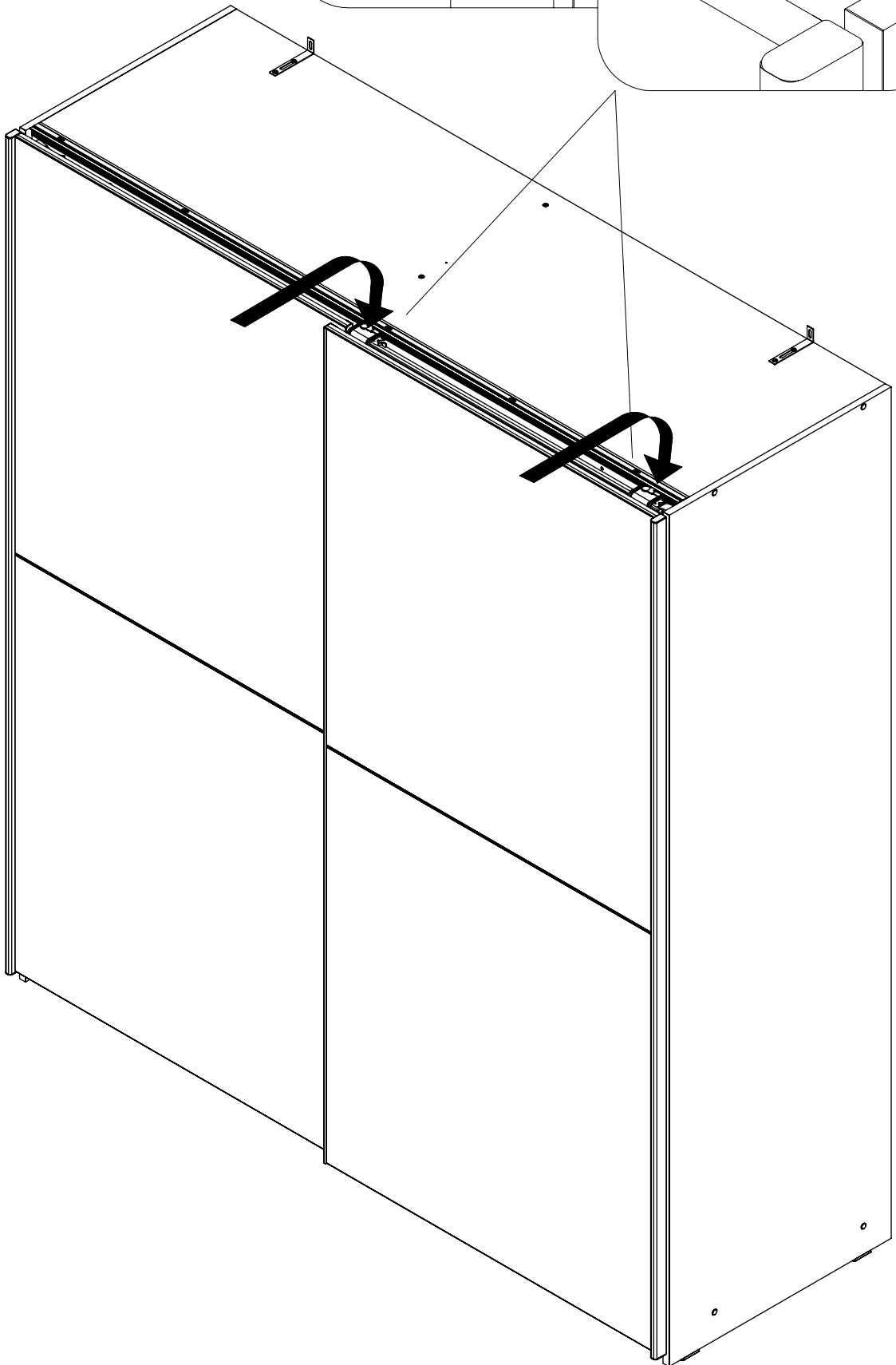
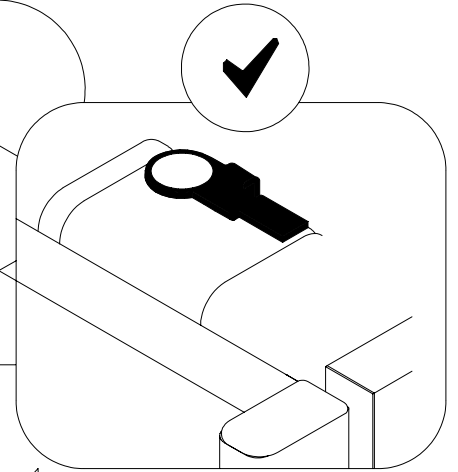
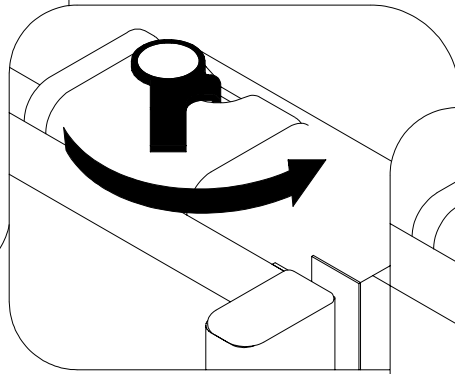
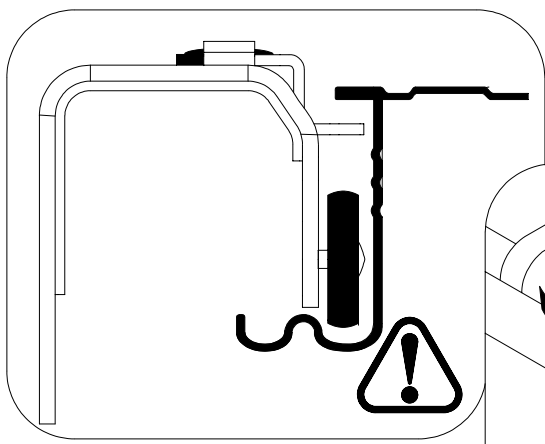
II.



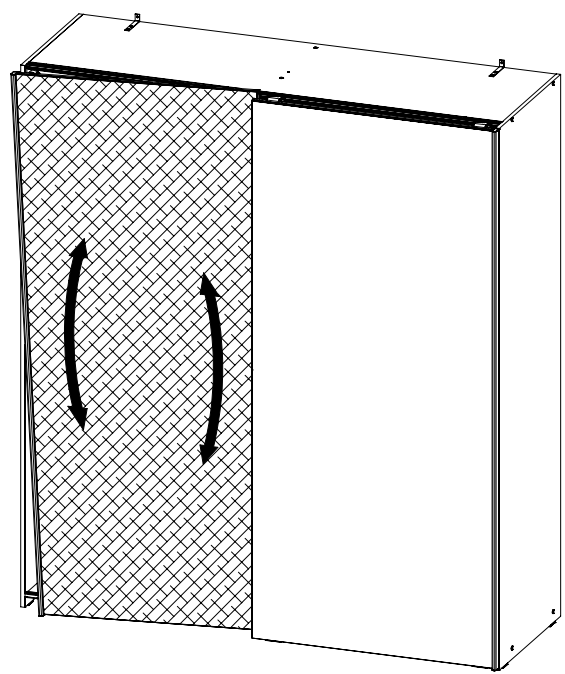
I.



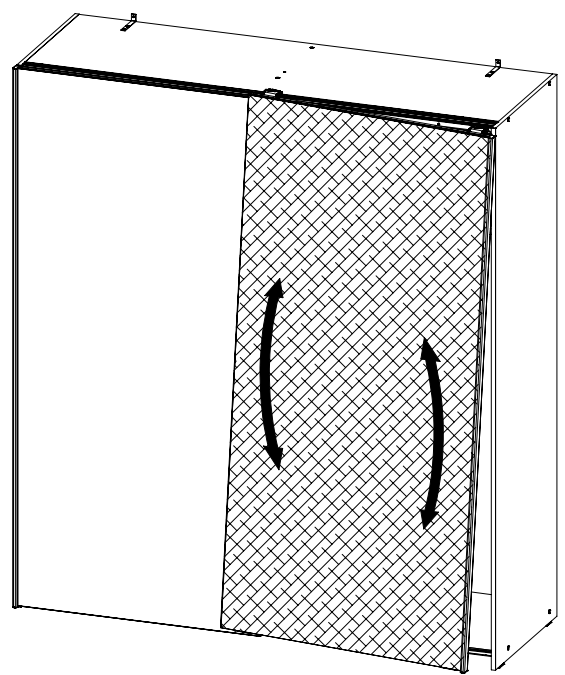
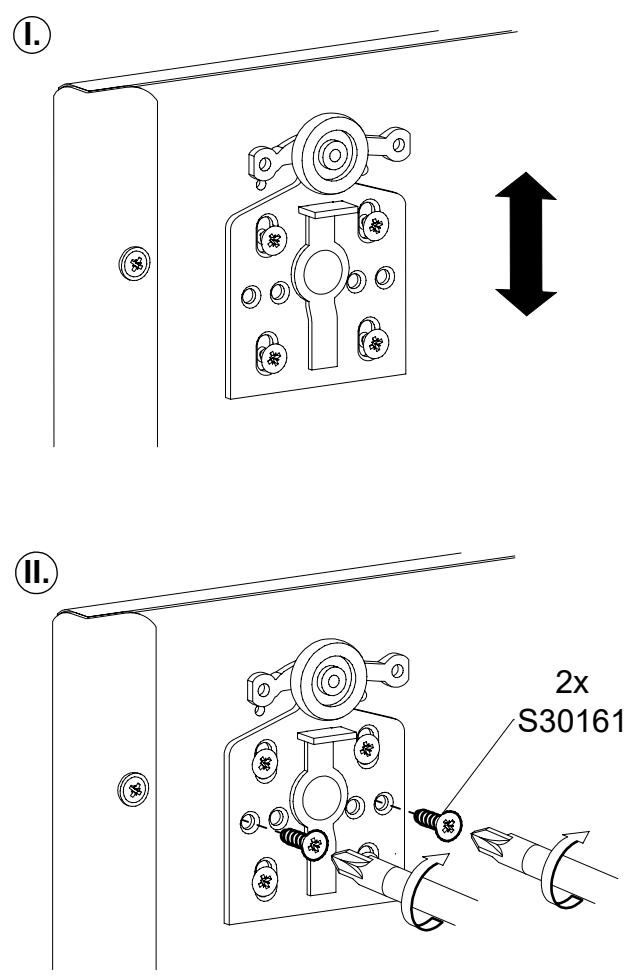
# 36



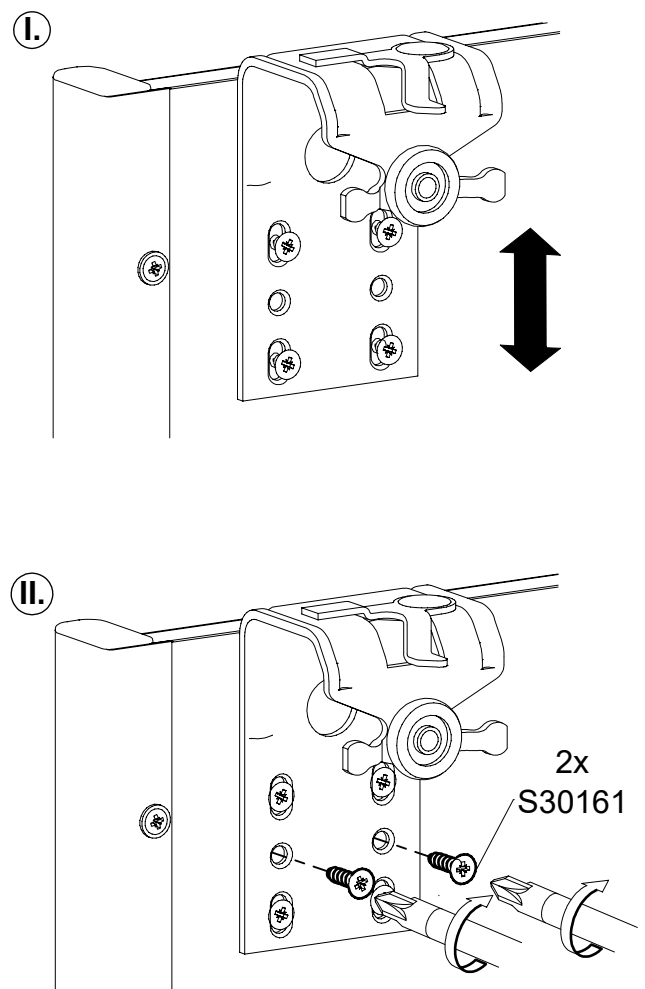
# 37



2x



2x

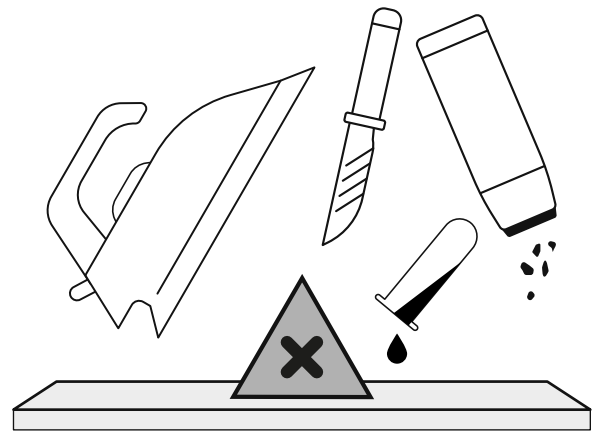
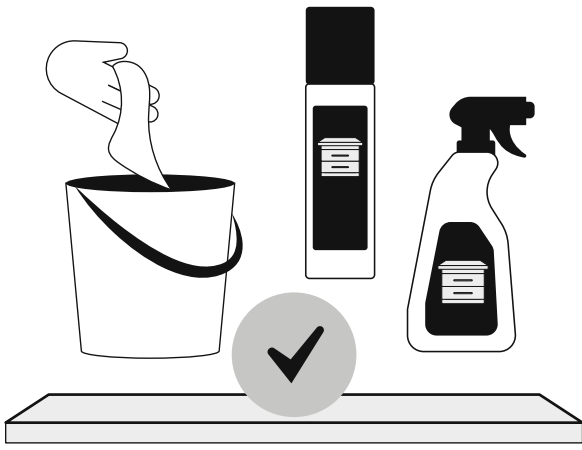


**- EN -**

Furniture containing wood-based panels (particle board, fibreboard, plywood etc.) may emit into indoor air inconsiderable amounts of substances used in the production processes. The level of this emission is examined and it meets the applicable standards. After assembling the furniture, it is advised to regularly ventilate the room where the furniture stands, which should last about four weeks or until the smell is eliminated.

**- EN -**

**Caution should be exercised according to the nature and severity of the disability, as well as to age and resulting personal aptitude. Gender does not affect the safe use of the product.**



**- EN- GUIDELINES FOR FURNITURE CARE**

Please follow the below specified remarks in order to properly take care of your furniture:

A clean dry soft fabric must be used for cleaning. If the furniture requires thorough cleaning, then you can slightly moistened it with water or cleaning agent designed for furniture cleaning, and subsequently the cleaned elements must be wiped until they're dry. Metal and glass parts must be cleaned using commercially available cleaning agents designed for cleaning of this type of materials, in accordance with the included instructions.

Do not use corrosive agents, scouring agents and other agents if their intended use is unknown.

**The cleaning agents must have clear marking that they are intended for cleaning furniture.**

**WARNING!!!** High gloss elements, from which the protective foil was removed, may be cleaned and used only after 72 hours.