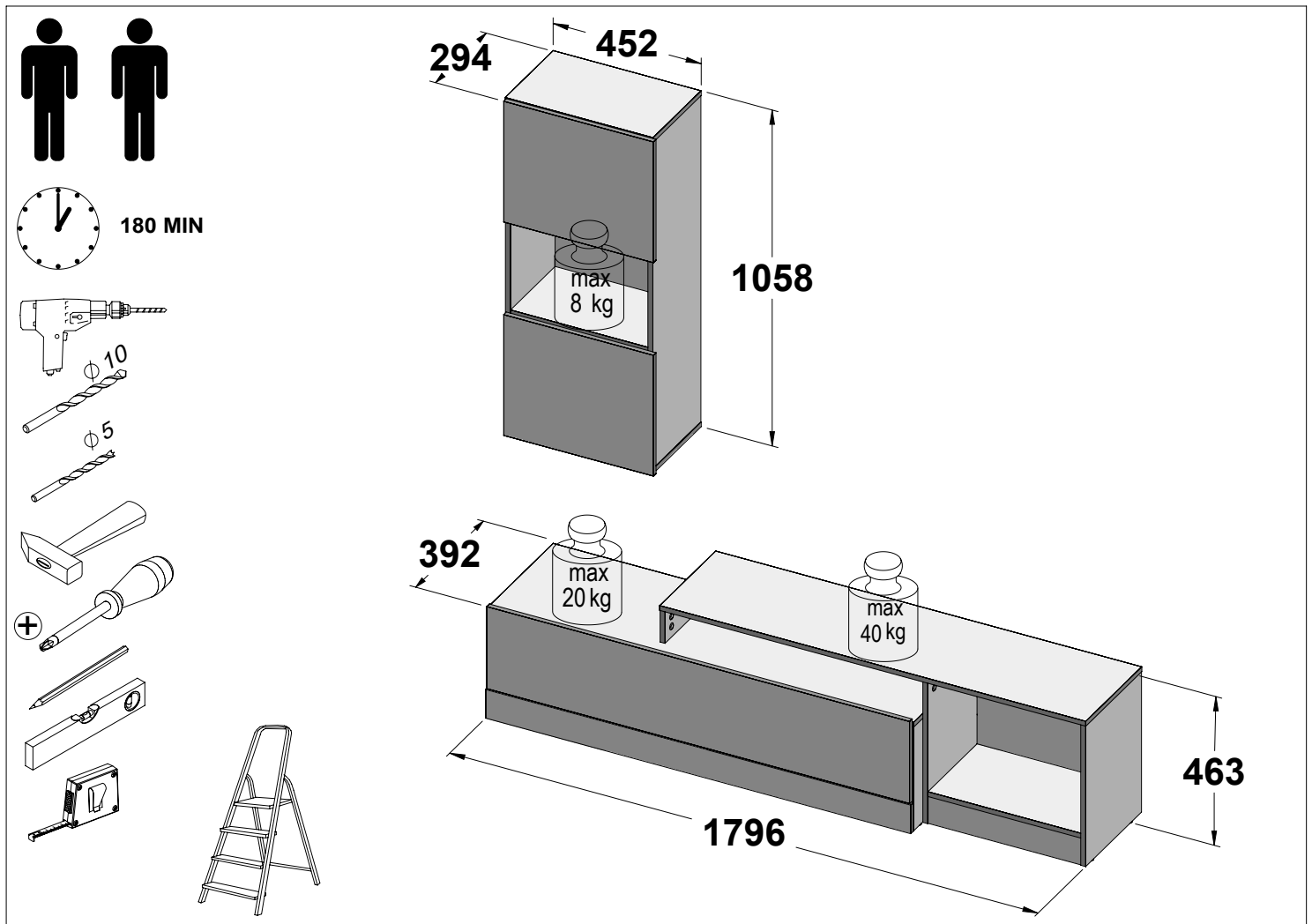


318-000012

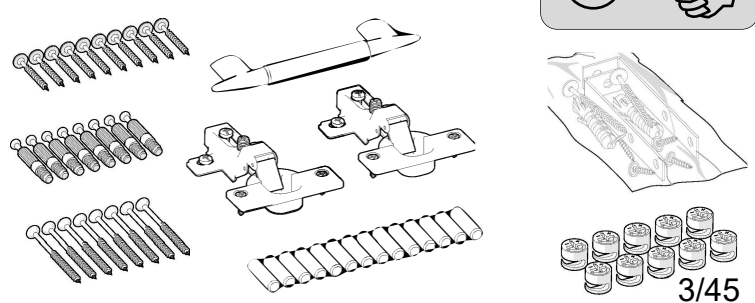


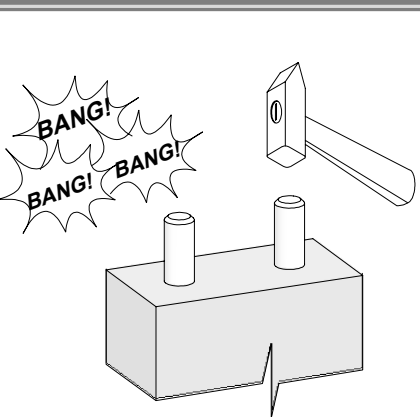
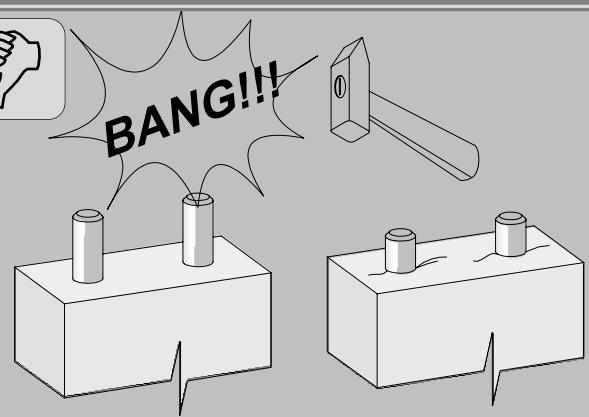
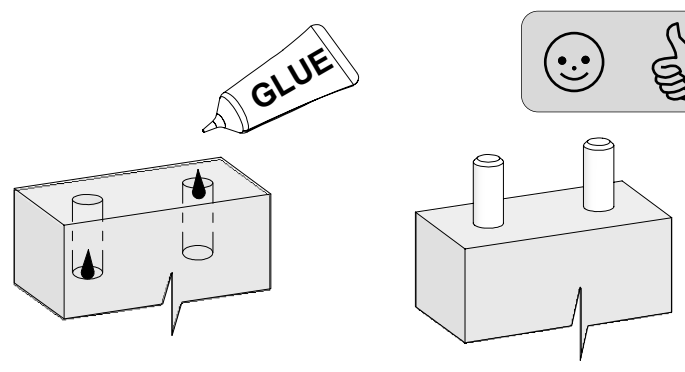
Assembling instruction



EN.Follow the manufacturer's assembly instructions, otherwise danger may occur.

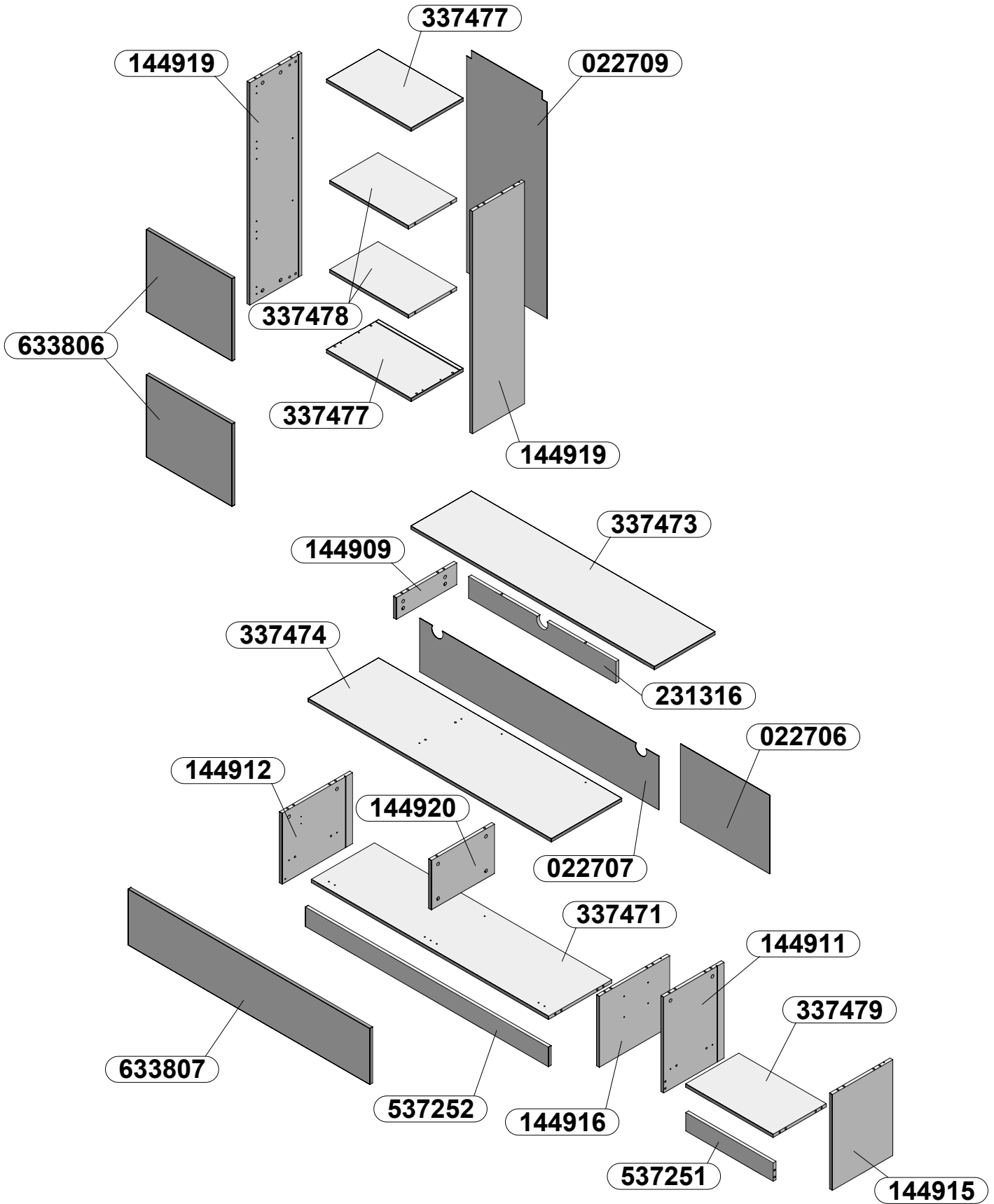






- EN -

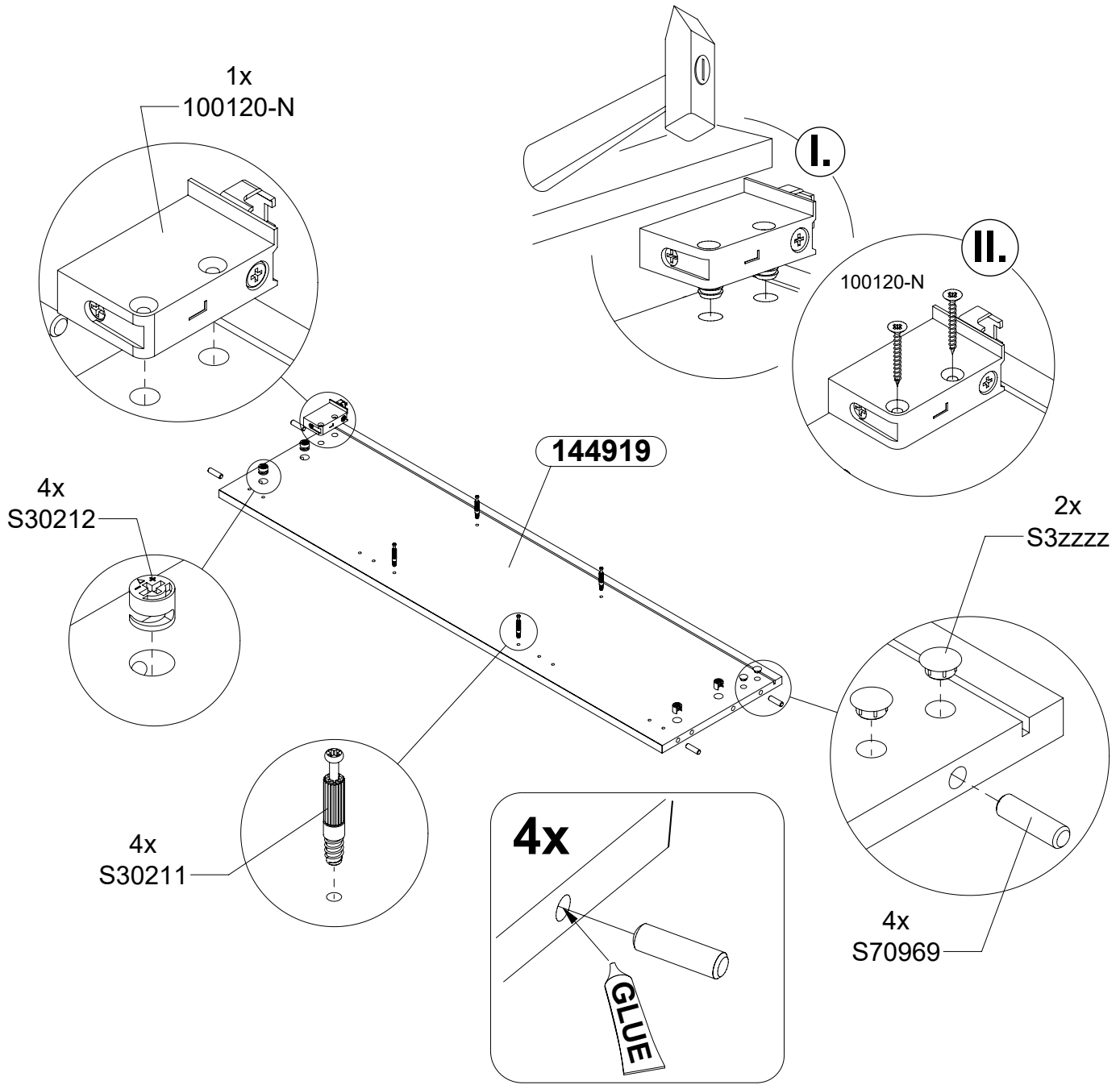
Furniture containing wood-based panels (particle board, fibreboard, plywood etc.) may emit into indoor air inconsiderable amounts of substances used in the production processes. The level of this emission is examined and it meets the applicable standards. After assembling the furniture, it is advised to regularly ventilate the room where the furniture stands, which should last about four weeks or until the smell is eliminated.



CODE	DIMENSIONS	
022706	477x363x2	1
022707	1277x248x2	1
022709	1038x430x2	1
144909	100x323x15	1
144911	443x323x15	1
144912	328x376x15	1
144915	443x323x15	1
144916	328x376x15	1
144919	1028x278x15	2
144920	228x337x15	1
231316	787x100x15	1
337471	1267x337.5x15	1
337473	1301x324x15	1
337474	1299x376.5x15	1
337477	452x278.5x15	2
337478	420x258x15	2
337479	467x284x15	1
537251	467x85x15	1
537252	1298x90x15	1
633806	381x457x15	2
633807	1291x259x15	1

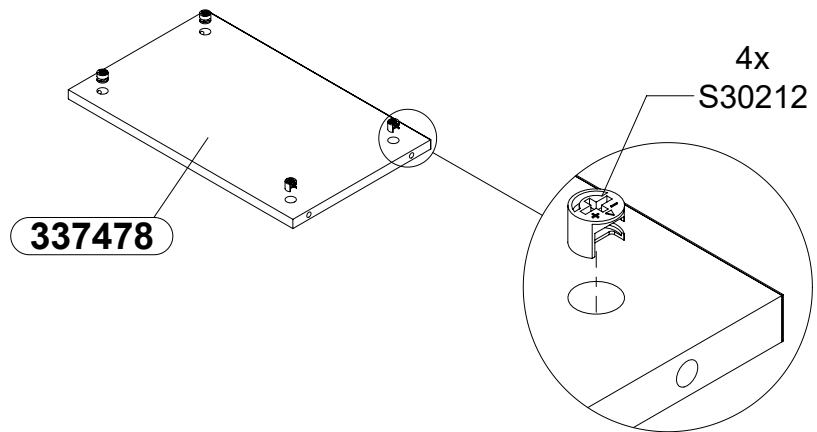
<p>32x S70969</p> <p>Ø8x28</p> 	<p>44x S30211</p> 	<p>44x S30212</p> <p>Ø15x12</p> 	<p>14x S30106</p> <p>Ø3.5x15</p> 
<p>6x S31298-14</p> <p>Ø4x14</p> 	<p>4x S30174</p> <p>Ø4x27</p> 	<p>16x S30111</p> <p>Ø6,3x13</p> 	<p>20x S31299</p> <p>Ø1,6x30</p> 
<p>14x S30978</p> 	<p>8x S30558</p> 	<p>4x S3zzzz</p> <p>Ø10</p> 	<p>24x + 8x S3xxxx</p> 
<p>4x S35658</p> 	<p>8x S37526</p> 	<p>1x S30577</p> 	<p>1x S20557N</p> 
<p>1x S33077</p> 	<p>1x S36628-80</p> <p>Ø10x50, Ø5x80</p> 		
<p>6x S36628</p> <p>Ø10x50, Ø5x60</p> 	<p>1x 100120-N</p> <p>L</p> 		
<p>1x 100121-N</p> <p>R</p>  	<p>2x S36627</p> 		
<p>3x S32892-N</p> 	<p>2x S38121</p> 		
<p>3x S3-S31841</p> 	<p>4x S30001</p> 		

1



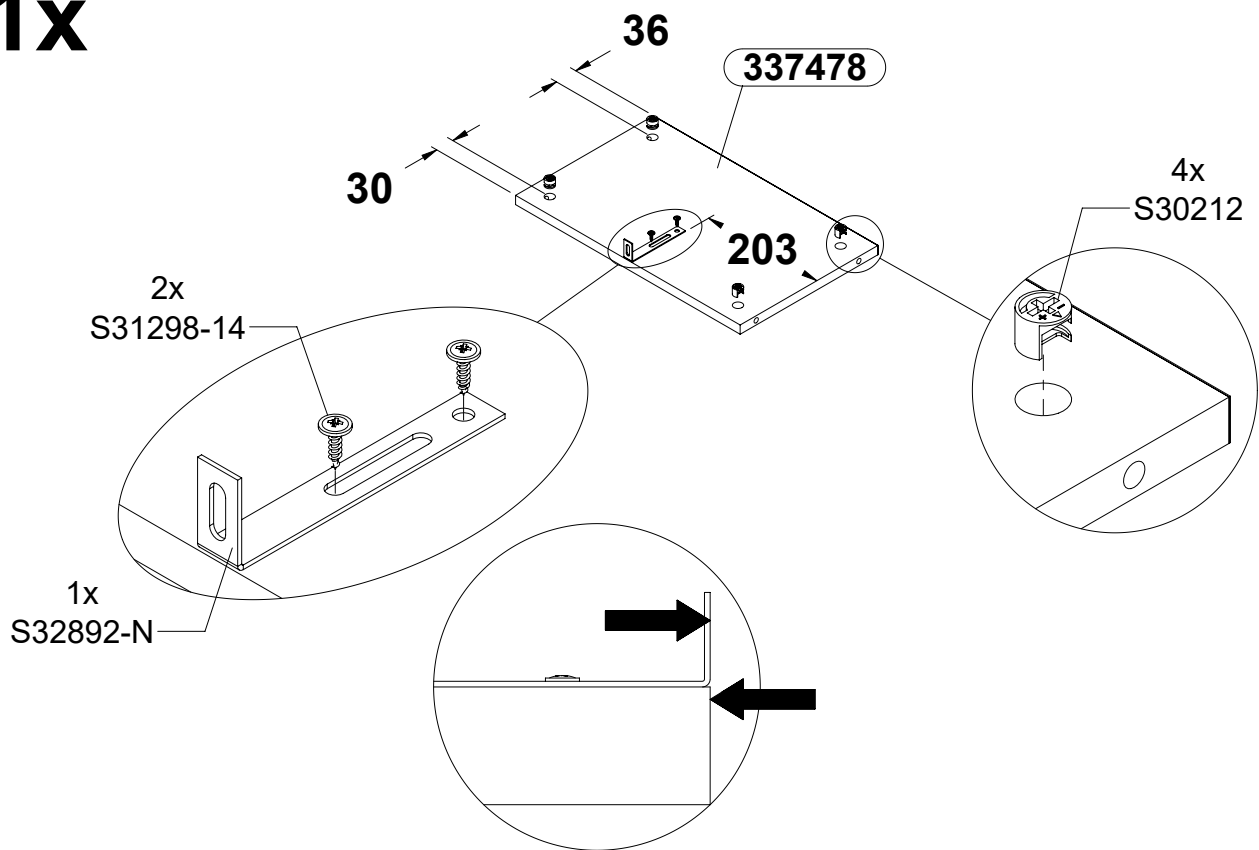
2

1x

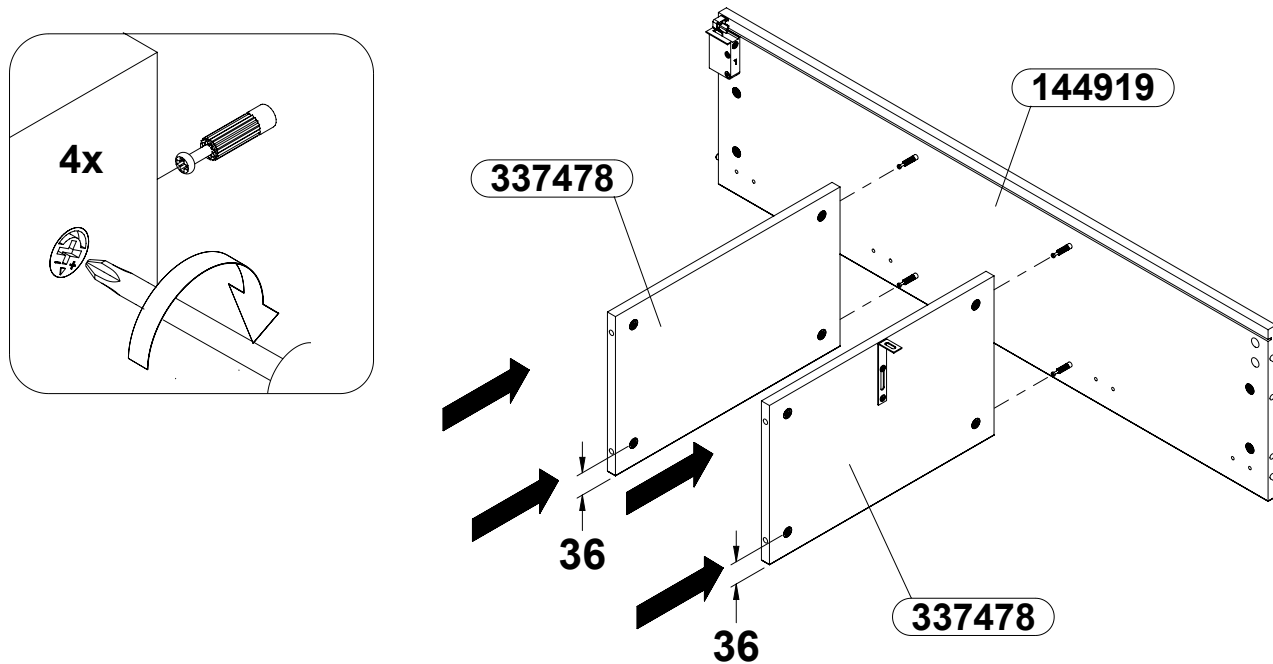


3

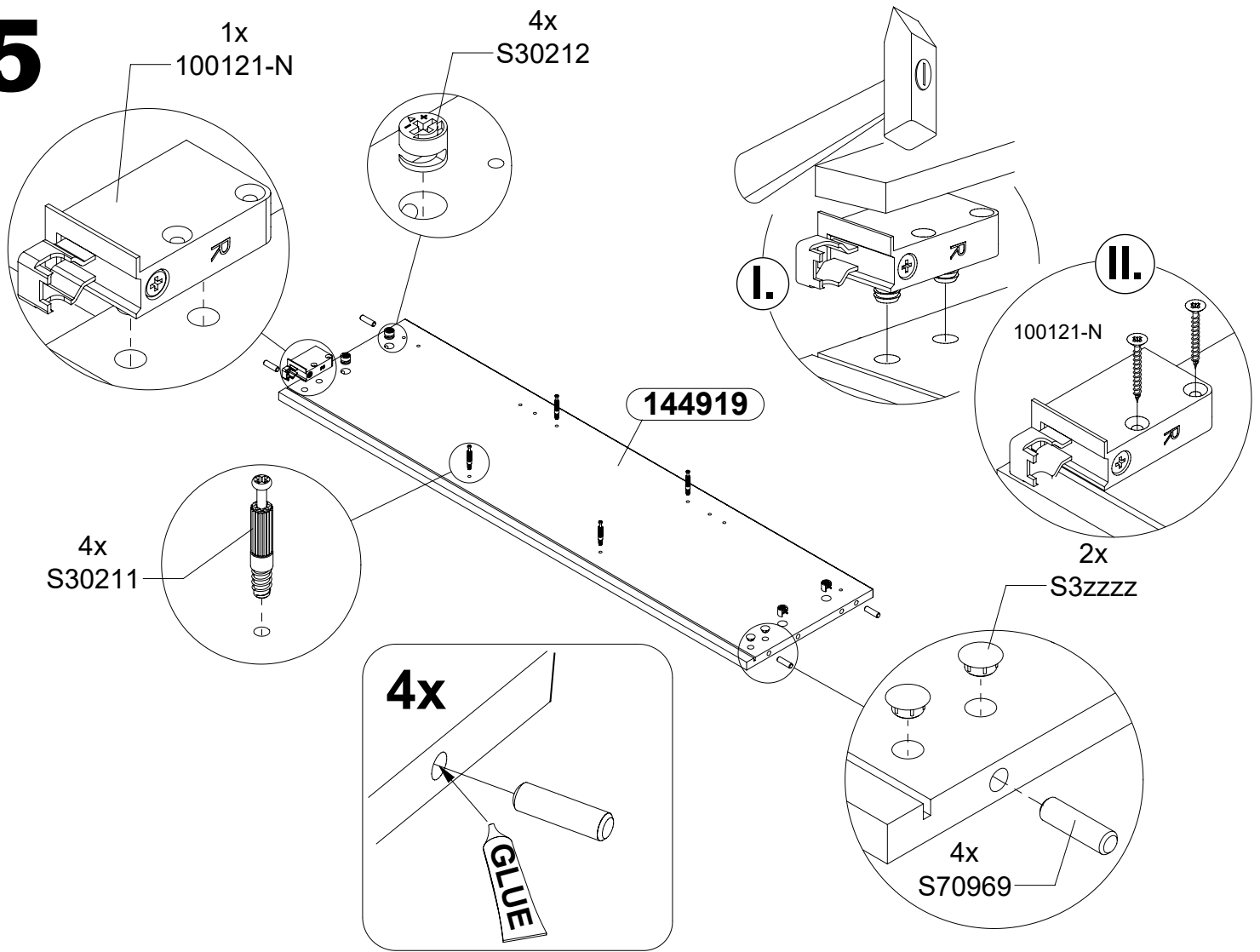
1x



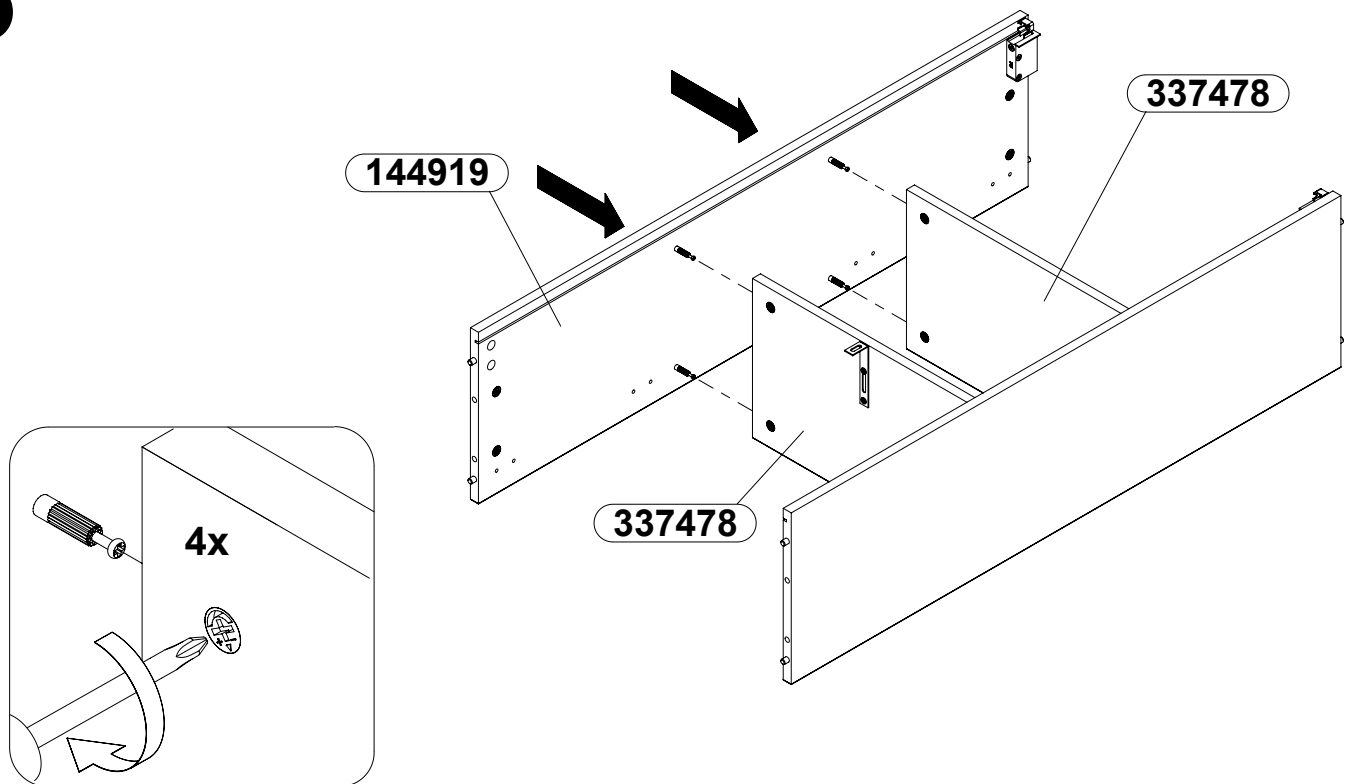
4



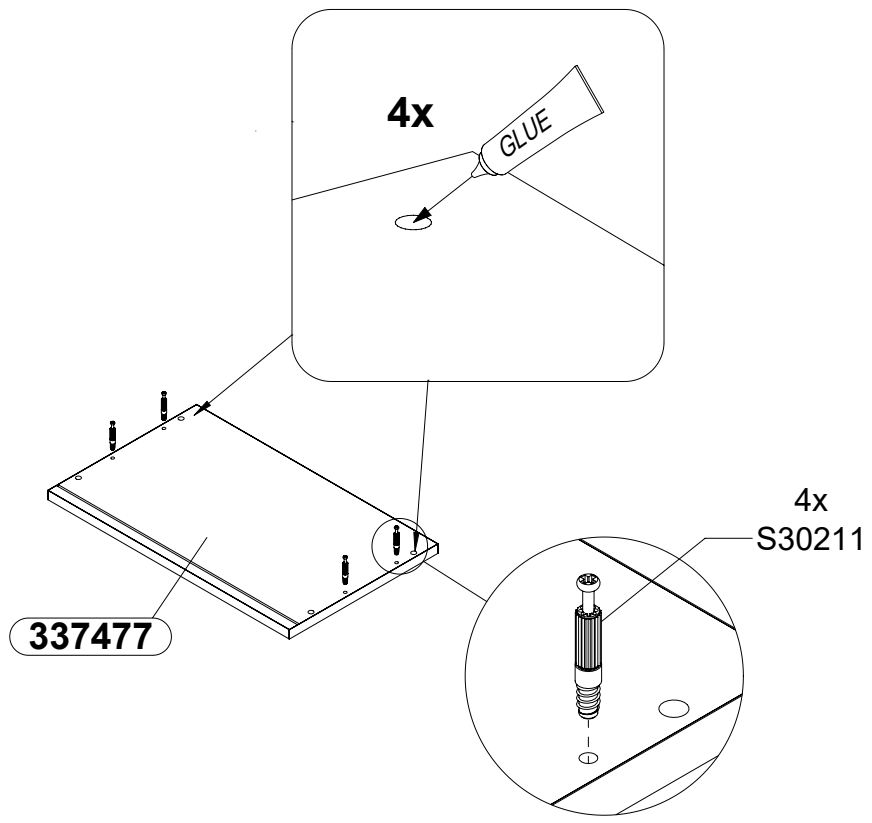
5



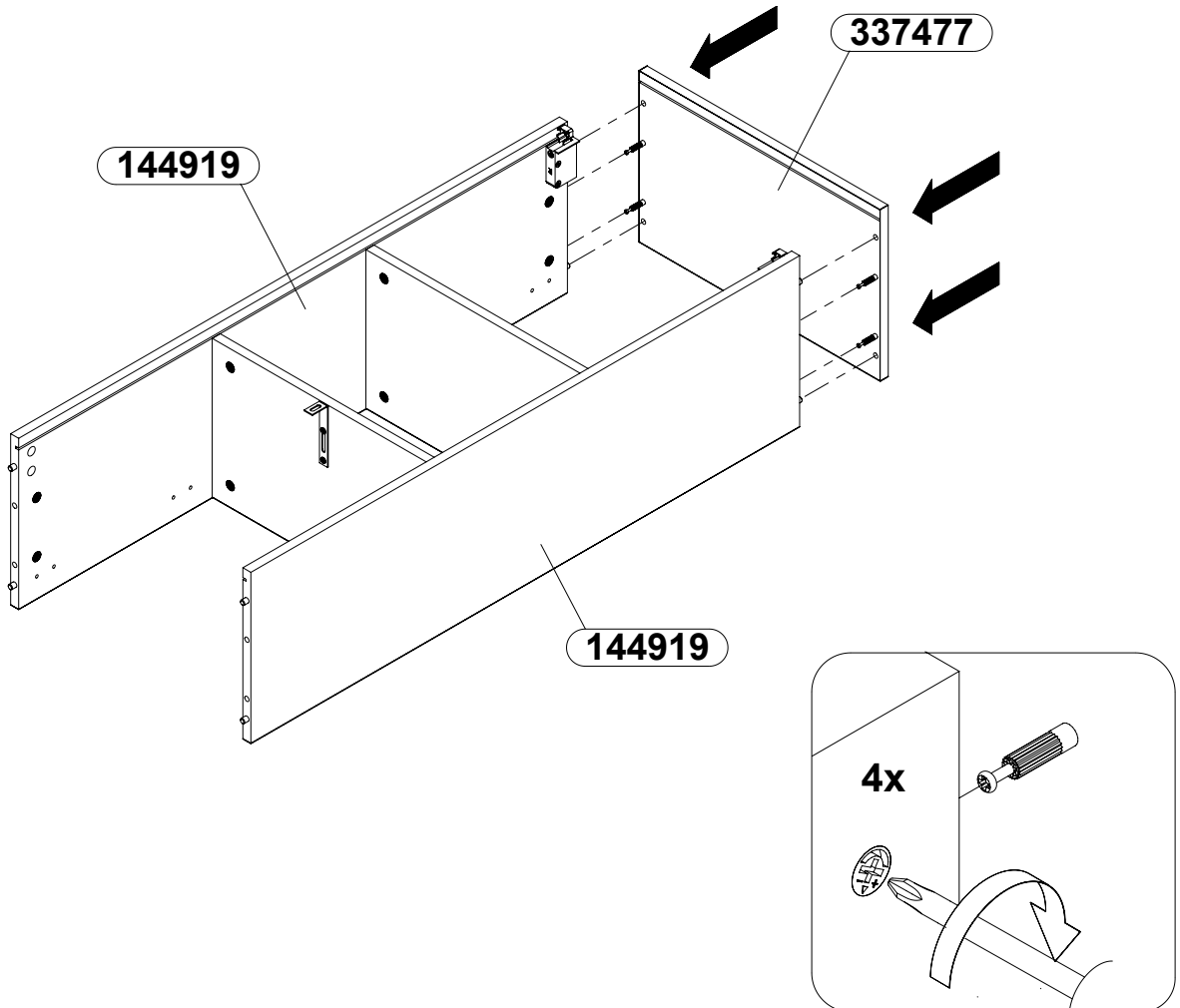
6



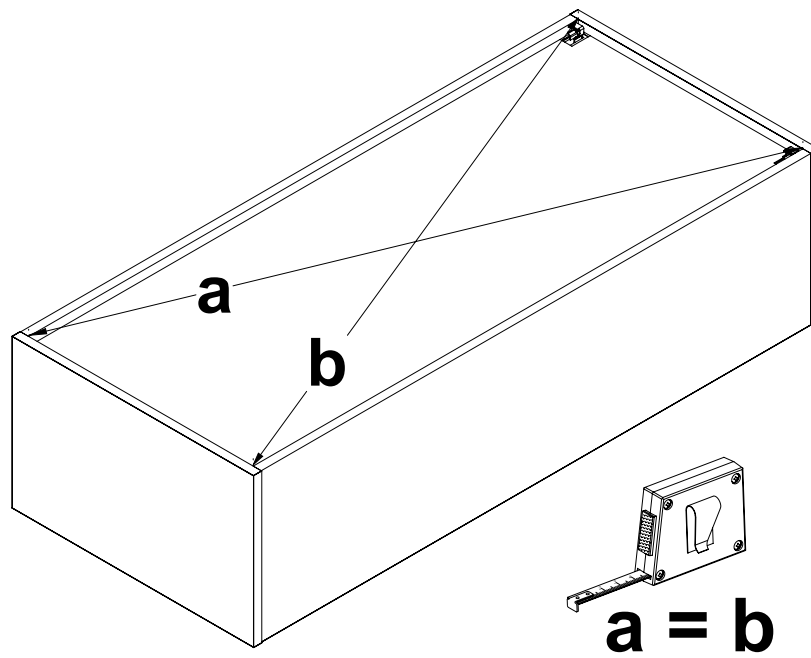
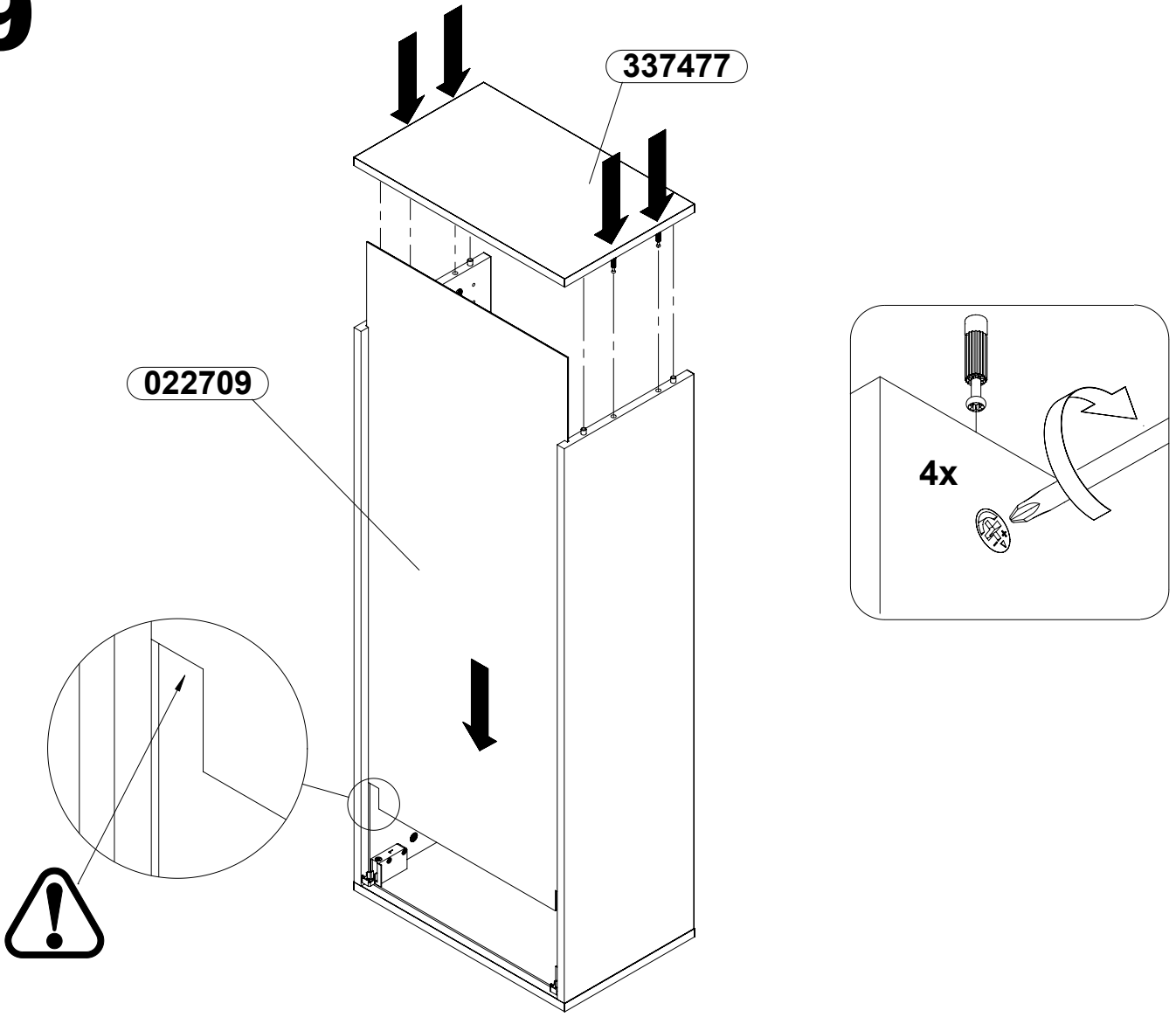
7
2x



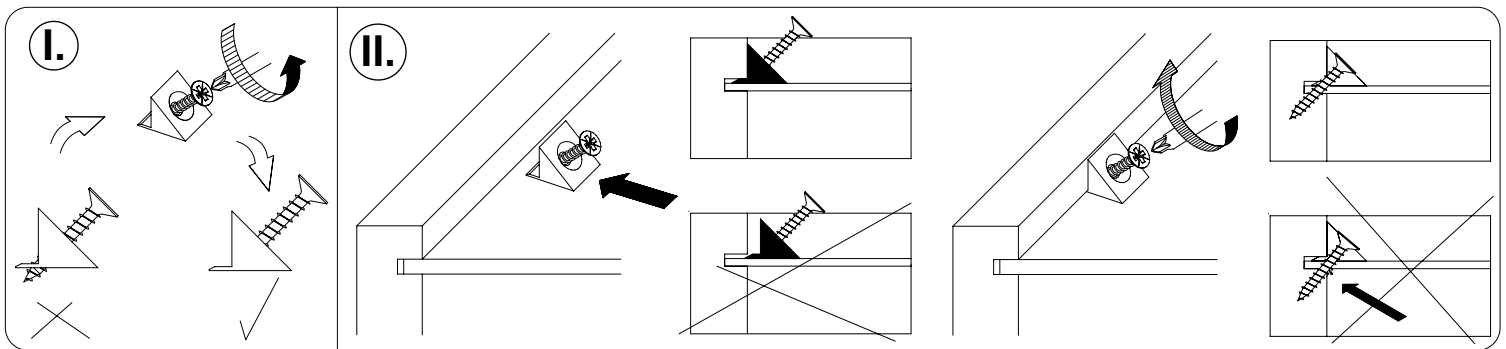
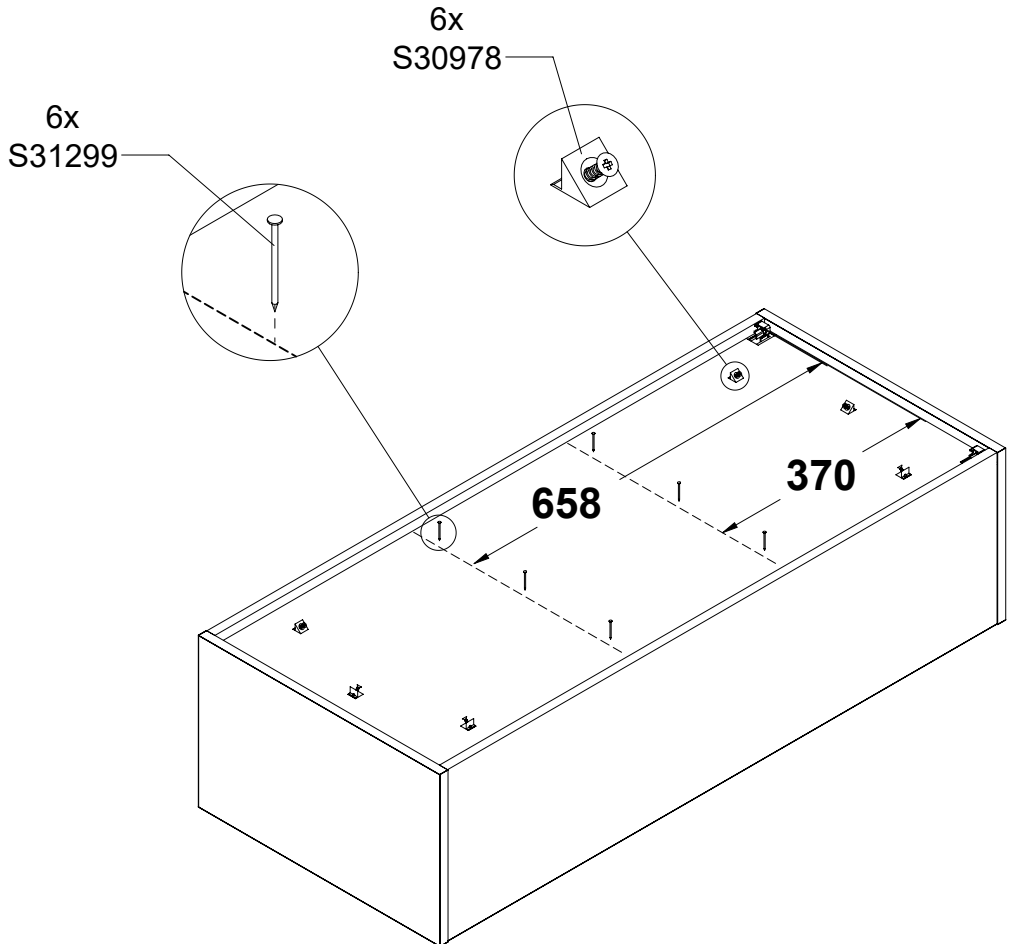
8

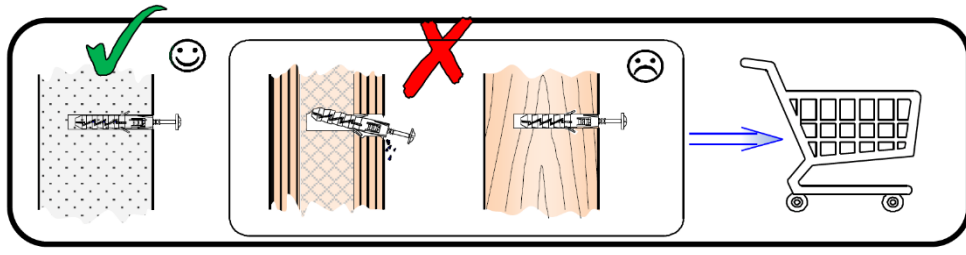


9



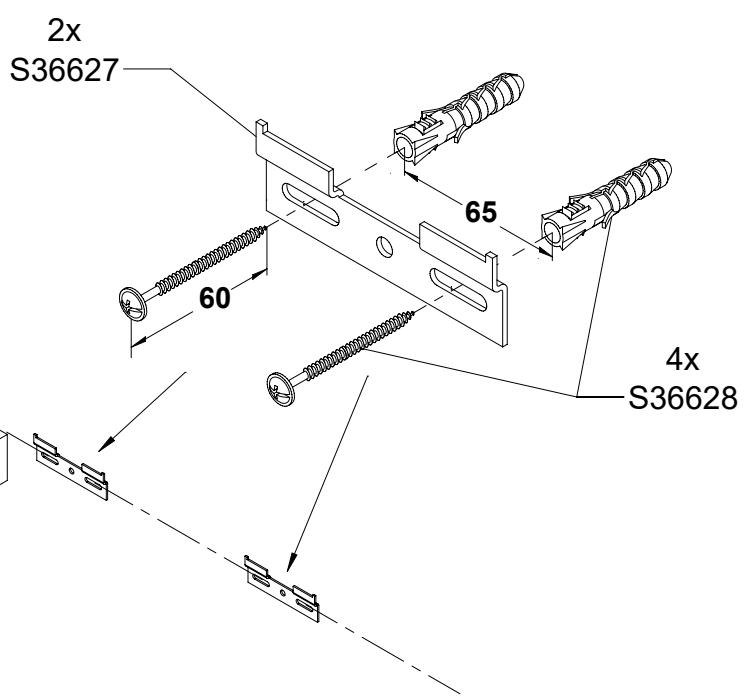
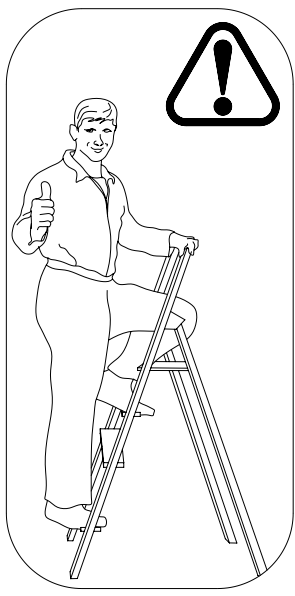
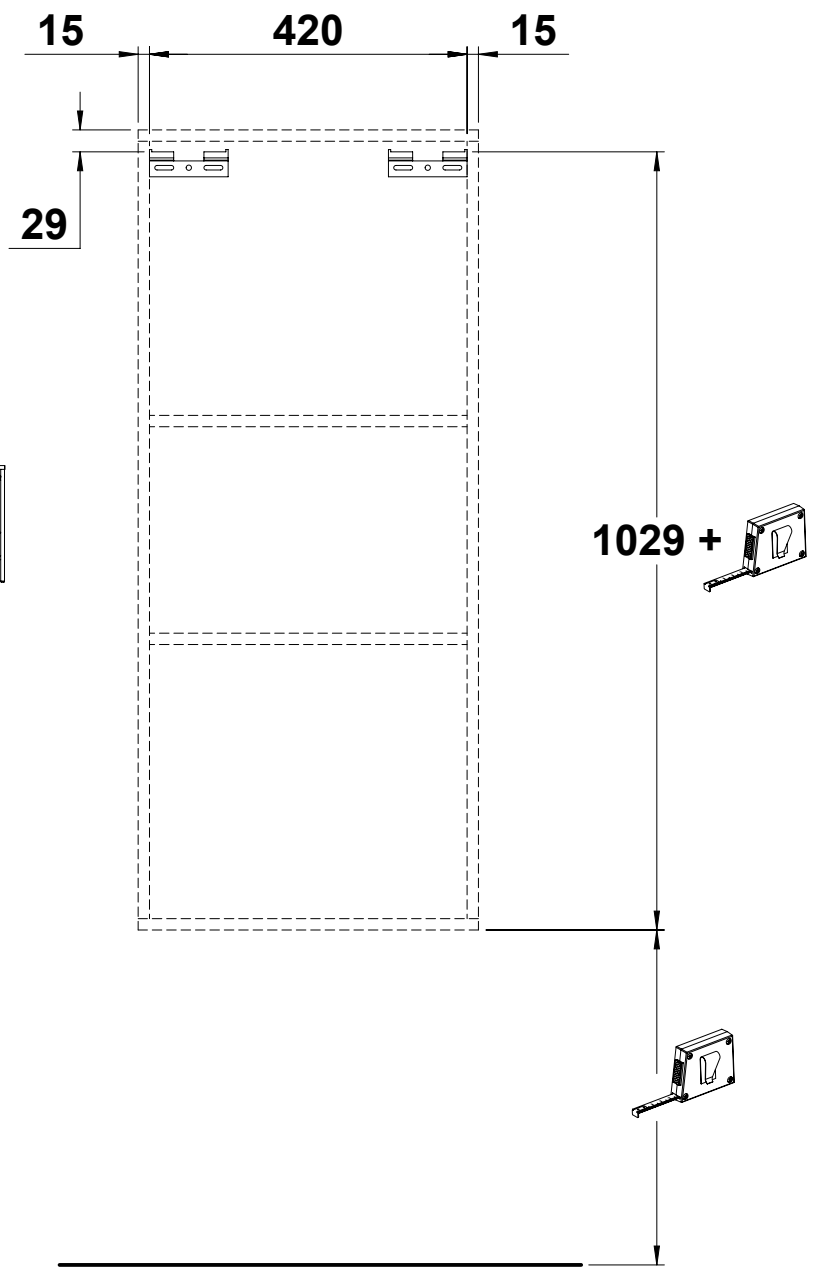
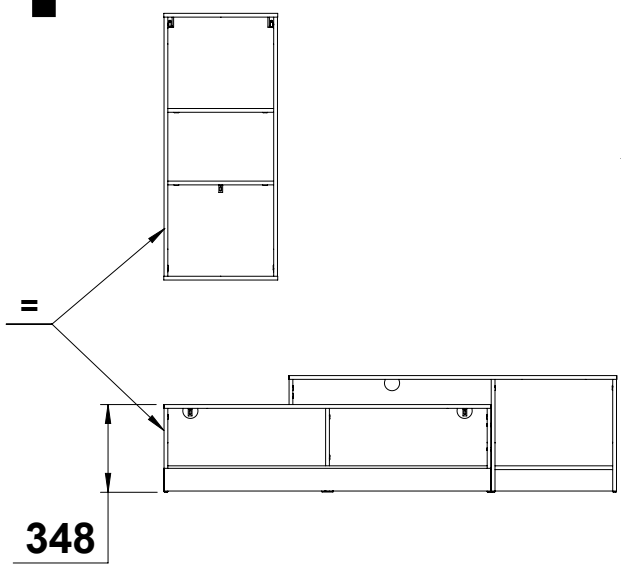
10



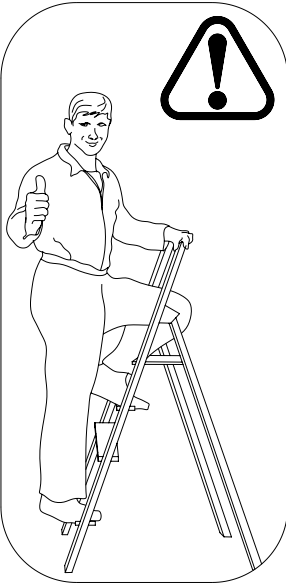
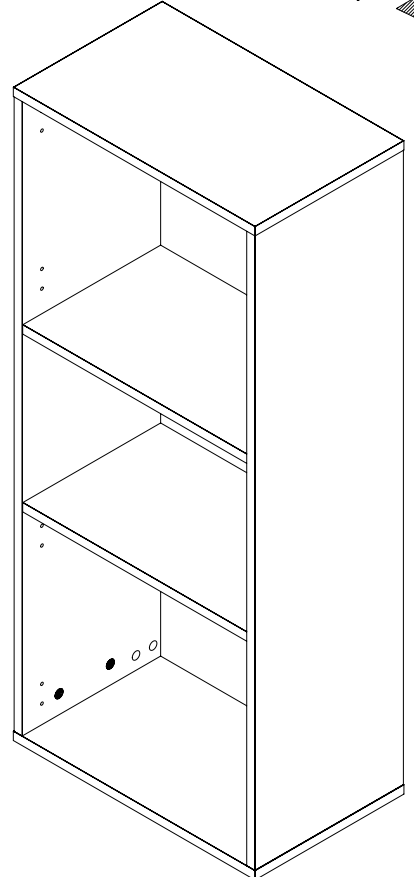
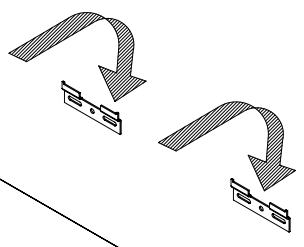
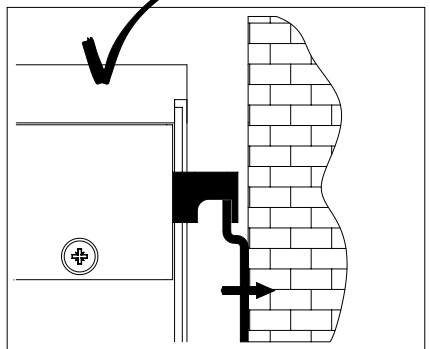
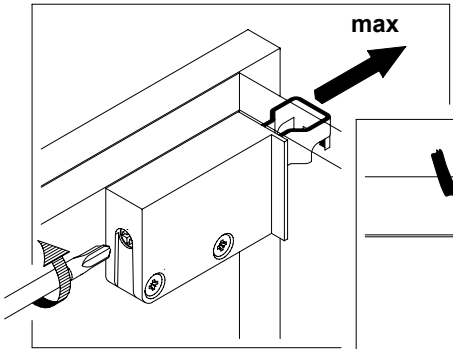


-EN- Before suspending or fixing furniture to the wall (in order to prevent falling over), check the type and strength of the wall. Select wall plugs and screws appropriate for the given type of the wall. In the case of doubts, contact a specialist. The installation must be performed by a competent person. **WARNING!!! If the rawplugs with screws are attached to the product, then they are intended only for walls made of solid and homogeneous materials.**

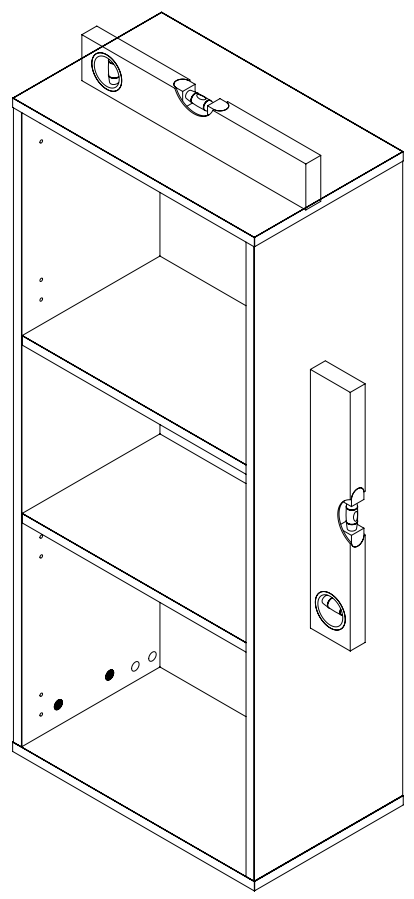
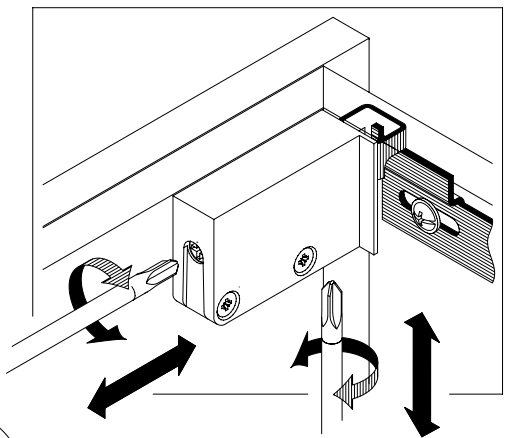
11



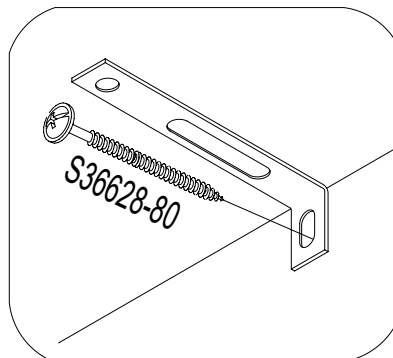
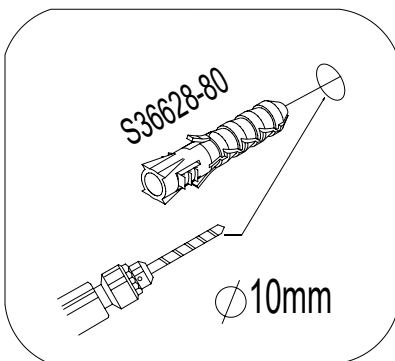
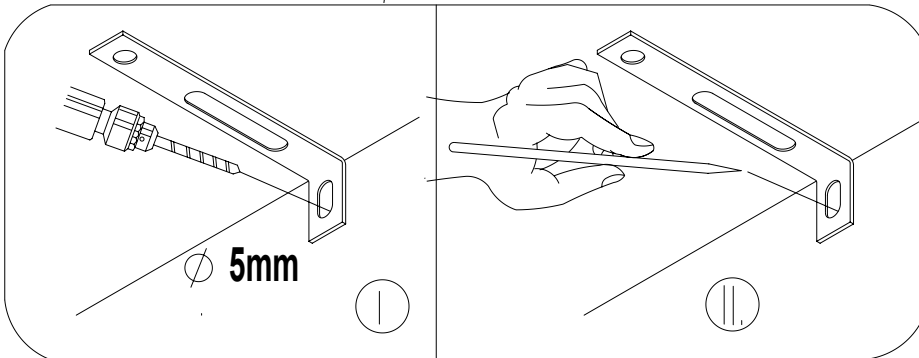
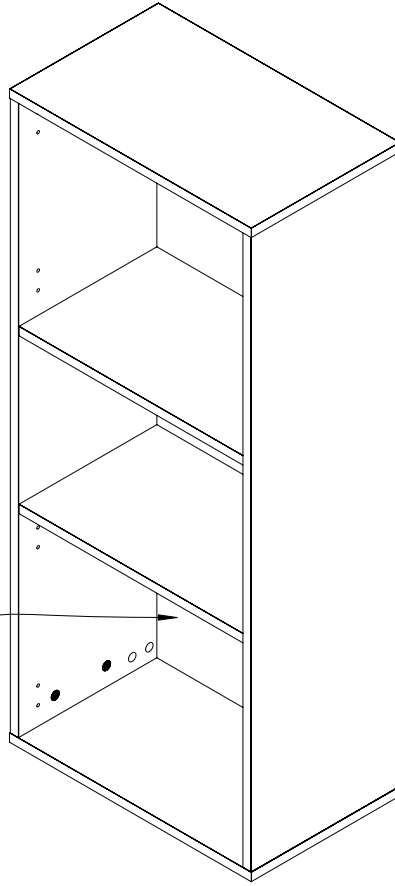
12



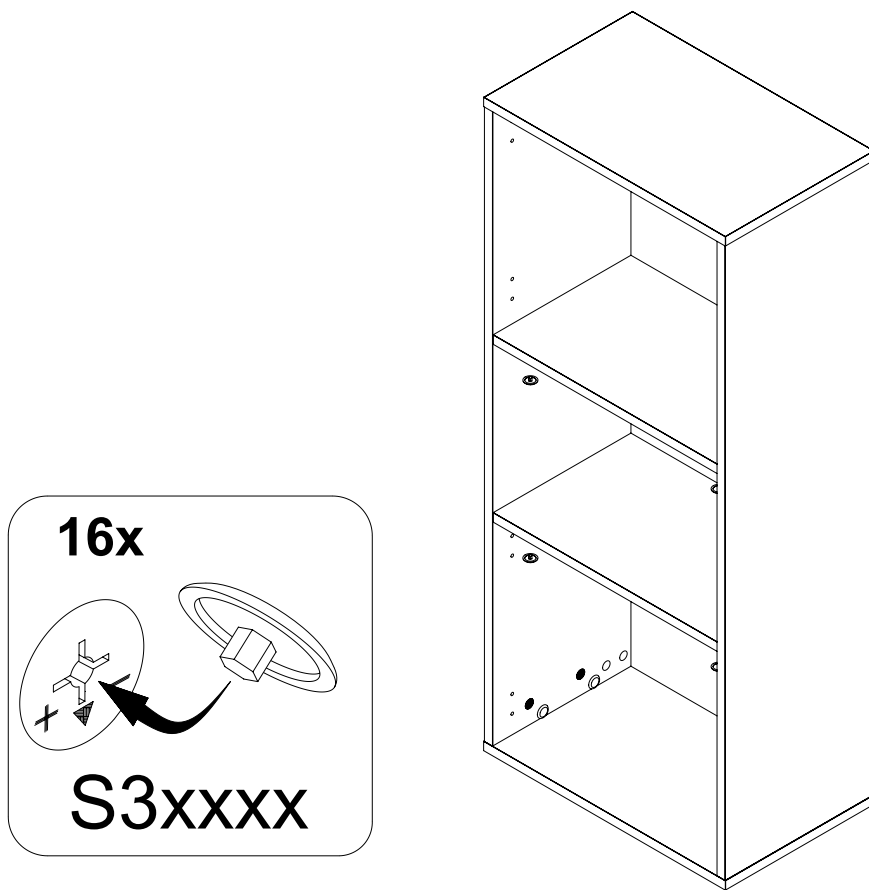
13



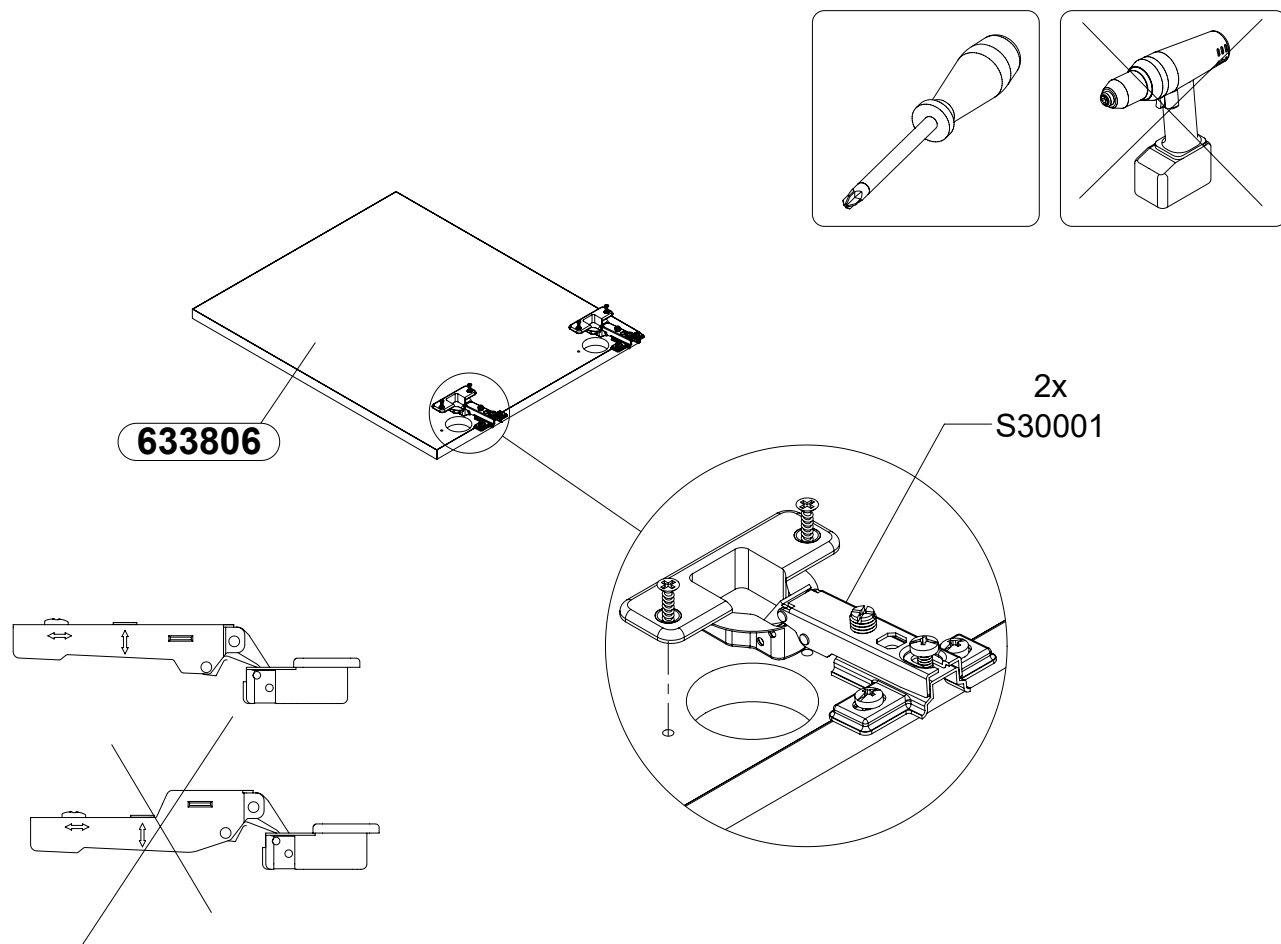
14



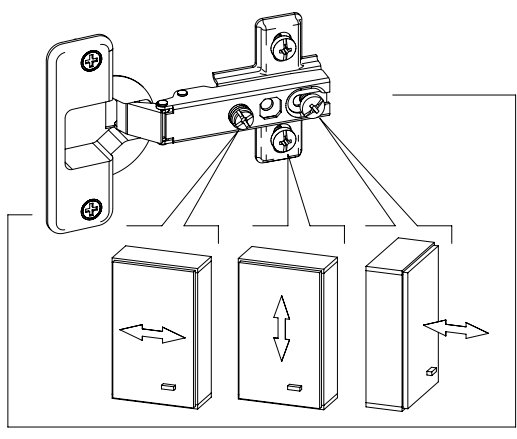
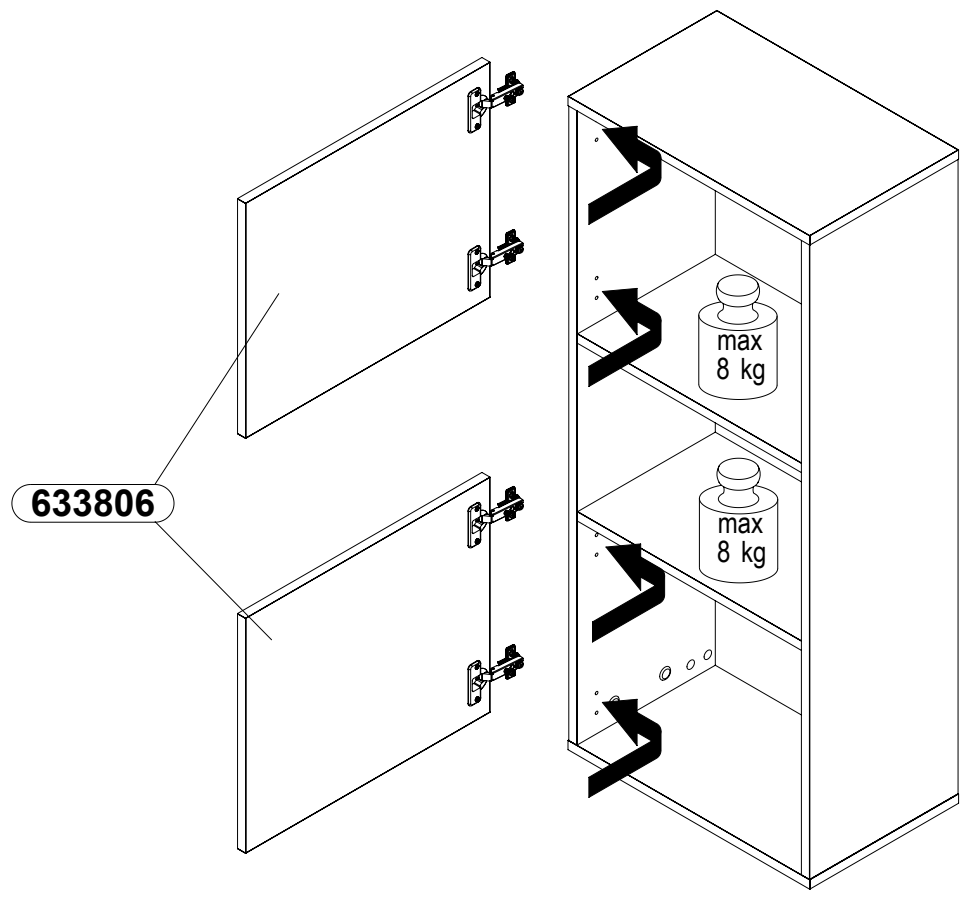
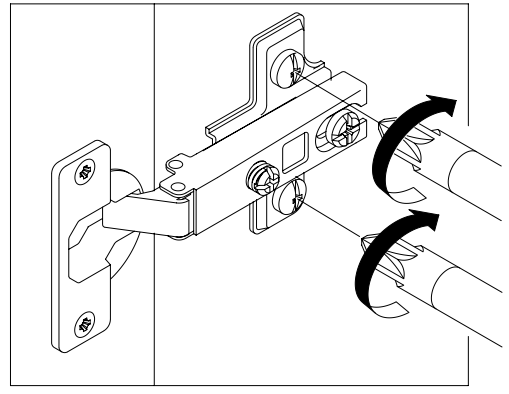
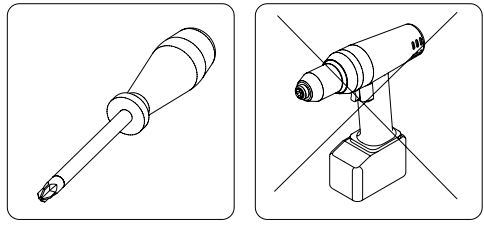
15



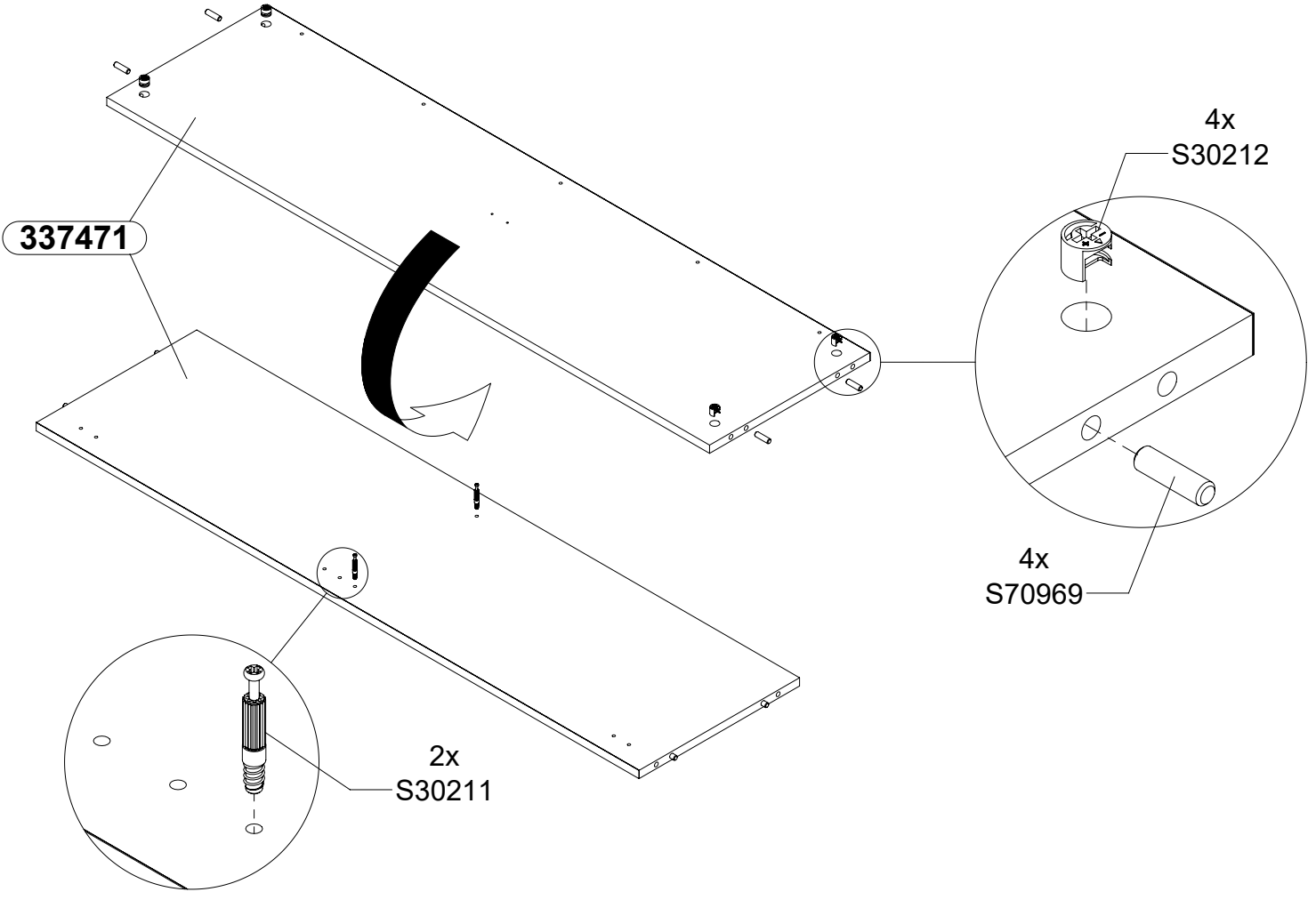
16 2x



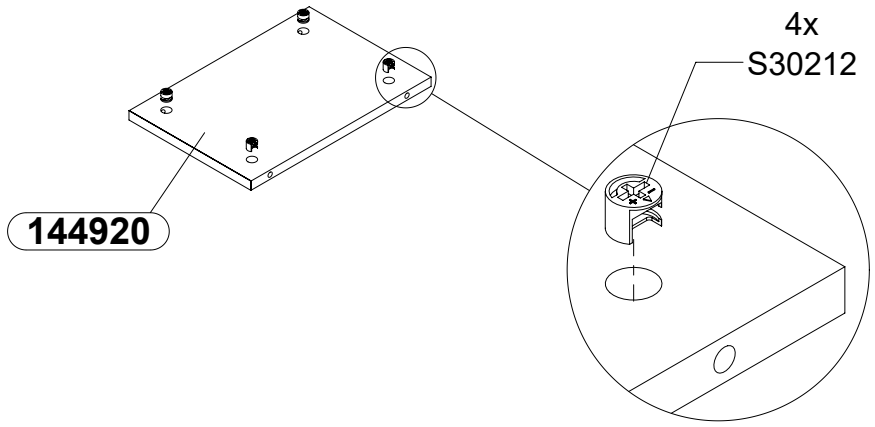
17



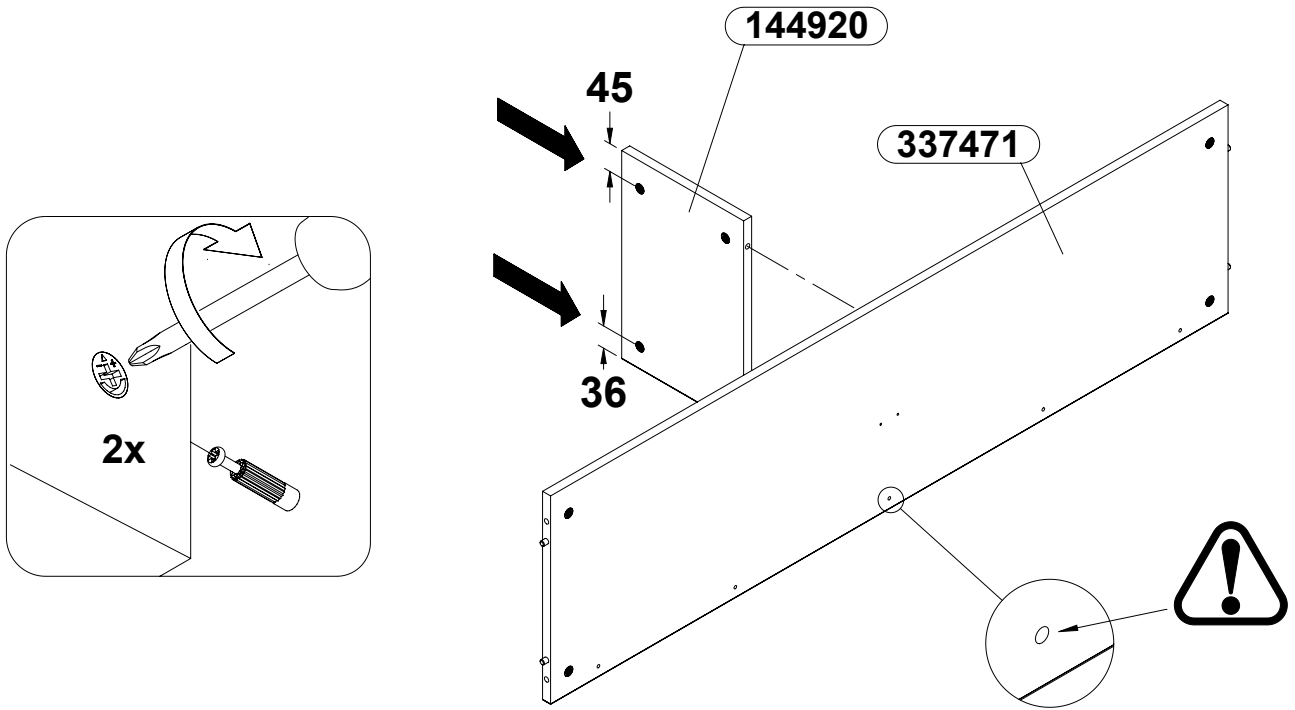
18



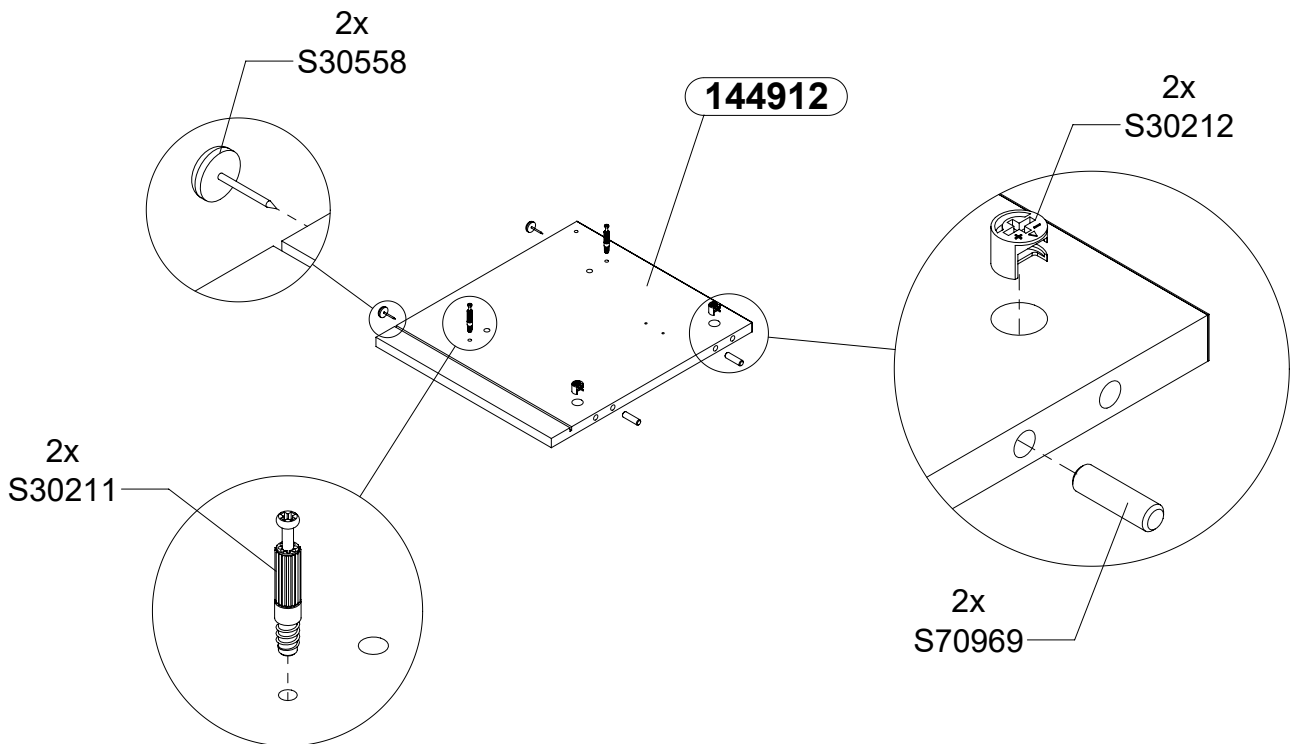
19



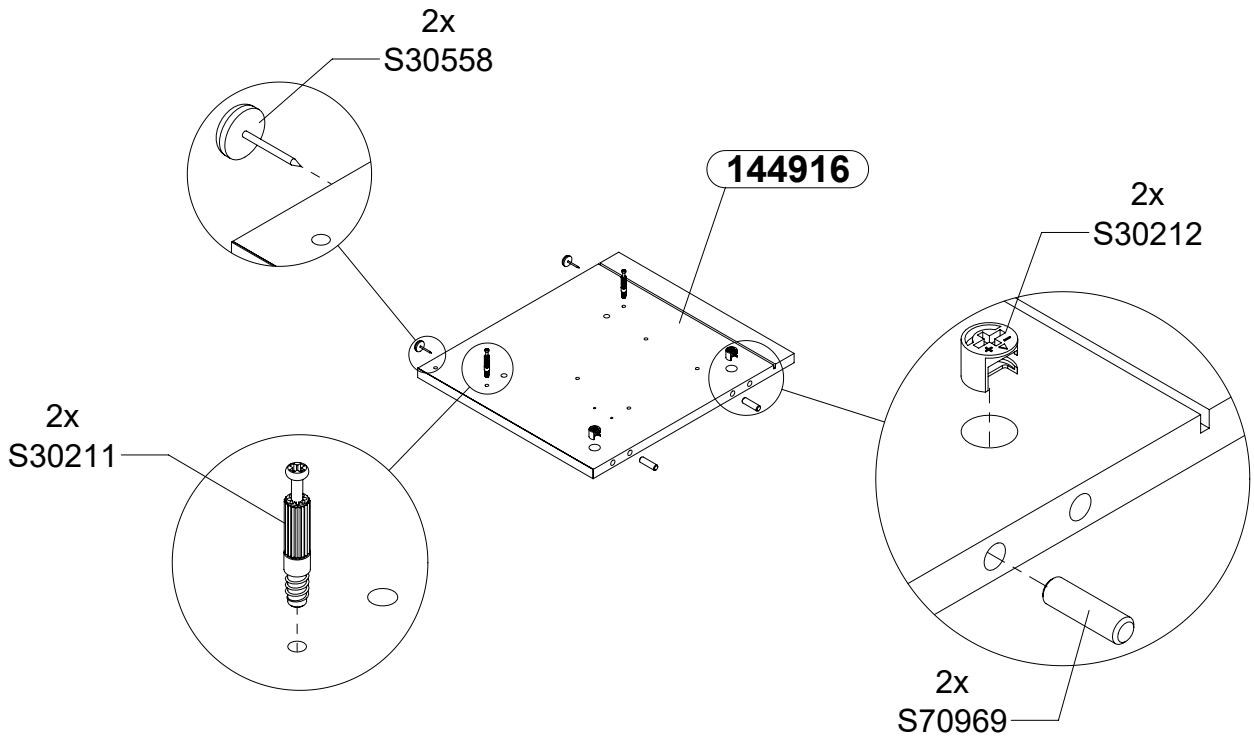
20



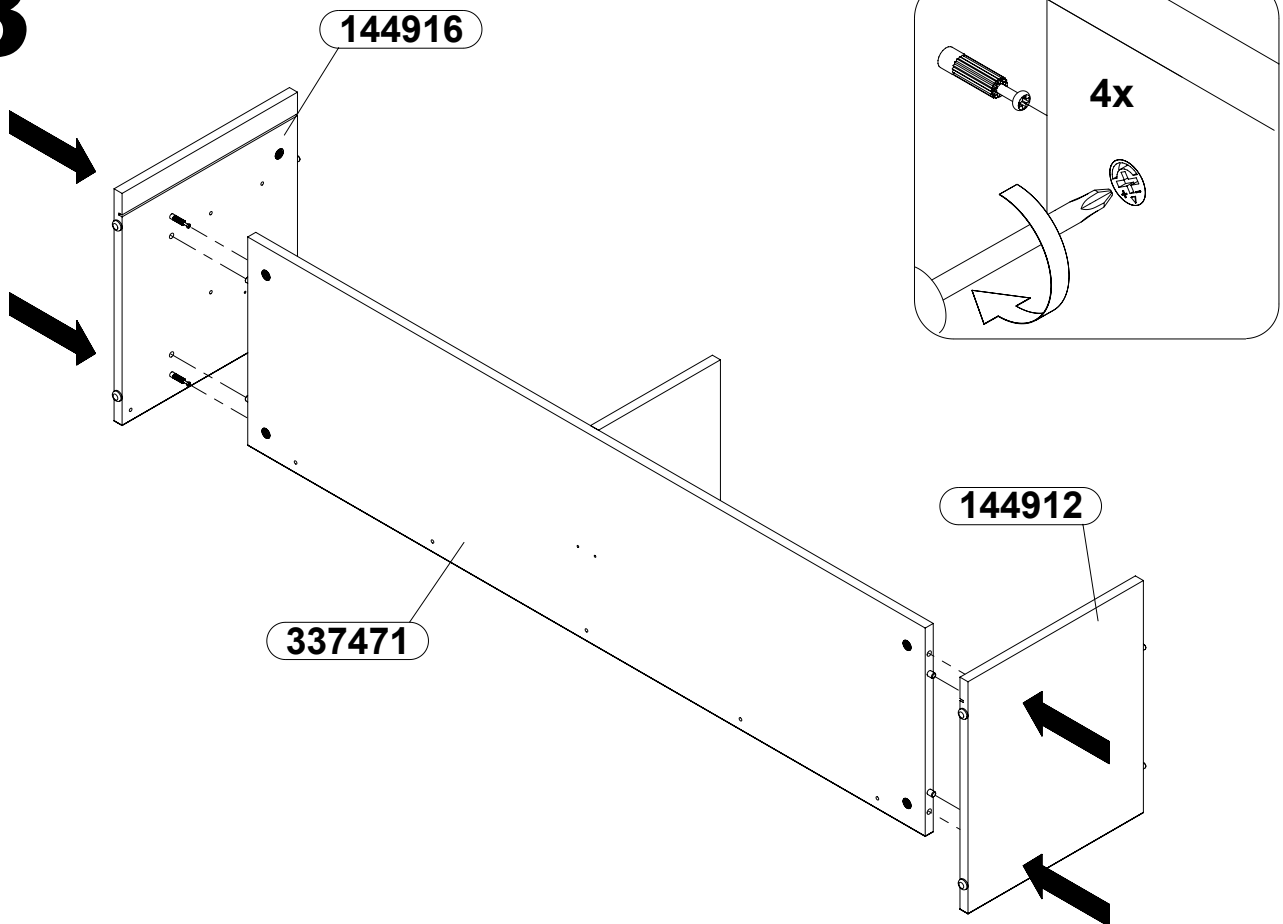
21



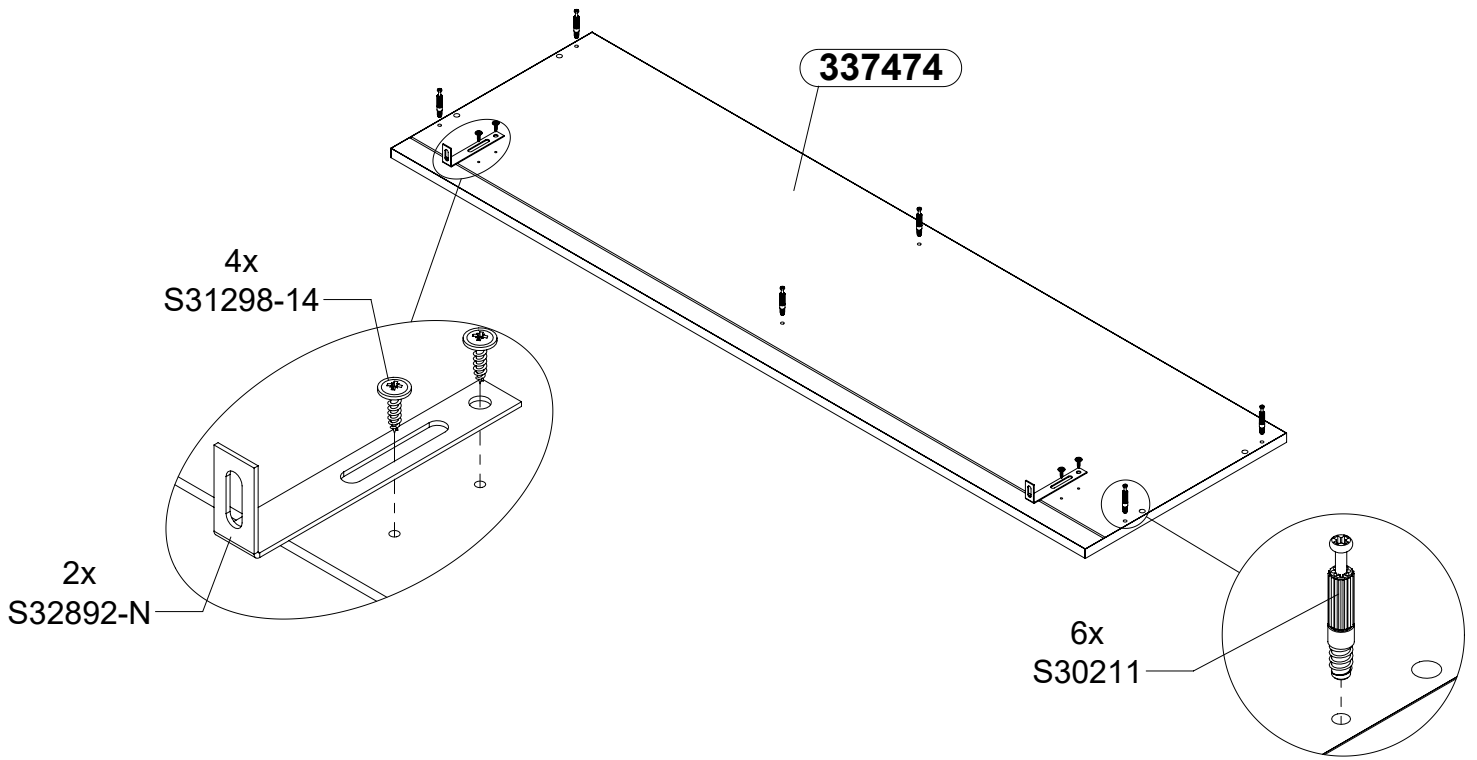
22



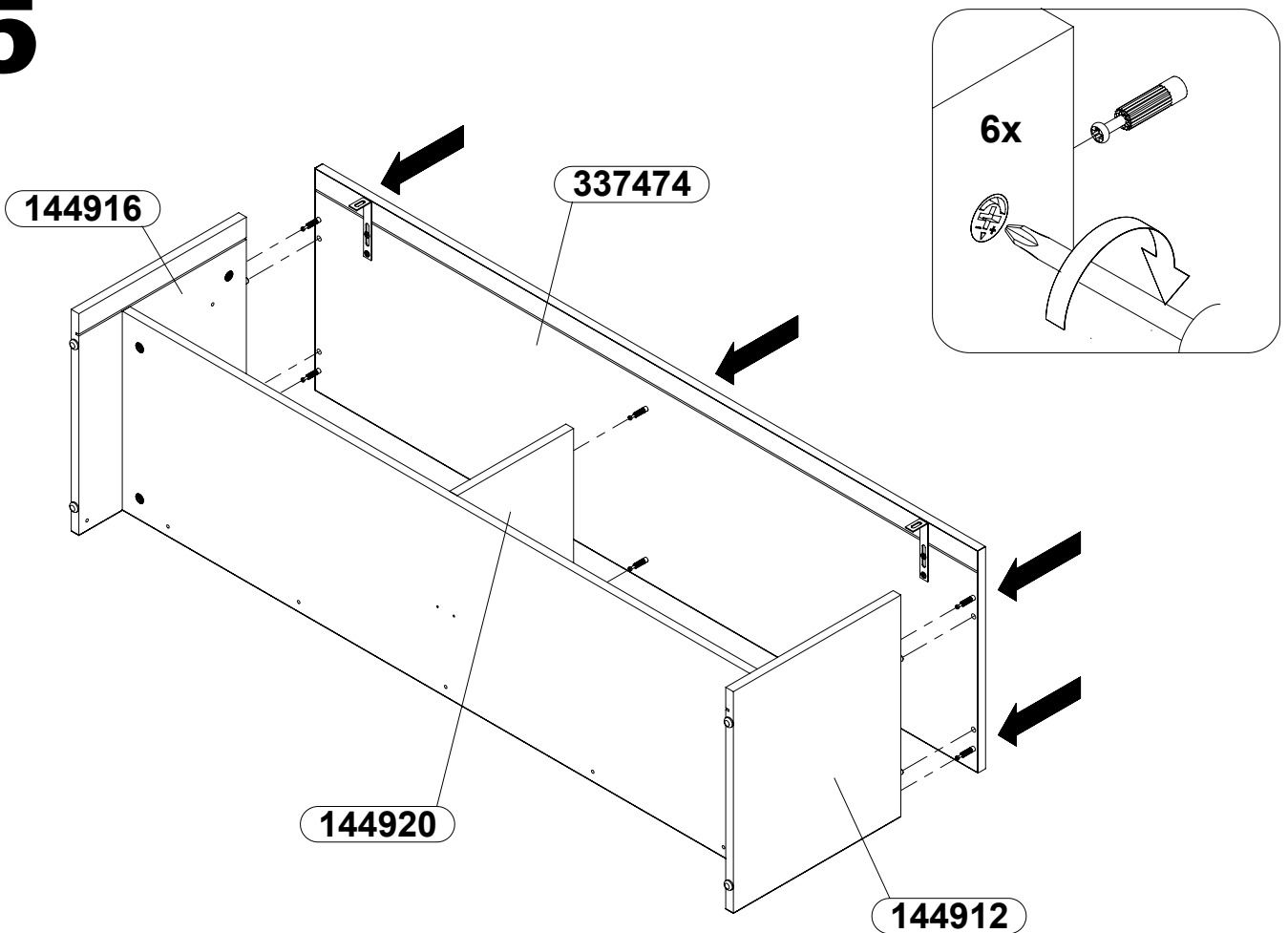
23



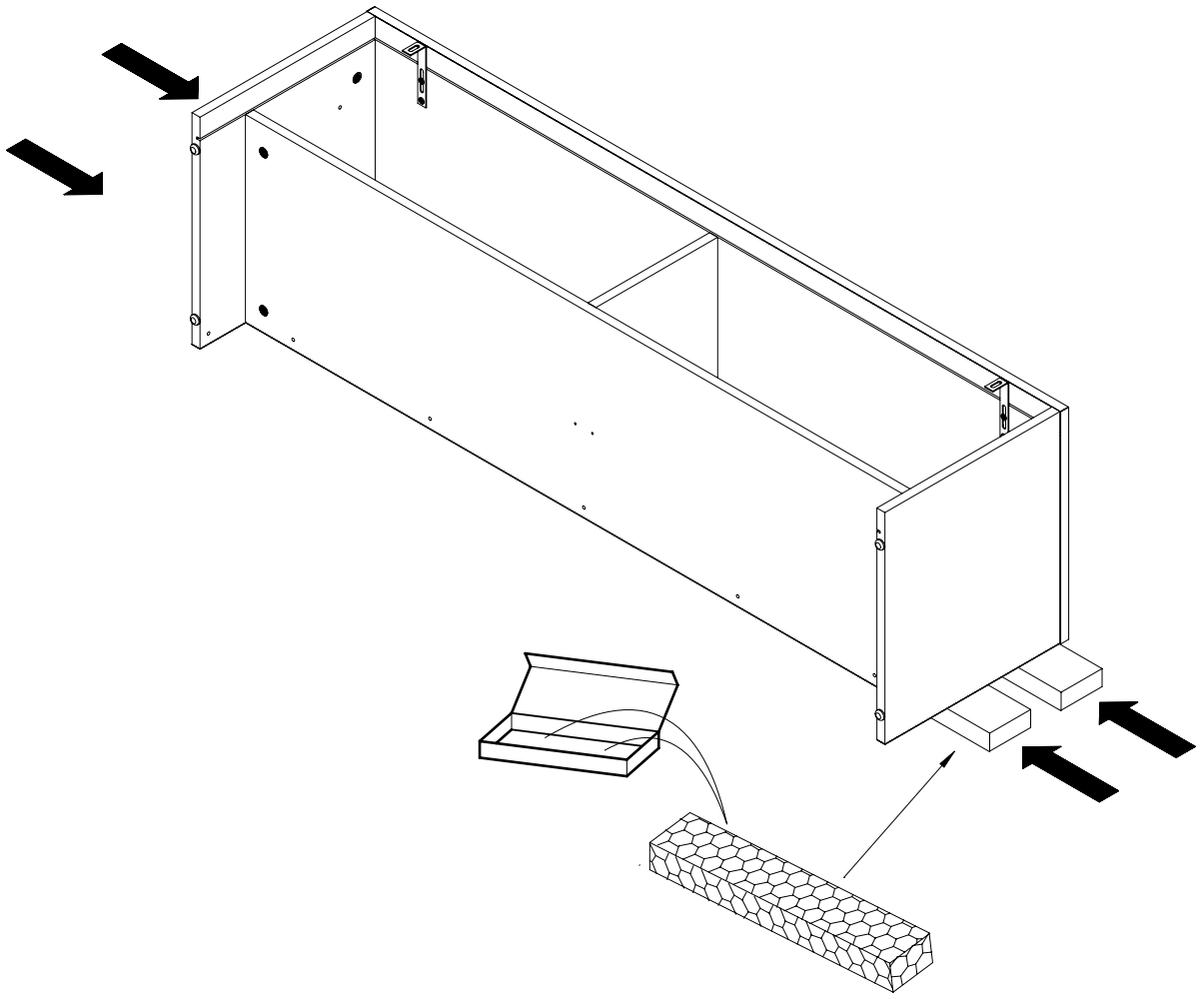
24



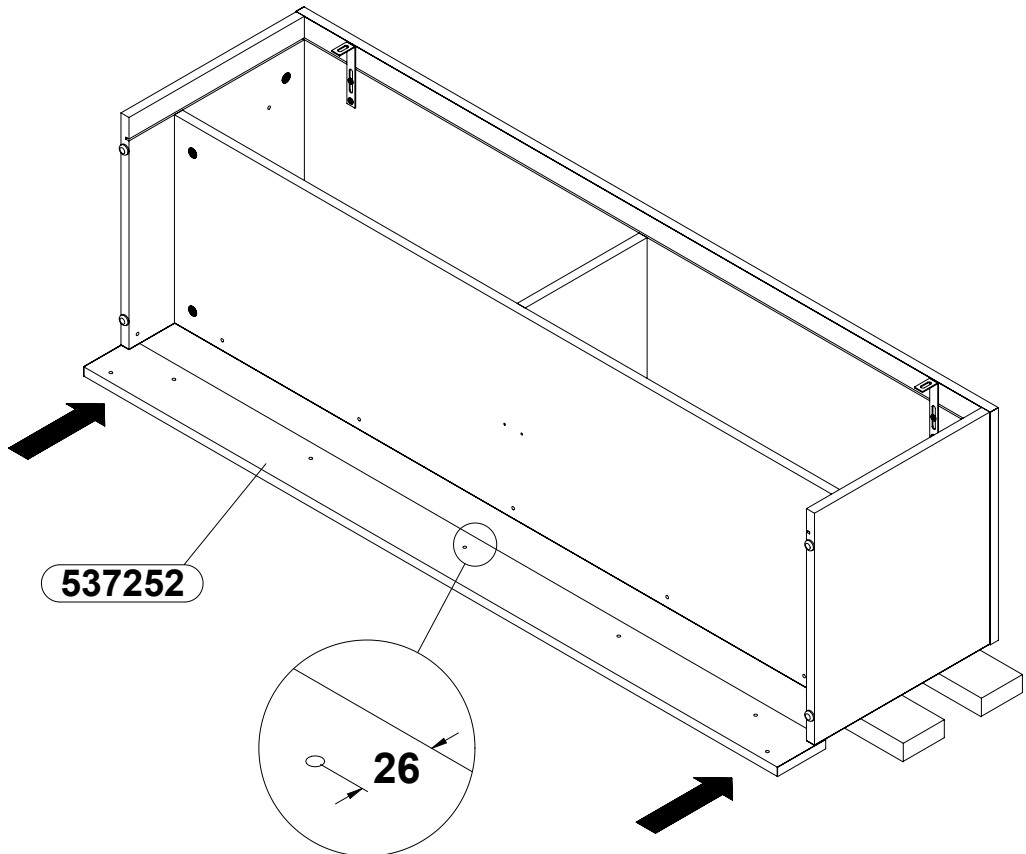
25



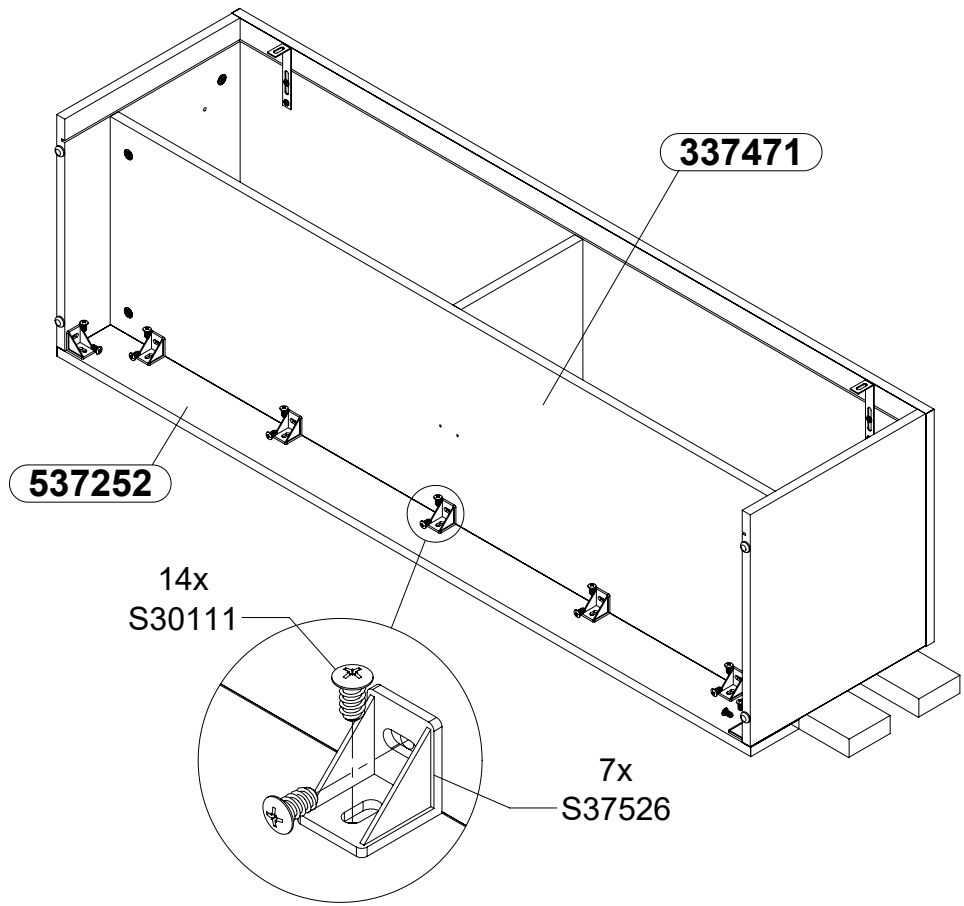
26



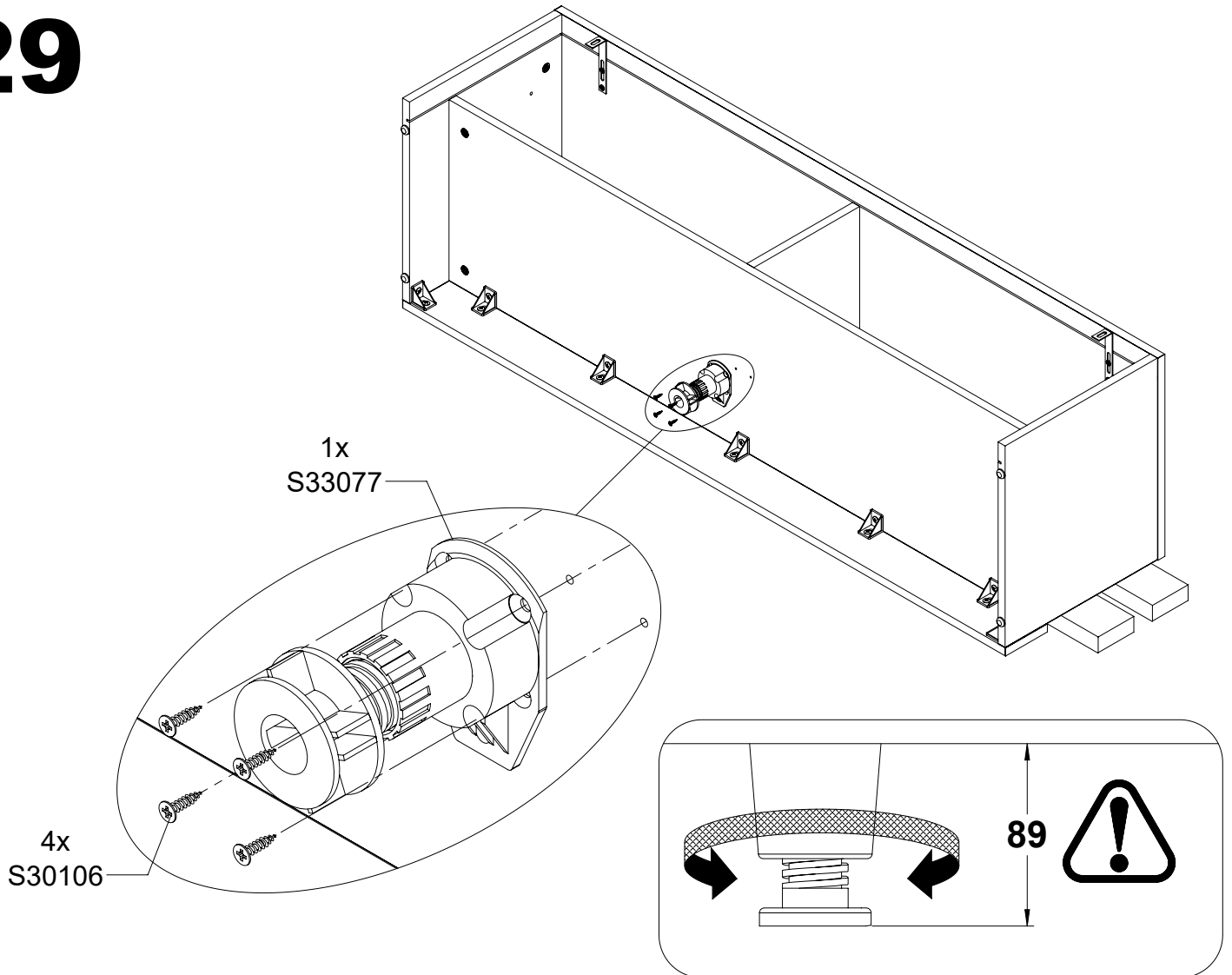
27



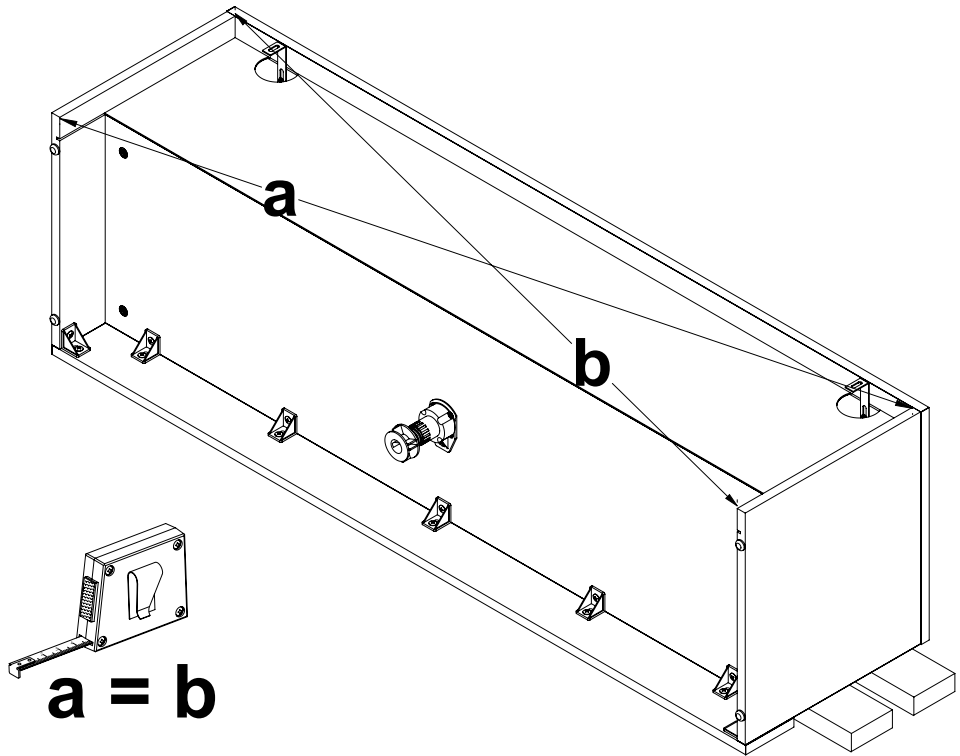
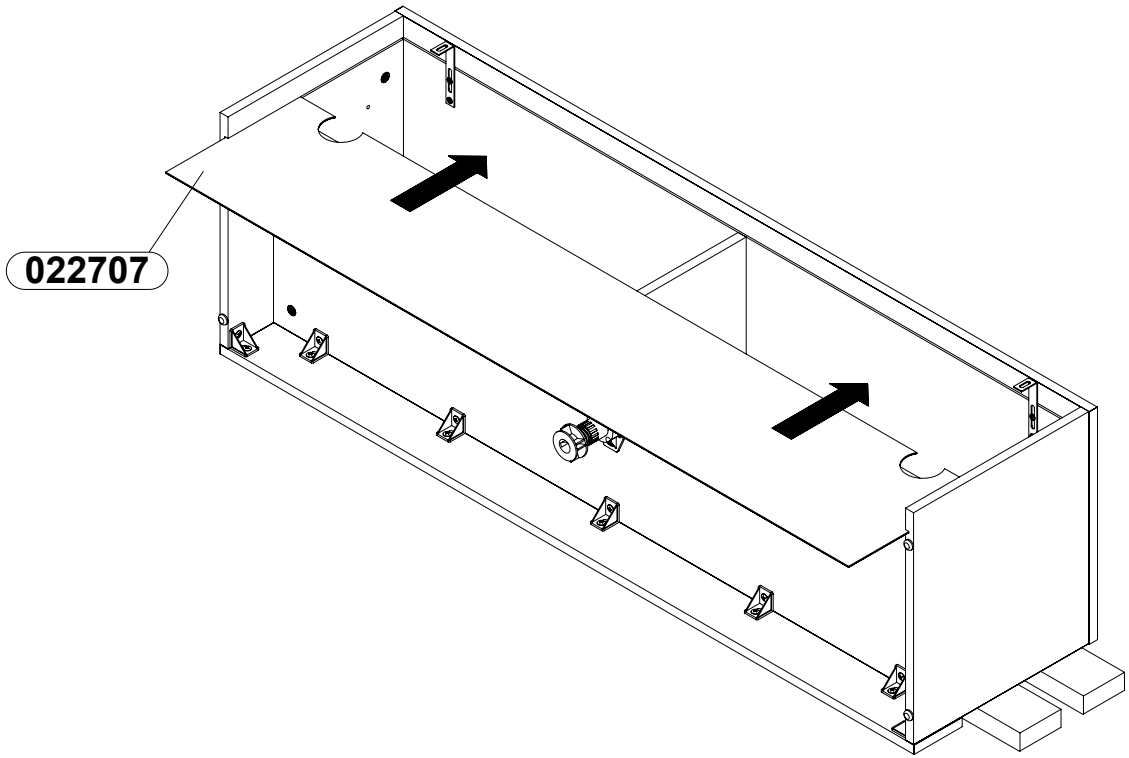
28



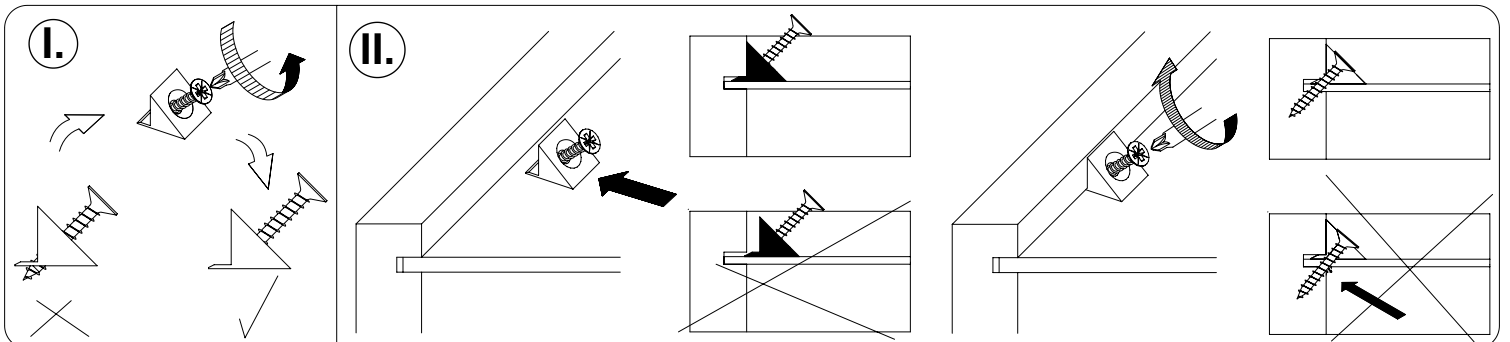
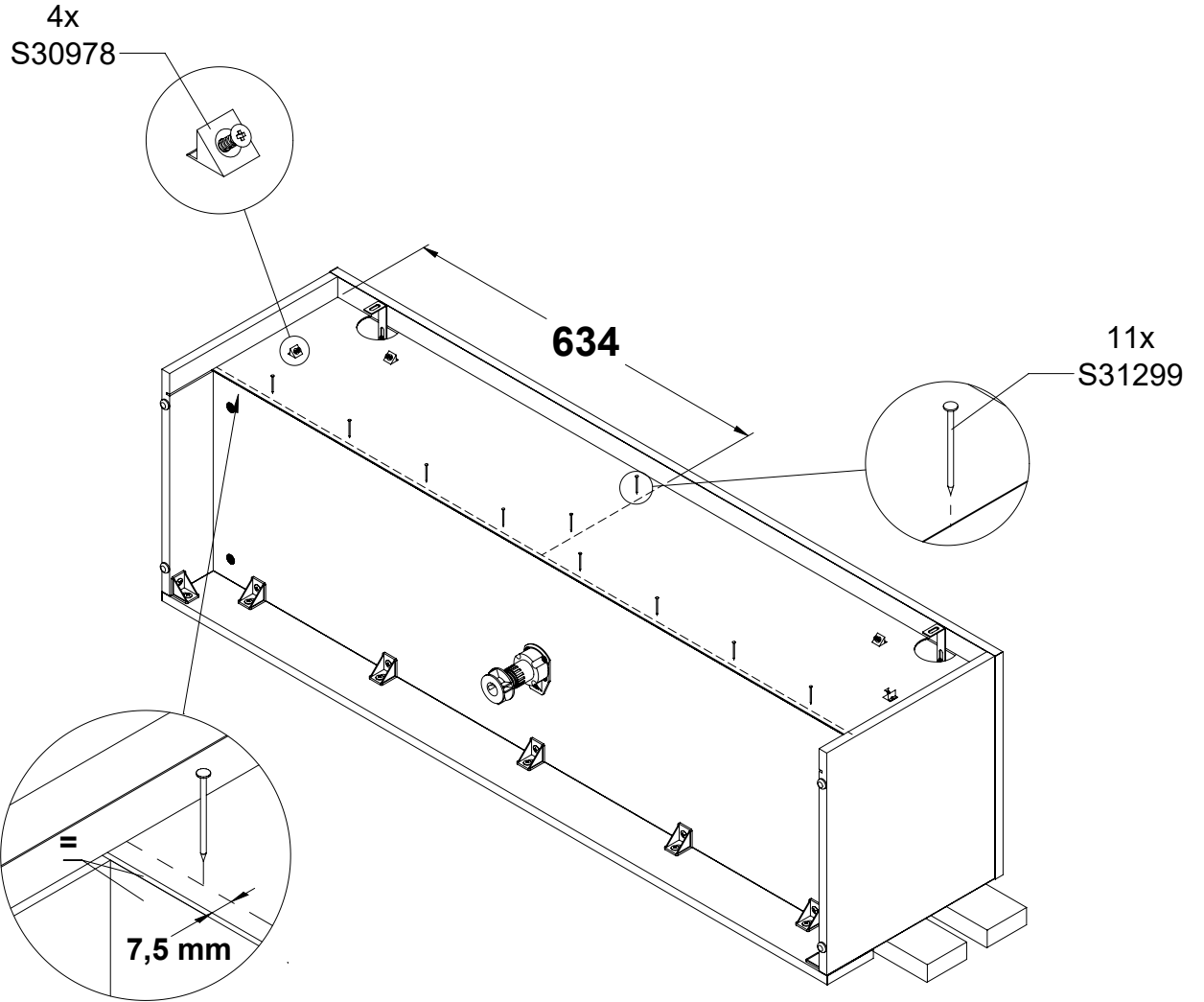
29



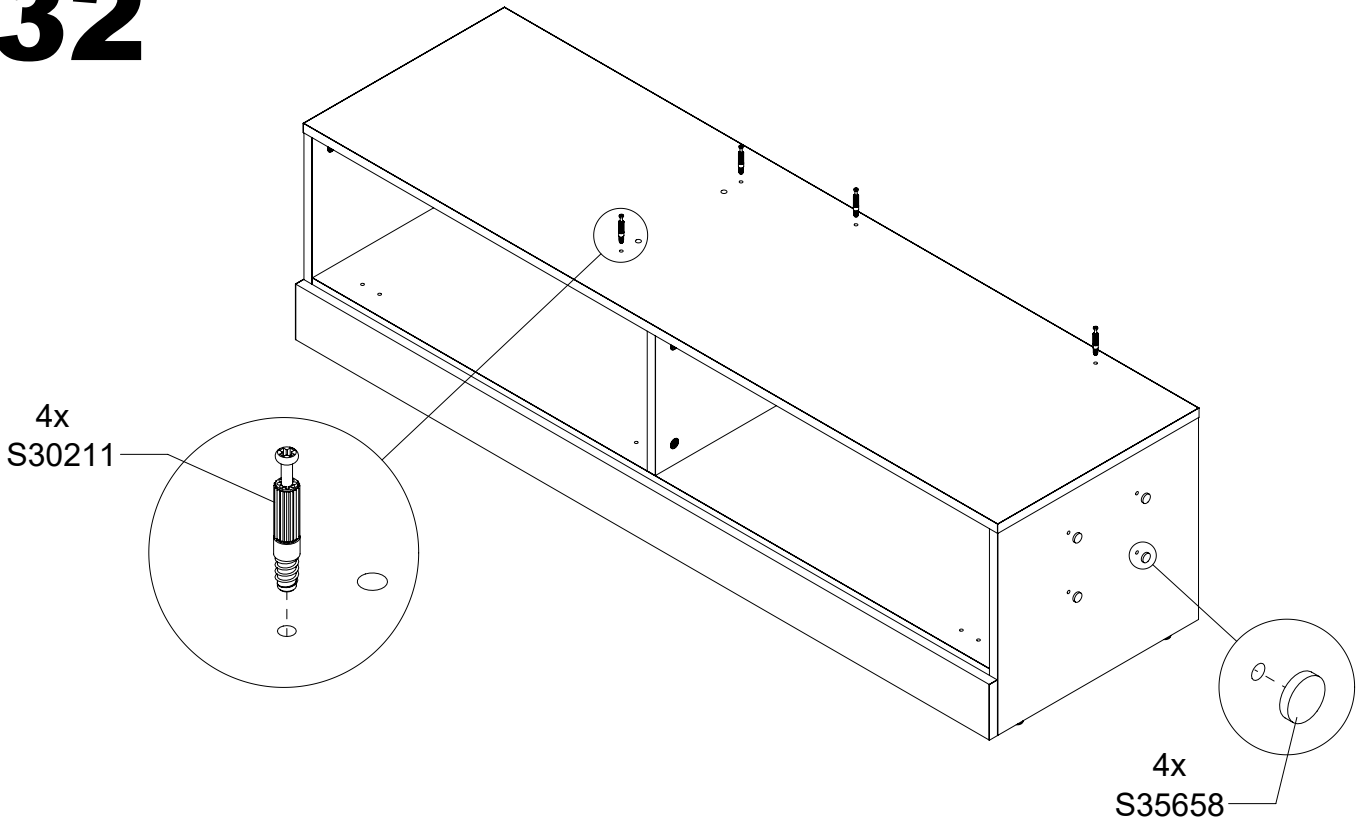
30



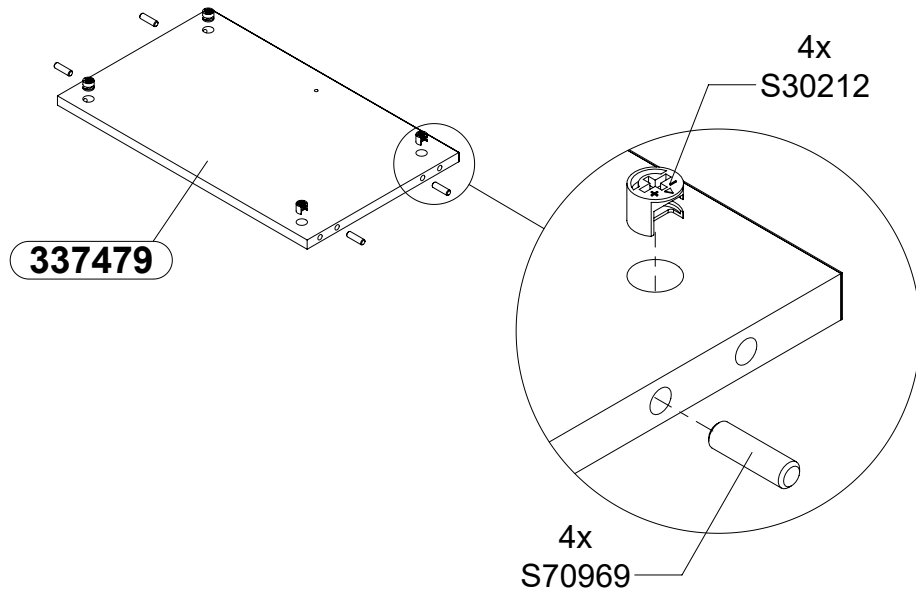
31



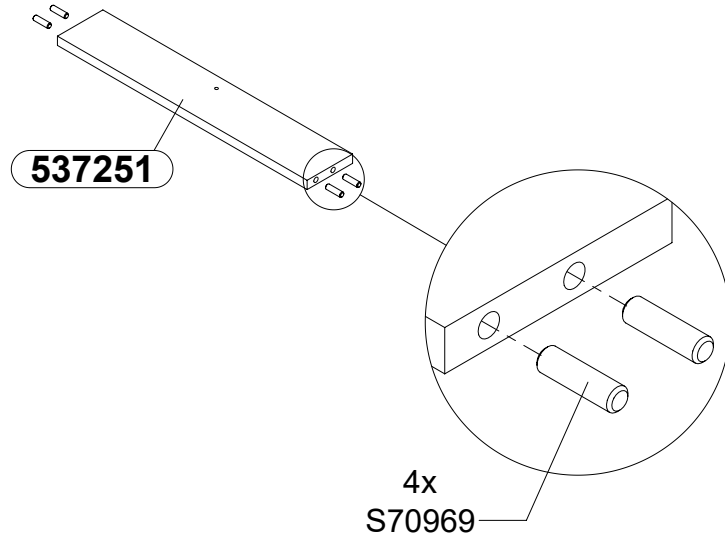
32



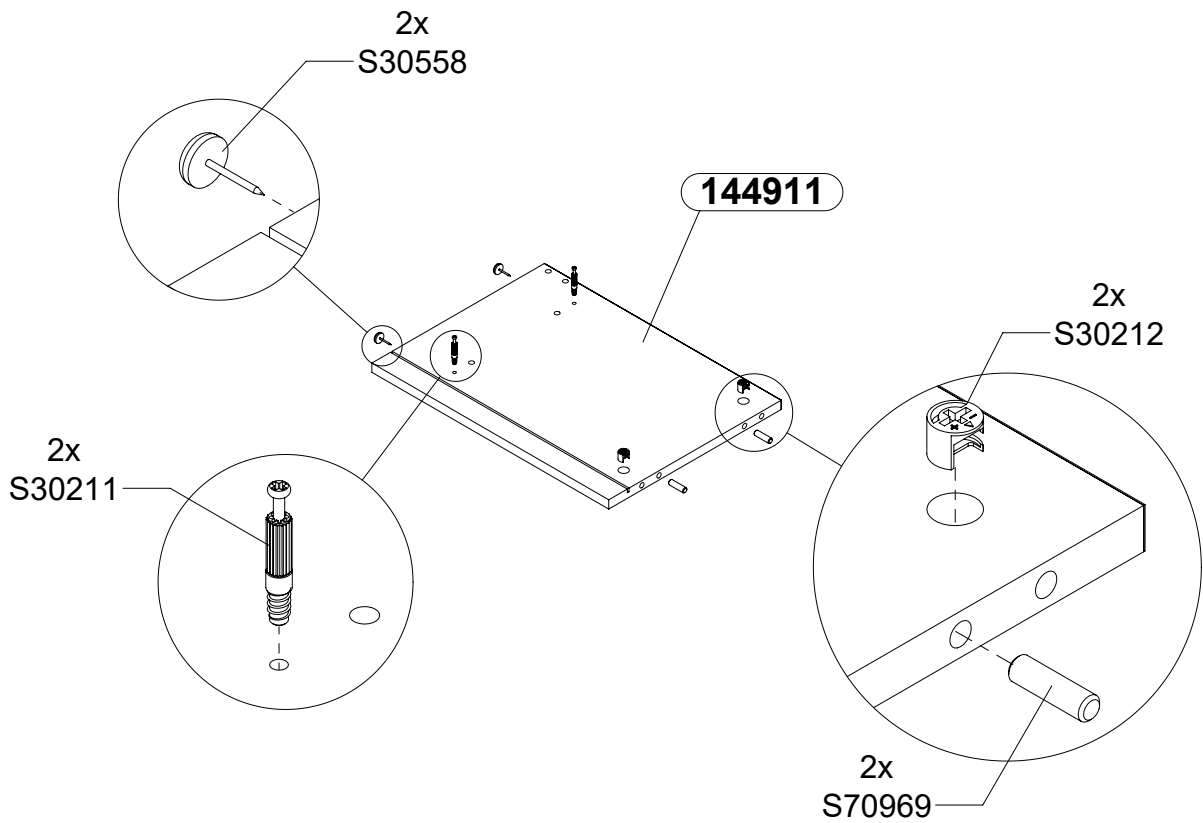
33



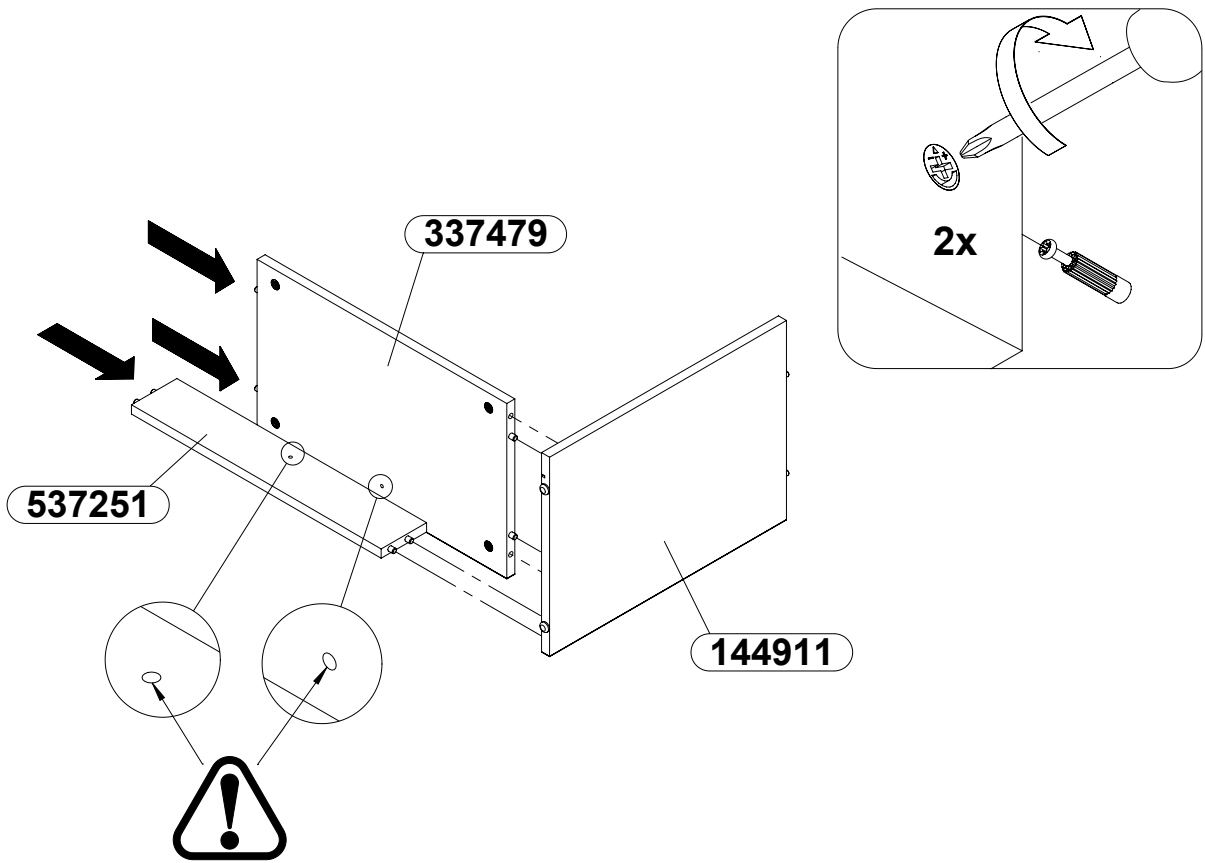
34



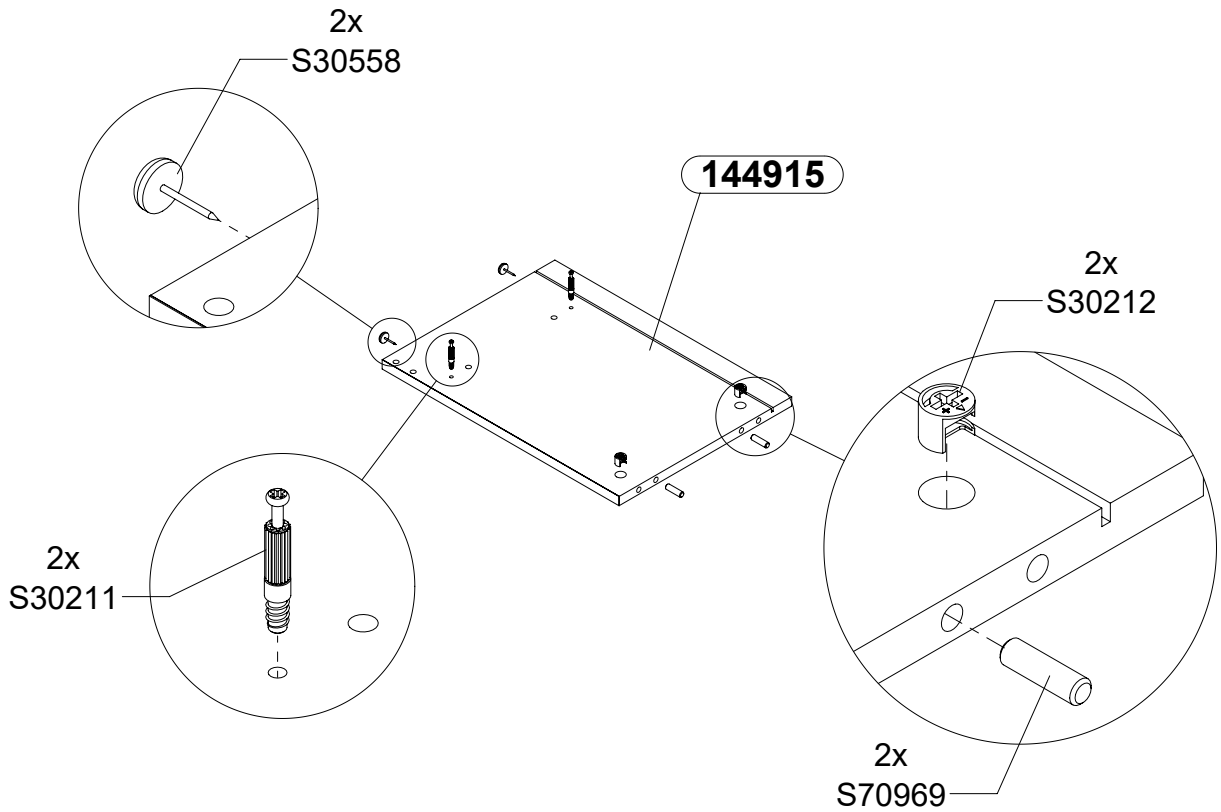
35



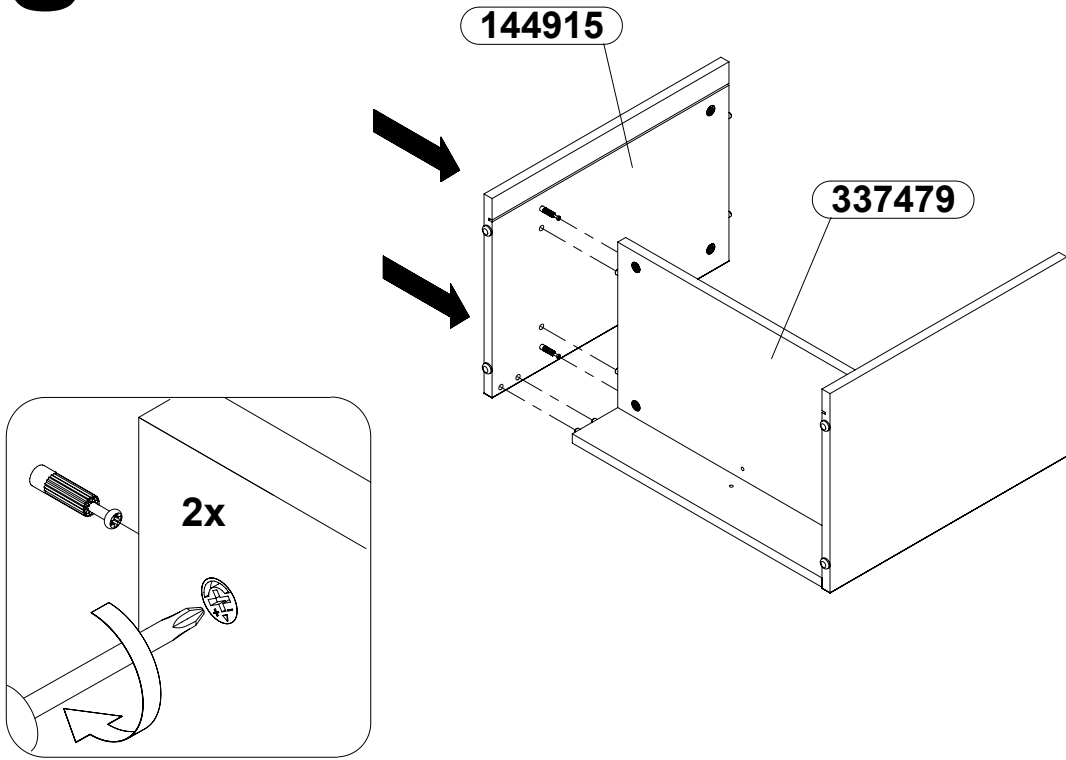
36



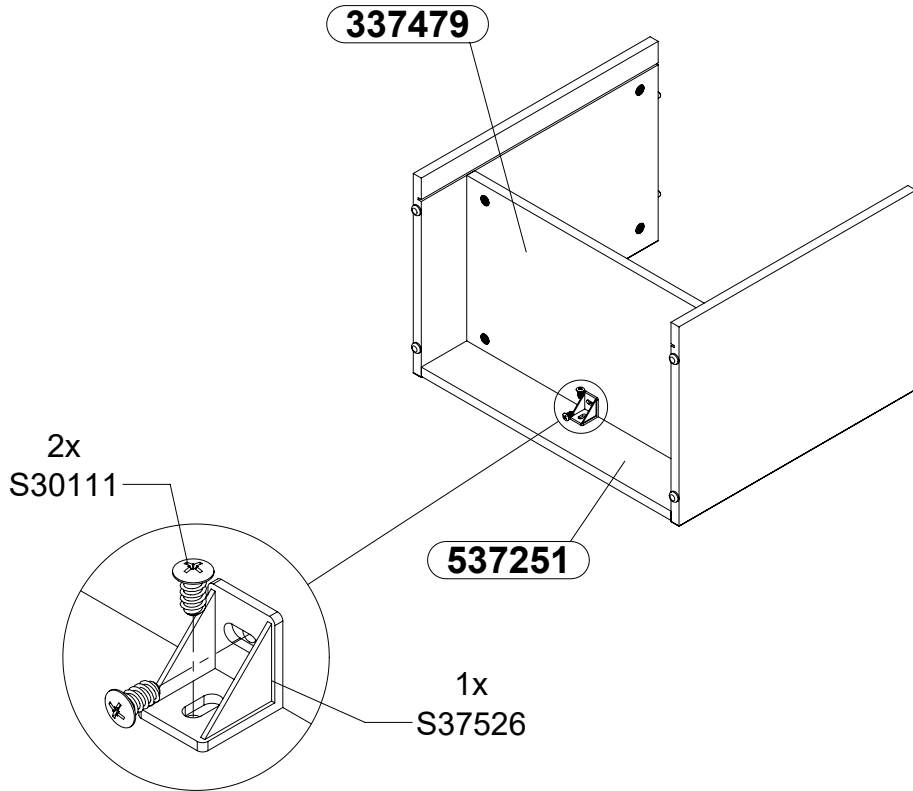
37



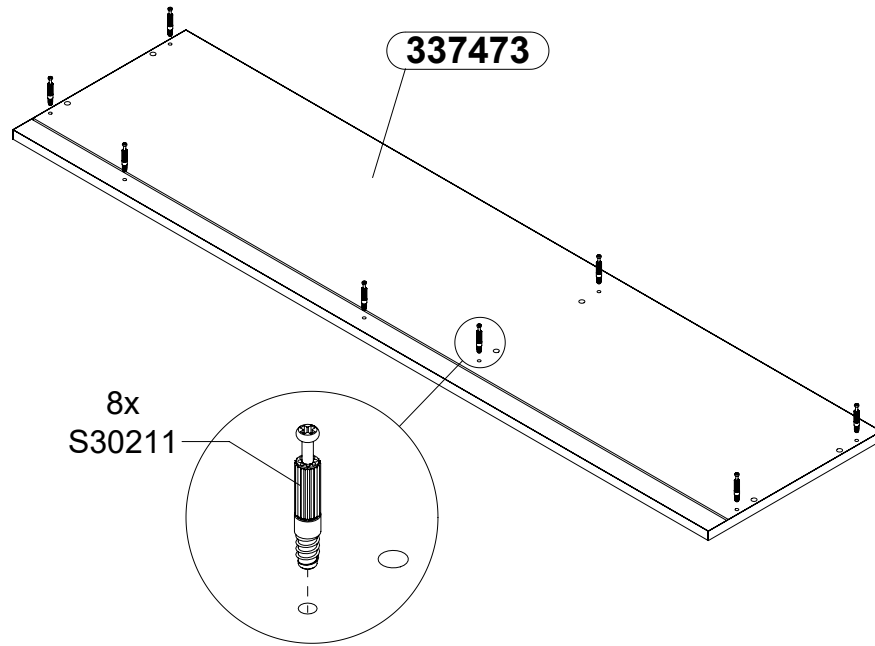
38



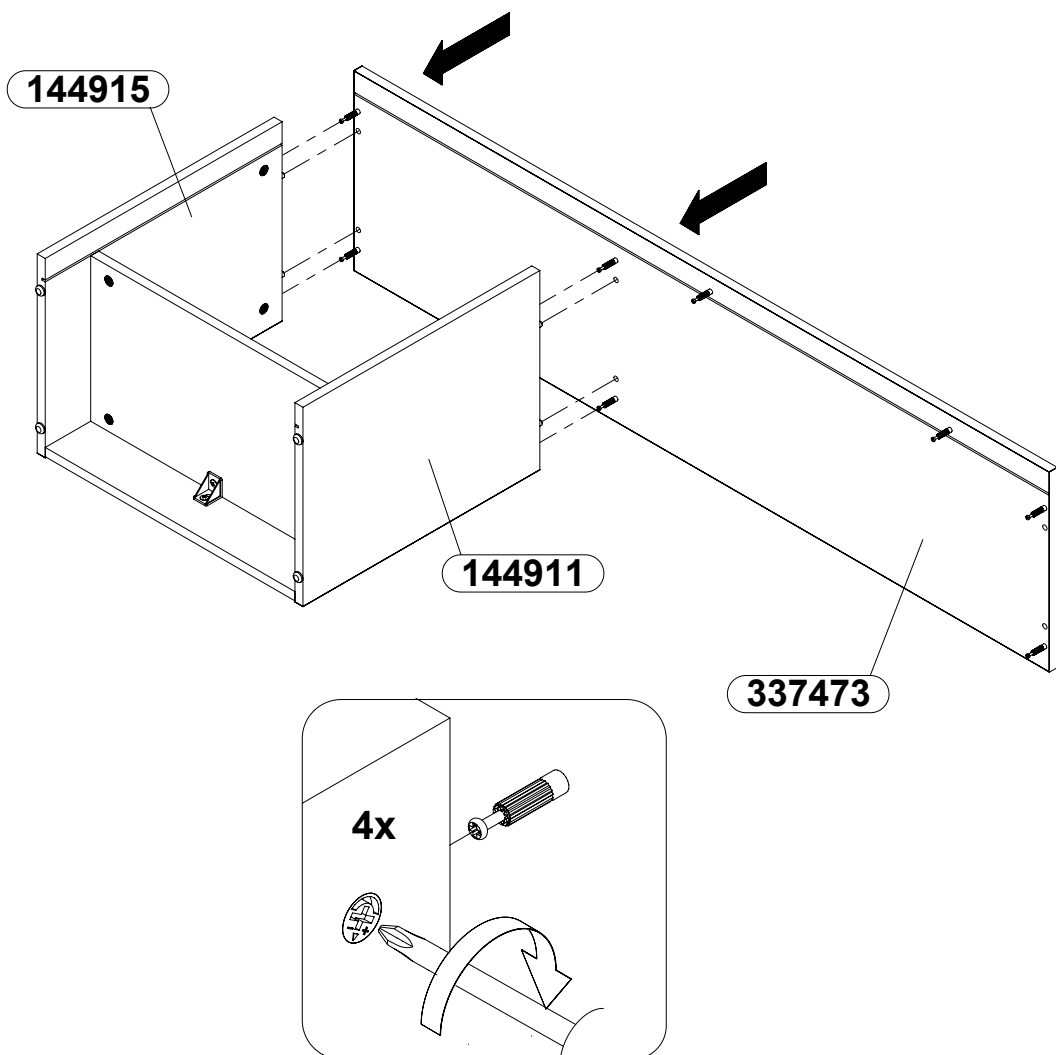
39

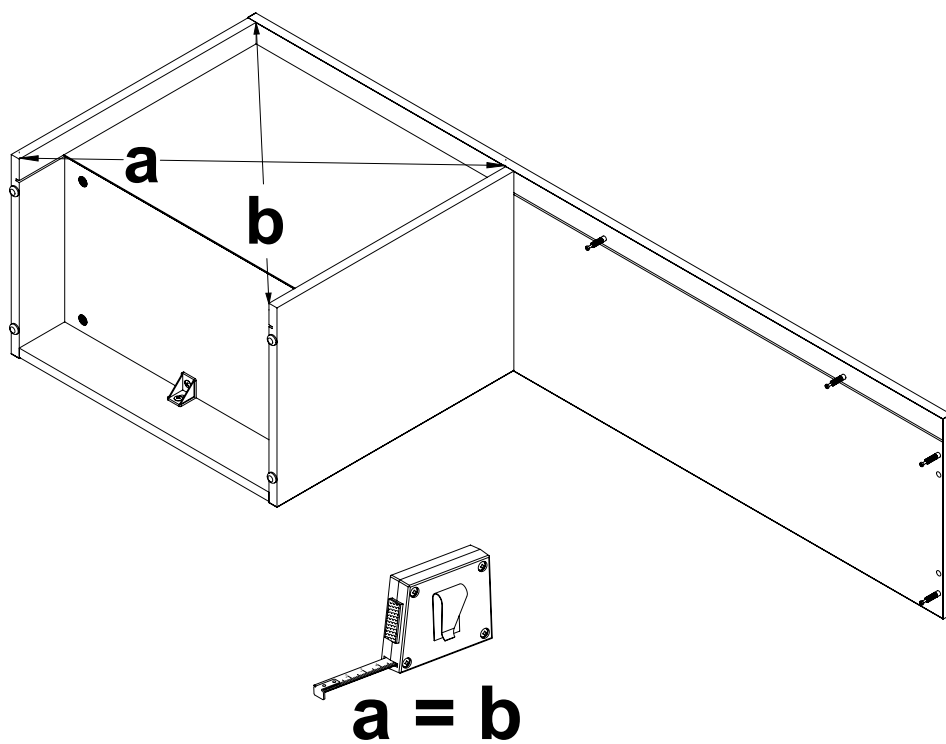
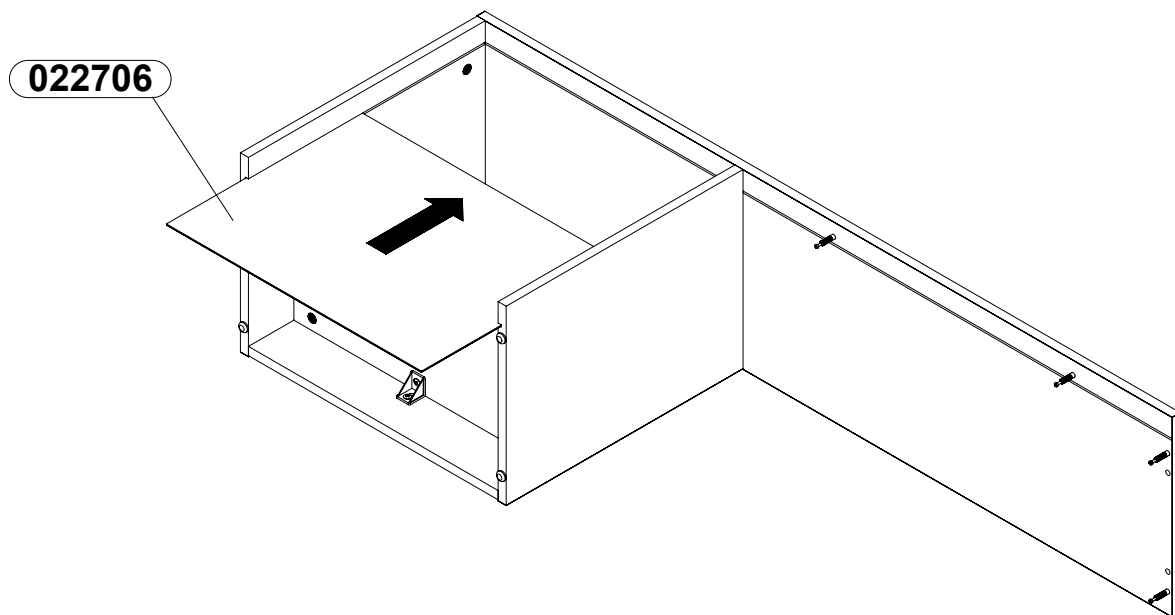


40

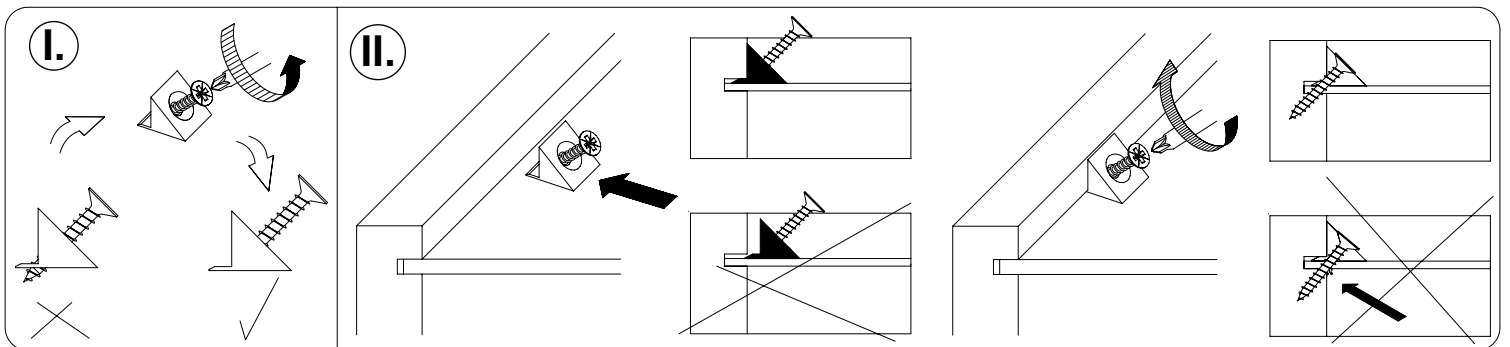
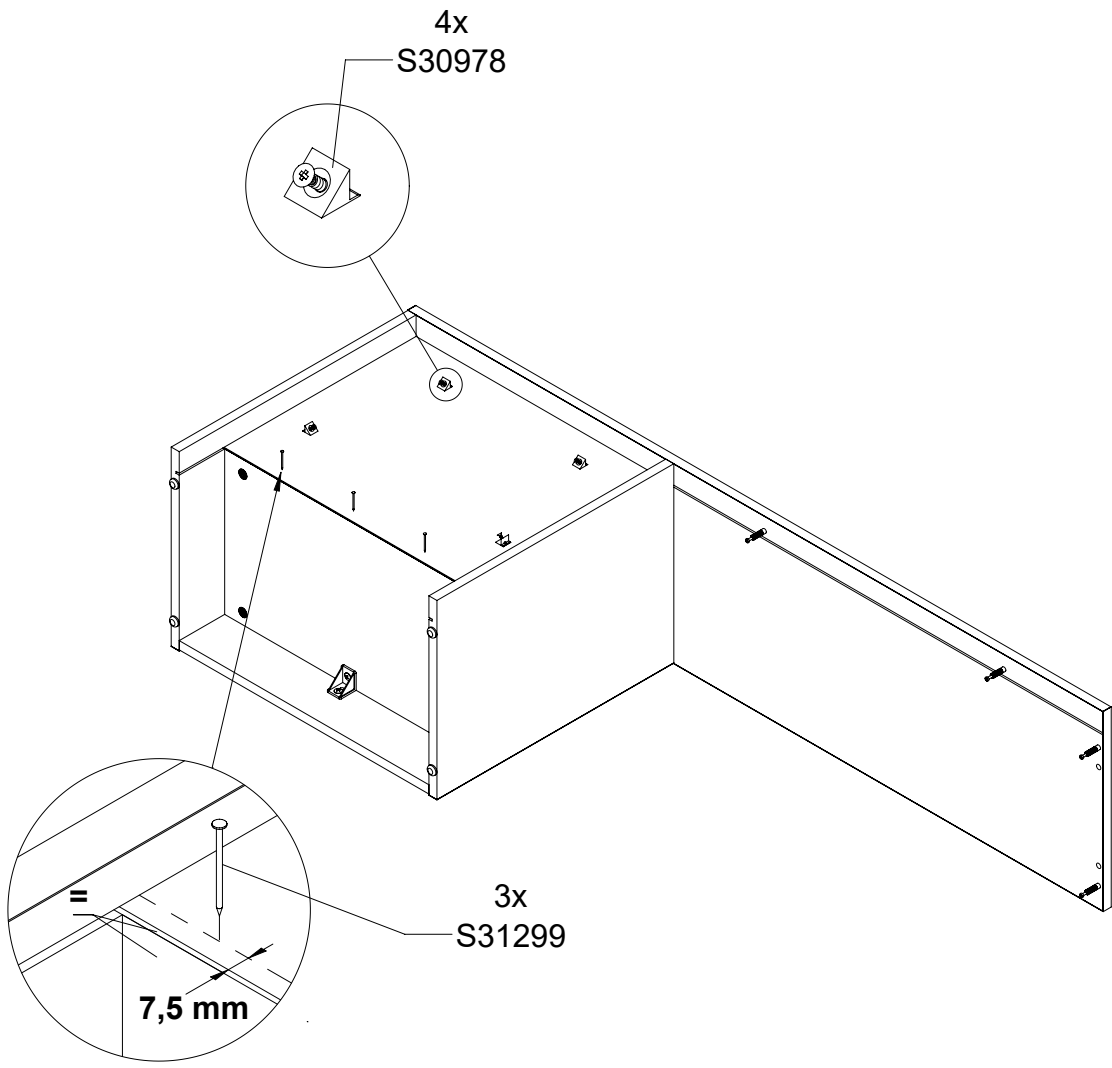


41

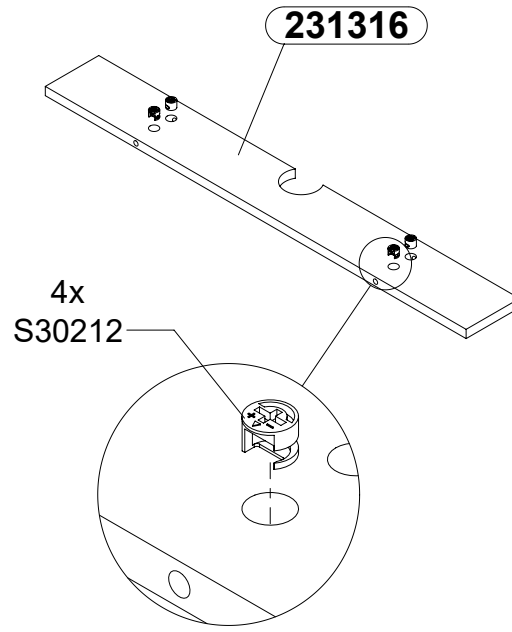




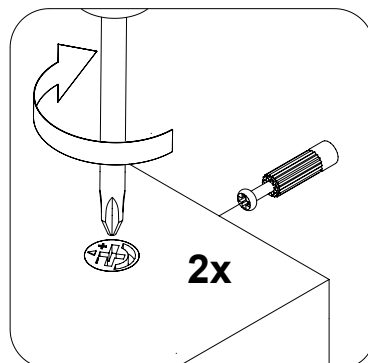
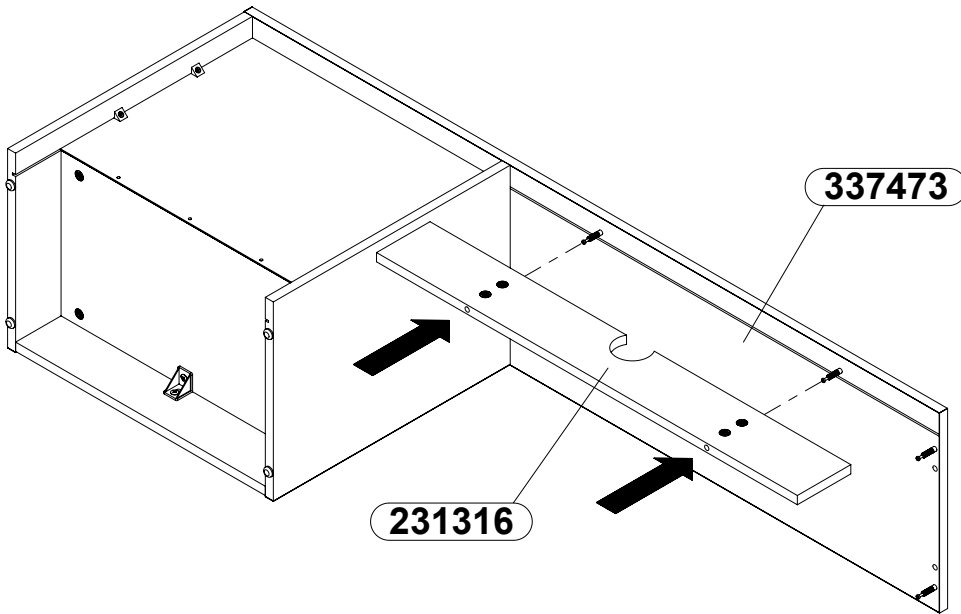
43



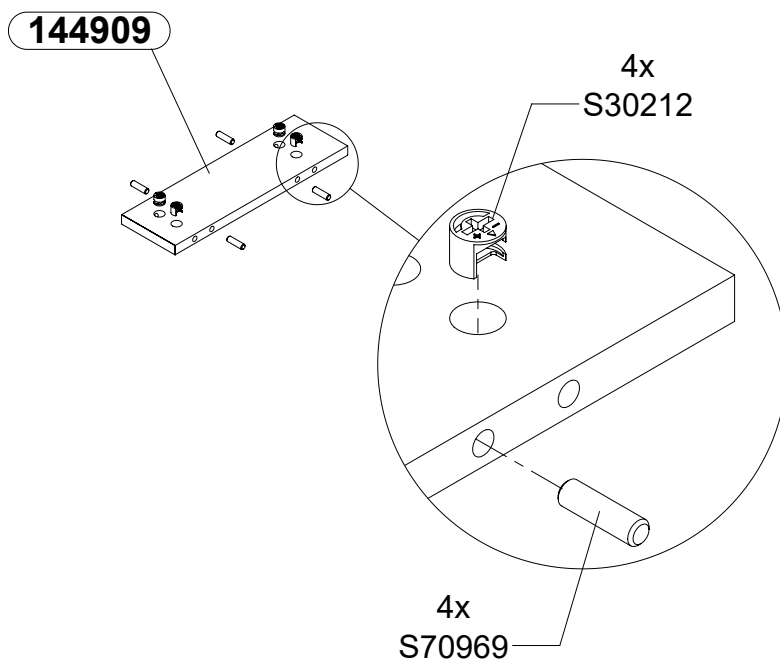
44



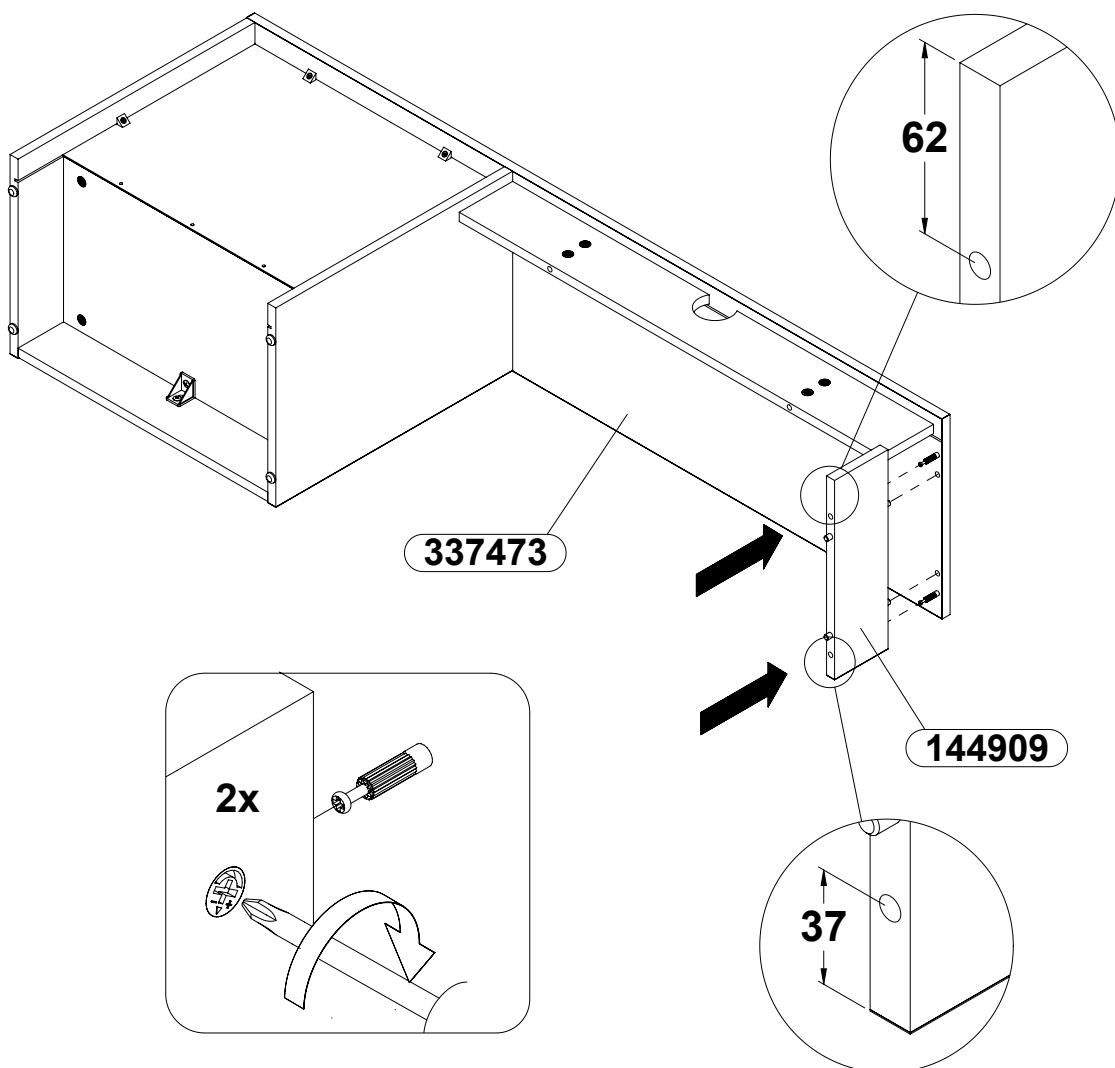
45



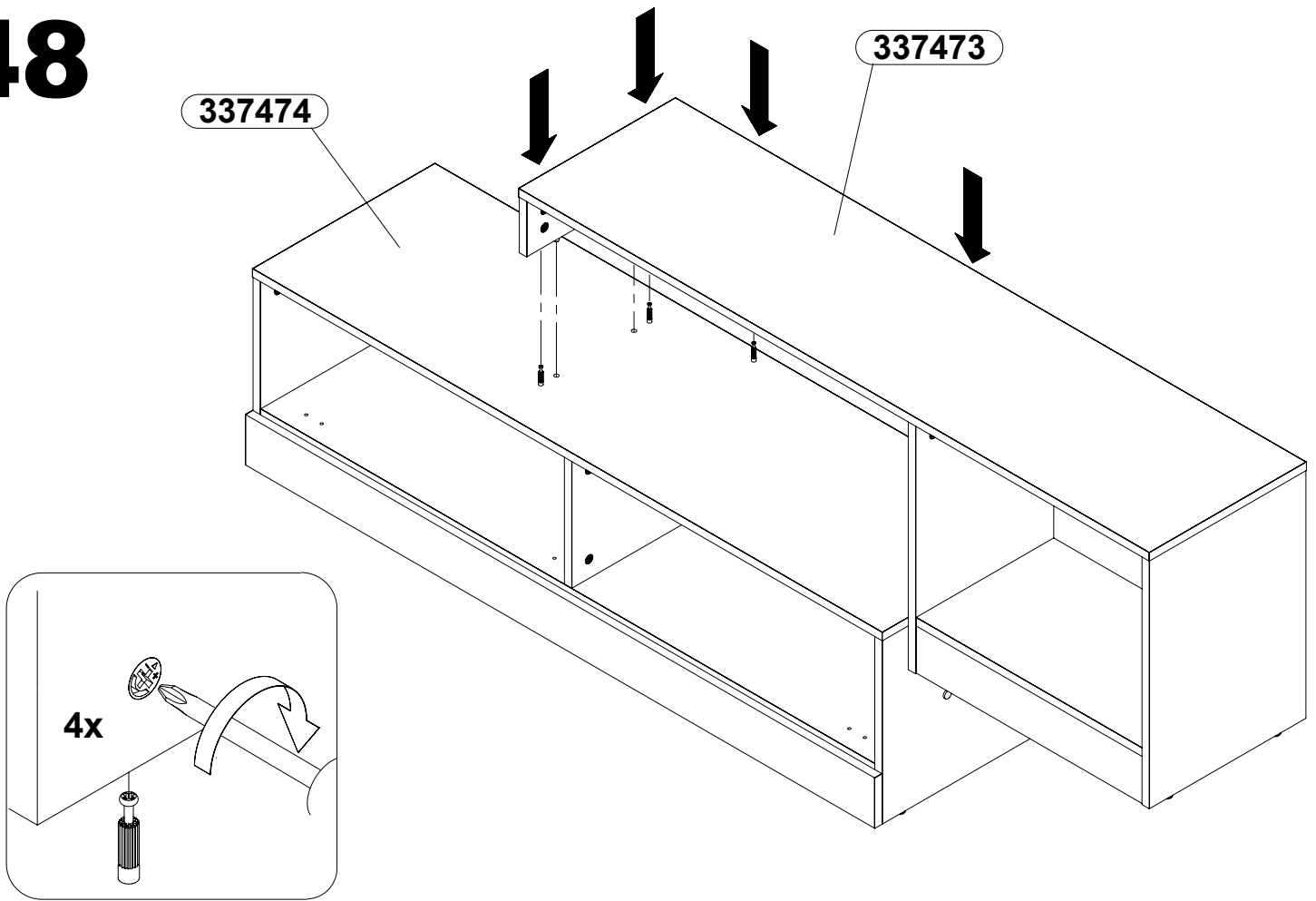
46



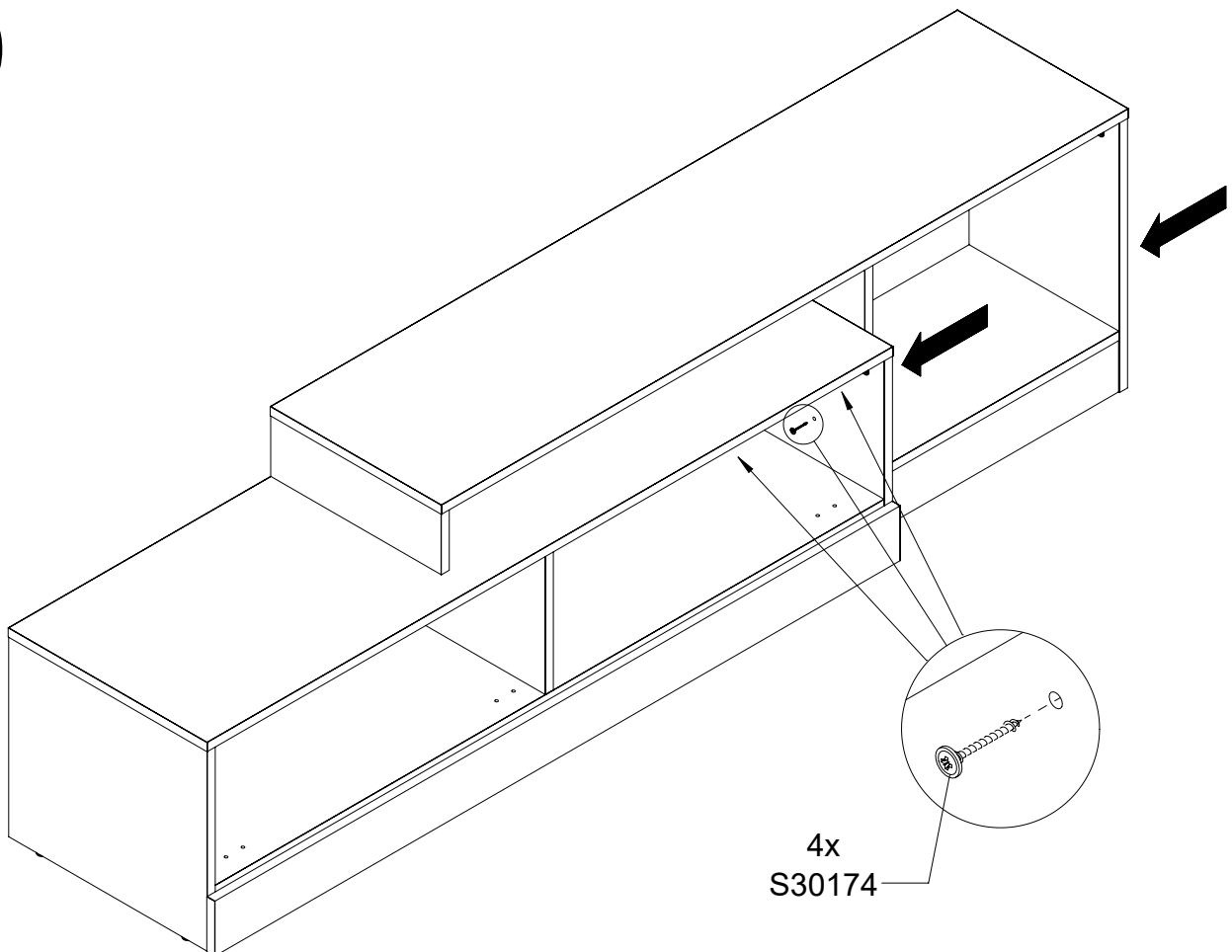
47



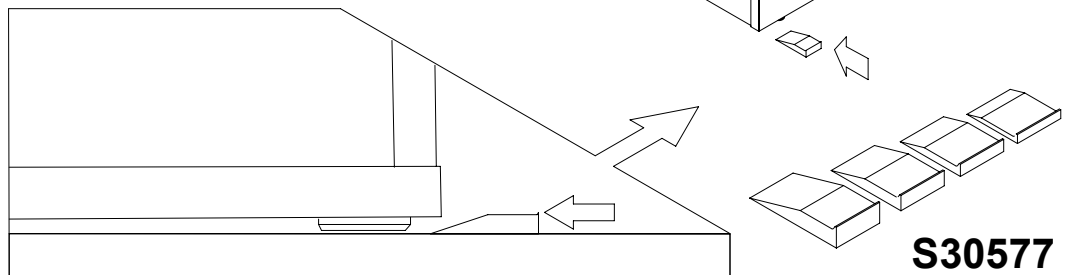
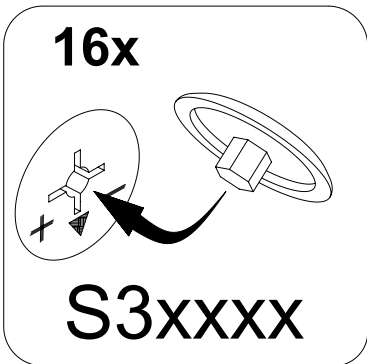
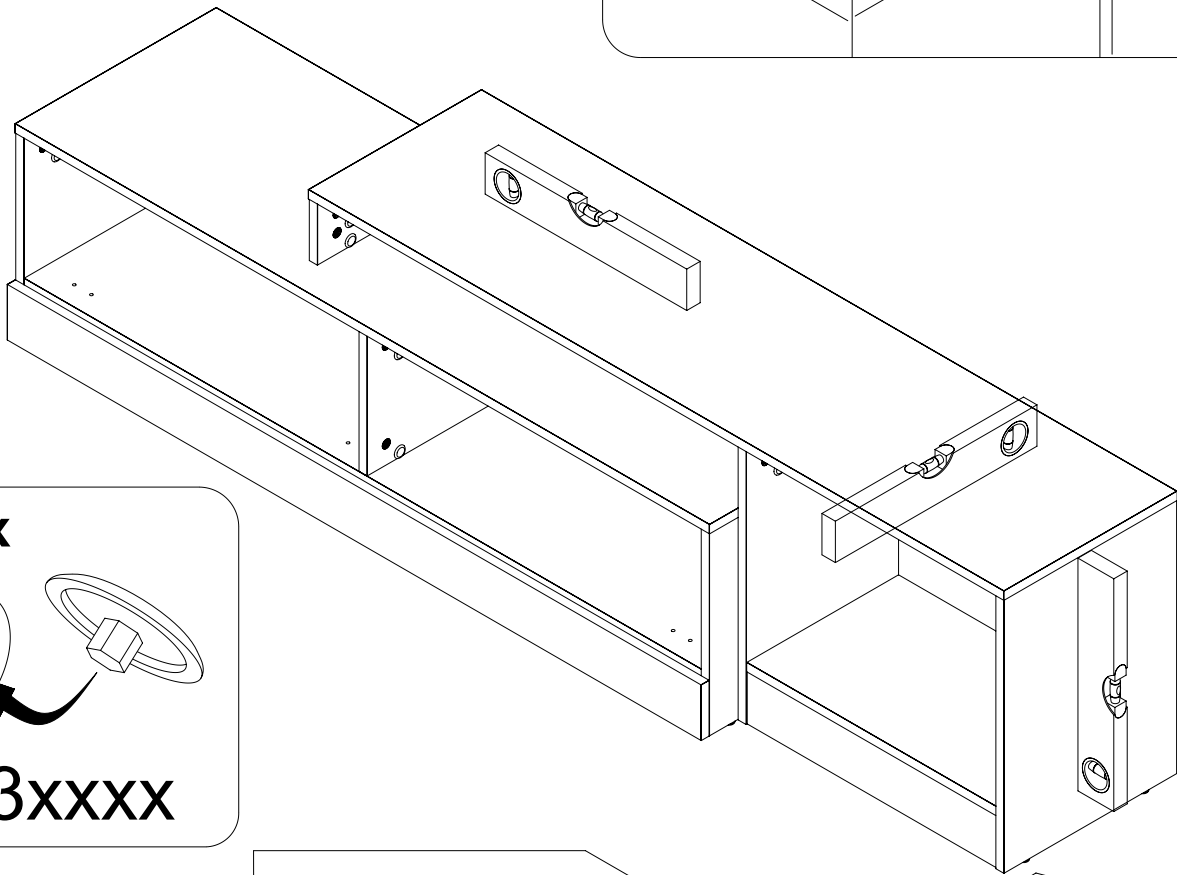
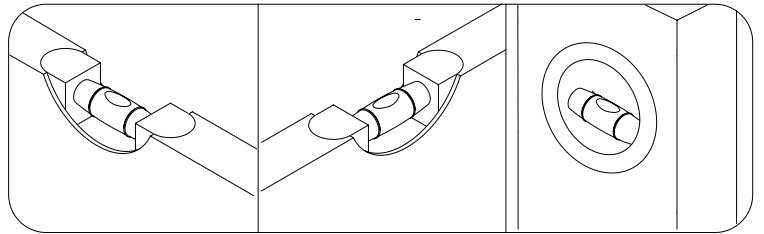
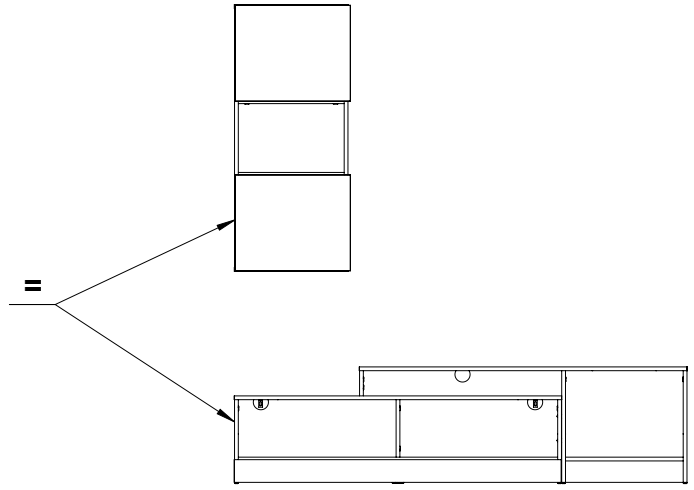
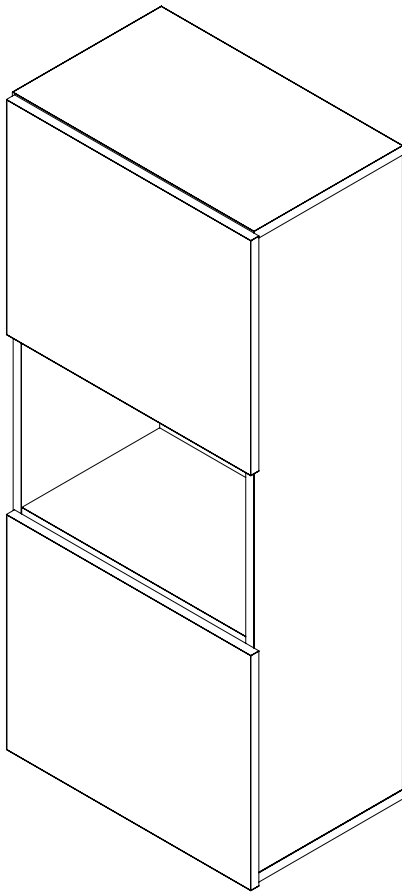
48

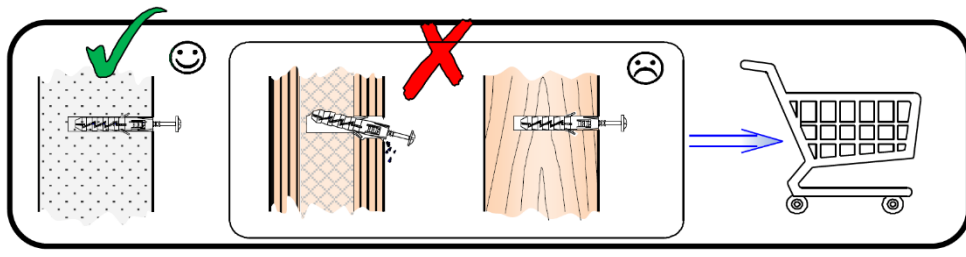


49



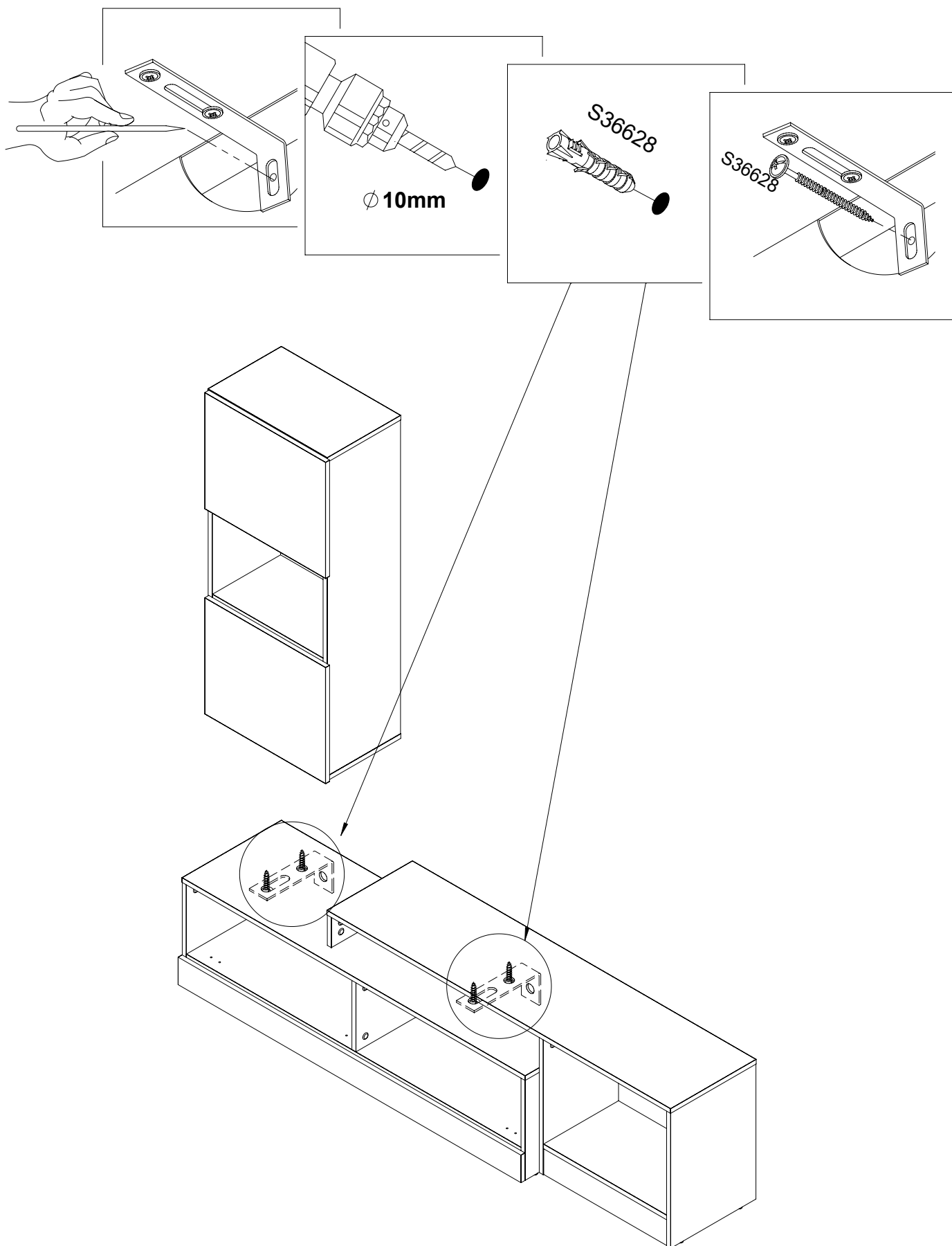
50



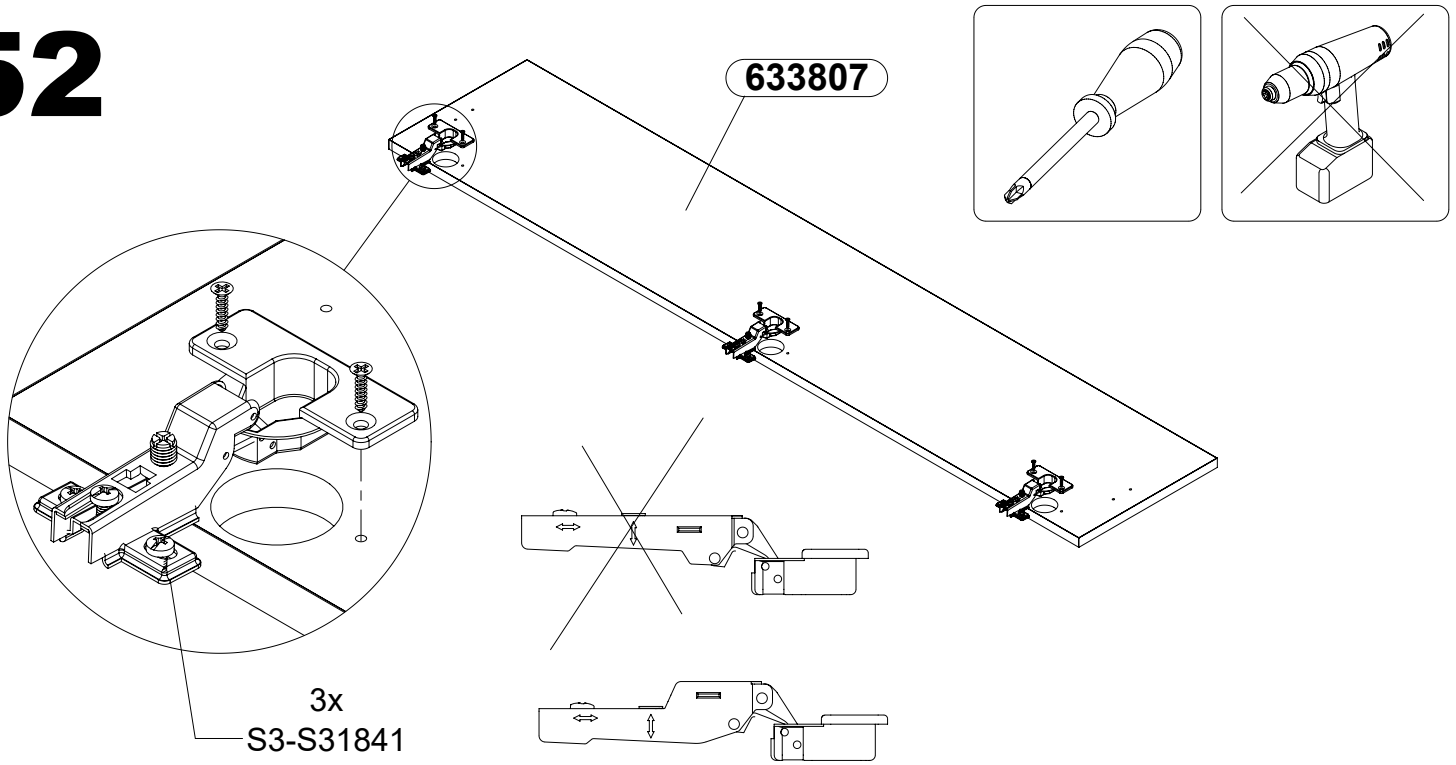


-EN- Before suspending or fixing furniture to the wall (in order to prevent falling over), check the type and strength of the wall. Select wall plugs and screws appropriate for the given type of the wall. In the case of doubts, contact a specialist. The installation must be performed by a competent person. **WARNING!!!** If the rawlplugs with screws are attached to the product, then they are intended only for walls made of solid and homogeneous materials.

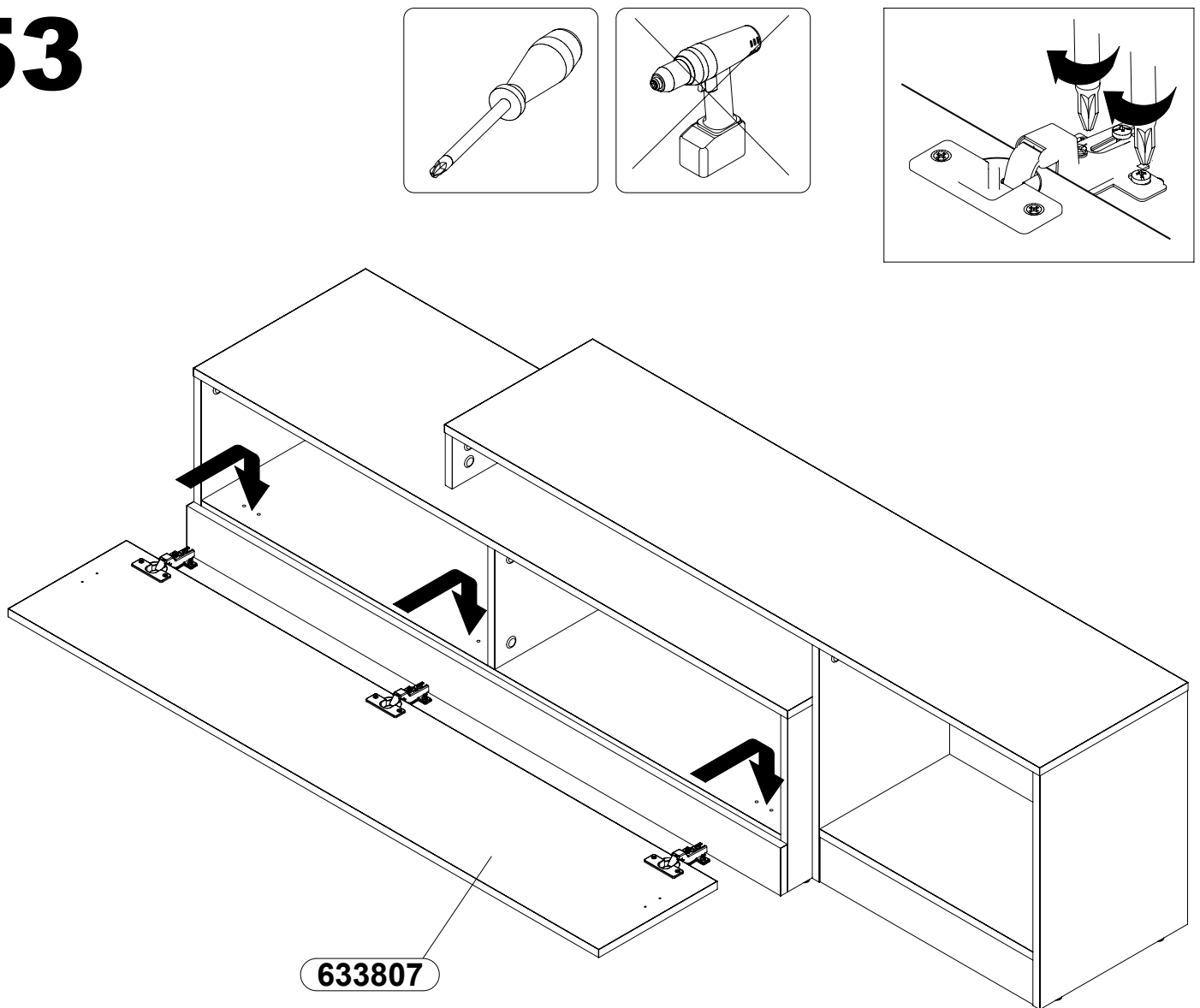
51

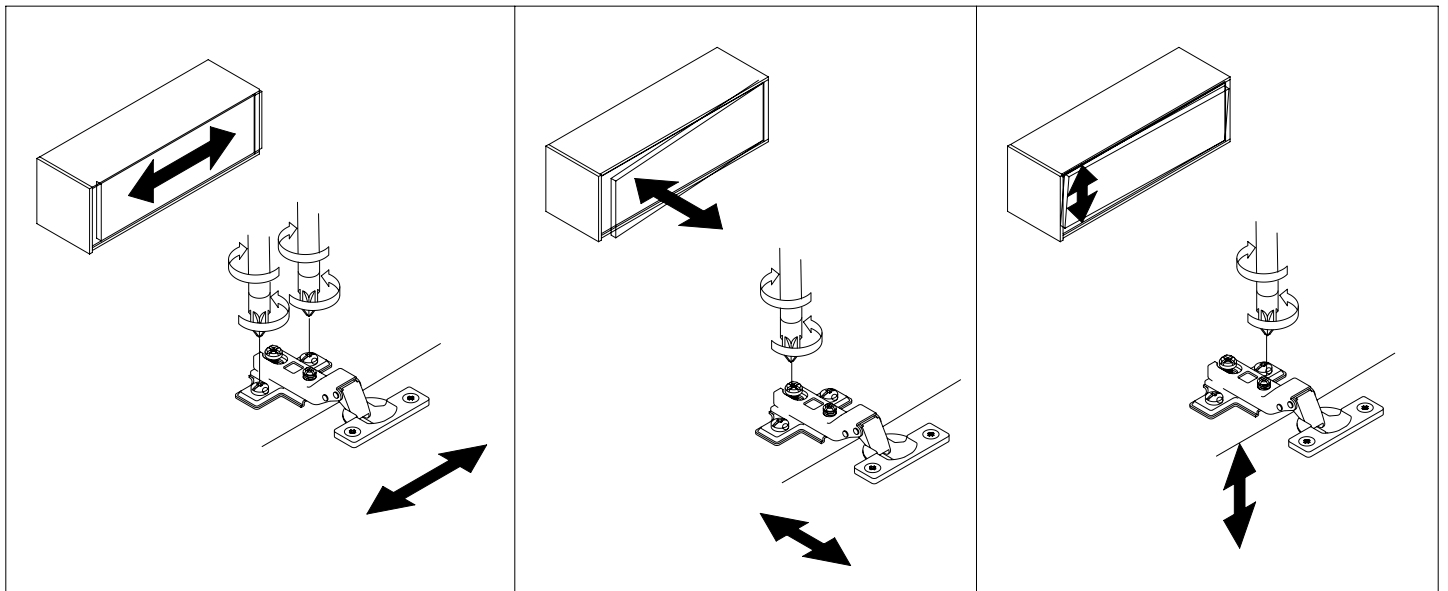
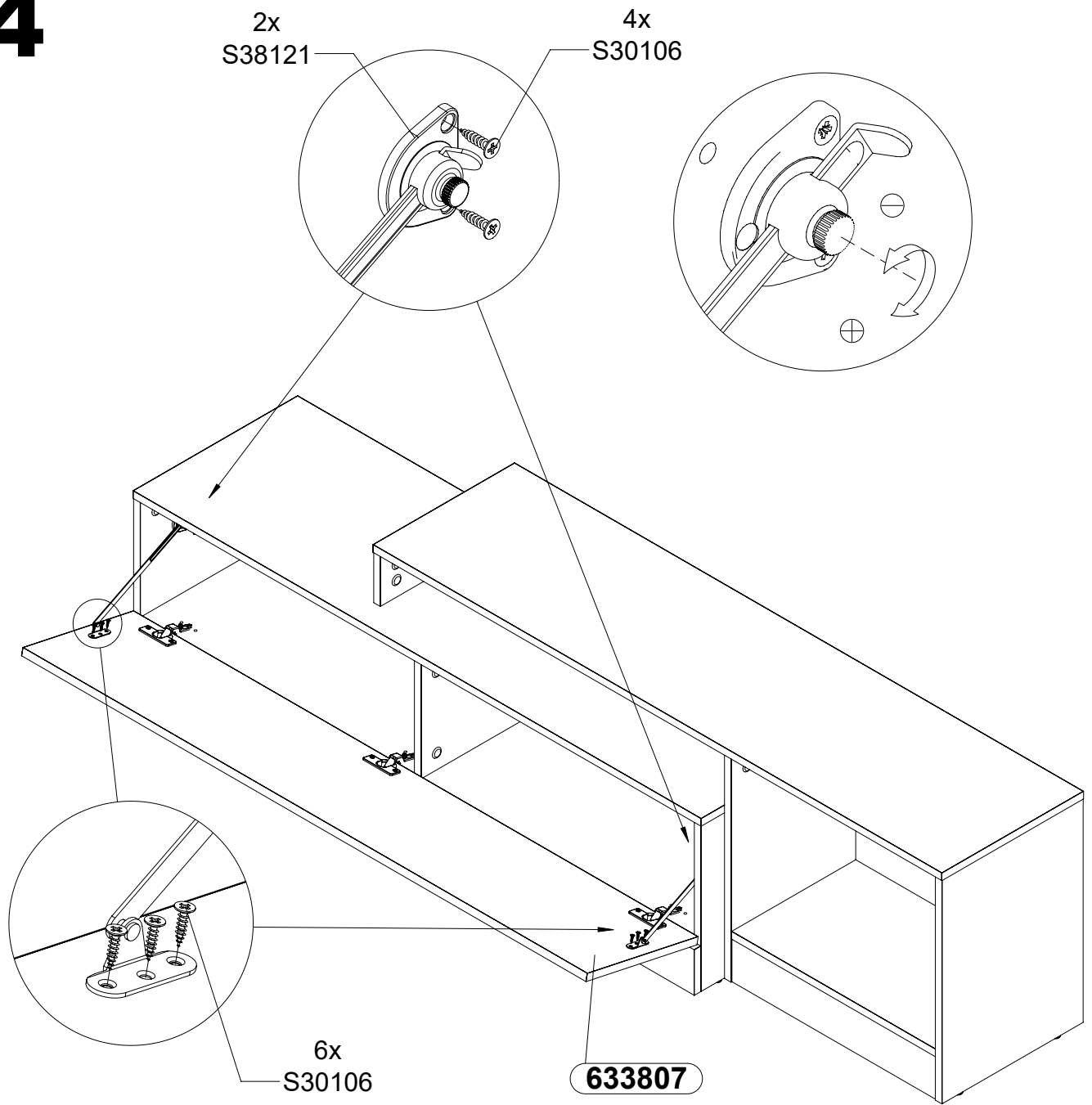


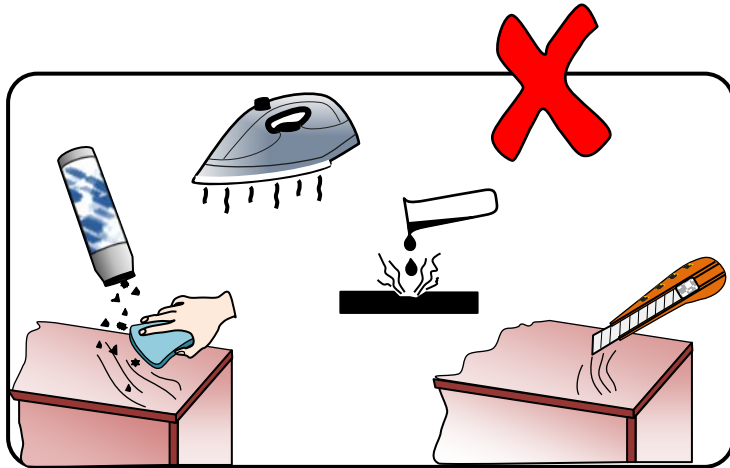
52



53







- EN- GUIDELINES FOR FURNITURE CARE

Please follow the below specified remarks in order to properly take care of your furniture:

A clean dry soft fabric must be used for cleaning. If the furniture requires thorough cleaning, then you can slightly moistened it with water or cleaning agent designed for furniture cleaning, and subsequently the cleaned elements must be wiped until they're dry. Metal and glass parts must be cleaned using commercially available cleaning agents designed for cleaning of this type of materials, in accordance with the included instructions.

Do not use corrosive agents, scouring agents and other agents if their intended use is unknown.

The cleaning agents must have clear marking that they are intended for cleaning furniture.

WARNING!!! High gloss elements, from which the protective foil was removed, may be cleaned and used only after 72 hours.