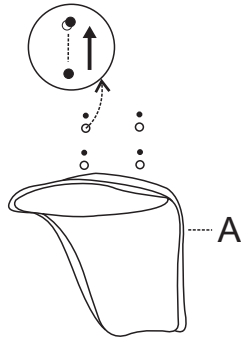
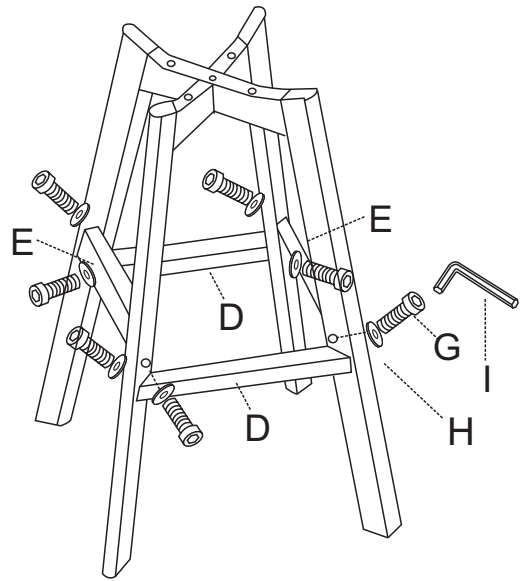


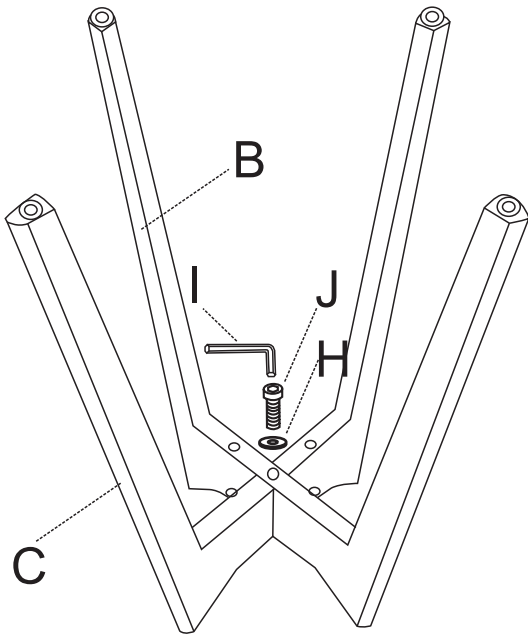
1



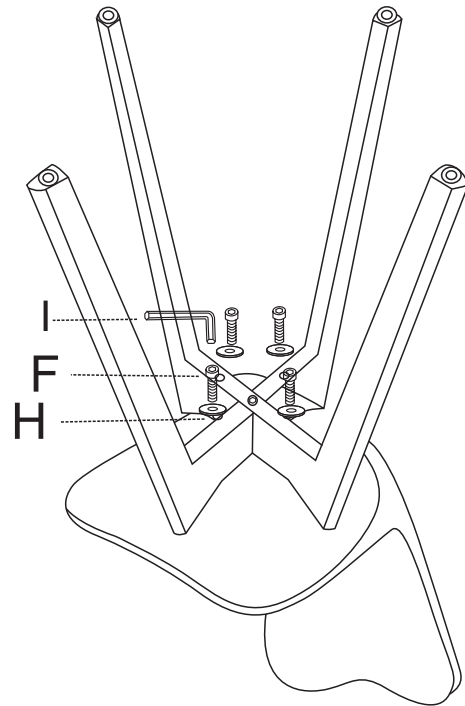
3



2



4



A



X1

B



X1

C



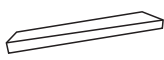
X1

D



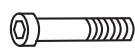
X2

E



X2

F



6*45mm X4

G



6*35mm X8

H



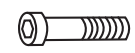
X13

I



X1

J



6*40mm X1