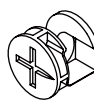
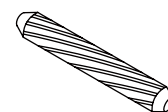


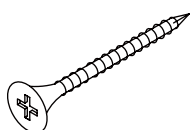
6 x A



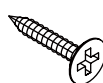
6 x B



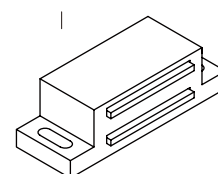
12 x C



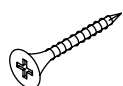
14 x D



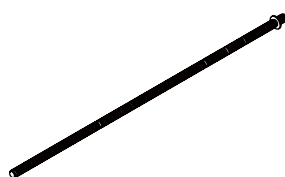
2 x E



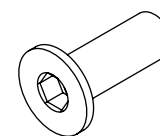
1 x F



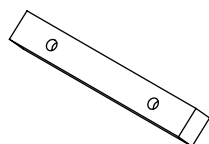
10 x G



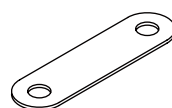
1 x H



1 x I



1 x J



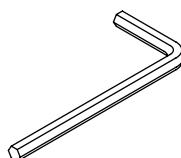
1 x K



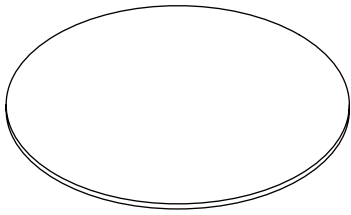
2 x L



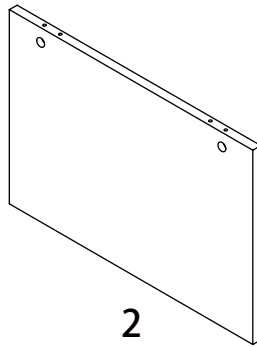
6 x M



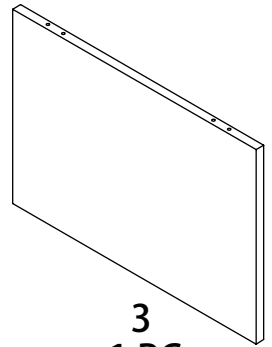
1 x O



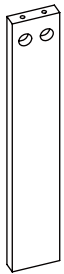
1
1 PC



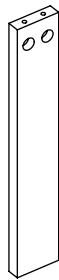
2
1 PC



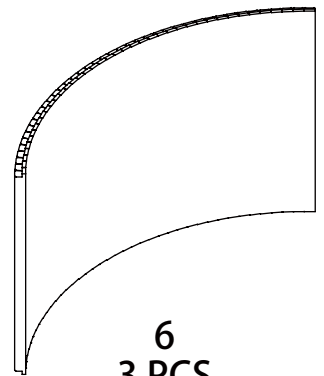
3
1 PC



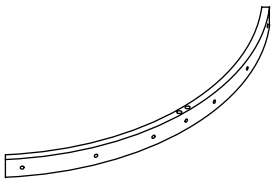
4
1 PC



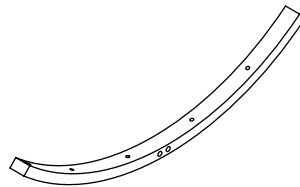
5
1 PC



6
3 PCS



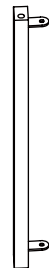
7
1 PC



8
1 PC



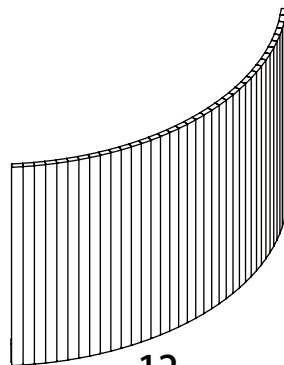
9
1 PC



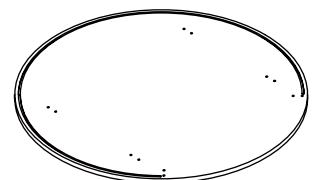
10
1 PC



11
1 PC

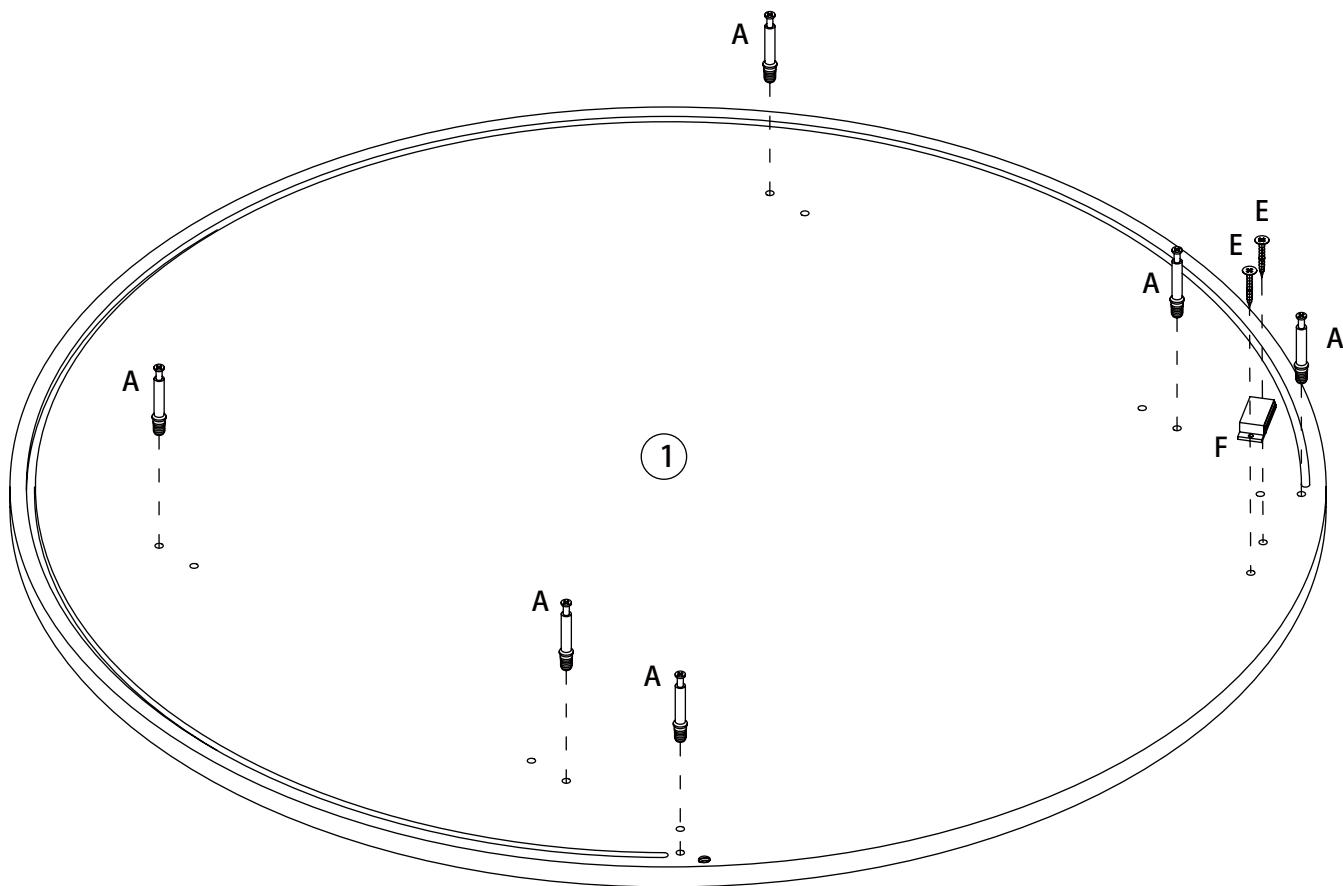


12
1 PC

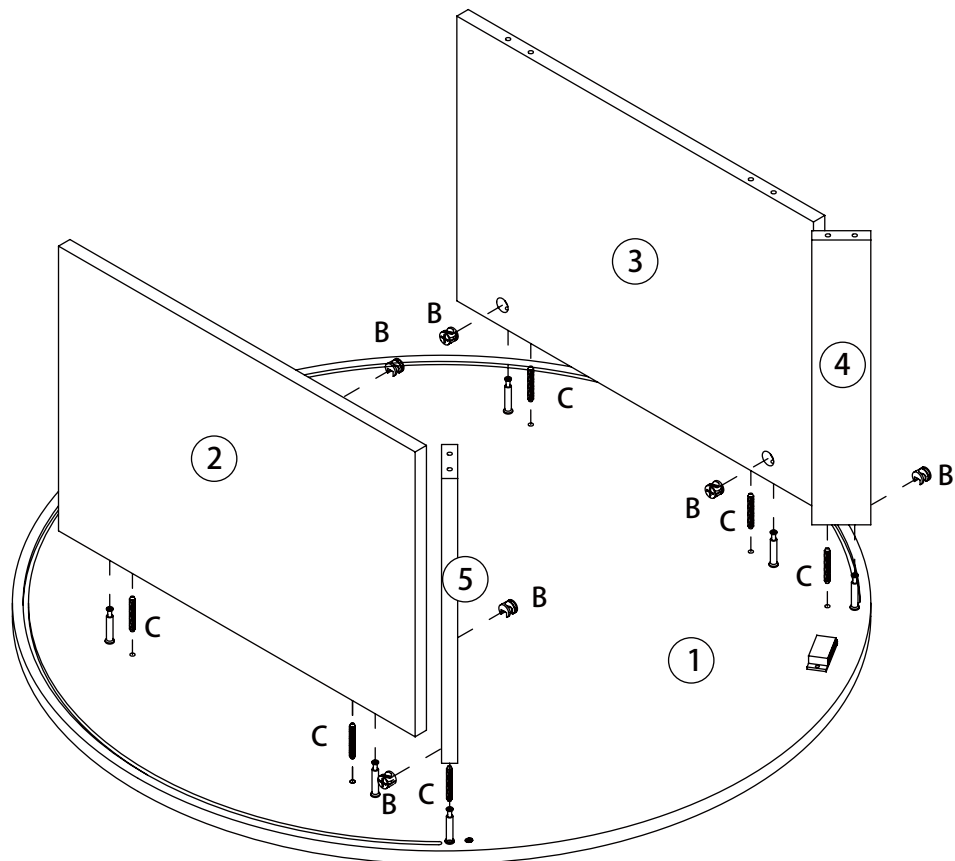


13
1 PC

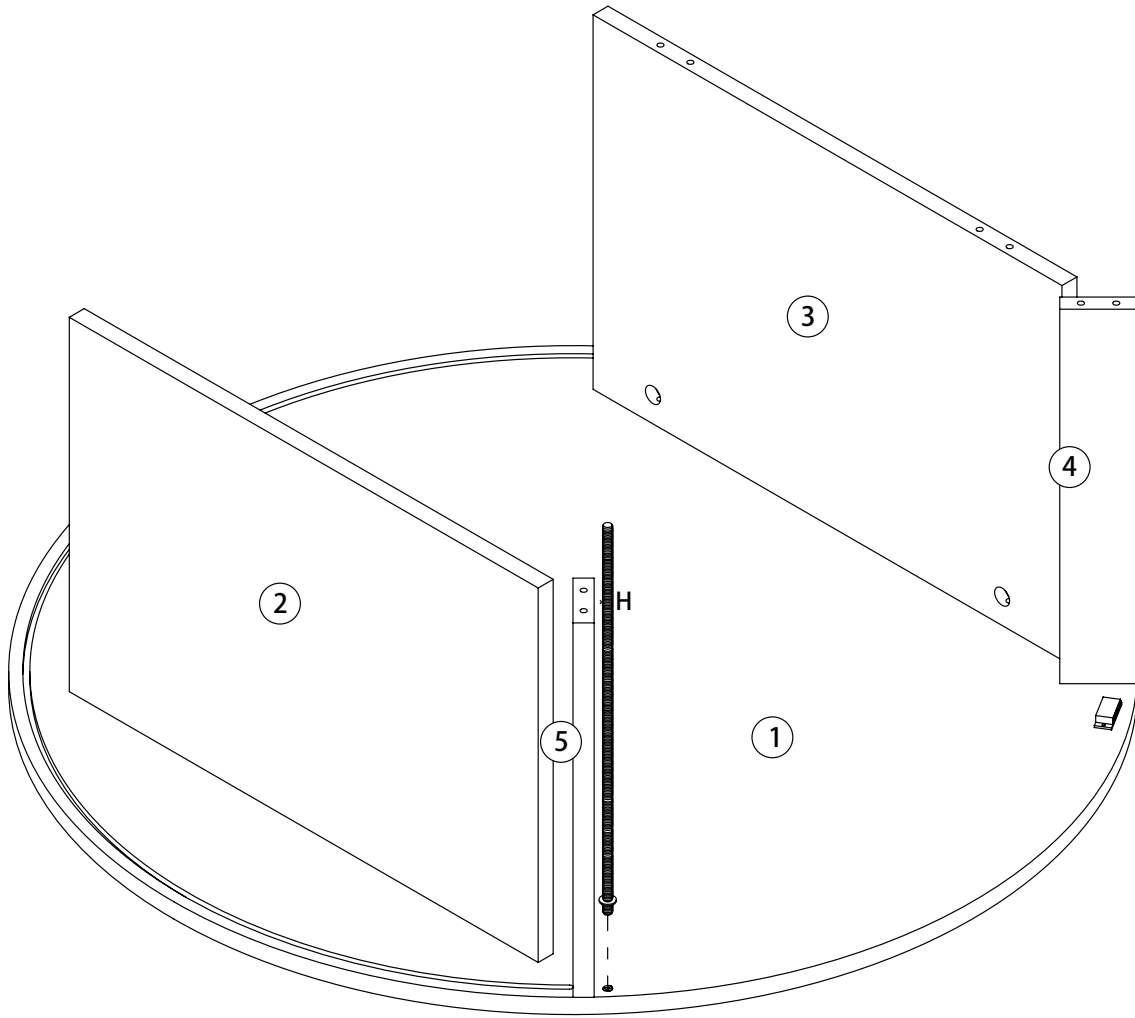
1



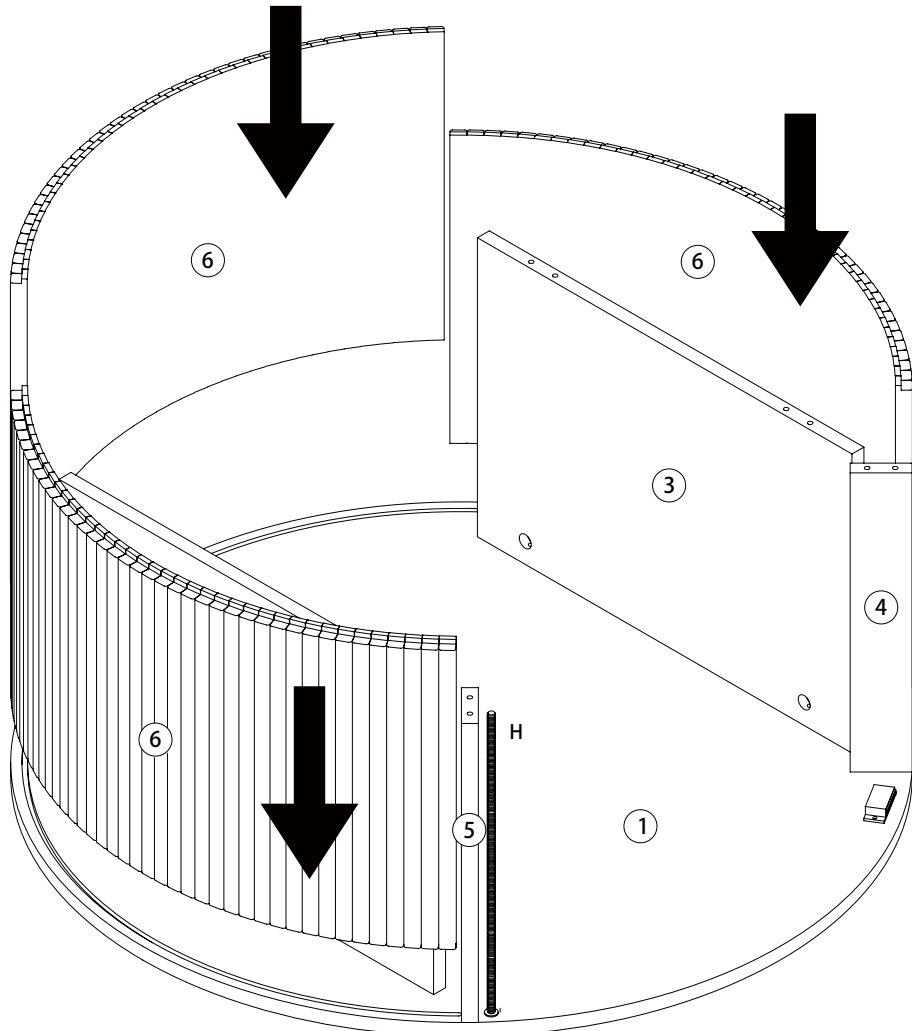
2



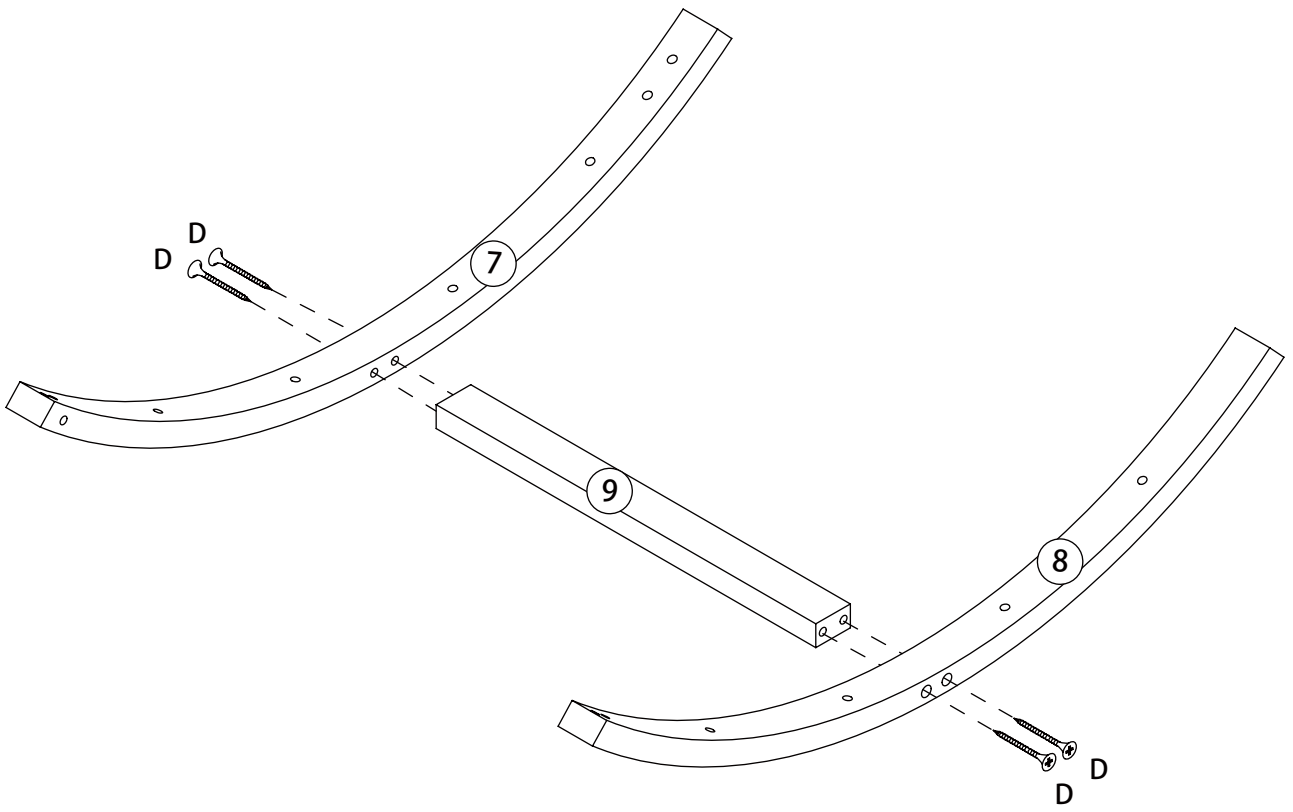
3



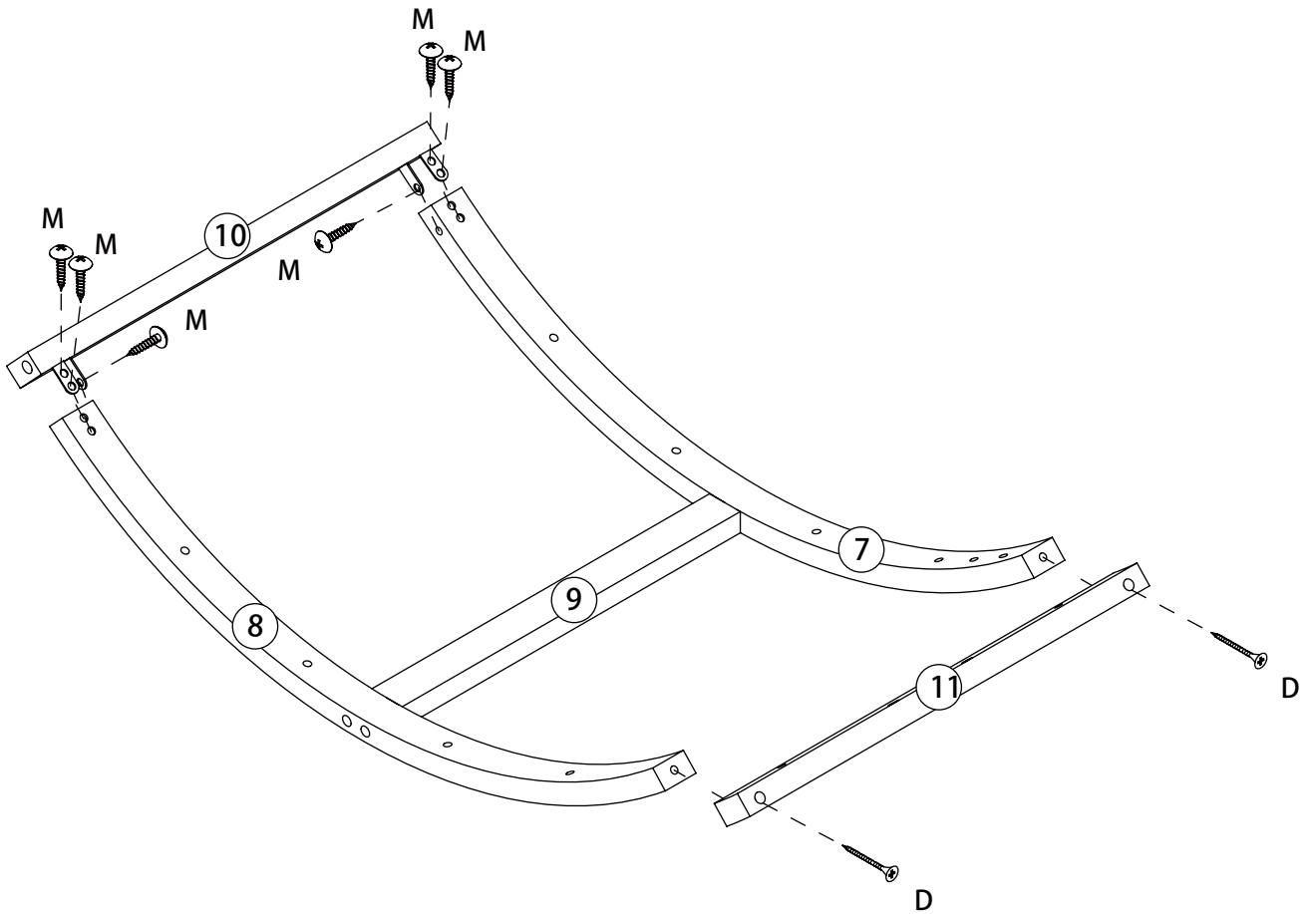
4



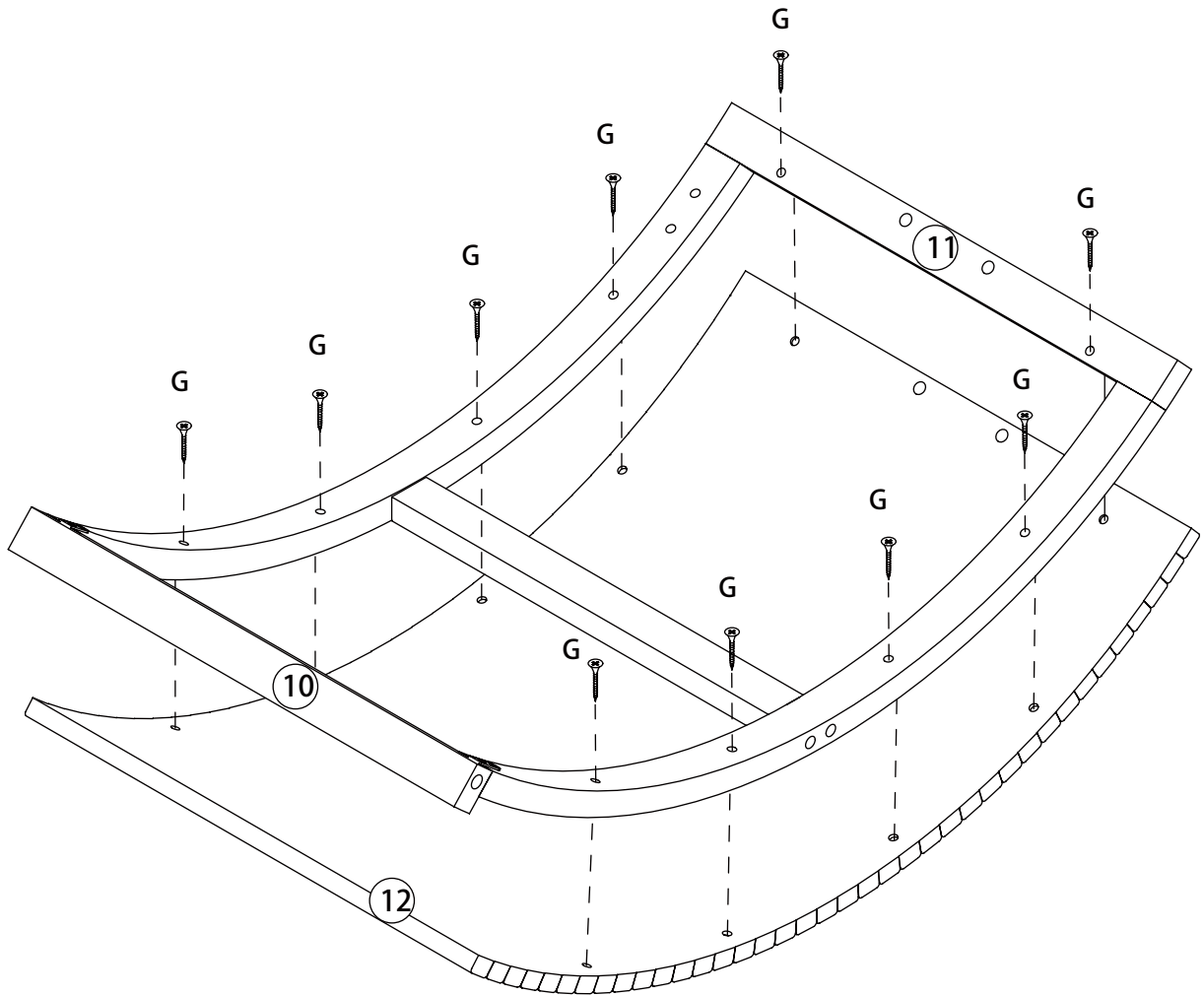
5



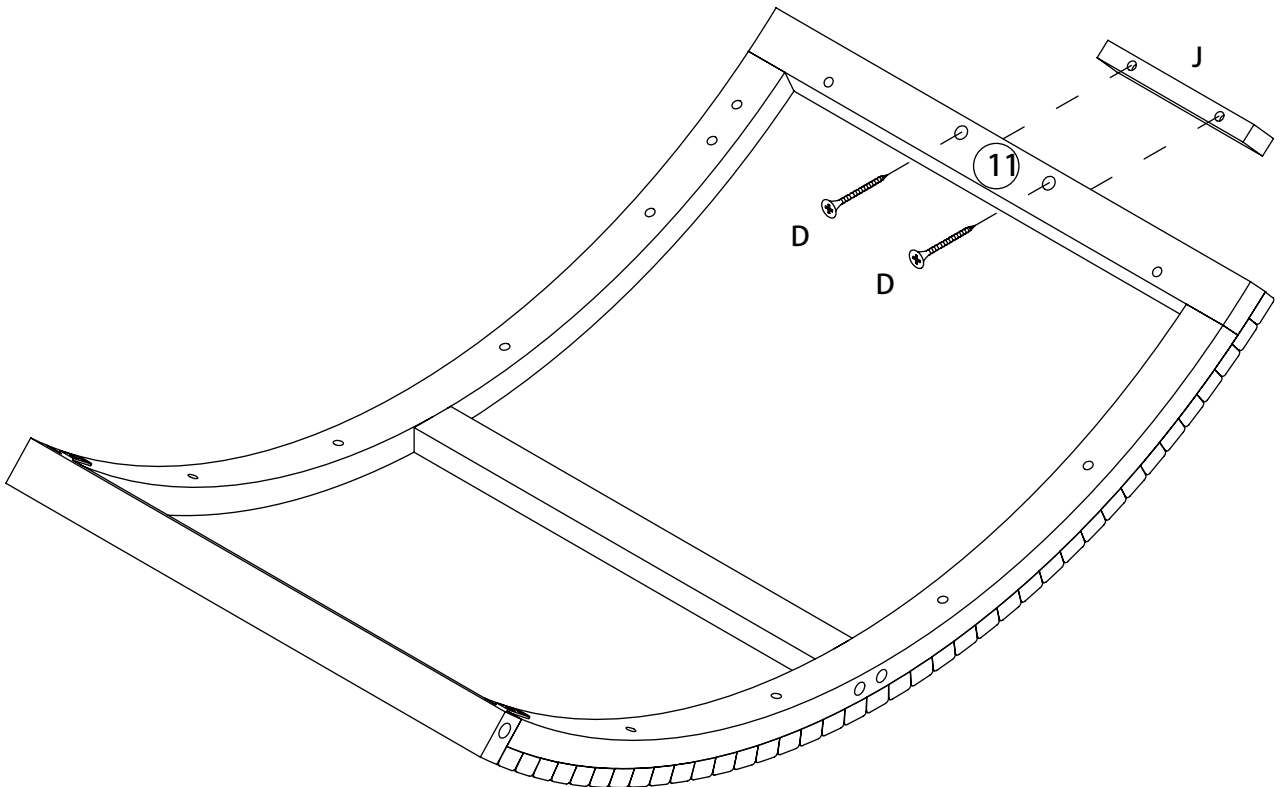
6



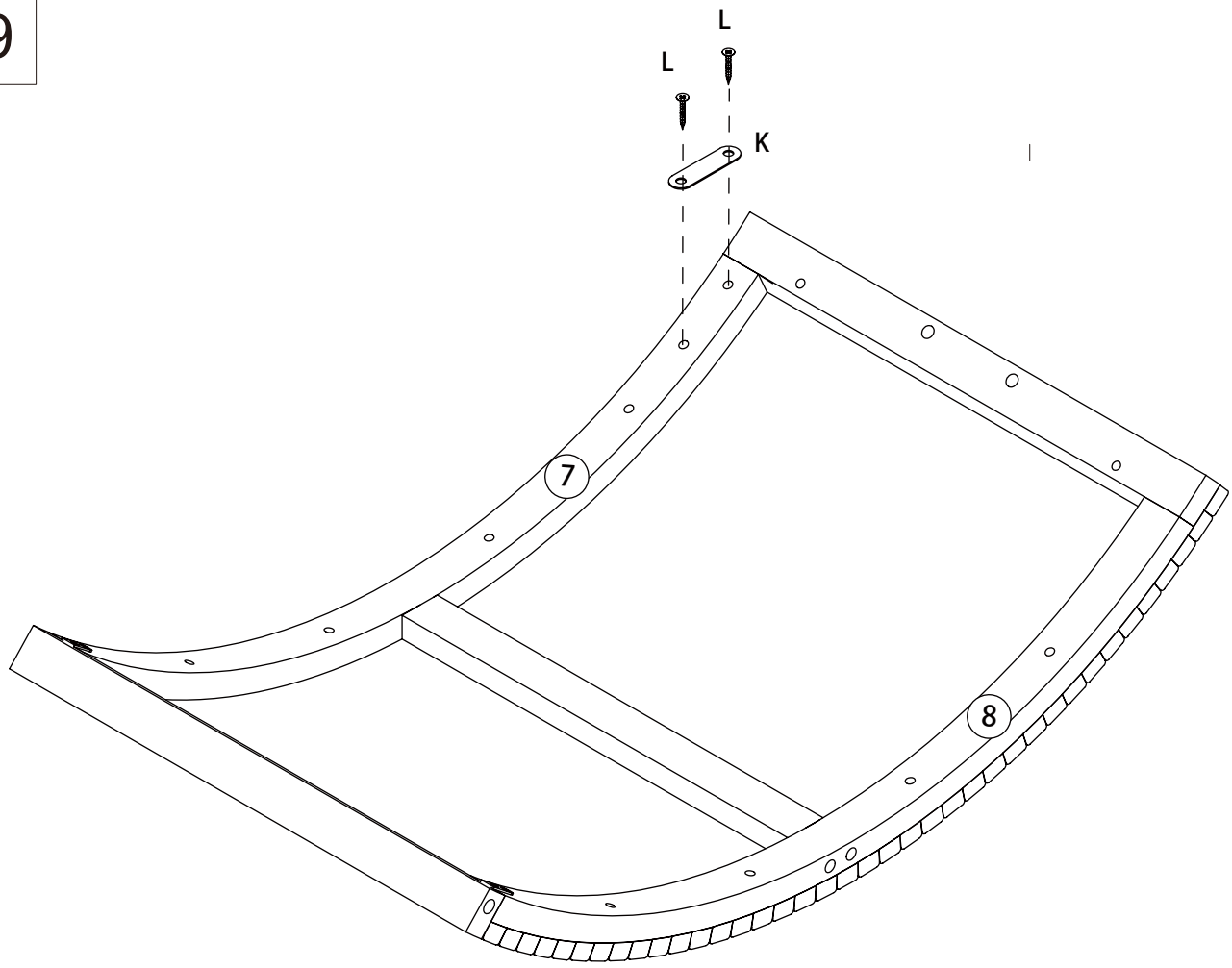
7



8



9



10

