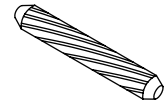


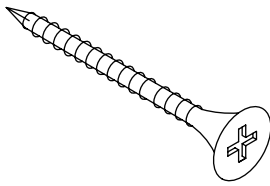
54 x A



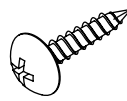
54 x B



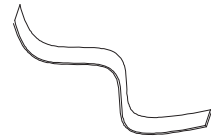
24 x C



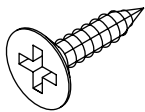
44 x D



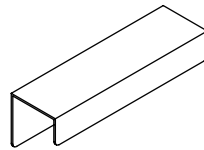
22 x E



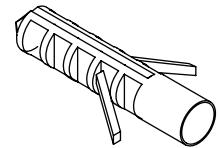
2 x F



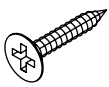
60 x G



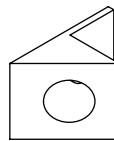
6 x H



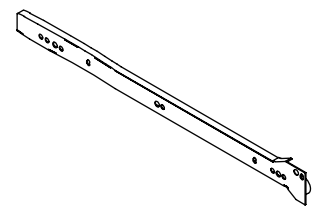
2 x I



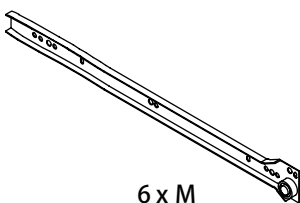
16 x J



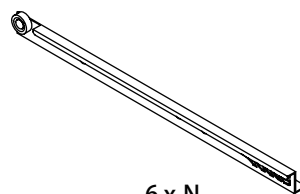
16 x K



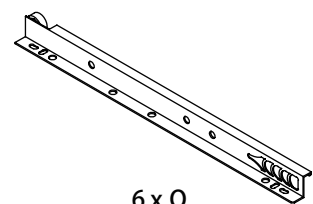
6 x L



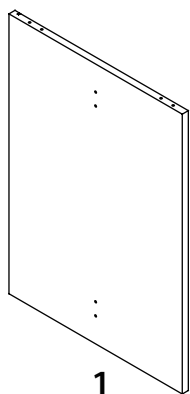
6 x M



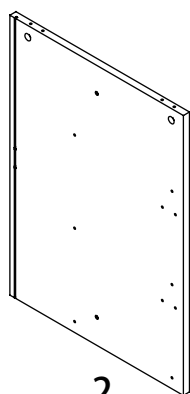
6 x N



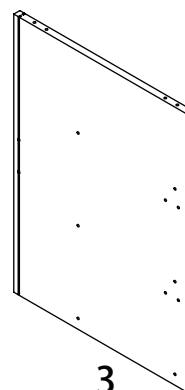
6 x O



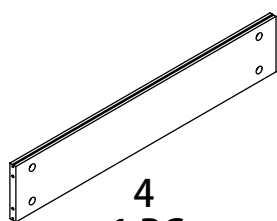
1
1 PC



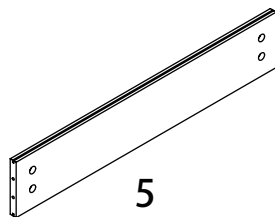
2
1 PC



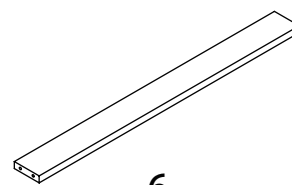
3
1 PC



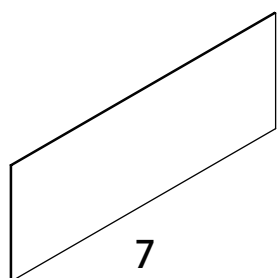
4
1 PC



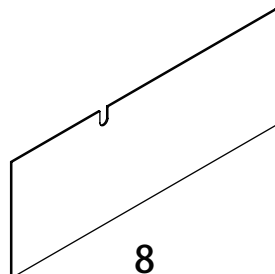
5
1 PC



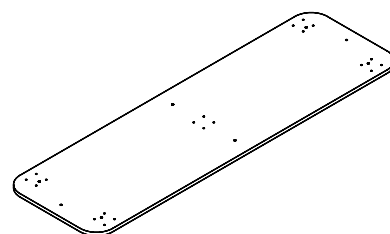
6
4 PCS



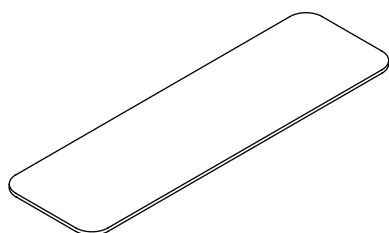
7
2 PCS



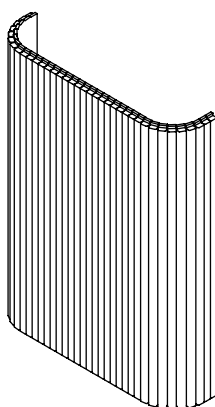
8
2 PCS



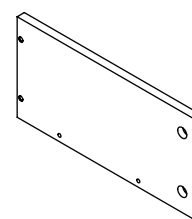
9
1 PC



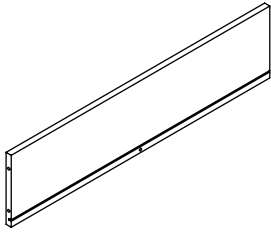
10
1 PC



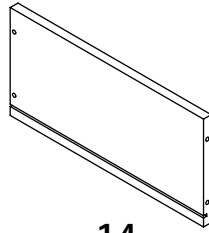
11
2 PCS



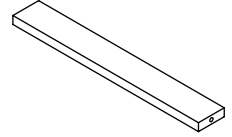
12
6 PCS



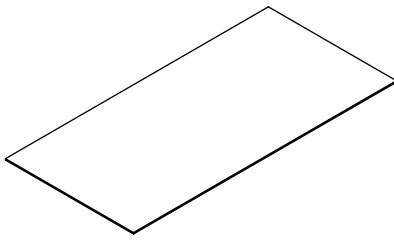
13
6 PCS



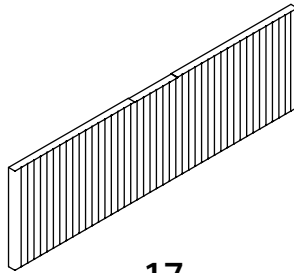
14
6 PCS



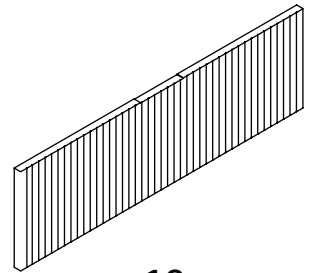
15
6 PCS



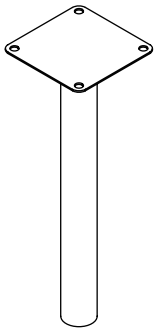
16
6 PCS



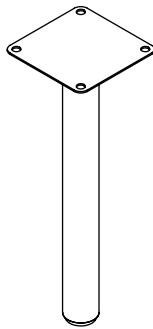
17
3 PCS



18
3 PCS



19
4 PCS



20
1 PC

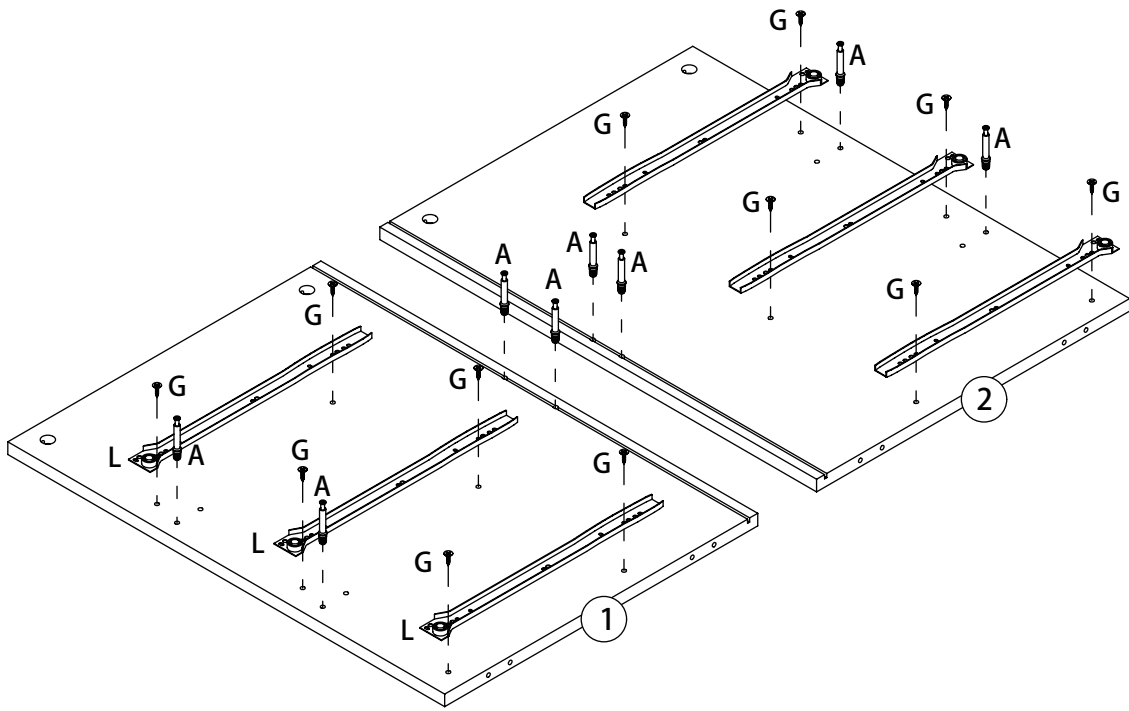


21
1 PC

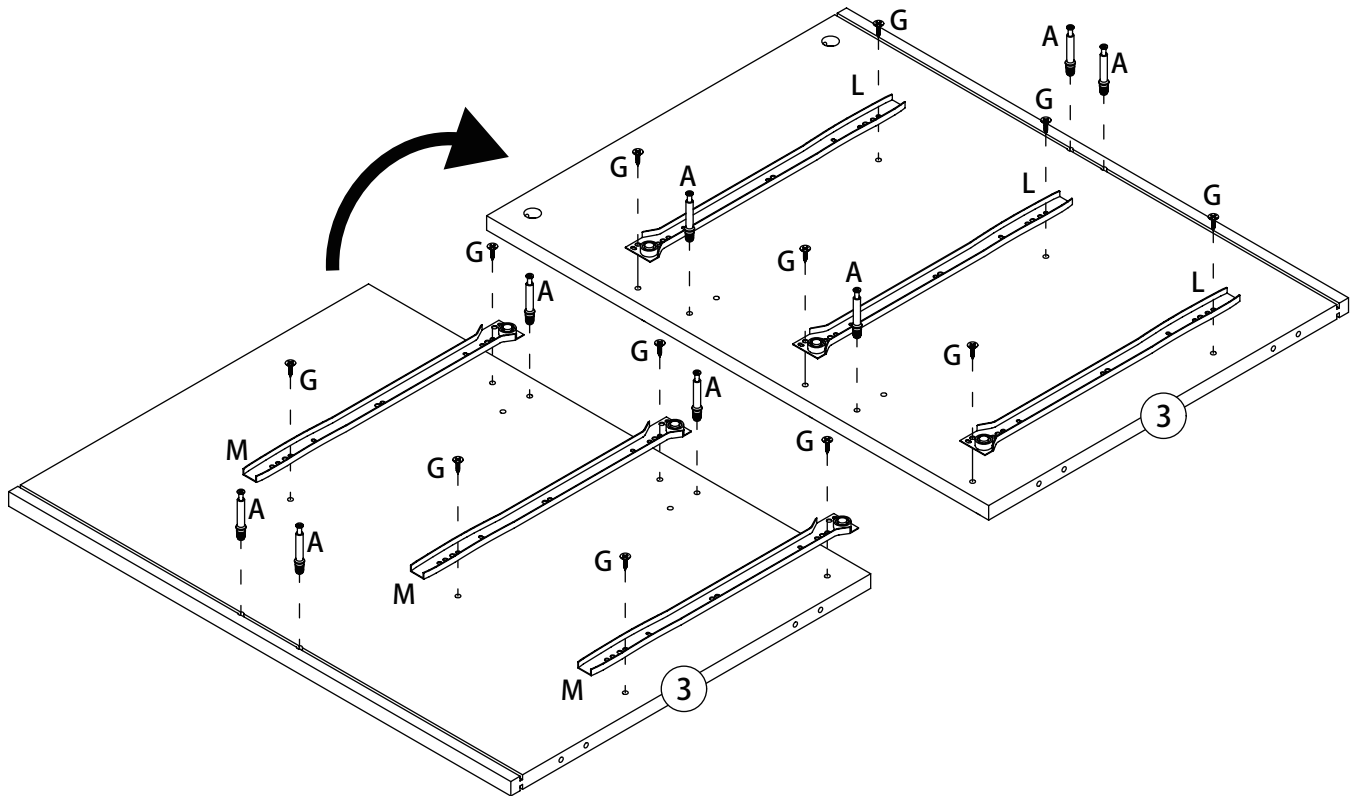


22
1 PC

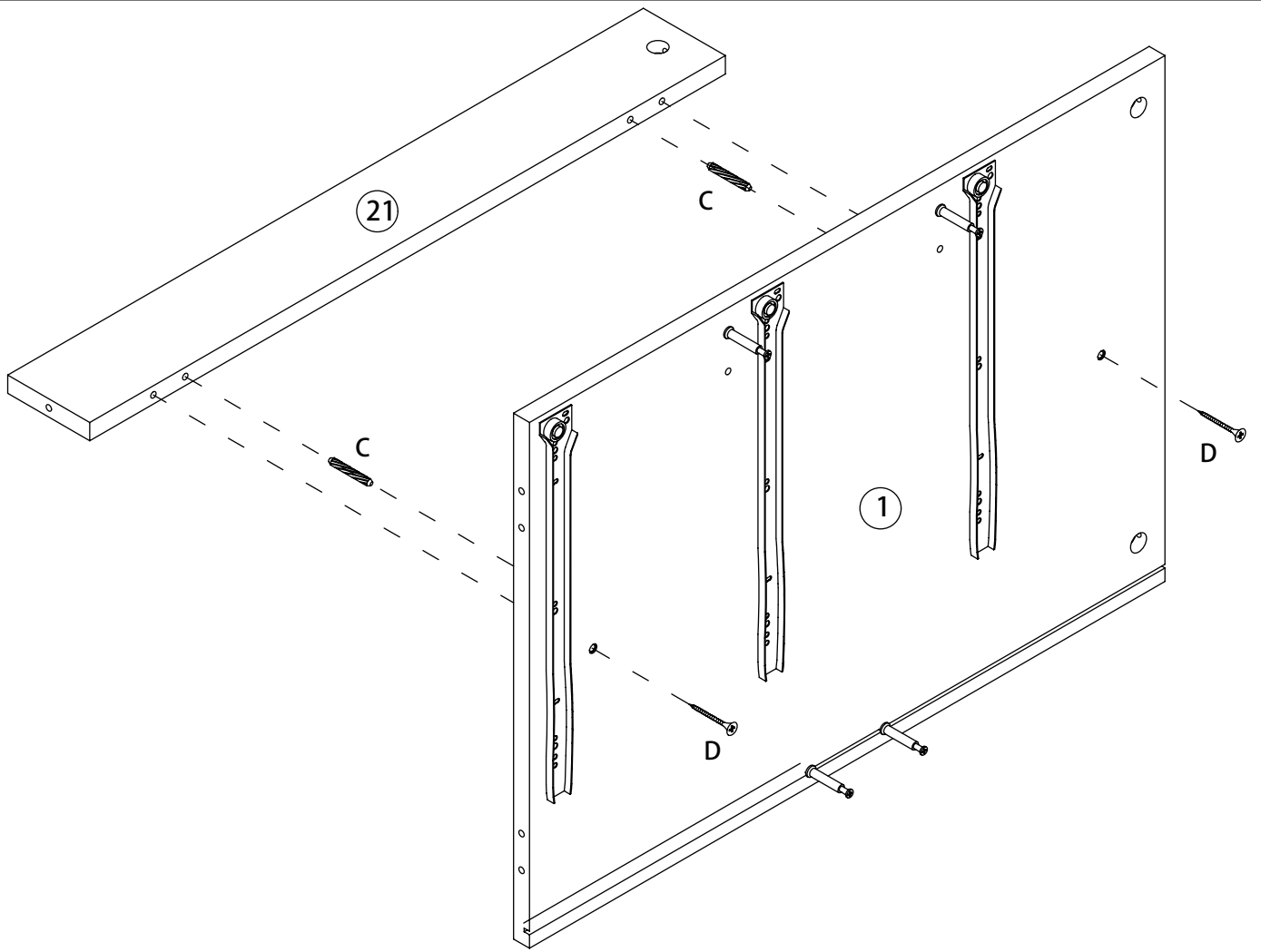
1



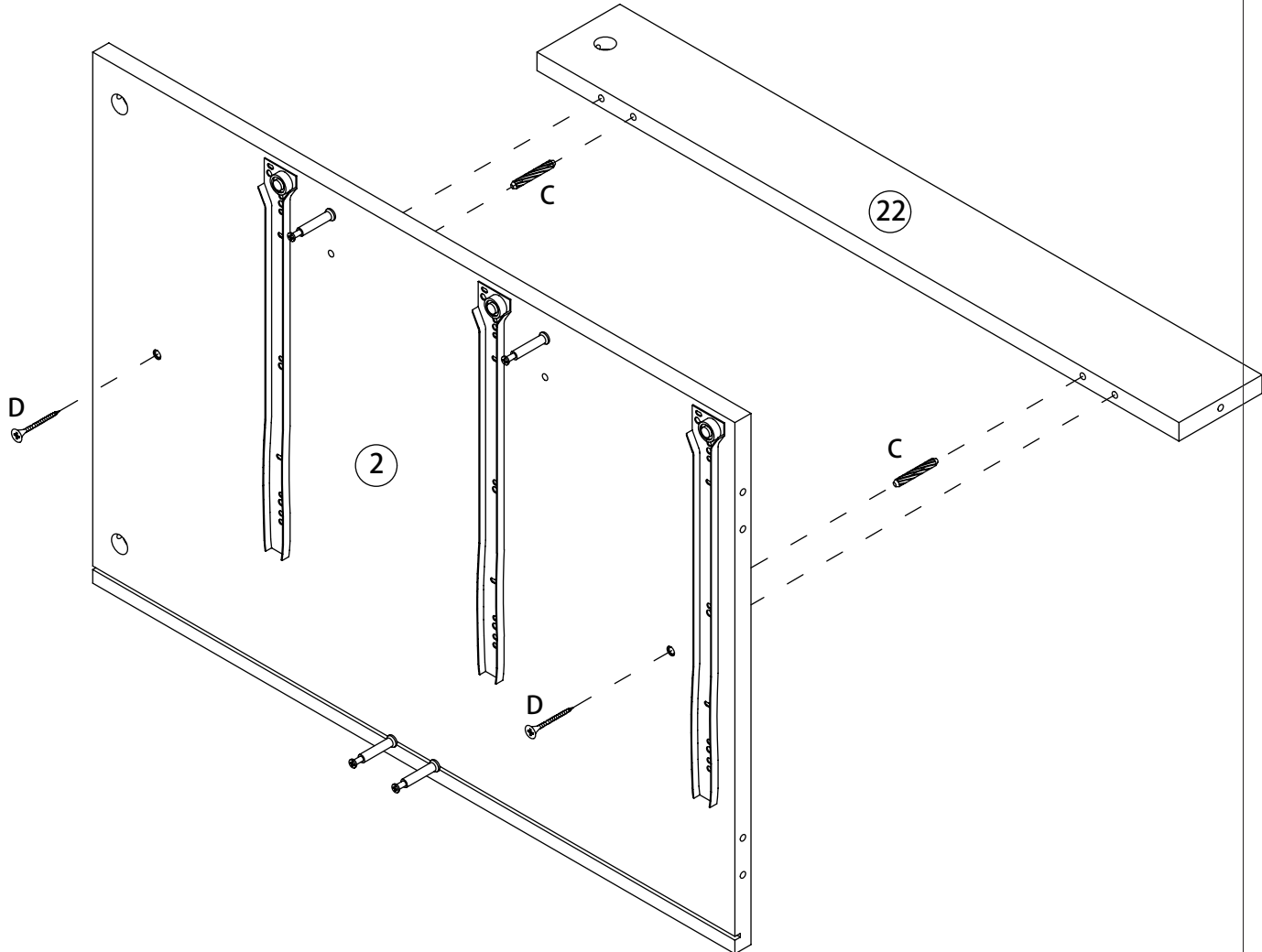
2



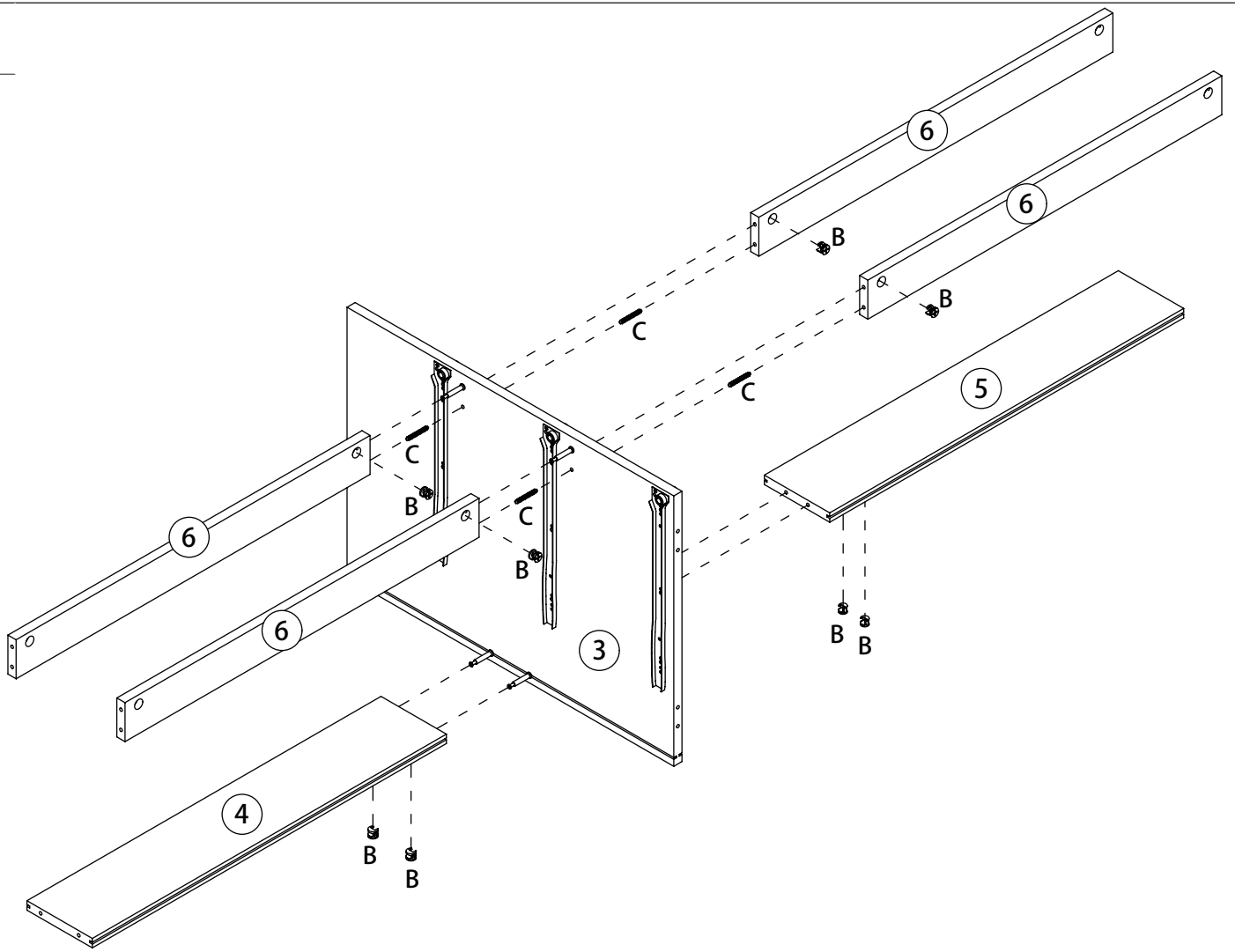
3



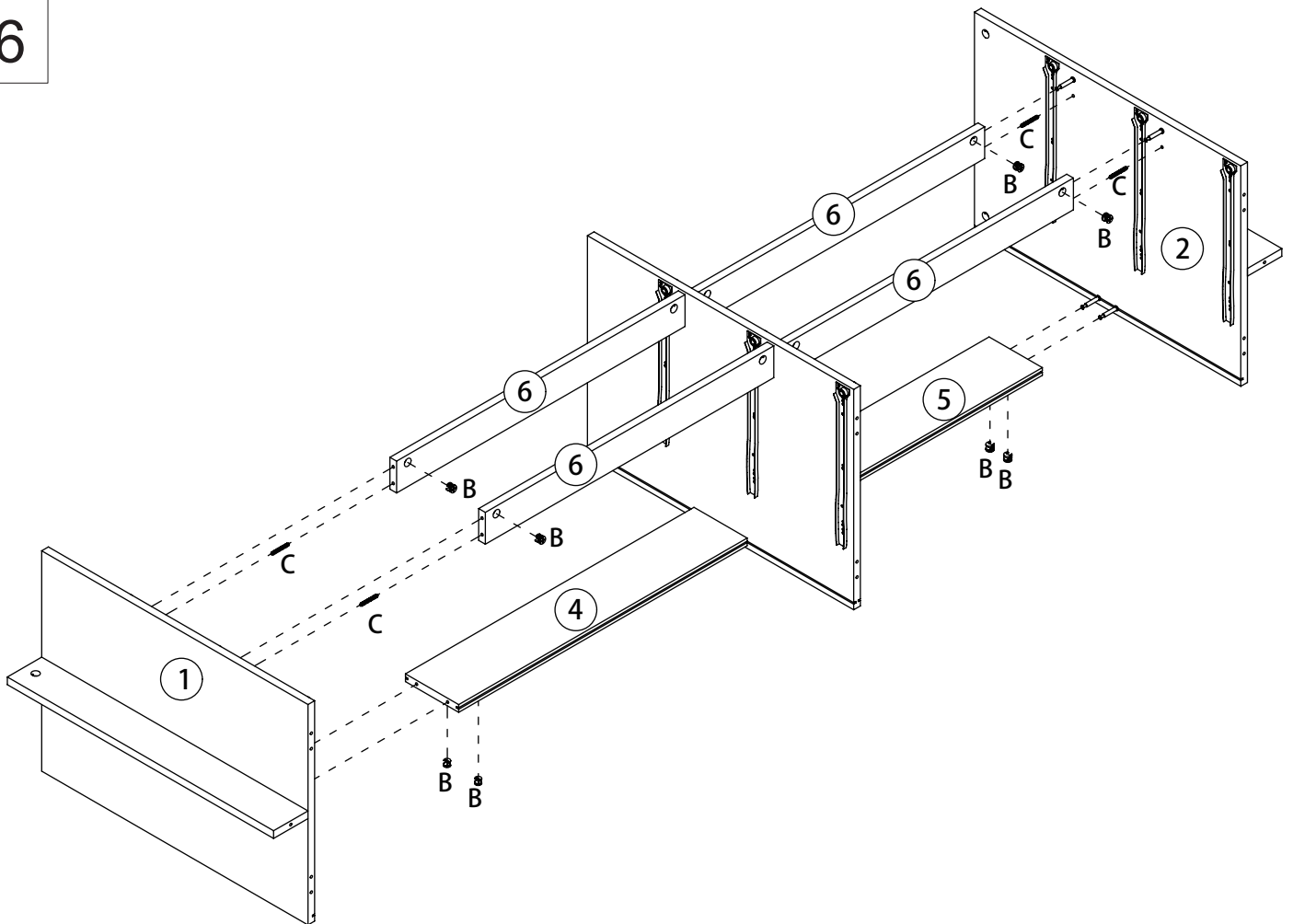
4



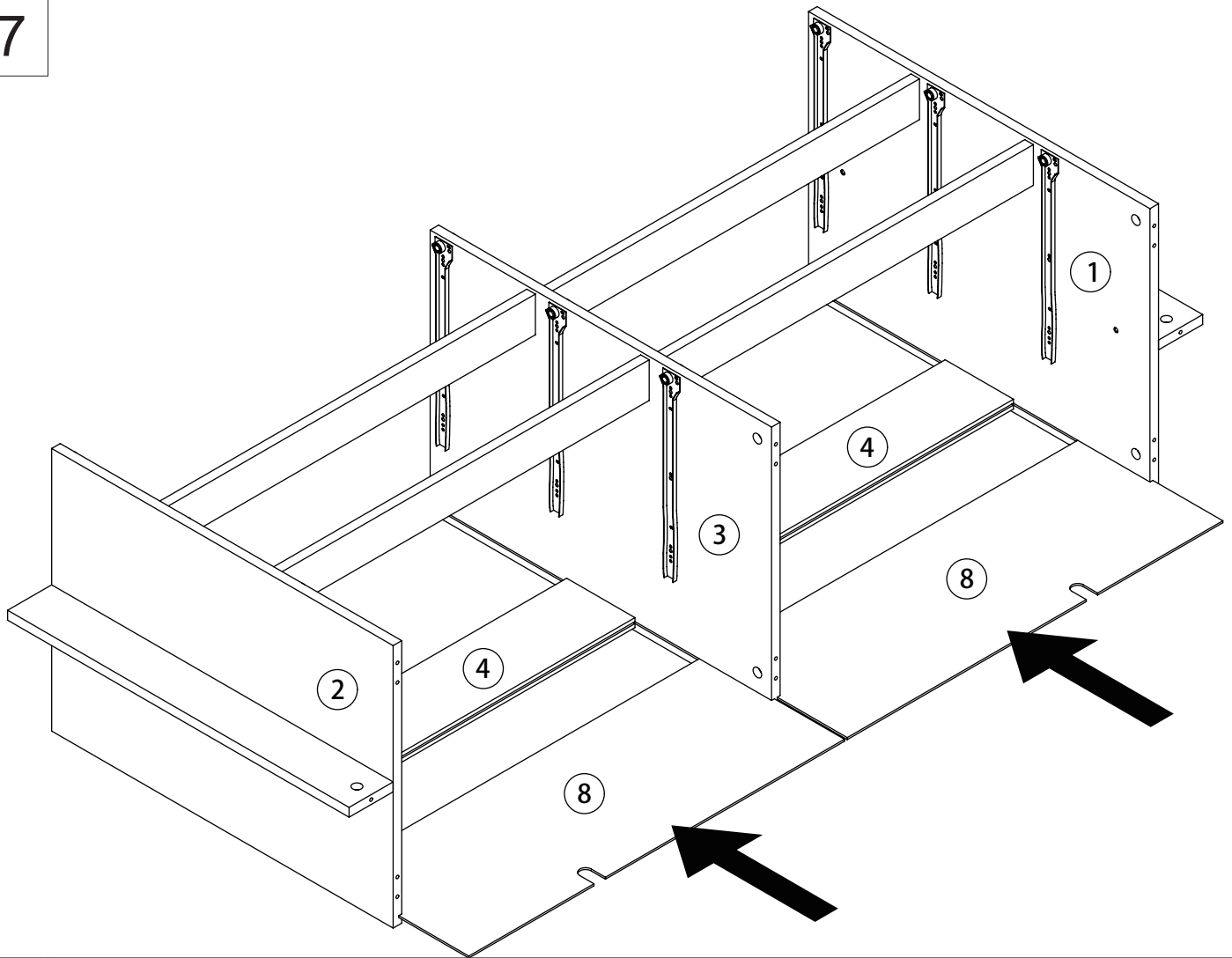
5



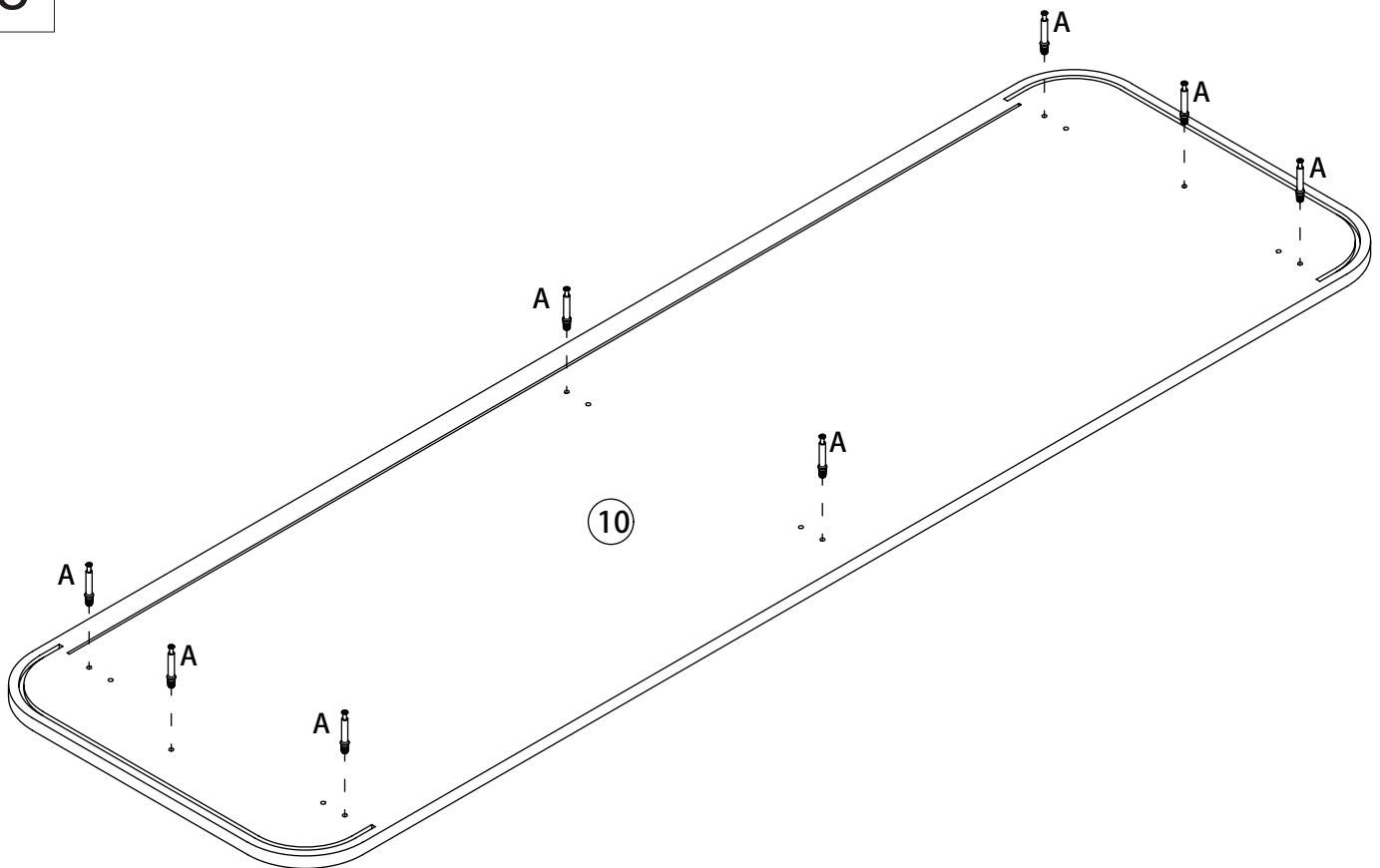
6

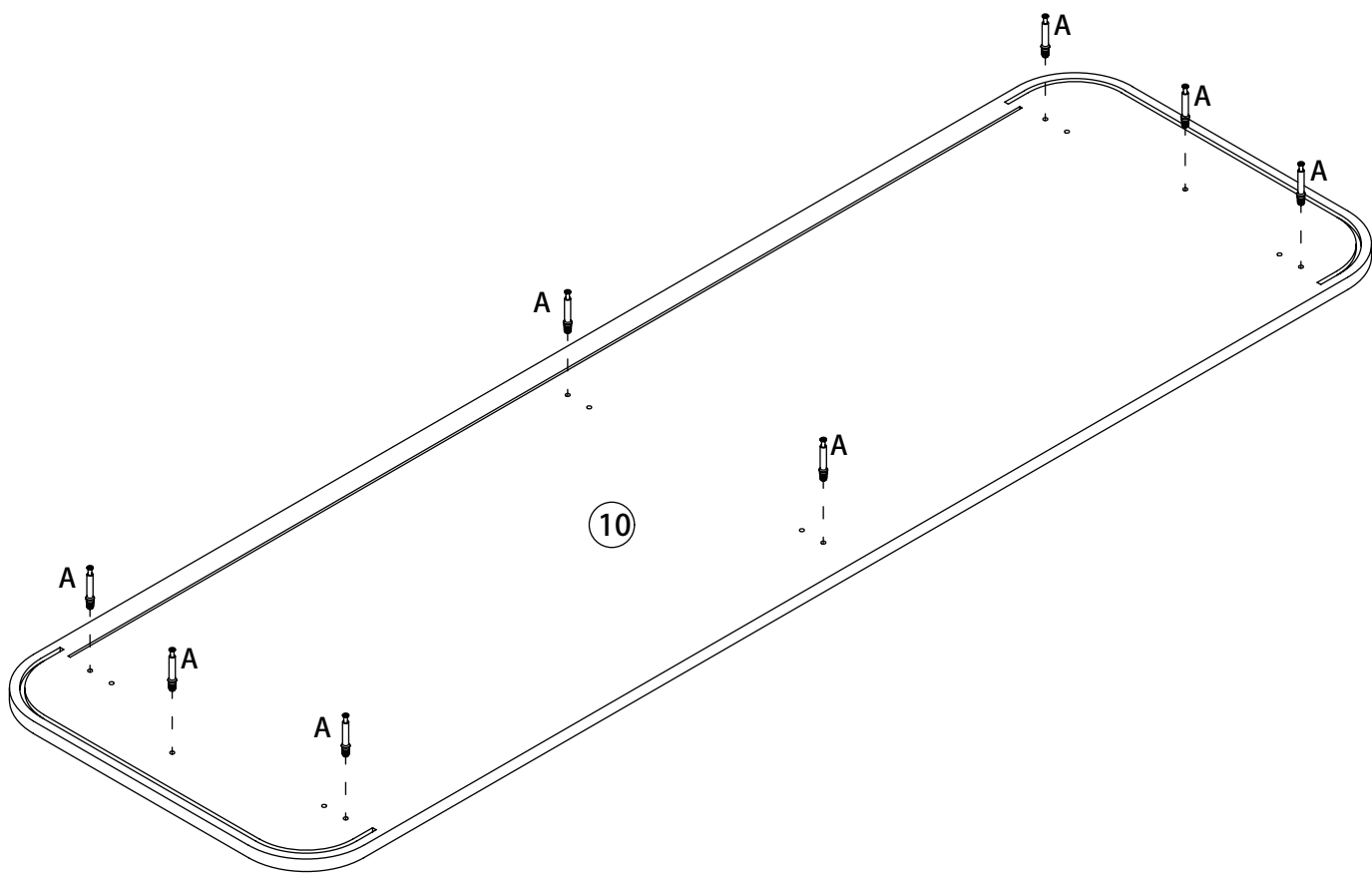


7

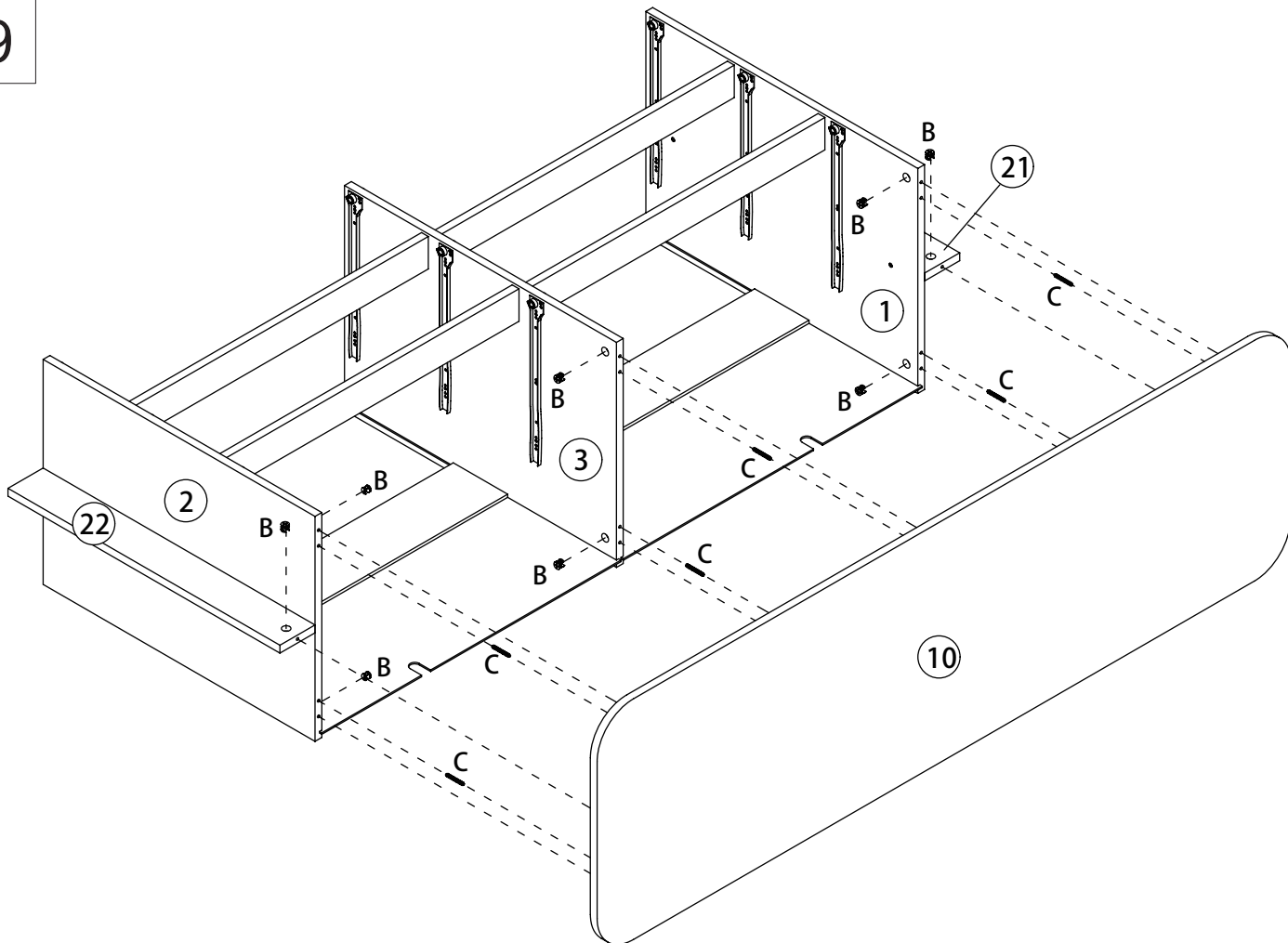


8

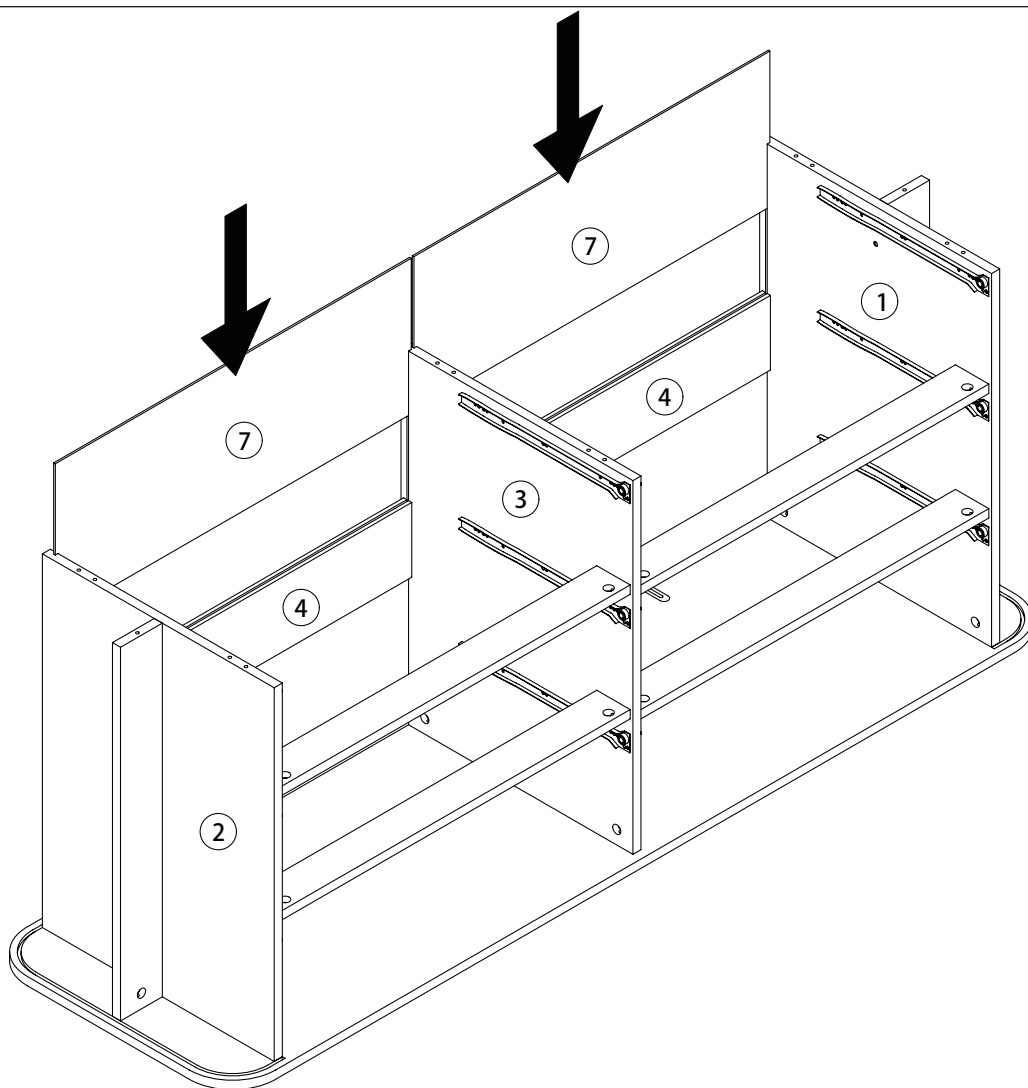




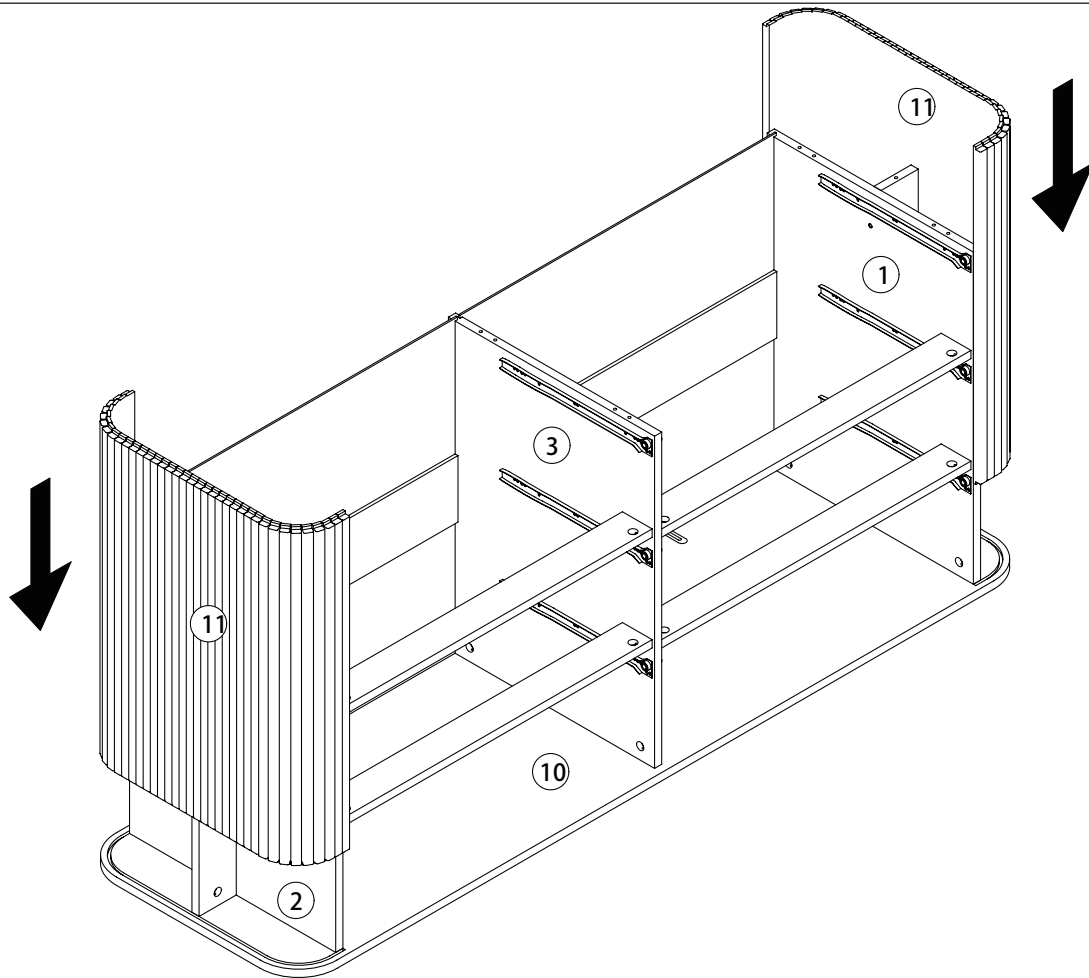
9



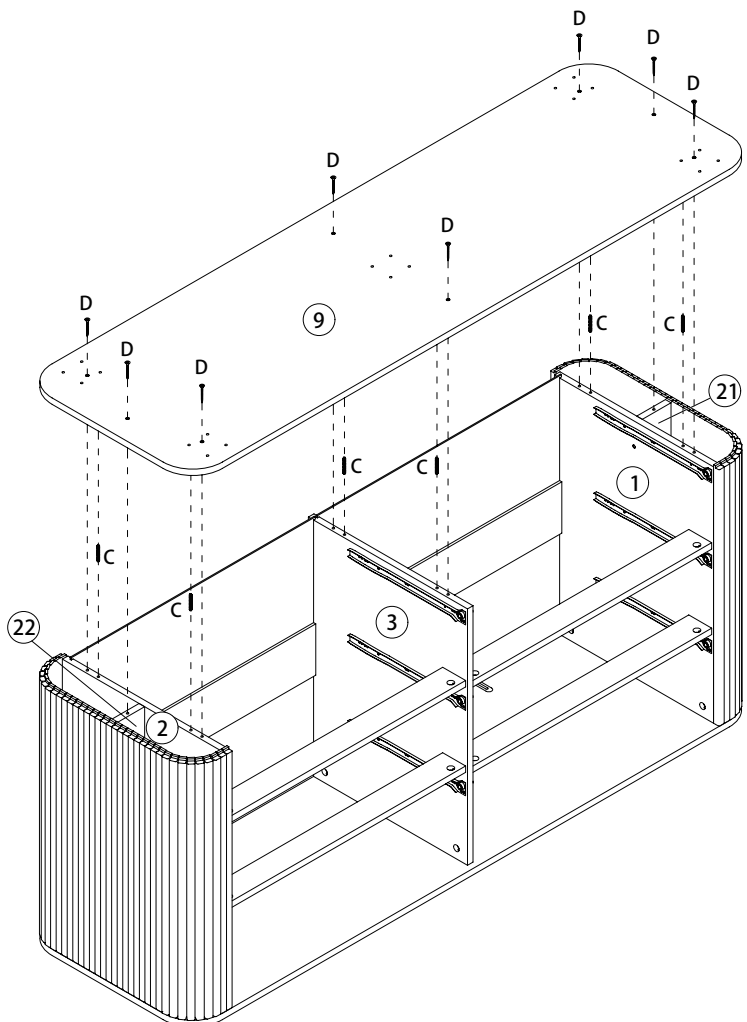
10



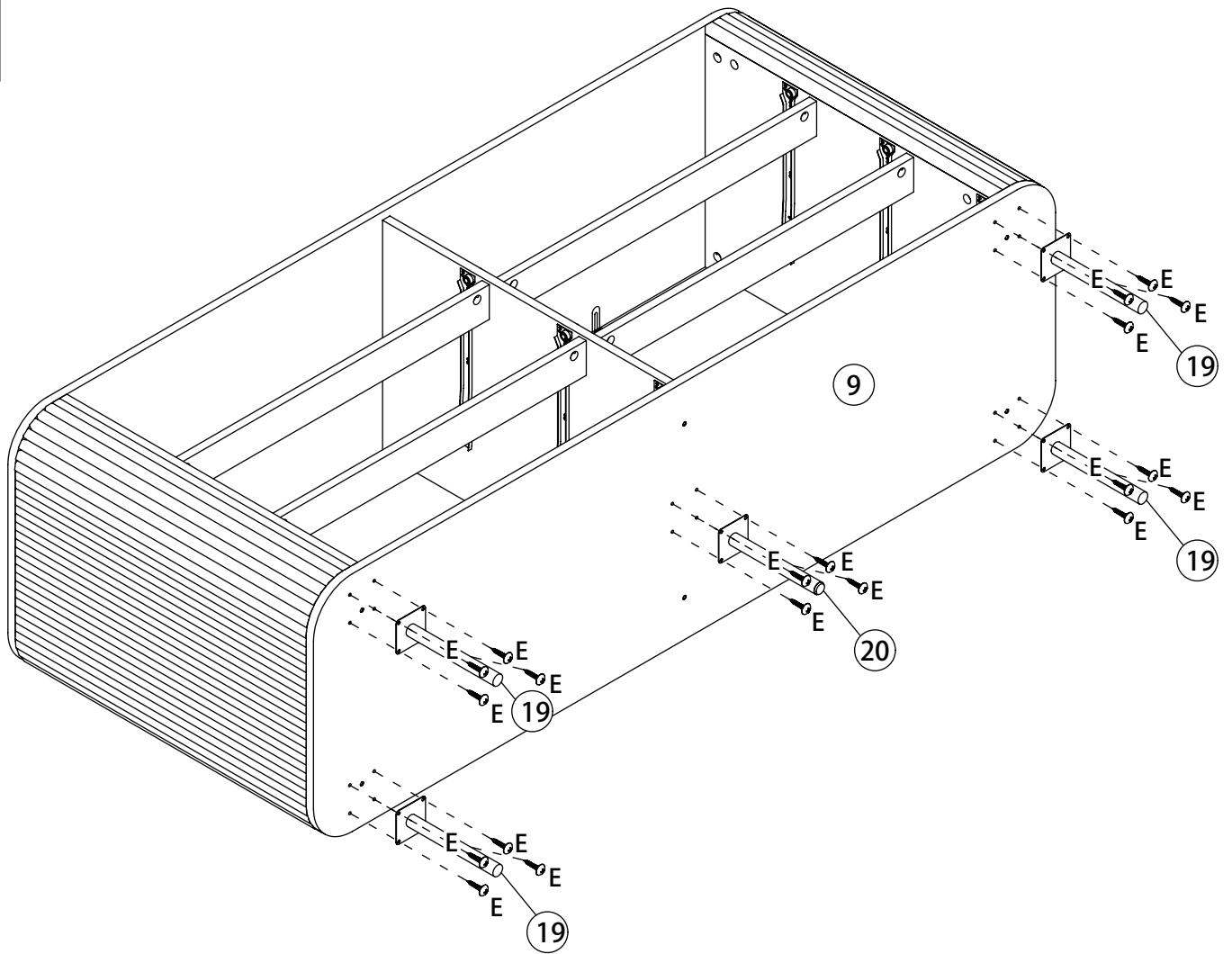
11



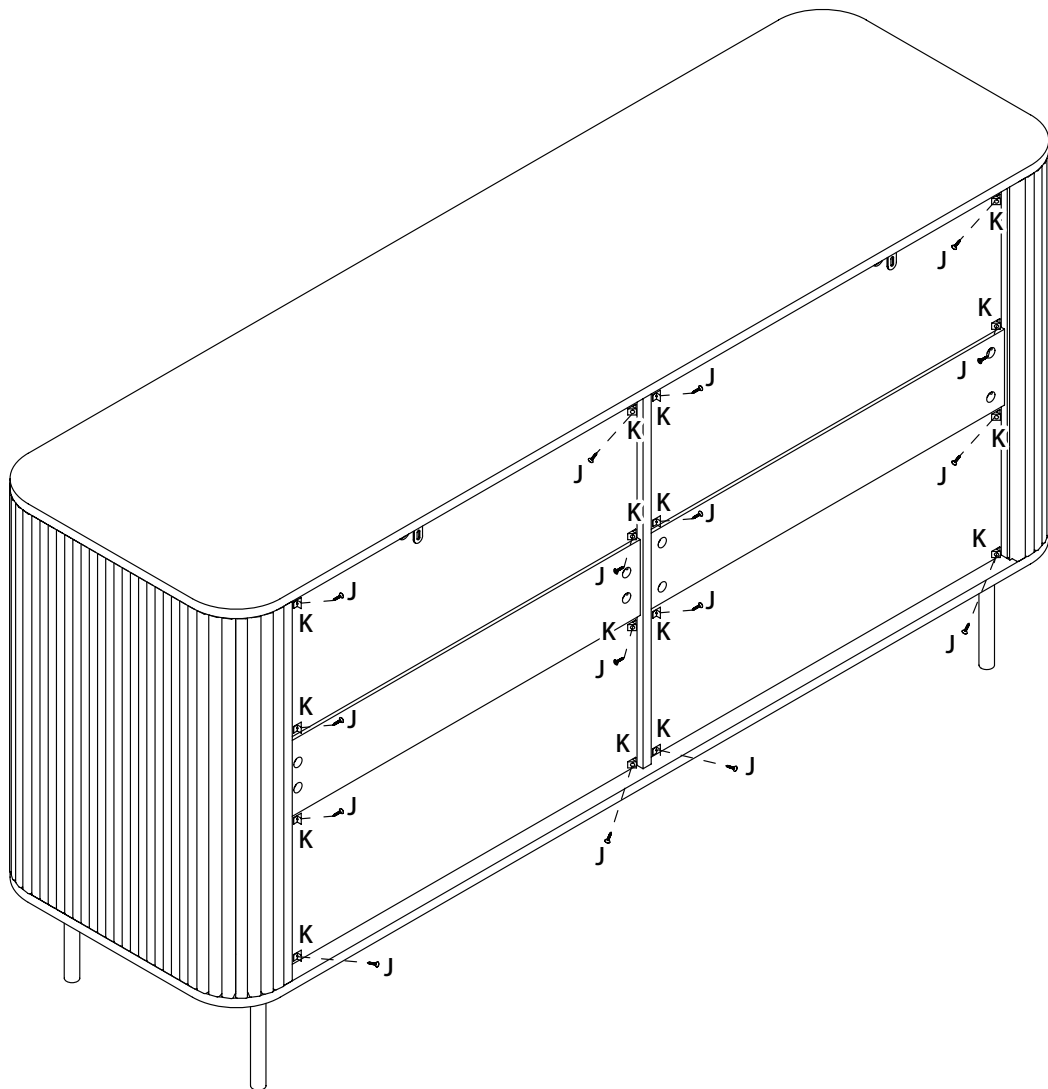
12



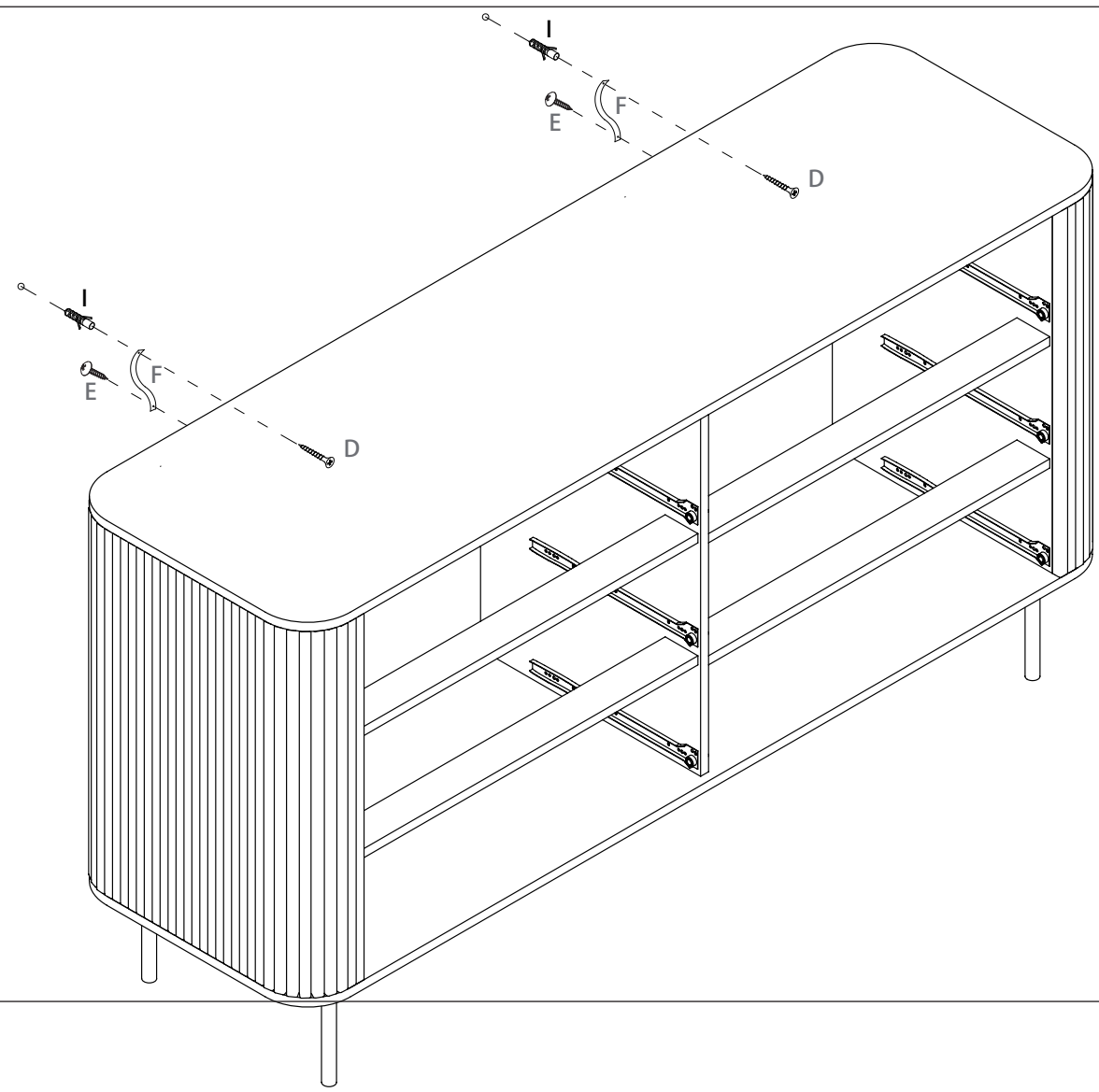
13



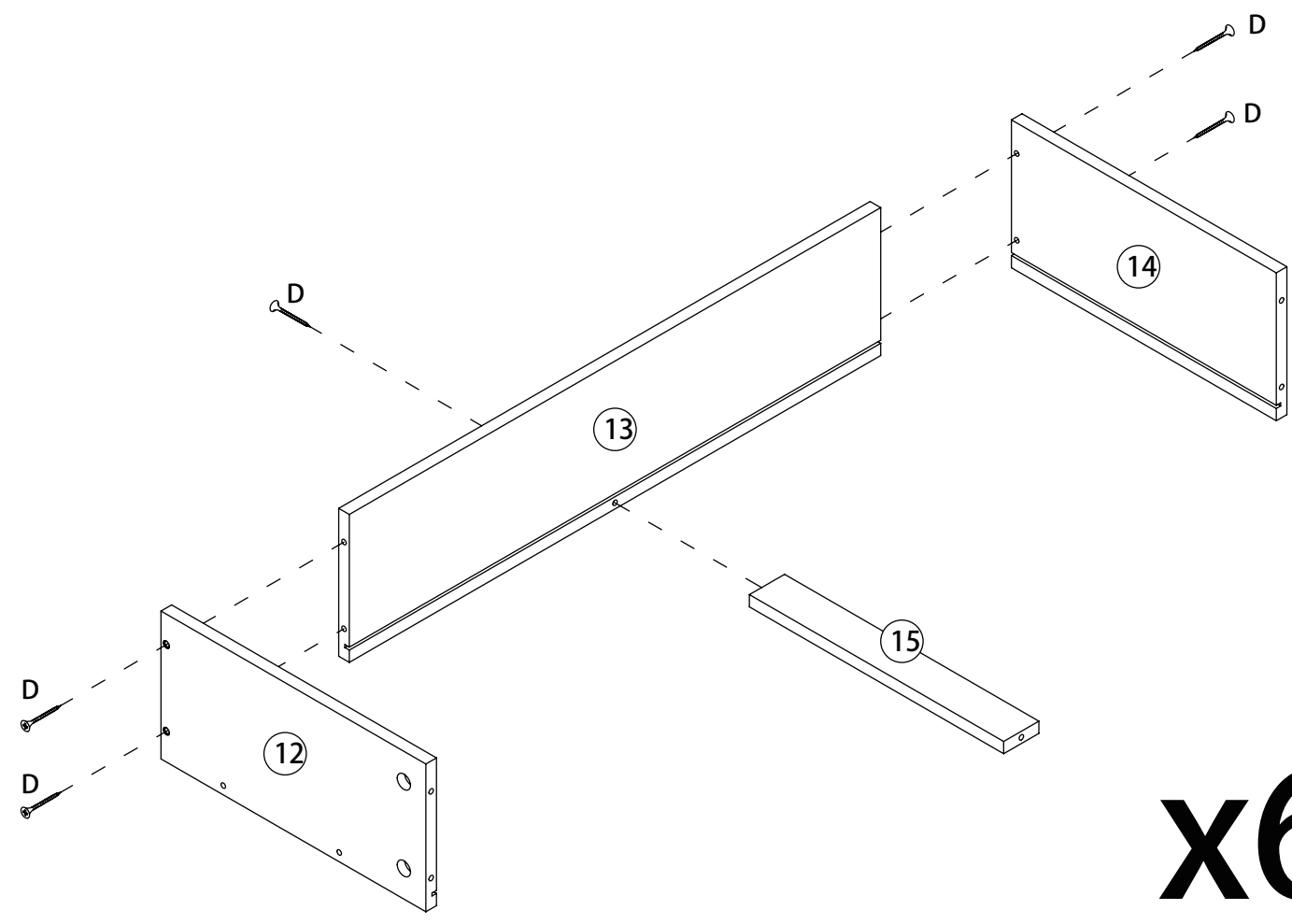
14



15

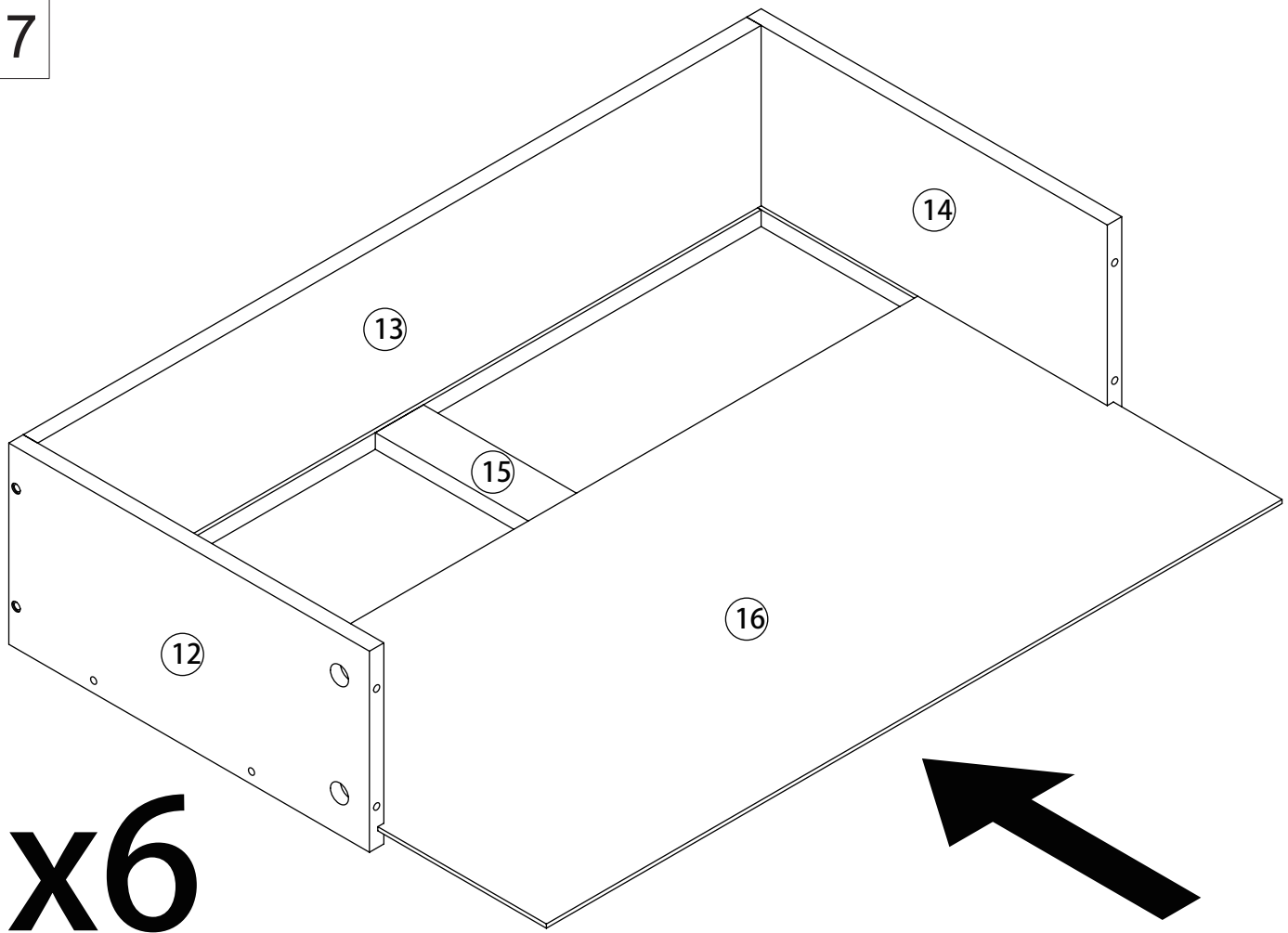


16

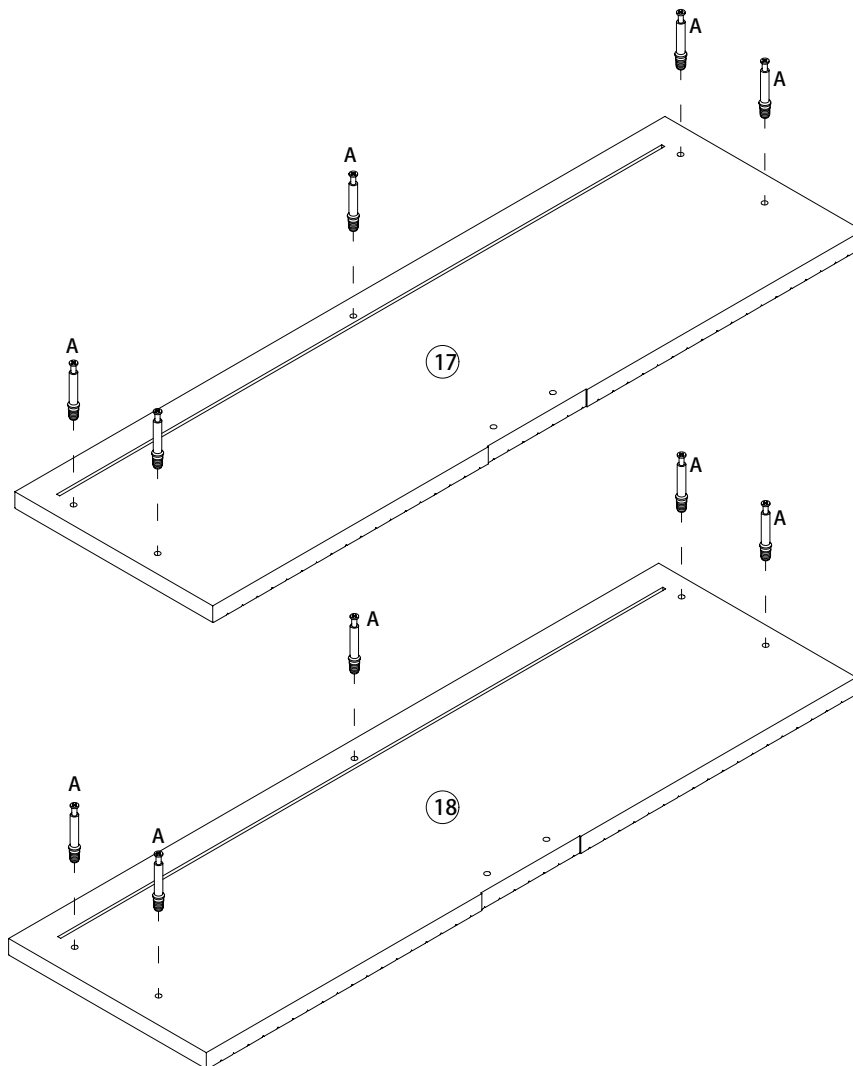


x6

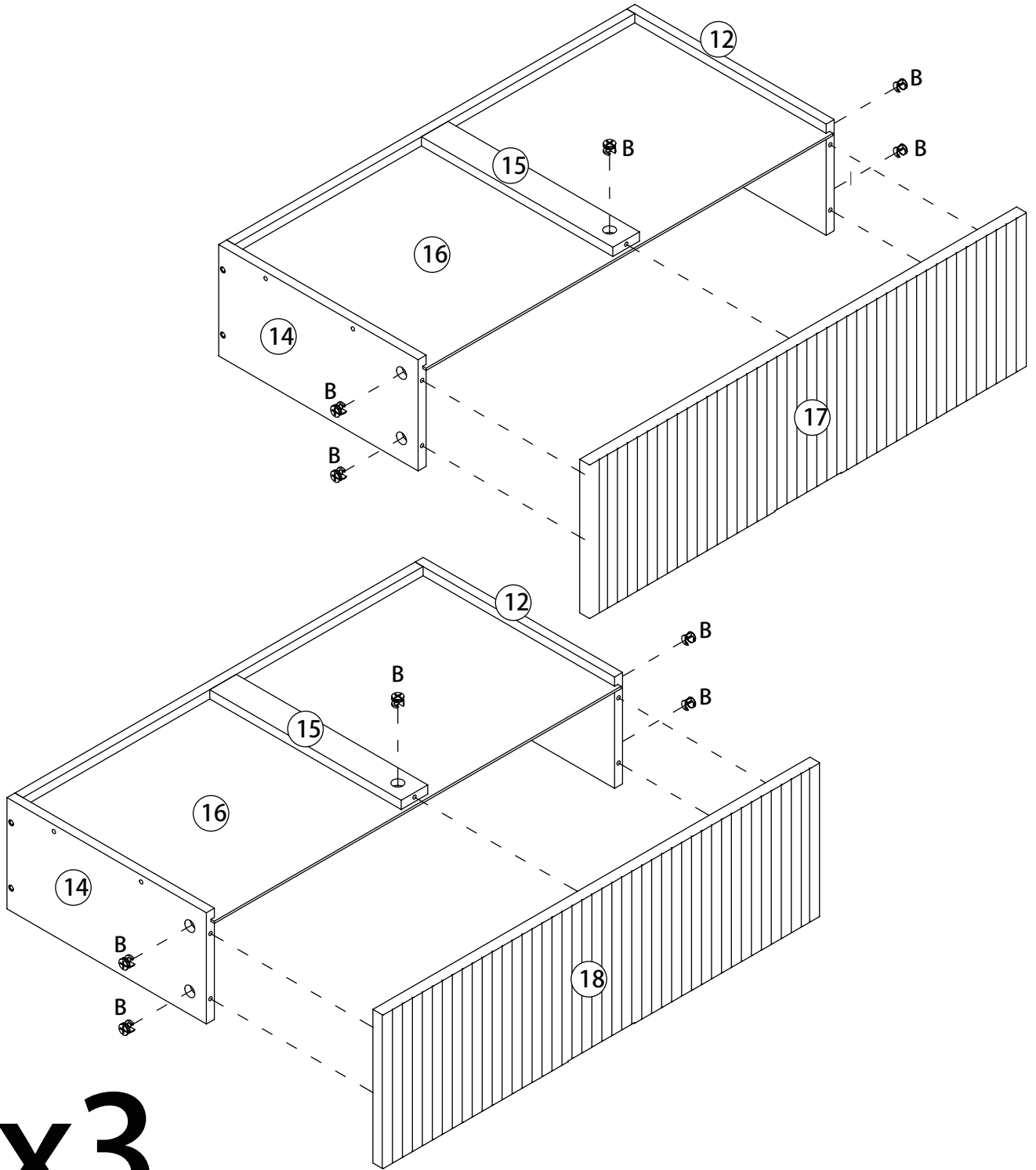
17



18

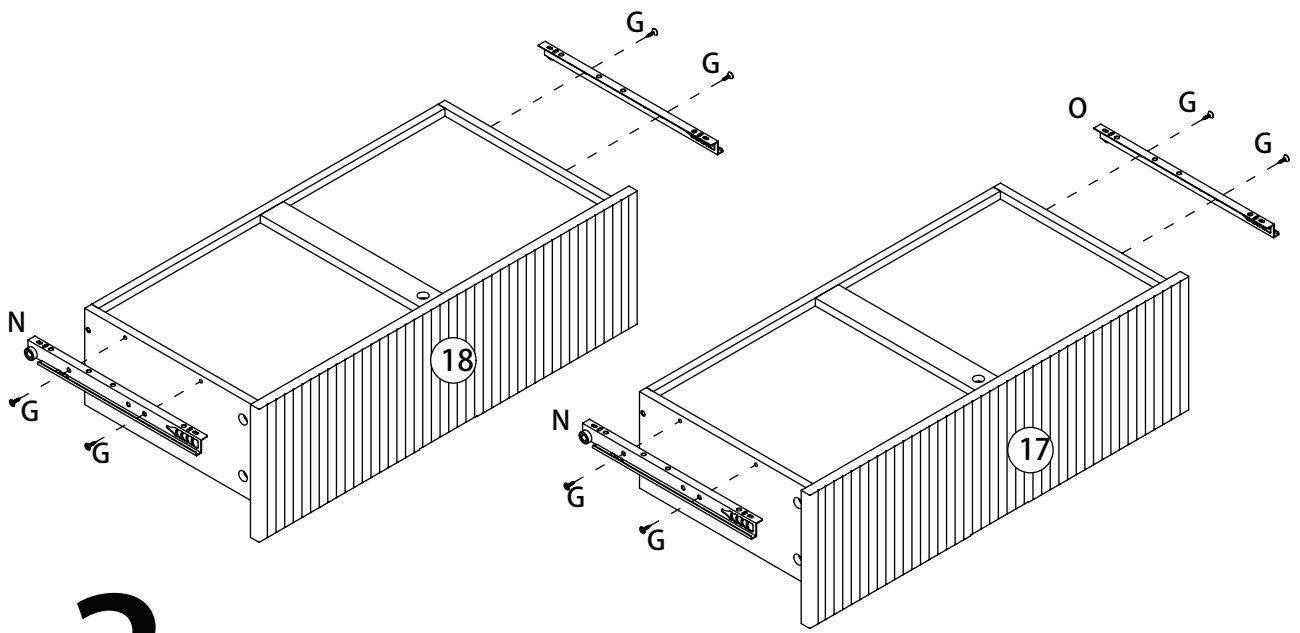


x3



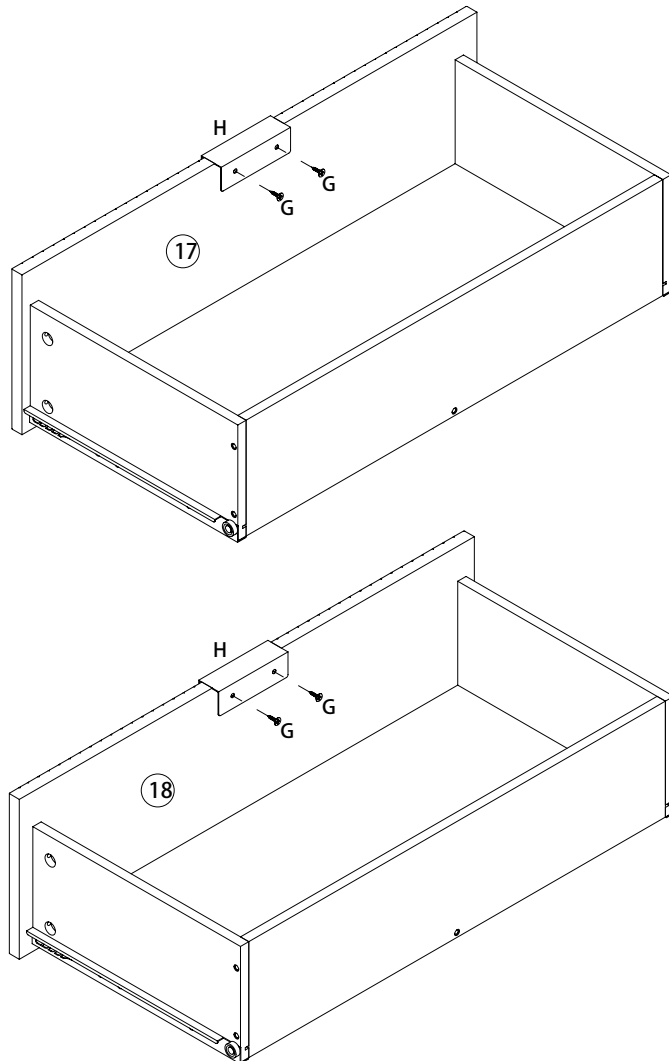
x3

20



x3

21



x3

