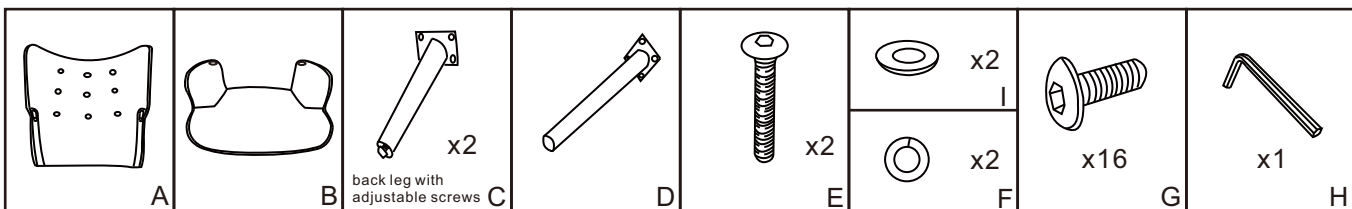
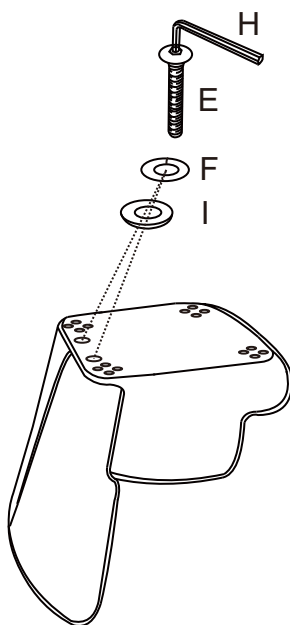
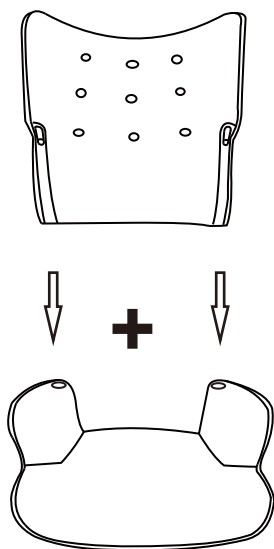


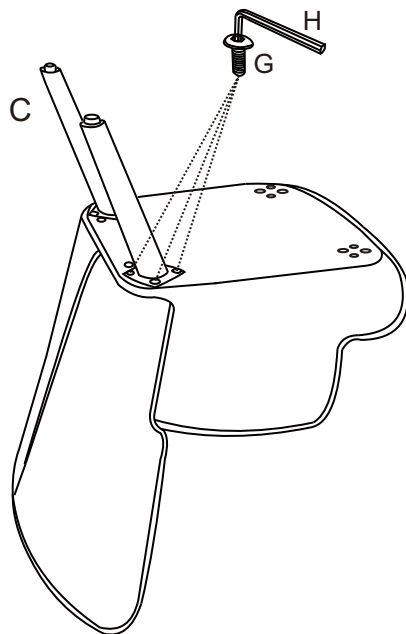
# ASSEMBLY INSTRUCTIONS



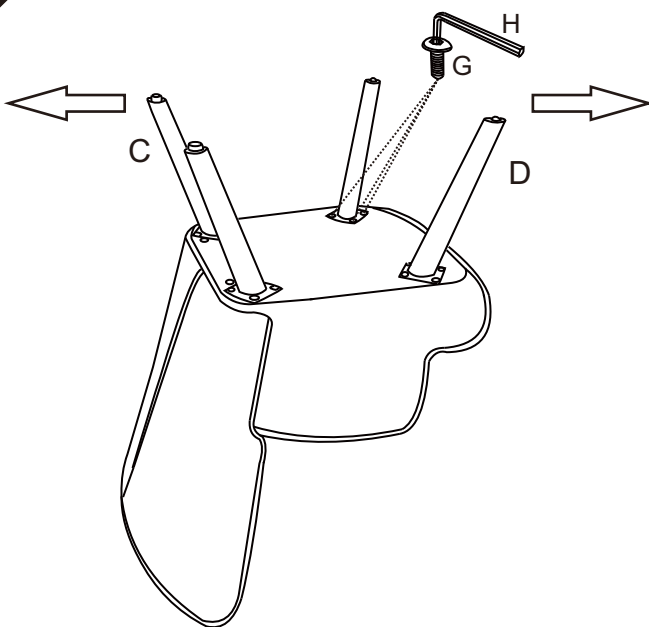
1



2



3



4

