
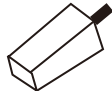
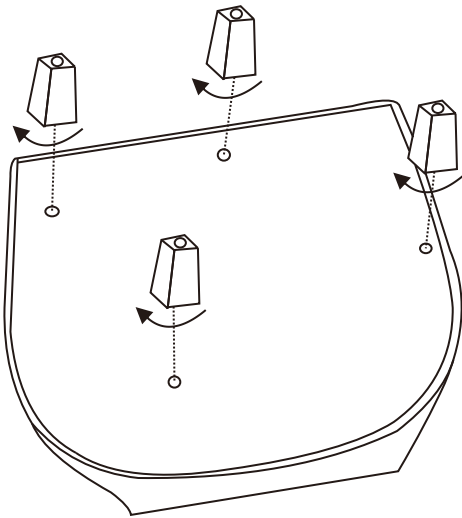


# ASSEMBLY INSTRUCTIONS

PARTS IDENTIFICATION:			
Part	Description	Image	Quantity
(A)	Chair		1pc
(B)	Feet		4pcs

## STEP 1



Place the Chair (A) on its back on a flat smooth surface.  
Attach Feet (B) to Chair (A).

## STEP 2

