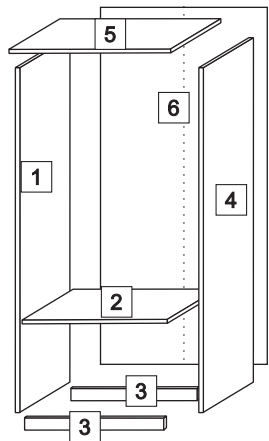


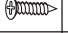
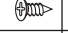








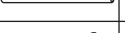

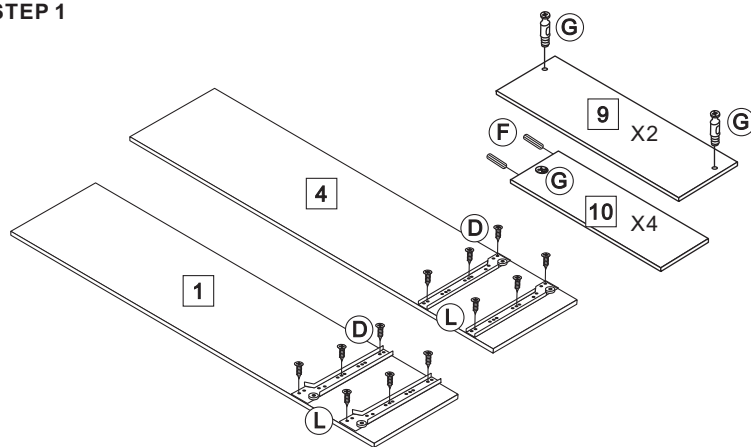


249-000043
Assembly Instruction

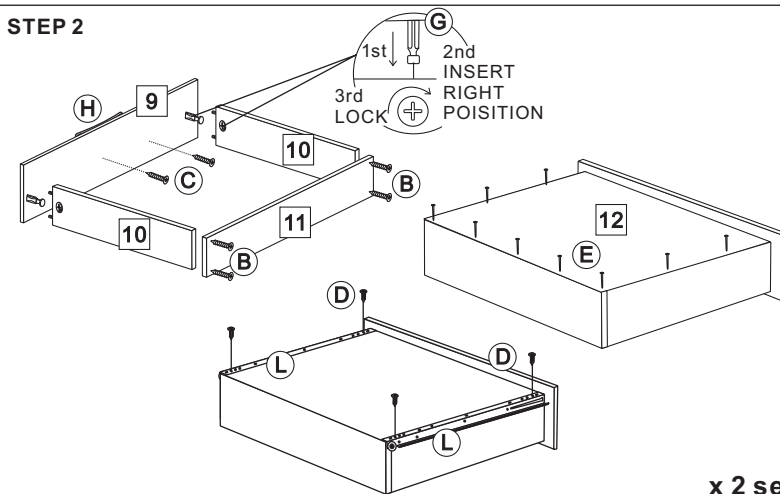


NO	HARDWARE LIST	QTY
A	JCBC screw M6X40MM 	12
B	M4X32MM screw 	8
C	M4X25MM screw 	8
D	M3.5X14MM screw 	48
E	Nail 	56
F	Dowel 8x25mm 	8
G	Mini Fit 	4 sets
H	Handle 	4
I	Leg Pin 	4
J	Drawer Stopper 	1
K	Hinge 	6
L	Drawer Slide 12" 	2 sets
M	Pipe 	1
N	Allen Key 	1

STEP 1

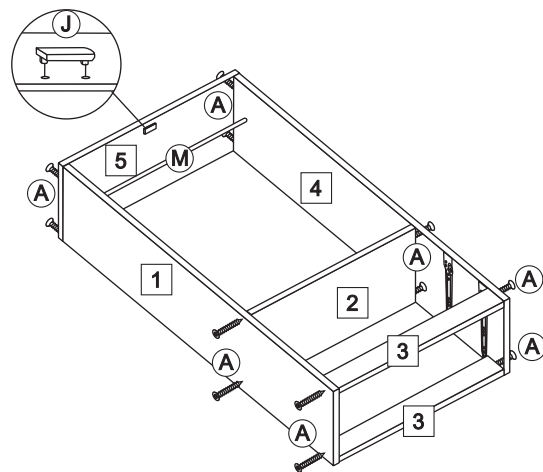


STEP 2

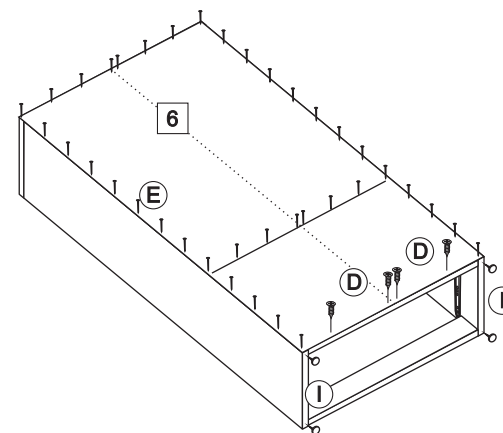


x 2 sets

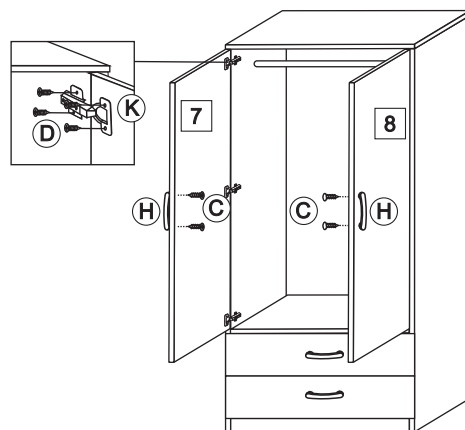
STEP 3



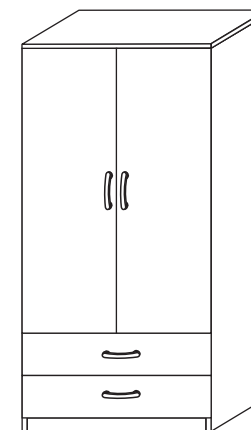
STEP 4

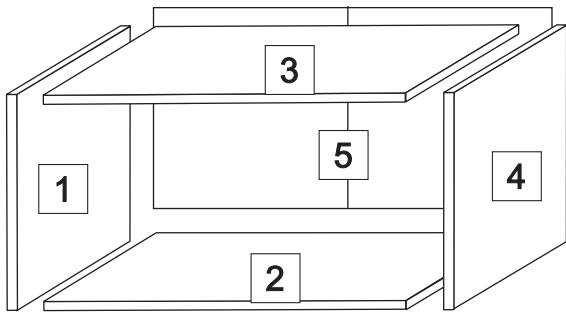







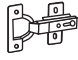

STEP 5



STEP 6



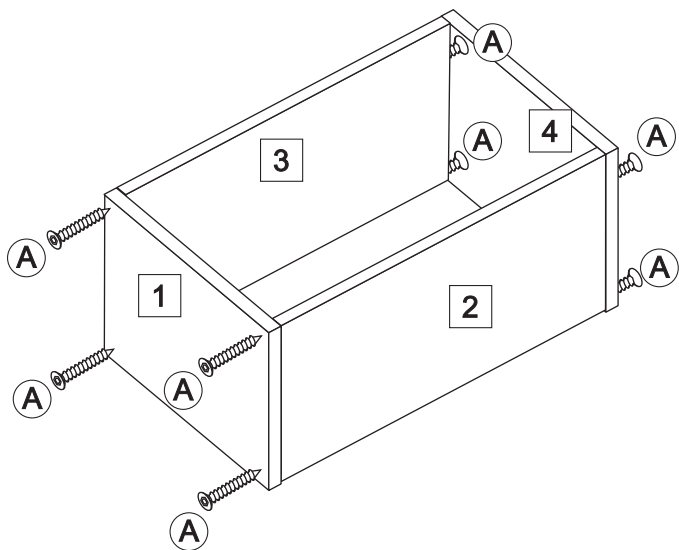


HARDWARE			
(A)  JCBC M6 X 40mm X 8	(B)  M4 X 25mm X 10	(C)  M3.5 X 14mm X 16	(D)  Nail X 20
(E)  Handle X 2	(F)  Hinge X 4	(G)  Allen Key X 1	

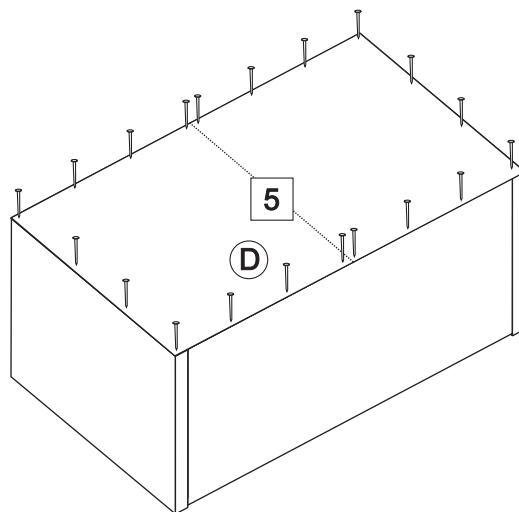
Ruler- Use this ruler to help correctly identify the bolts.



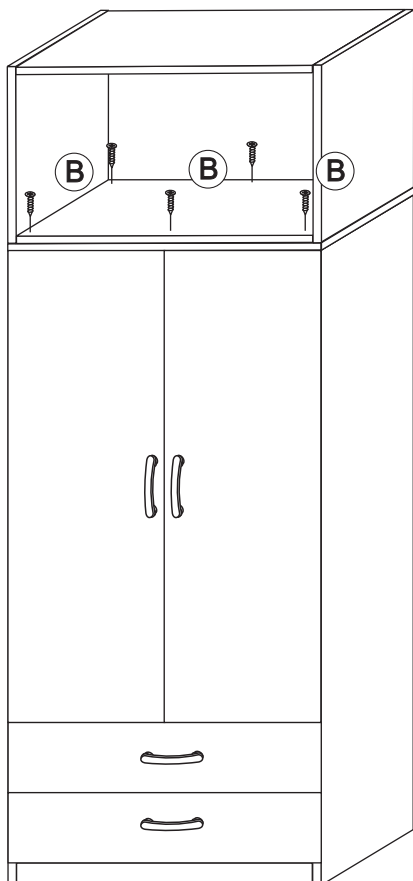
STEP 7



STEP 8



STEP 9



STEP 10

