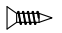









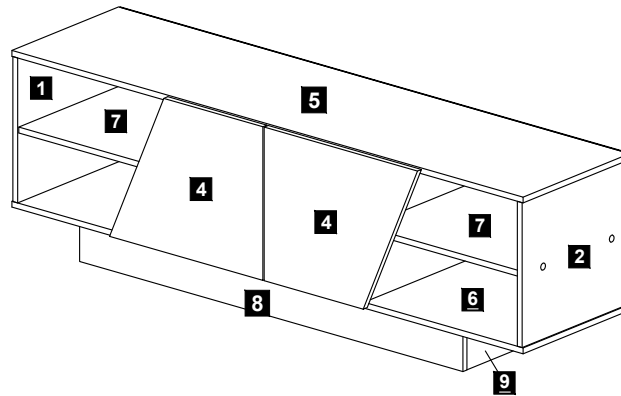


HARDWARE ITEM			QTY
A2		Screw m3.5 x 14mm	64
A15		Screw JBCBW m6 x 38mm	18
E7		Door Hinge 2/8	4
F2		Mini Fix 15mm	14 Sets
L1		Leg Pin	2
L2		Plastic Leg L Shape	4
N1		Allen Key	1
N3		Nail	40 (+-3)
R1		L Bracket	8
Y		Mini Fix Plastic Cap	16

COMPLETE



CAUTION

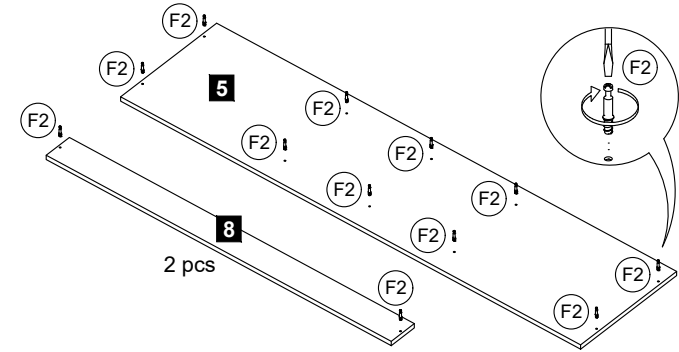
MATERIAL USE LAMINATED PARTICLE BOARD, TO CLEAN USE SOFT, DRY CLOTH. DO NOT USE DETERGENT OR CHEMICAL AVOID CONTACT WITH WATER AND DIRECT SUNLIGHT. TO BE ASSEMBLED ON A SOFT, DRY, CLEAN SMOOTH SURFACE.

USE OF POWER TOOLS TO ASSEMBLE THIS PRODUCT WILL INVALIDATE ANY CLAIM AND MAY DAMAGE THIS PRODUCT MAKING IT UNSAFE.

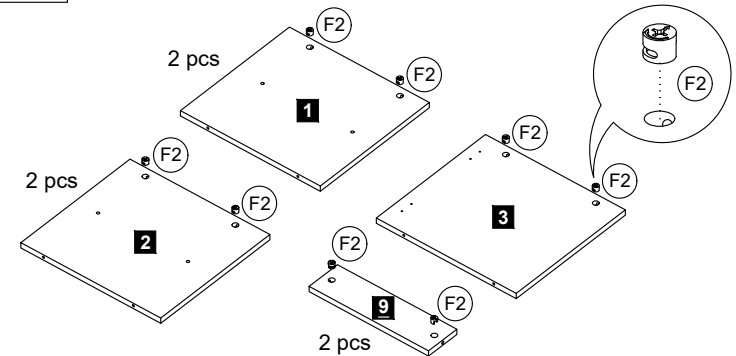


PRE - ASSEMBLY

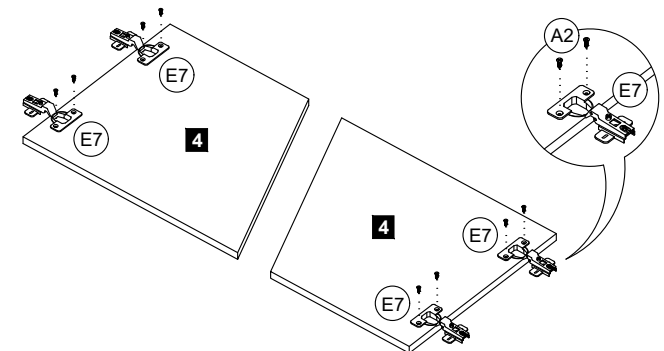
STEP 1 Insert the Mini Fix Bolt (F2) at panel no. 5 & 8.



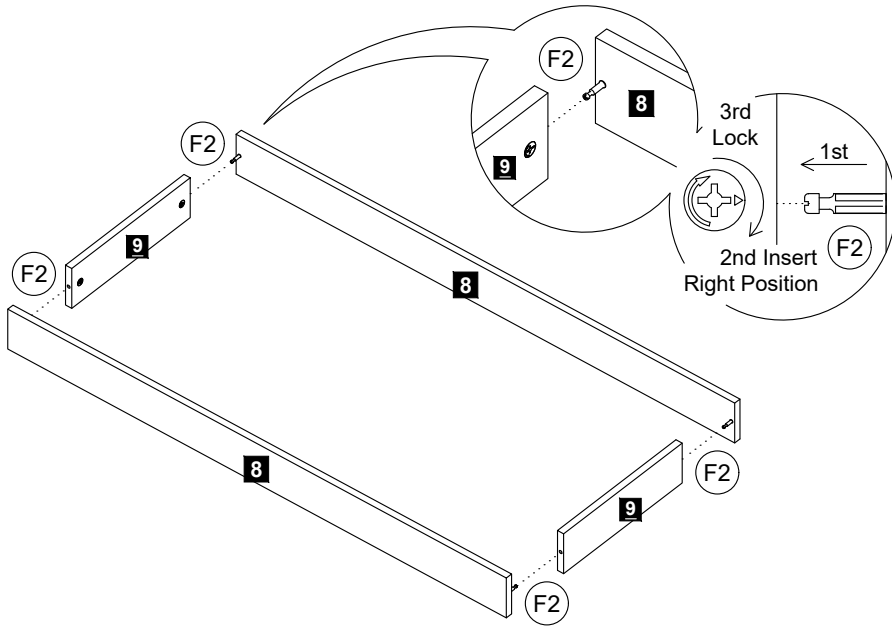
STEP 2 Insert the Mini Fix Cam (F2) at panel no. 1, 2, 3 & 9.



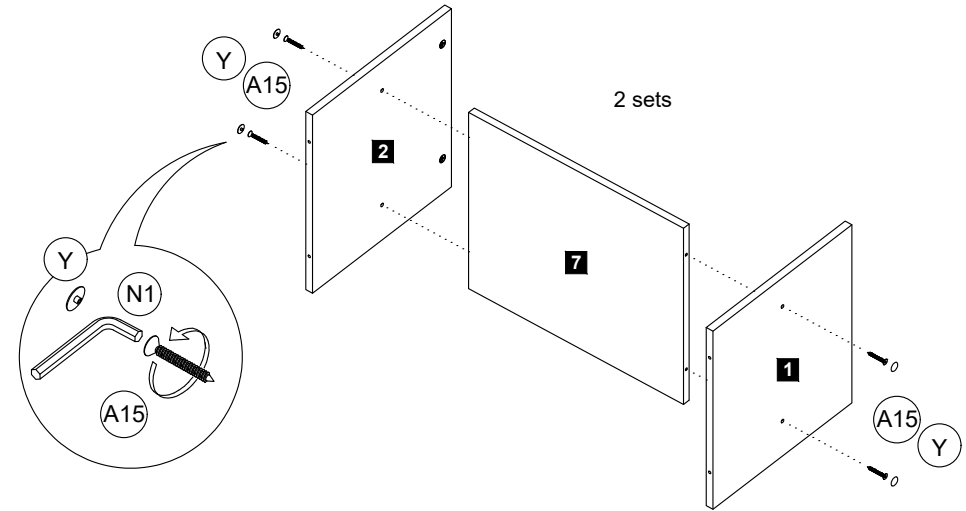
STEP 3 Assemble the Door Hinges 2/8 (E7) at panel no. 4 by using Screw m3.5 x 14mm (A2).



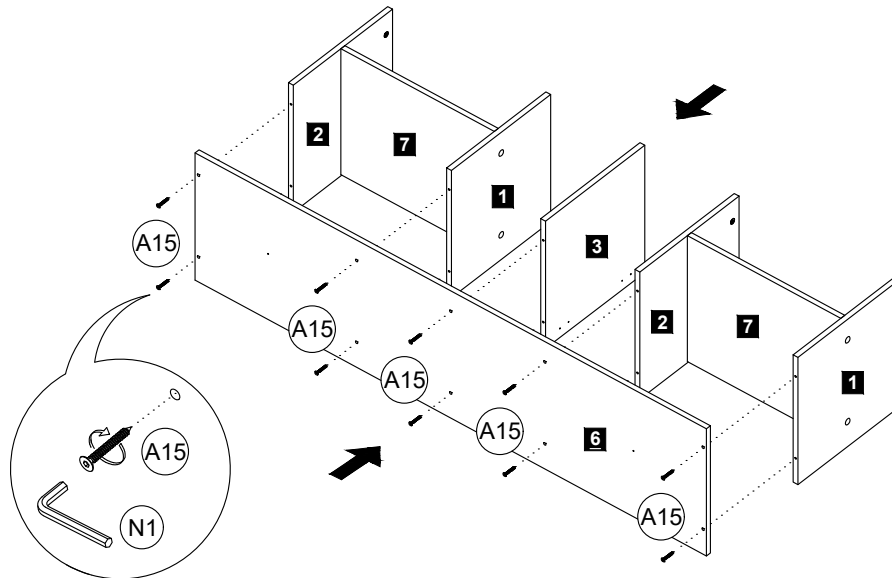
STEP 4 Assemble the panel no. 8 & 9 together by using Mini Fix 15mm (F2).



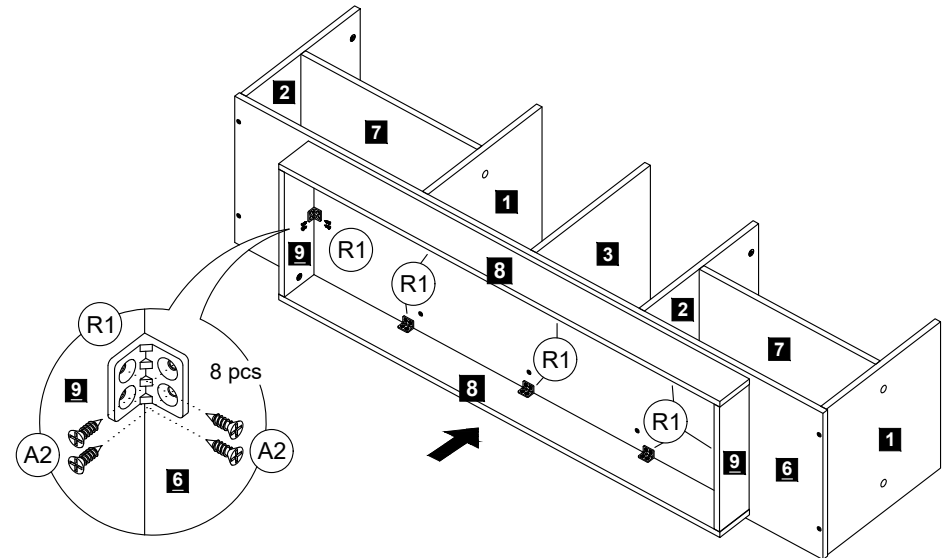
STEP 5 Assemble the panel no. 1, 2 & 7 together by using Screw JCBCW m6 x 38mm (A15). Use Allen Key (N1) to tighten the Screw JCBCW m6 x 38mm (A15) & button the screw head with Mini Fix Plastic Cap (Y).



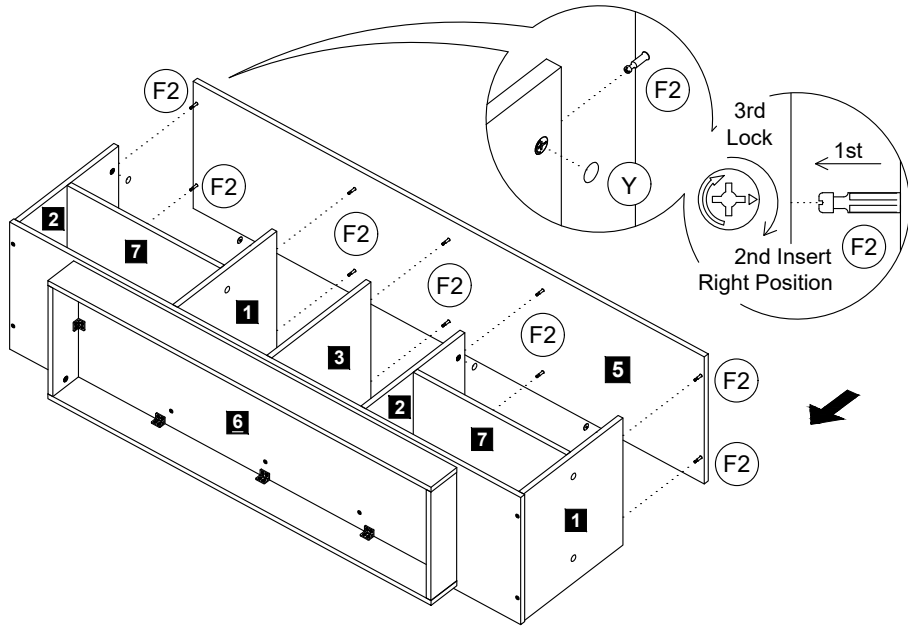
STEP 6 Assemble the panel no. 1, 2, 3, 6 & 7 together by using Screw JCBCW m6 x 38mm (A15). Use Allen Key (N1) to tighten the Screw JCBCW m6 x 38mm (A15).



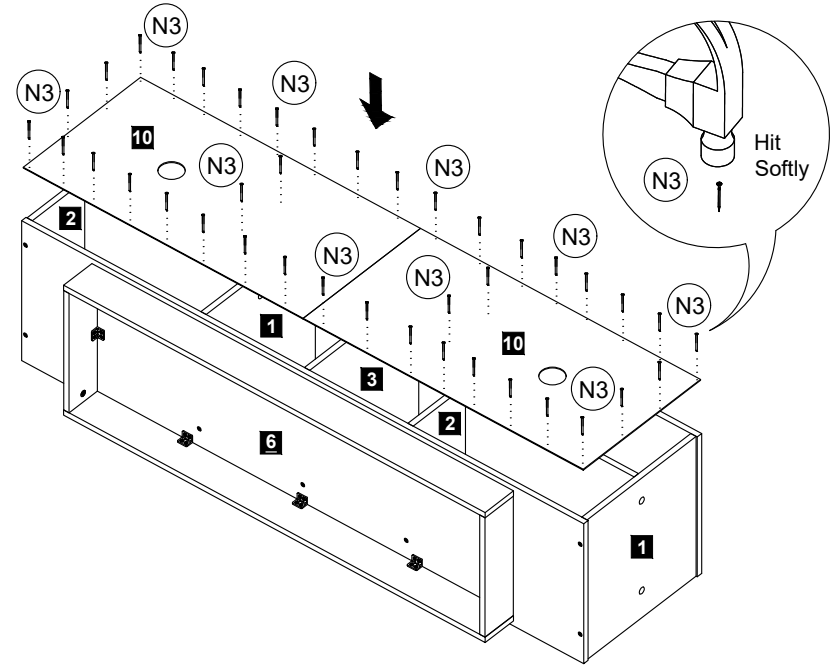
STEP 7 Assemble the panel no. 8 & 9 to the unit by using L Bracket (R1) with Screw m3.5 x 14mm (A2) at the marking hole of panel no. 6.



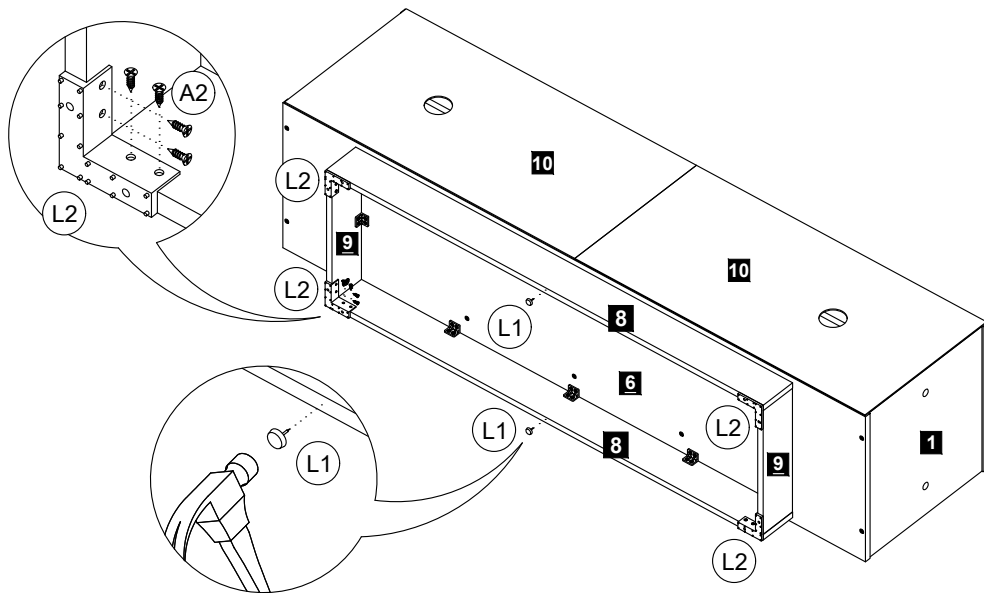
STEP 8 Assemble the panel no. 5 to the unit by using Mini Fix 15mm (F2). Then, button the Mini Fix with the Mini Fix Plastic Cap (Y) except panel no. 3.



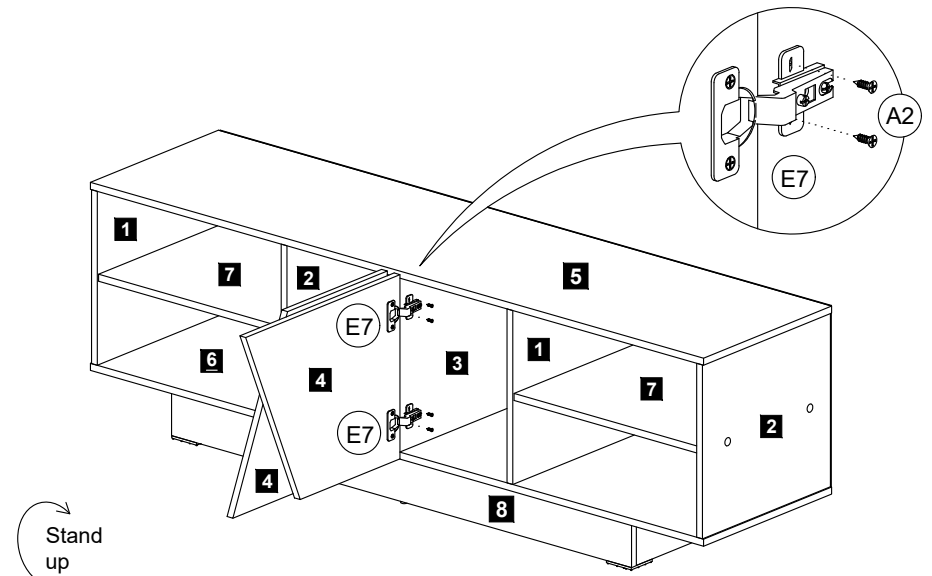
STEP 9 Assemble the back panel no. 10 to the unit by using Nail (N3).



STEP 10 Assemble the Plastic Leg L Shape (L2) at between panel no. 8 & 9 by using Screw m3.5 x 14mm (A2). Then, nail the Leg Pin (L1) at the bottom of panel no. 8.



STEP 11 Attach the doors & adjusting the Door Hinge 2/8 (E7) to screw parallel between the door gap.



Stand up