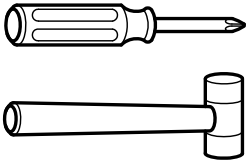
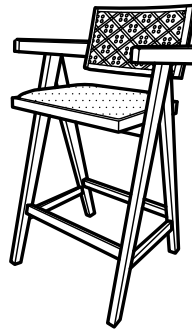


ASSEMBLY
INSTRUCTIONS

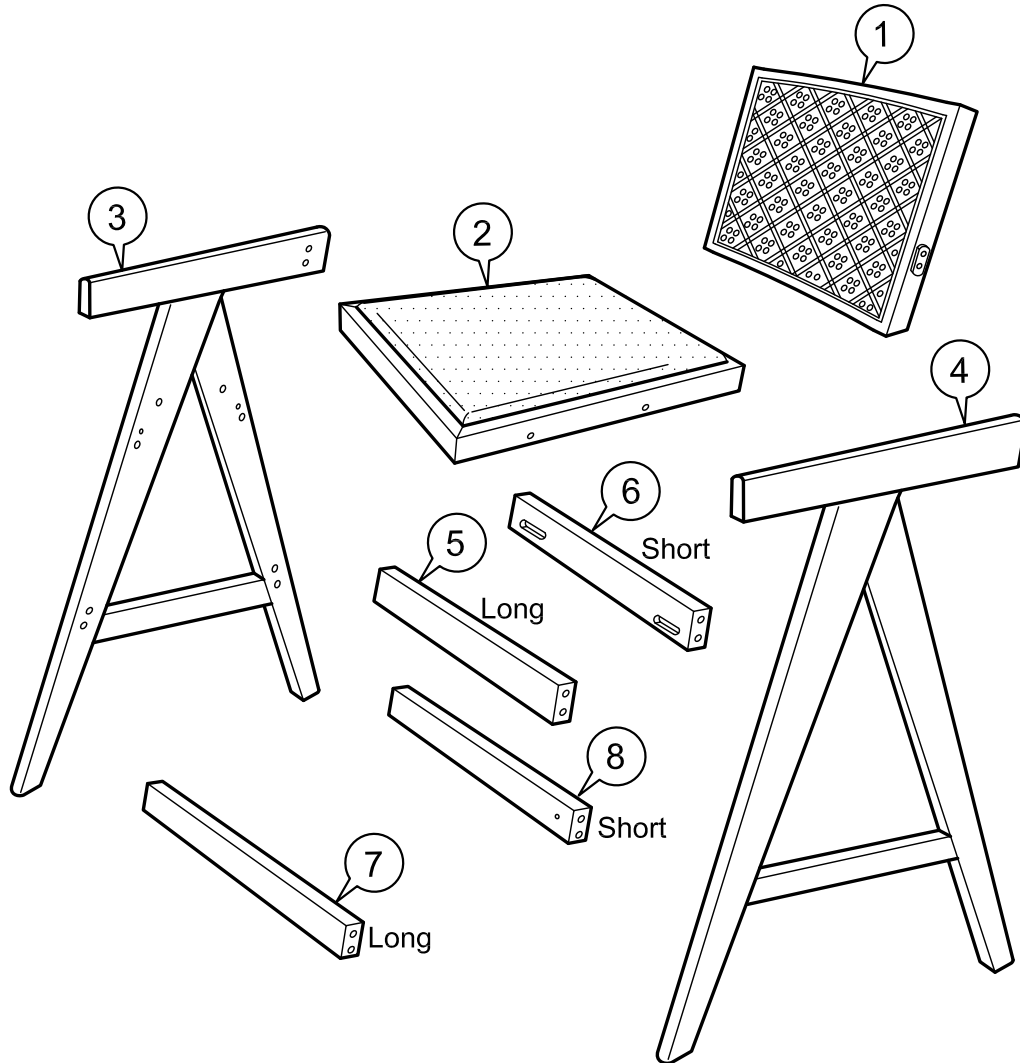
247-000010



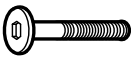

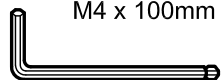

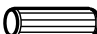
Not Provided



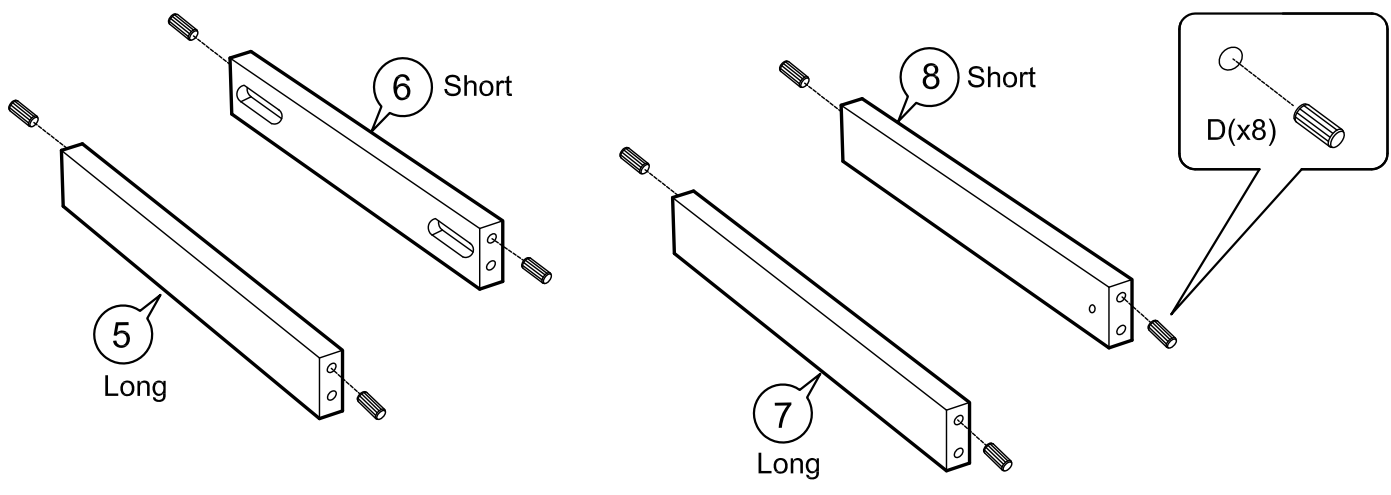
Part List :



HARDWARE LIST :

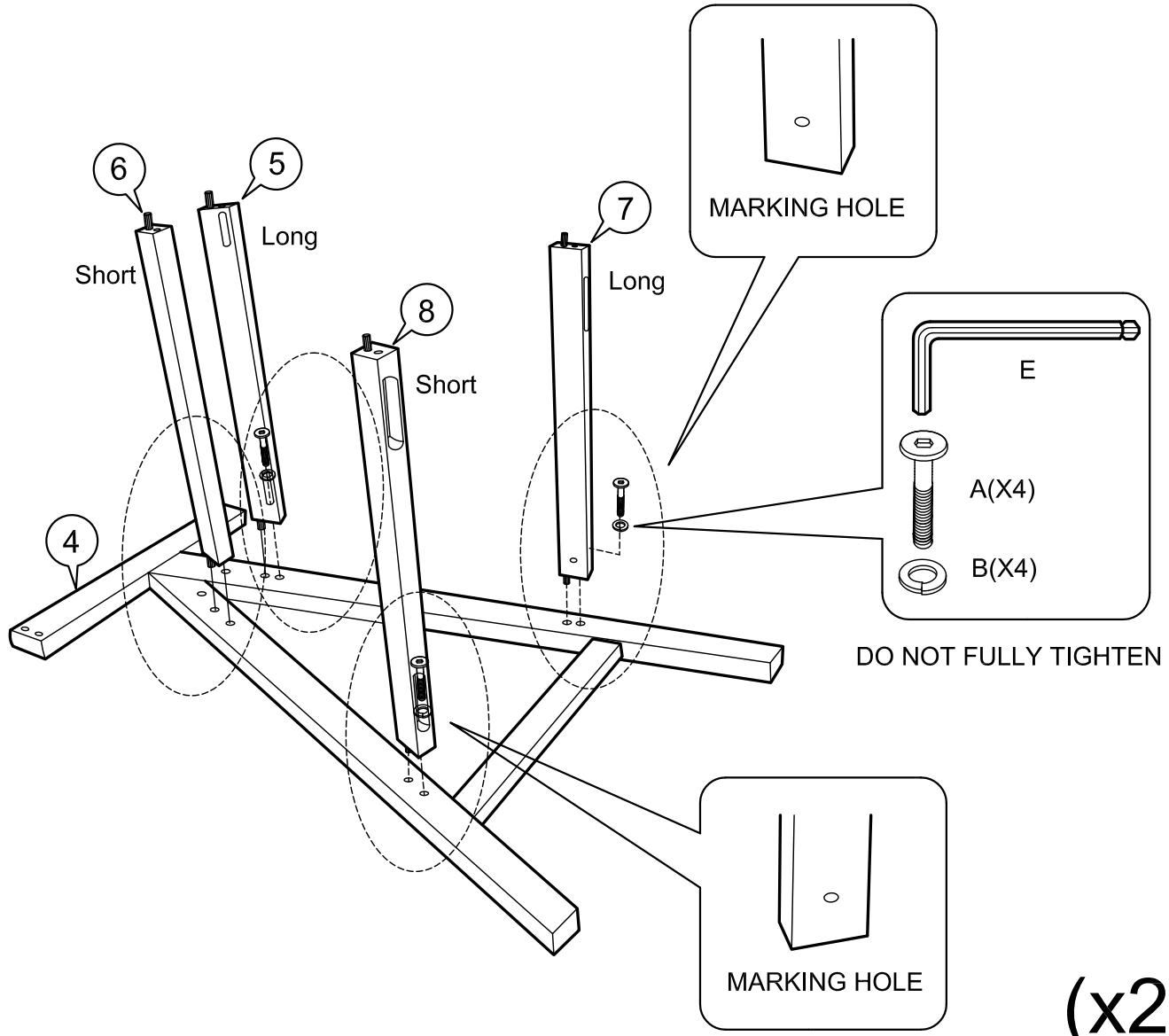
<p>A M6 x 50mm = 32</p> 	<p>C M6 x 13mm = 16</p> 	<p>E M4 x 100mm = 1</p> 
<p>B 5/16" = 16</p> 	<p>D M8 x 30mm = 16</p> 	

1



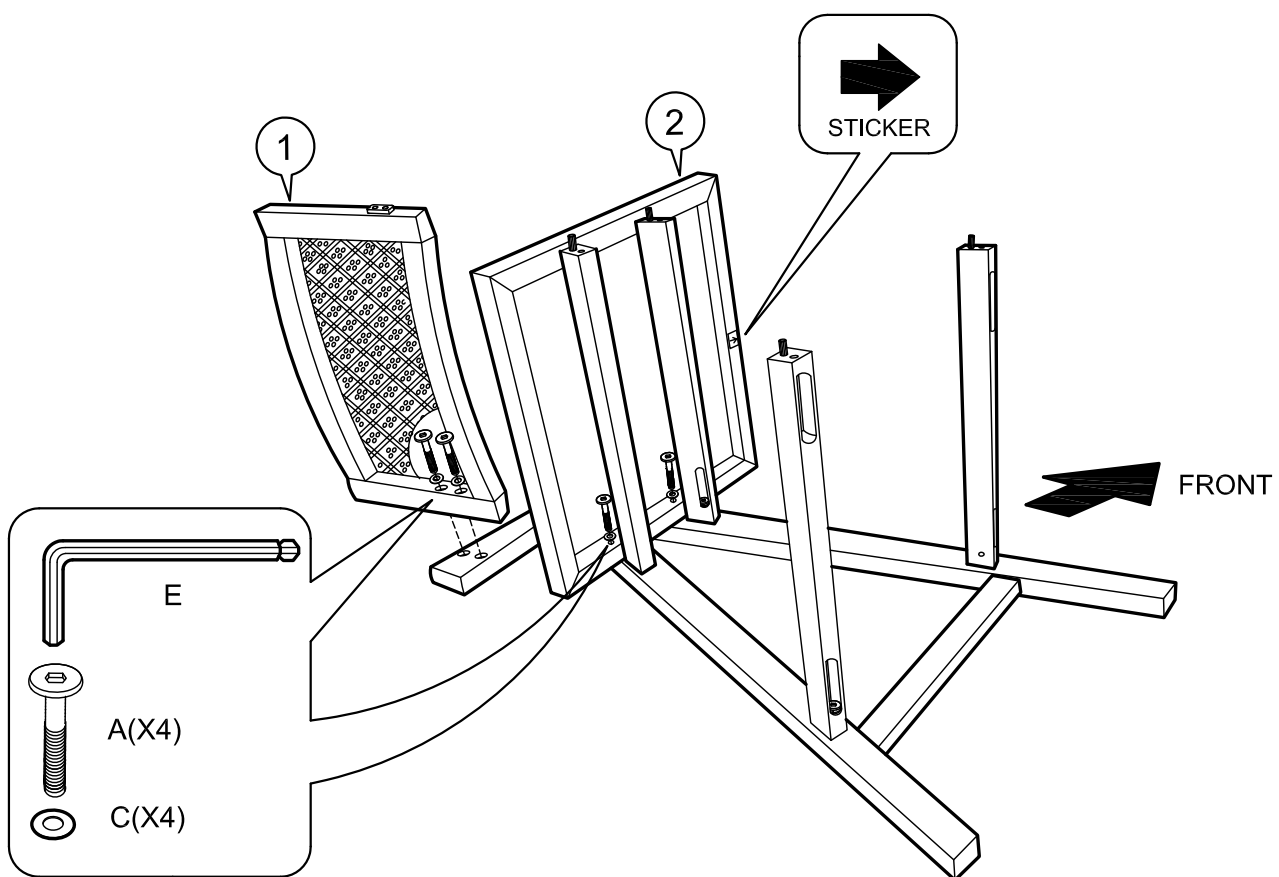
(x2)

2



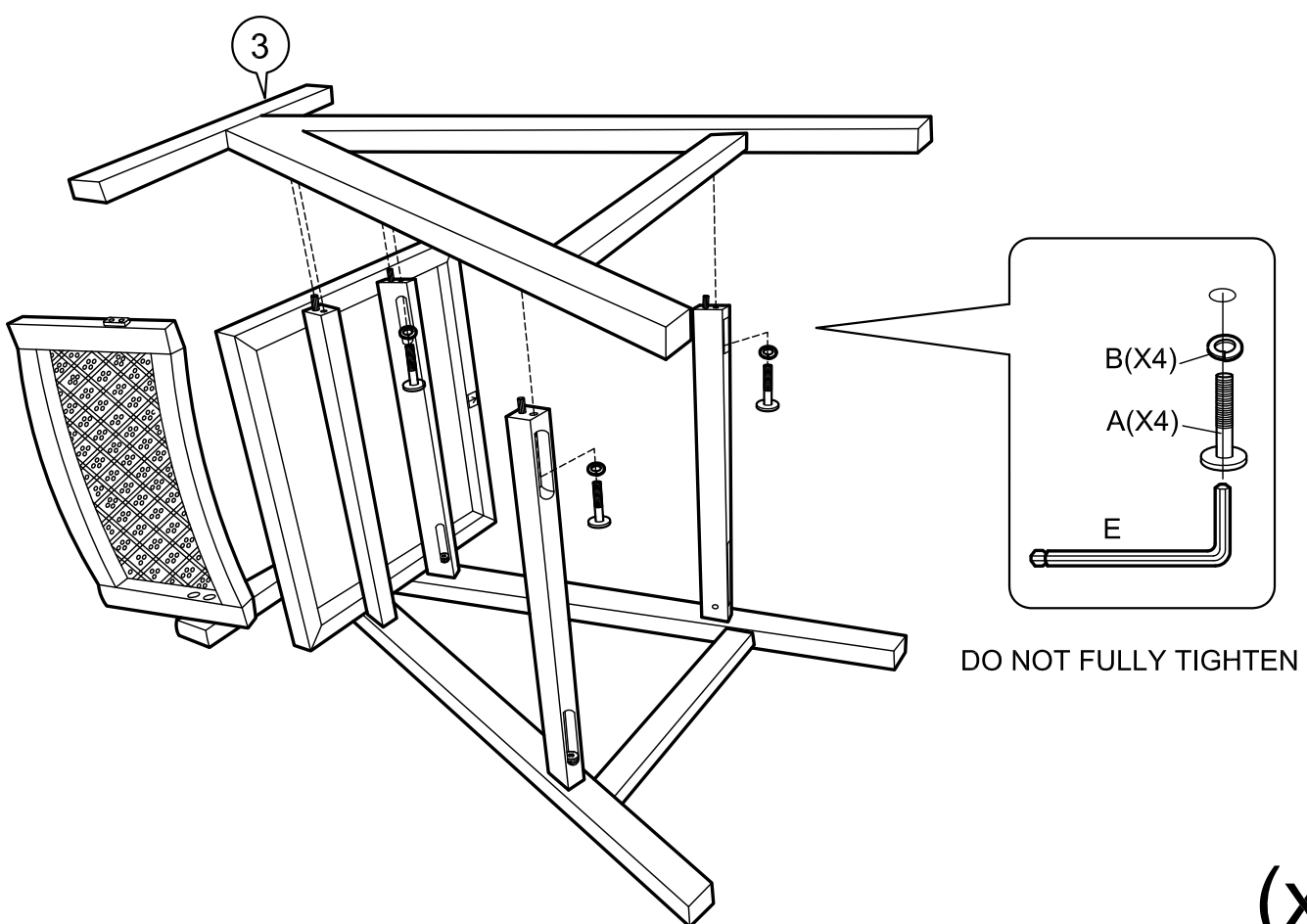
(x2)

3



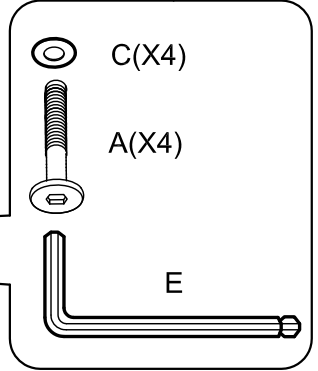
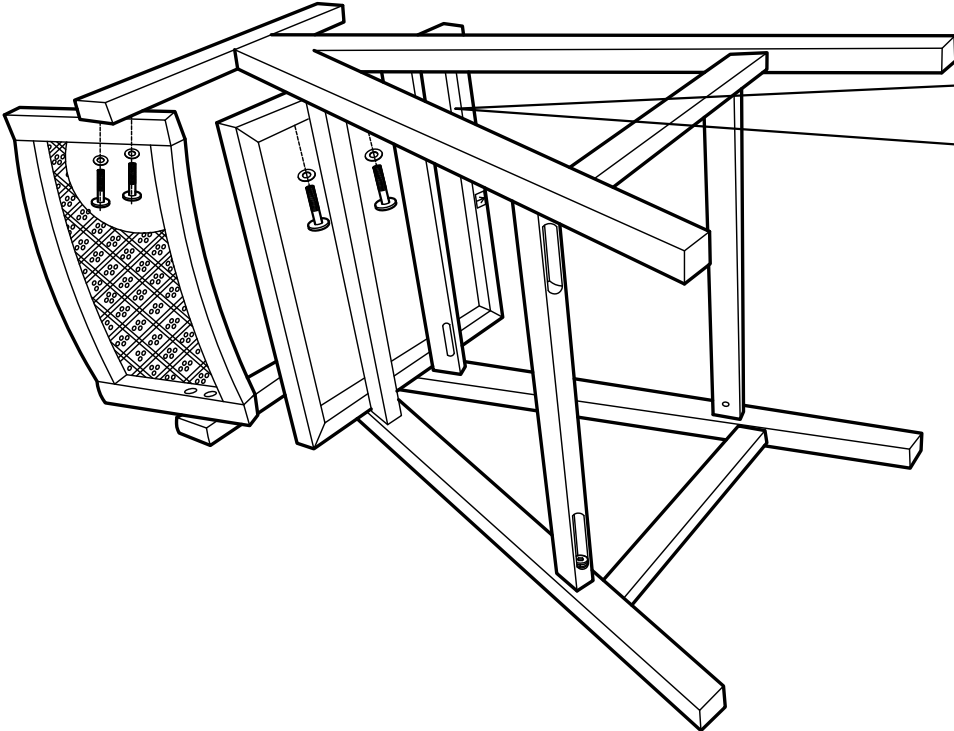
(x2)

4



(x2)

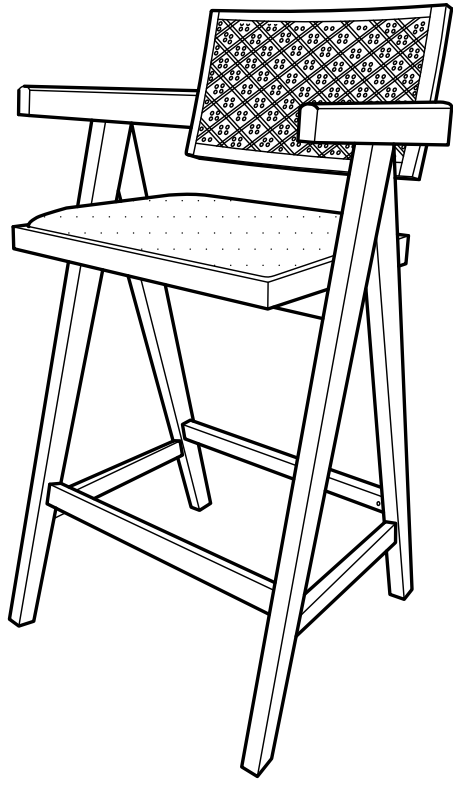
5



DO NOT FULLY TIGHTEN

(x2)

6



FULLY TIGHTEN ALL BOLTS

(x2)