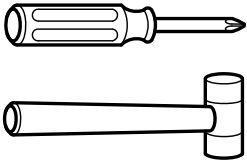


ASSEMBLY  
INSTRUCTIONS

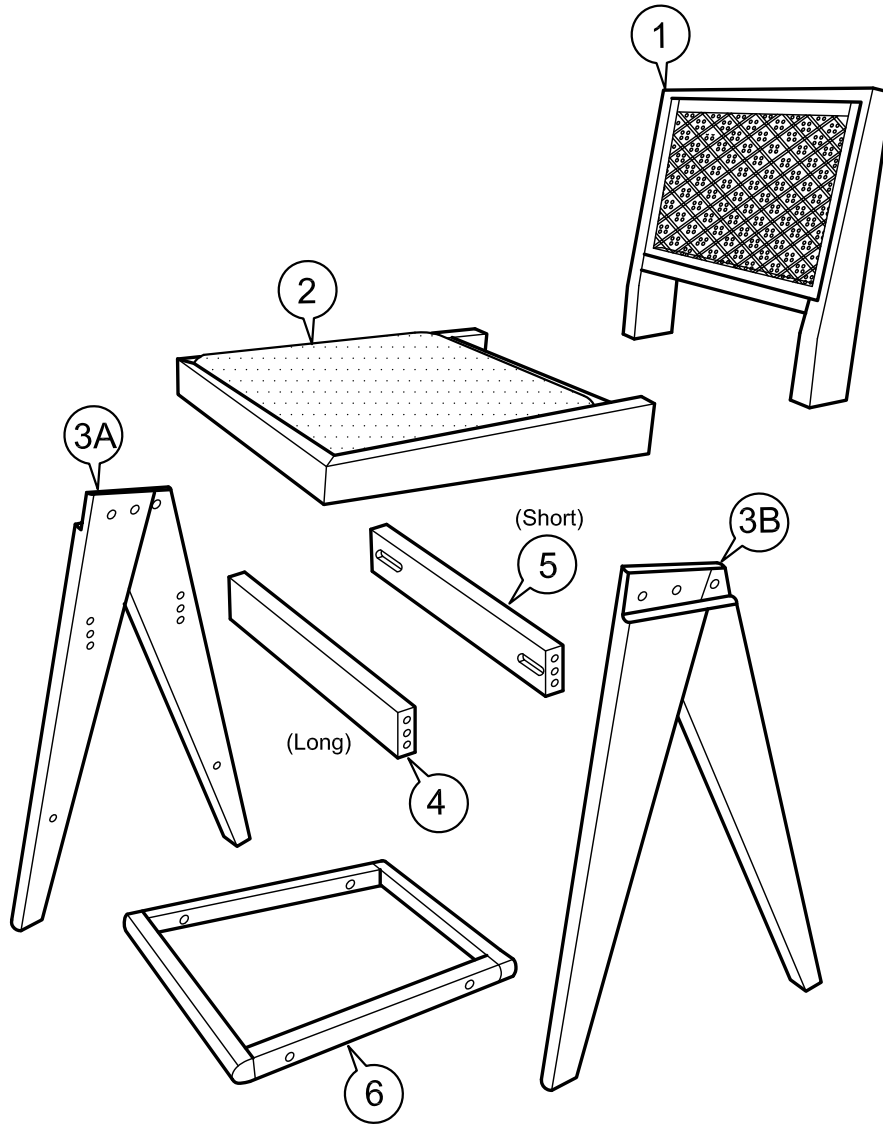
247-000007



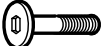

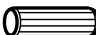

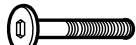




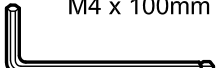
Not Provided



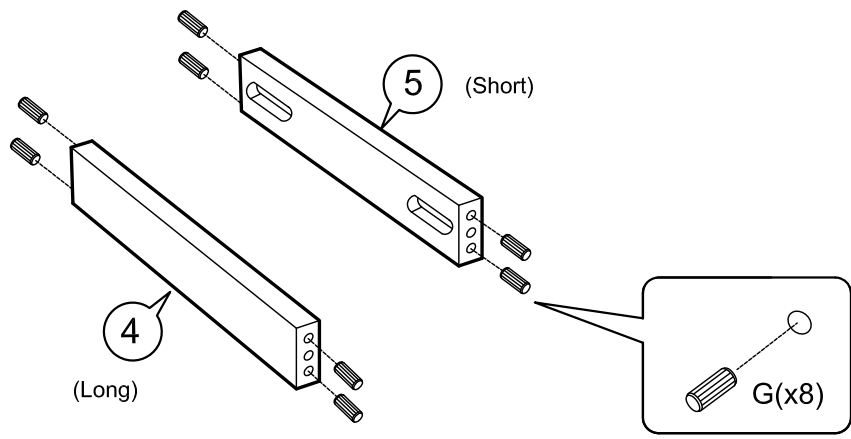
Part List :



HARDWARE LIST :

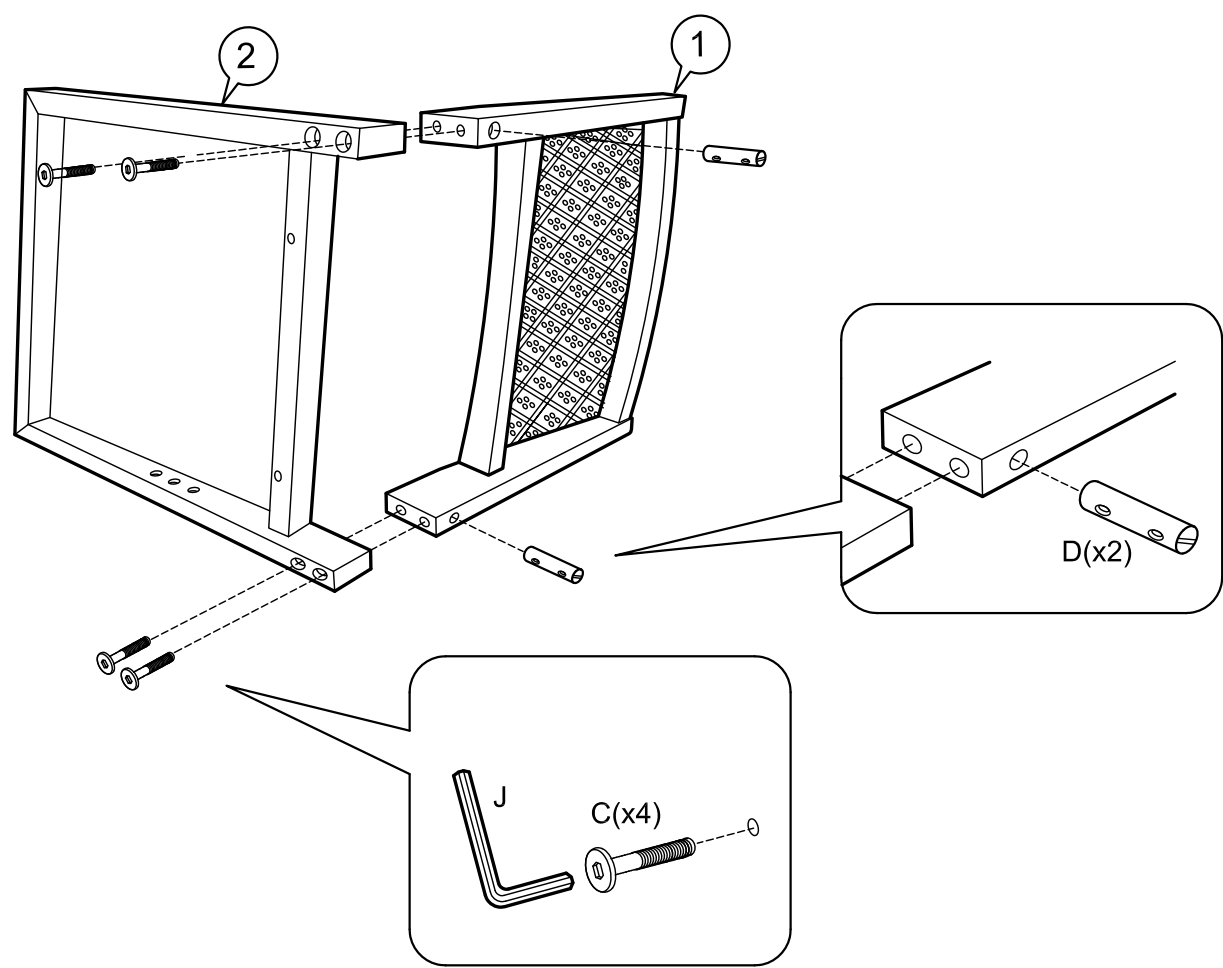
<p>A M6 x 35mm = 20</p> 	<p>D M8 x 55mm = 4</p> 	<p>G M8 x 30mm = 16</p> 	<p>J M5 = 1</p> 
<p>B M6 x 50mm = 8</p> 	<p>E 5/16" = 8</p> 	<p>H Ø13.5 x 9 = 4</p> 	
<p>C M8 x 100mm = 8</p> 	<p>F M6 x 13mm = 20</p> 	<p>I M4 x 100mm = 1</p> 	

1



(x2)

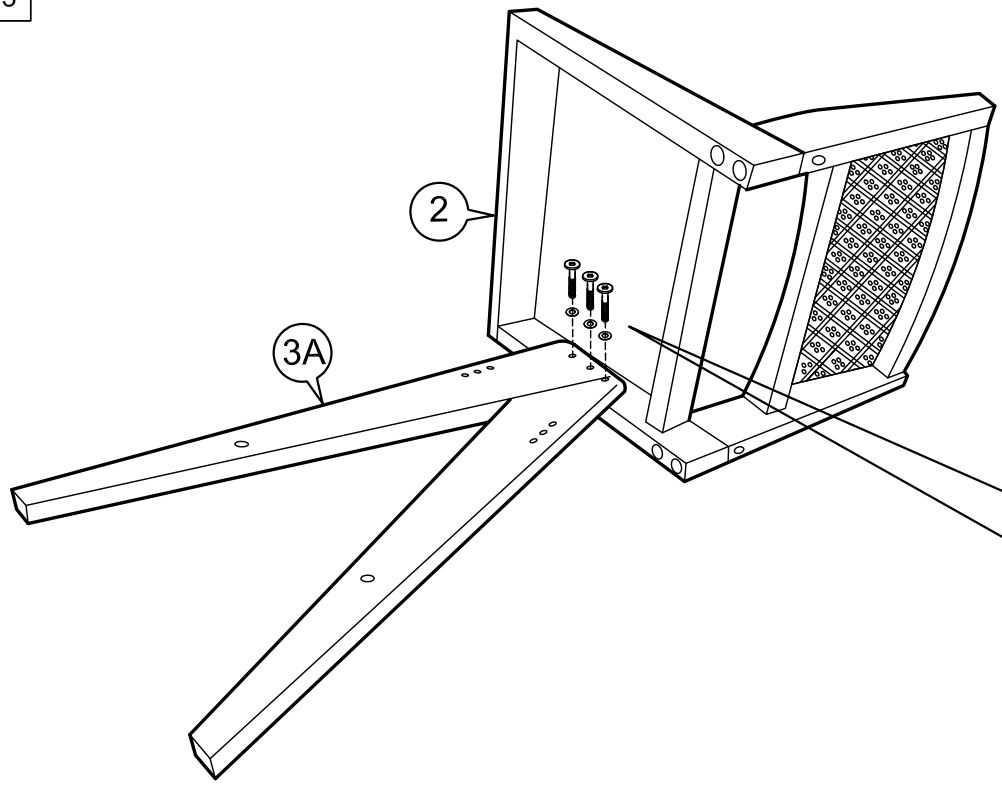
2



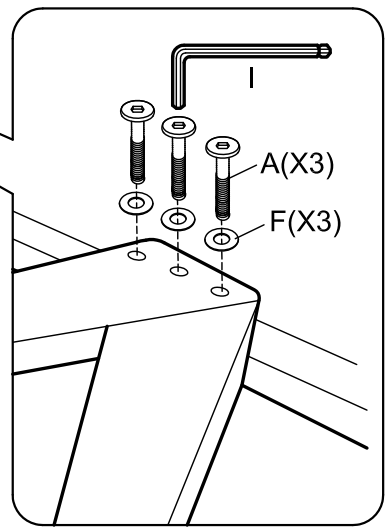
DO NOT FULLY TIGHTEN

(x2)

3

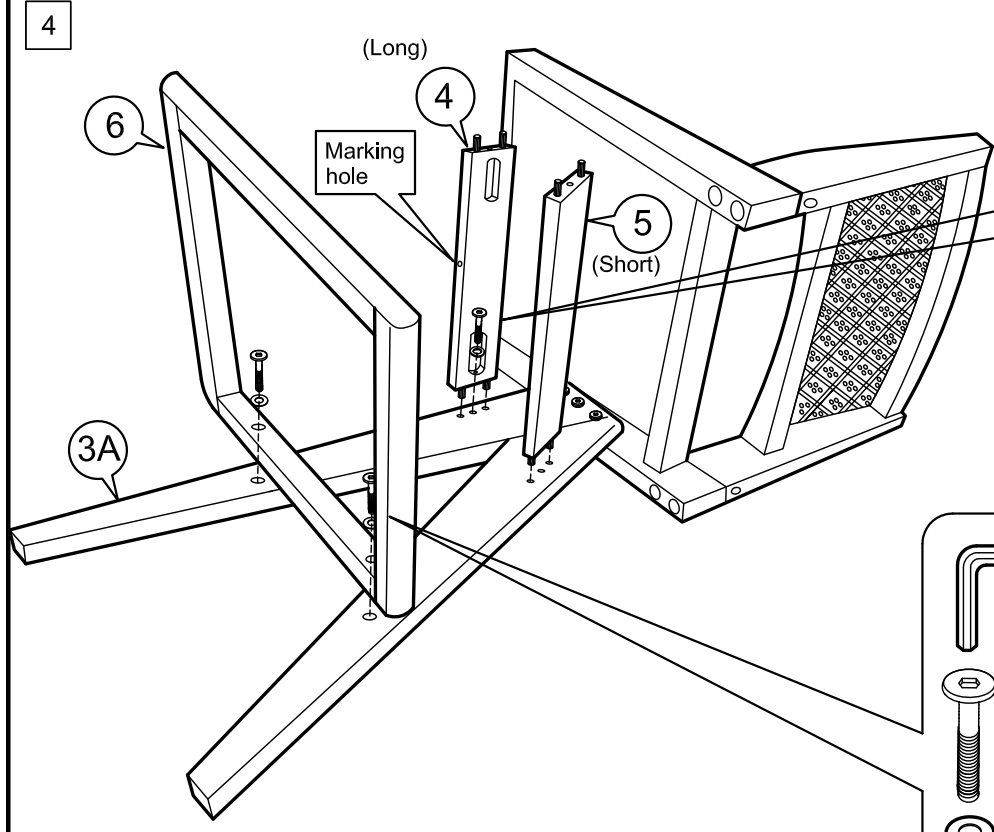


DO NOT FULLY TIGHTEN

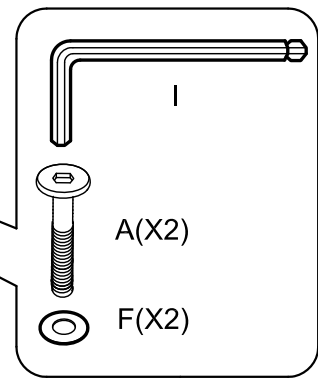
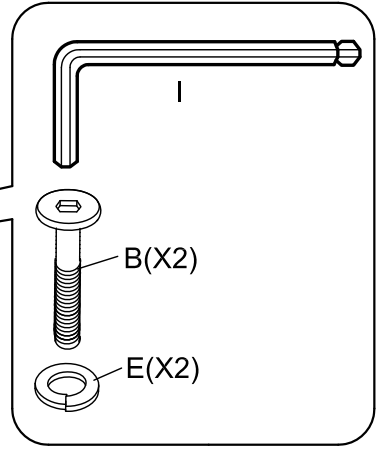


(x2)

4



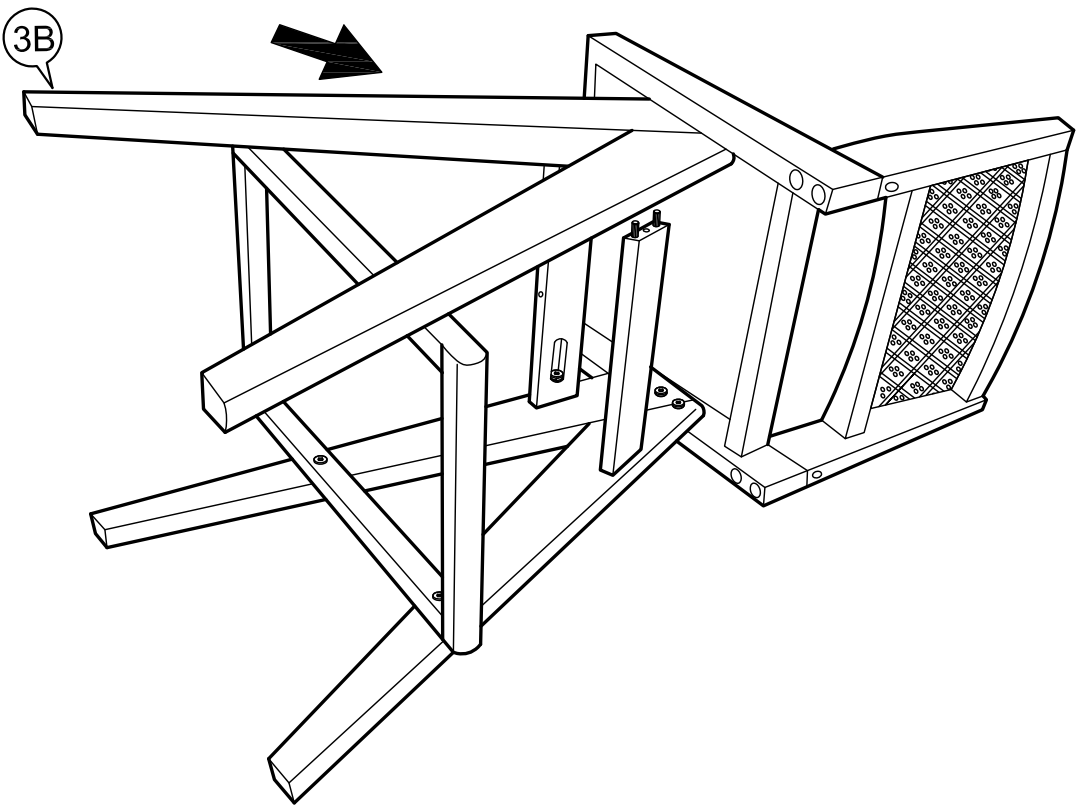
DO NOT FULLY TIGHTEN



DO NOT FULLY TIGHTEN

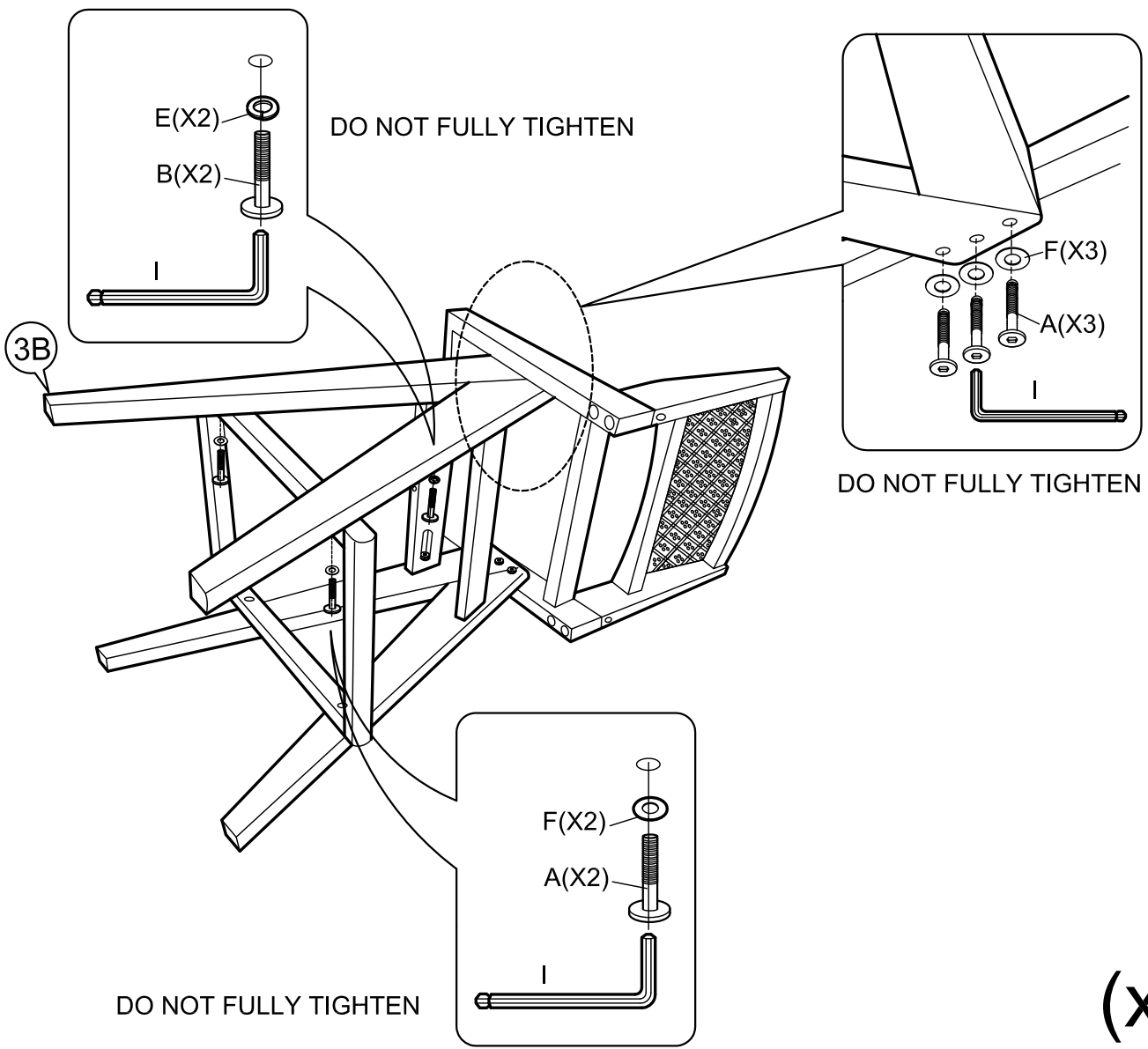
(x2)

5



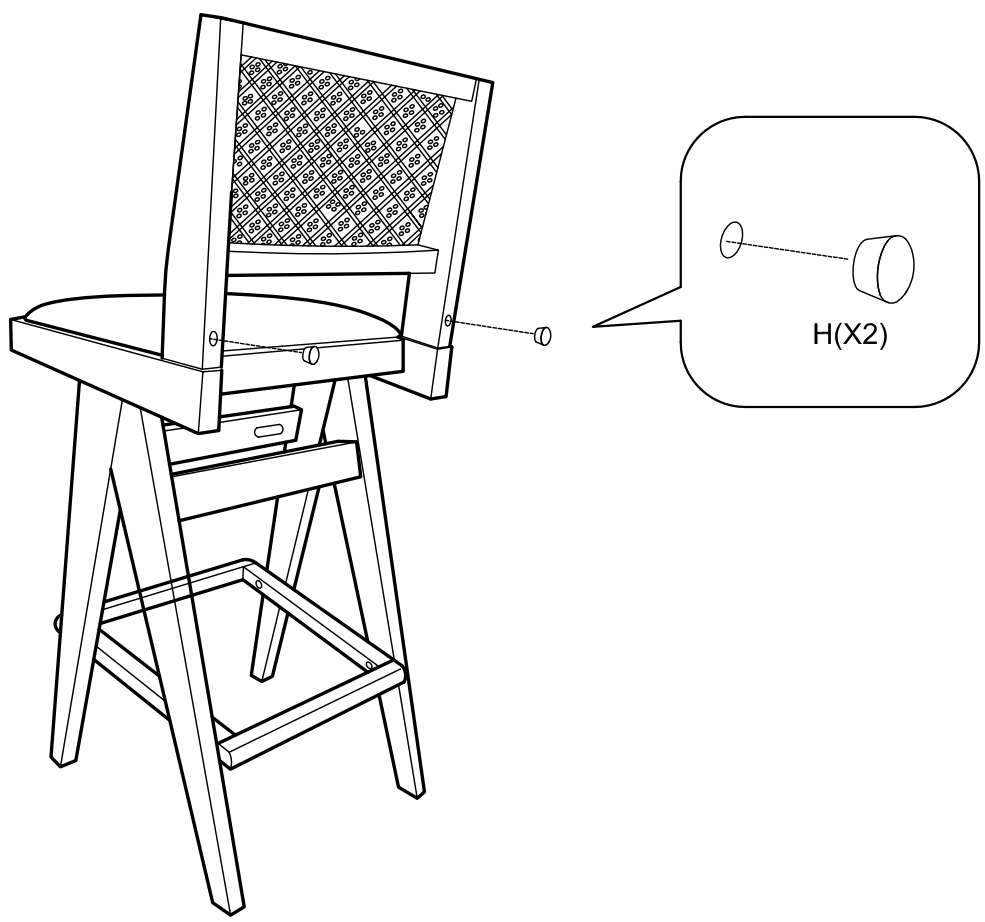
(x2)

6



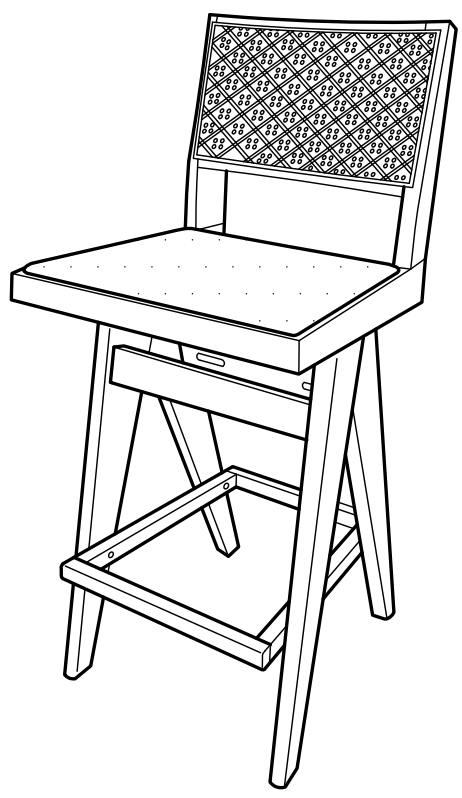
(x2)

7



(x2)

8



FULLY TIGHTEN ALL BOLTS

(x2)