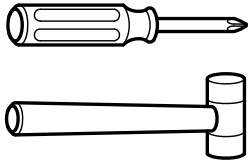


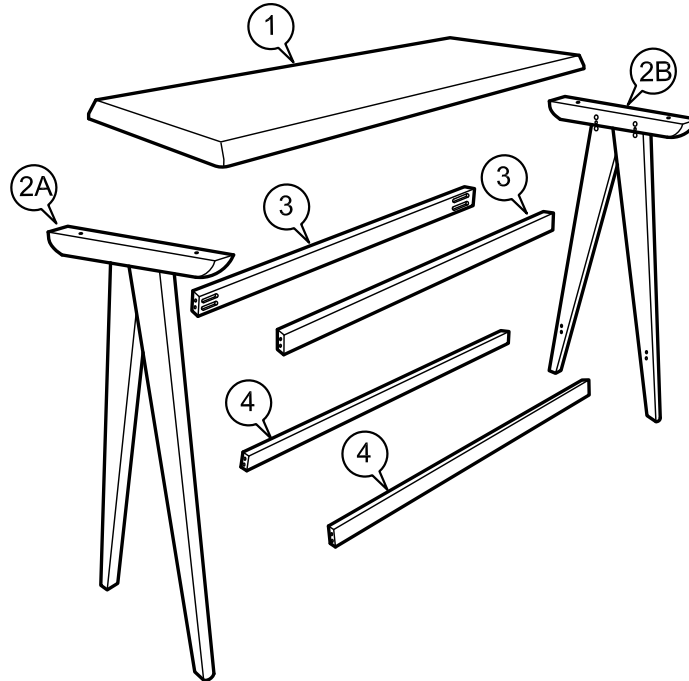
ASSEMBLY
INSTRUCTIONS

247-000006



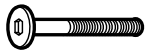
Not Provided

Part List :



HARDWARE LIST :

A M6 x 50mm = 16



C M6 x 13mm = 4



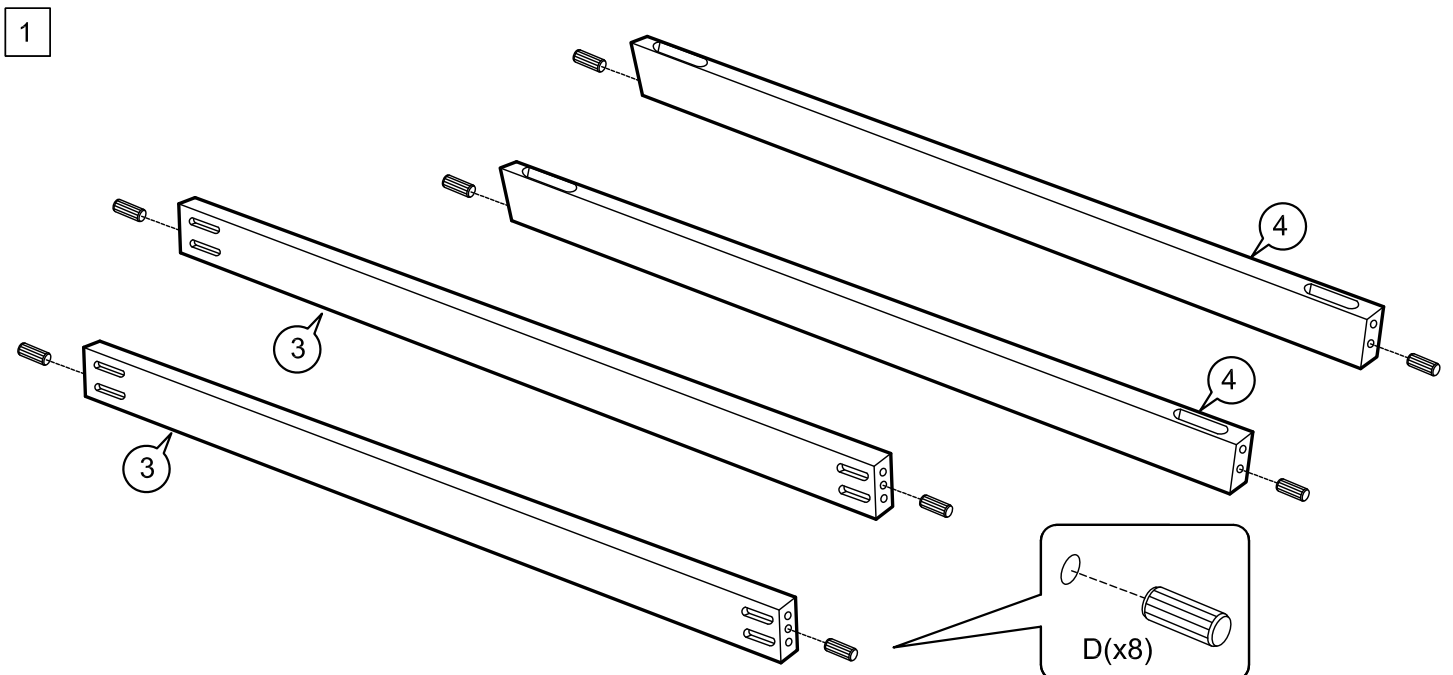
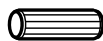
E M4 x 100mm = 1



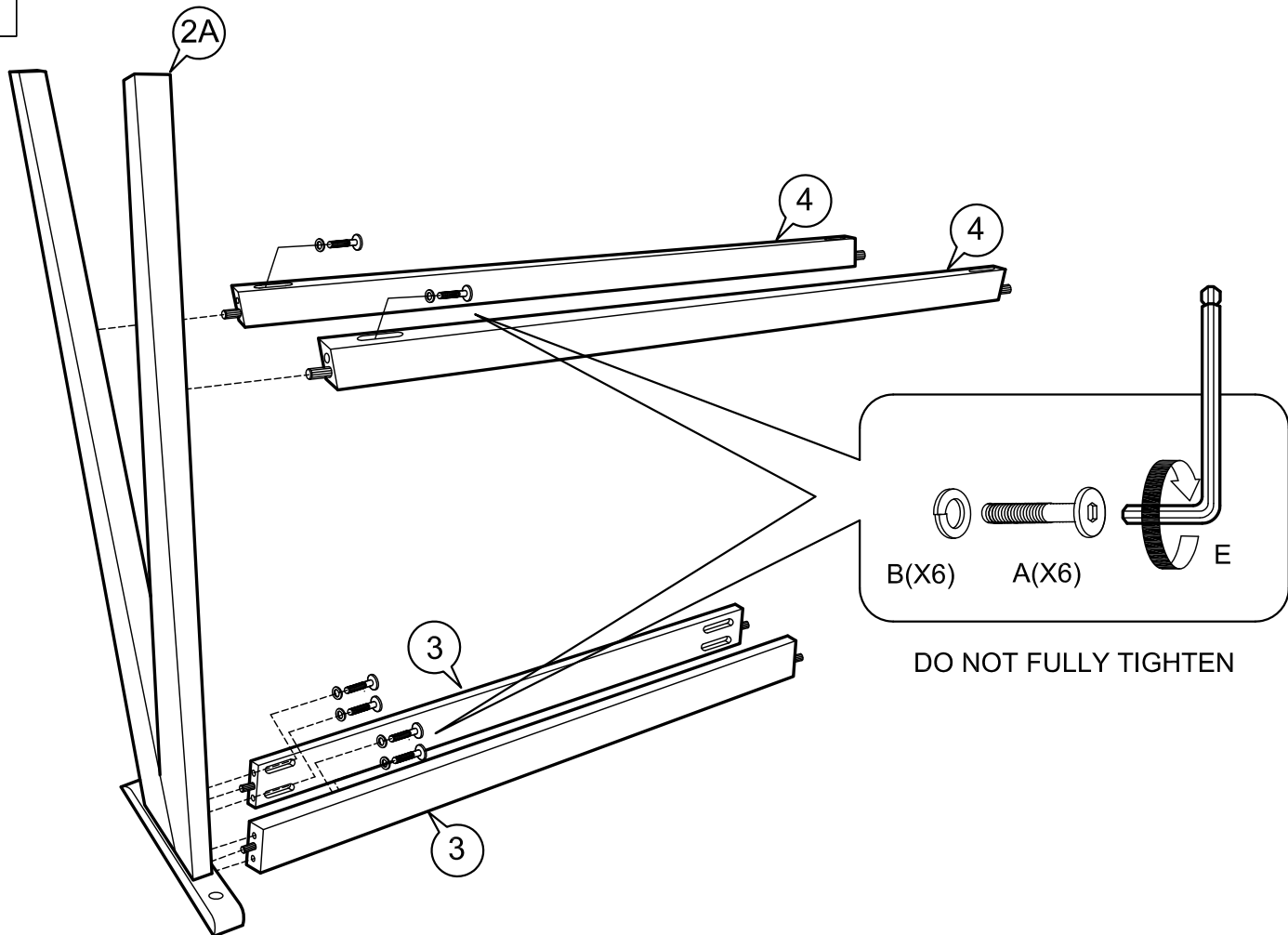
B 5/16" = 12



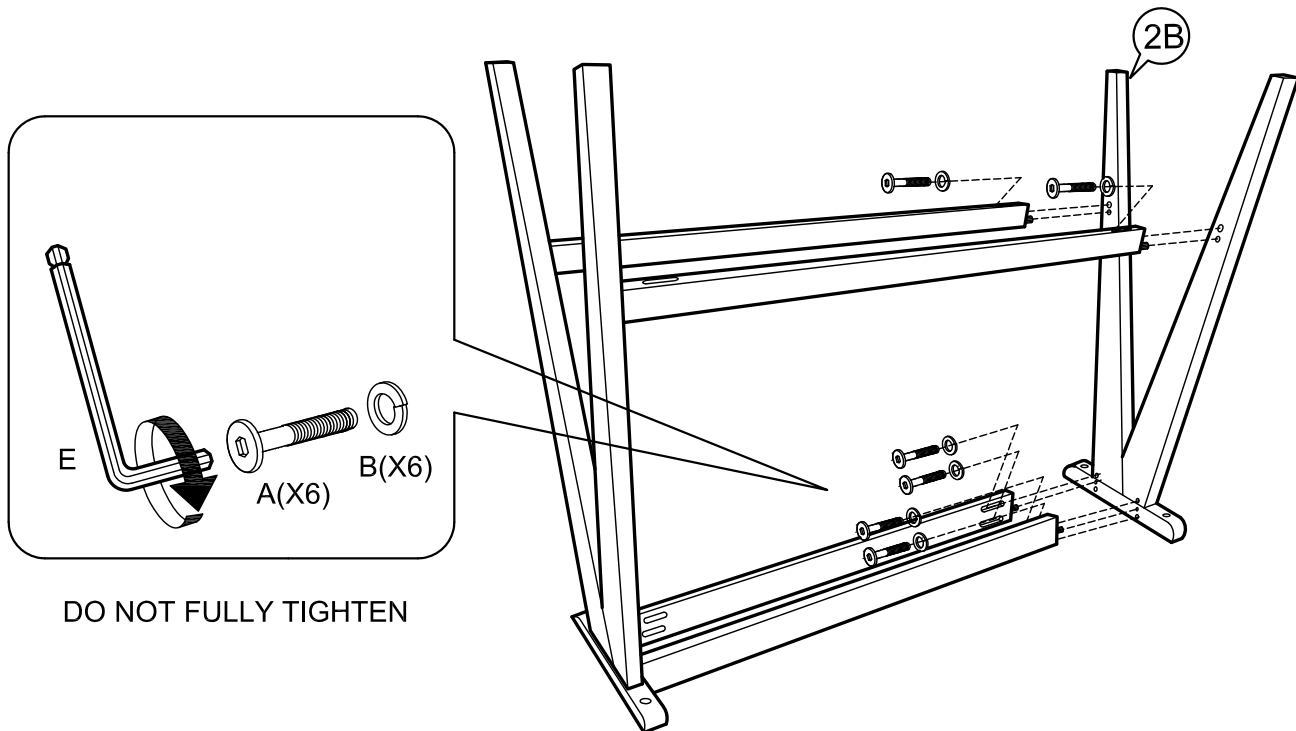
D M8 x 30mm = 8



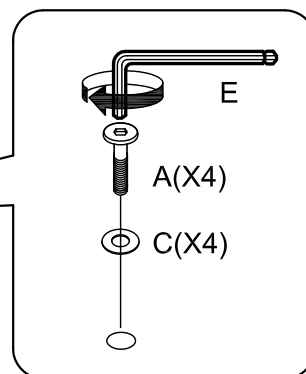
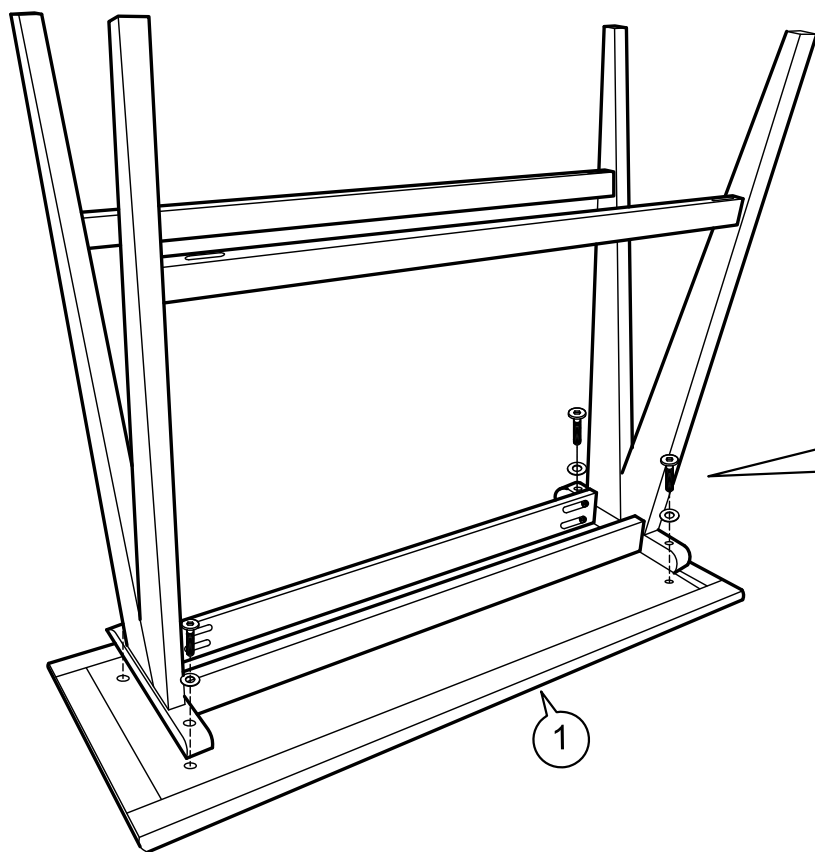
2



3



4



DO NOT FULLY TIGHTEN

5



FULLY TIGHTEN ALL BOLTS