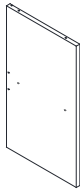
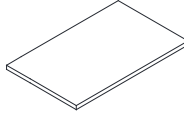


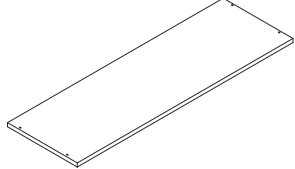
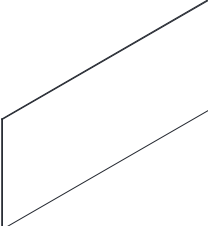
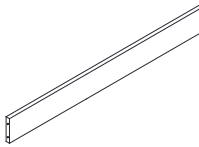
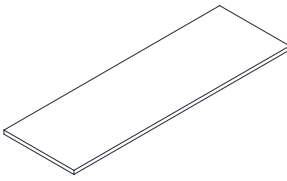
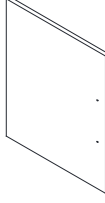


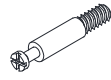

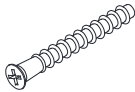


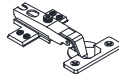


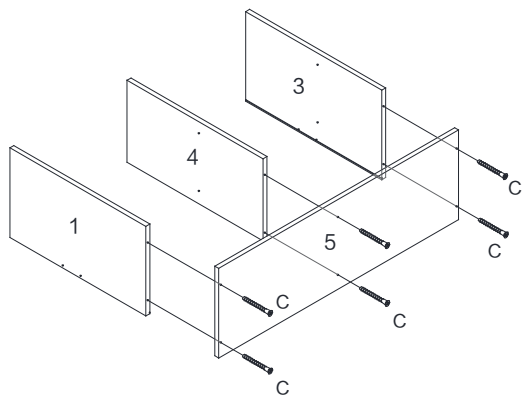


230-000238

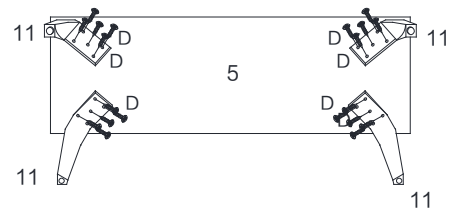
<p>1</p>  <p>X1</p>	<p>2</p>  <p>X2</p>	<p>3</p>  <p>X1</p>	<p>4</p>  <p>X1</p>	<p>5</p>  <p>X1</p>
<p>6</p>  <p>X2</p>	<p>7</p>  <p>X1</p>	<p>8</p>  <p>X1</p>	<p>9</p>  <p>X2</p>	<p>10</p>  <p>X2</p>
<p>11</p>  <p>X4</p>	<p>A</p>  <p>B</p>  <p>X6</p>	<p>C (6.3X50)</p>  <p>D</p>  <p>X10</p> <p>(4X16) X20</p>	<p>E (3.5X12)</p>  <p>F</p>  <p>X24</p>	<p>G (4x35)</p>  <p>H</p>  <p>X4</p> <p>X8</p>

Step 1



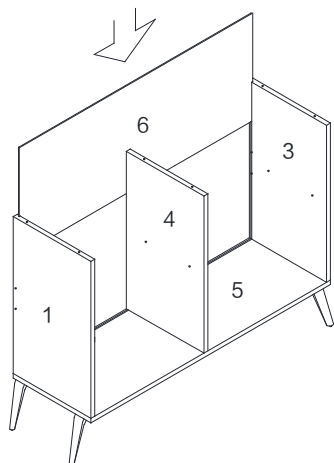
C x6

Step 2

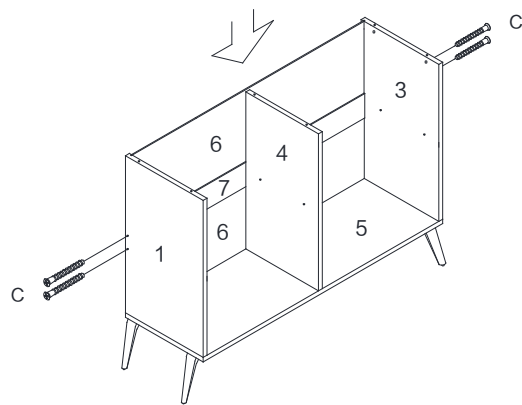


D x20

Step 3

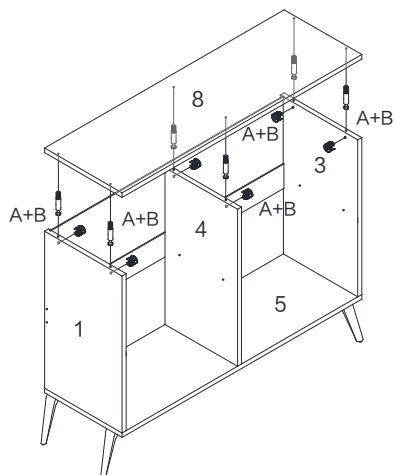


Step 4



C x4

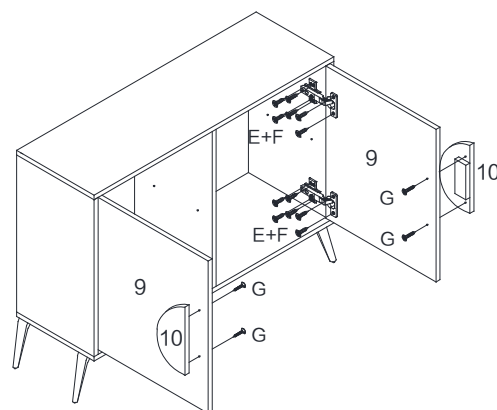
Step 5



A x6

B x6

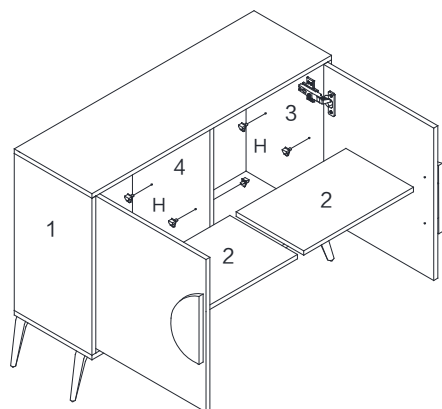
Step 6



E x24

G x4

Step 7



H x8

Complete

