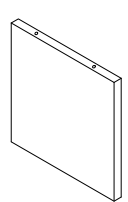

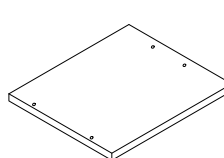
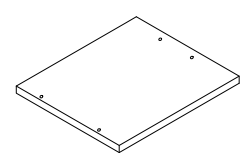
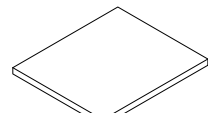
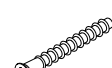



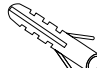
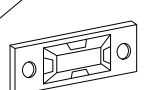
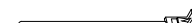


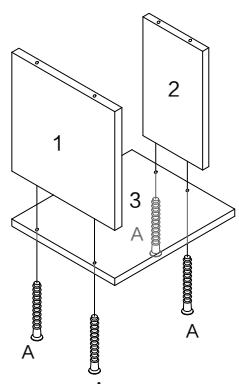


# 230-000172

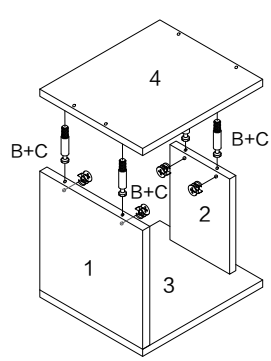
<p>1</p>  <p>X5</p>	<p>2</p>  <p>X5</p>	<p>3</p>  <p>X1</p>	<p>4</p>  <p>X4</p>
<p>5</p>  <p>X1</p>	<p>A (6.3X50)</p>  <p>X20</p>	<p>B</p>  <p>X20</p> <p>C</p>  <p>X20</p>	<p>D</p>  <p>X4</p>
<p>E Wall Plug</p>  <p>X2</p> <p>F</p>  <p>Wall Strap Holder X2</p>	<p>G Wall Strap</p>  <p>X2</p>	<p>H (4x35) Screw</p>  <p>X2</p>	<p>I (3.5x16)</p>  <p>X2</p>

**Step 1**



A x4

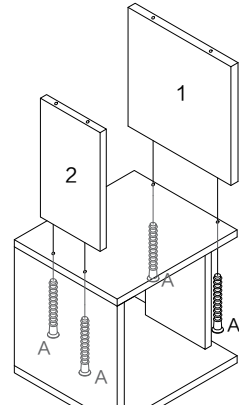
**Step 2**



B x4

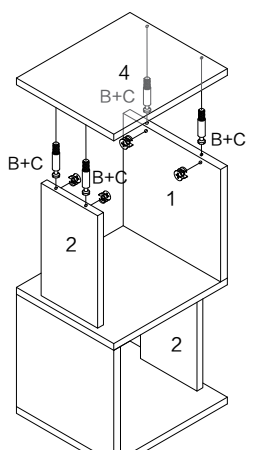
C x4

**Step 3**



A x4

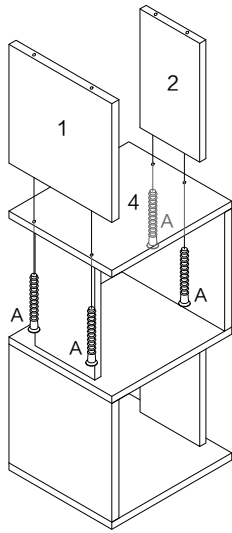
**Step 4**



B x4

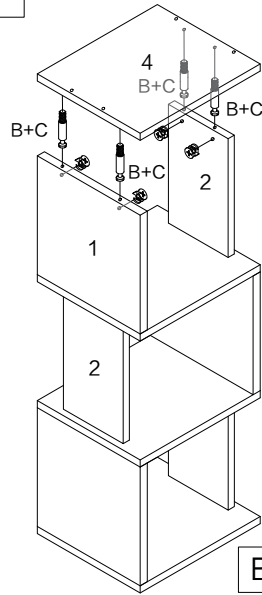
C x4

### Step 5



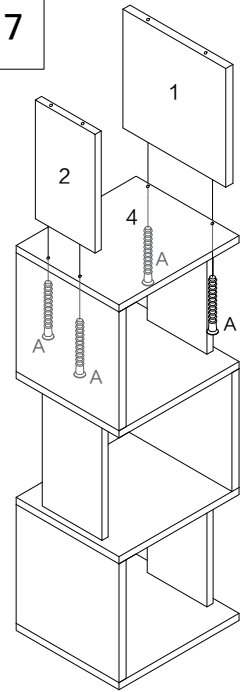
A x4

### Step 6



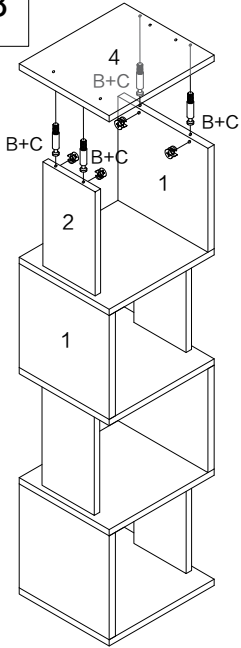
B x4  
C x4

### Step 7



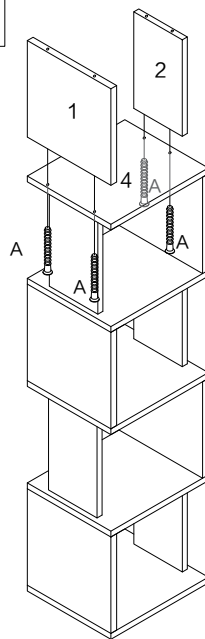
A x4

### Step 8



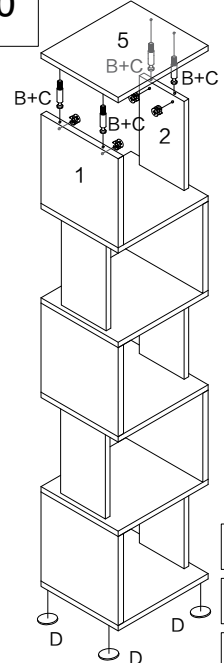
B x4  
C x4

### Step 9



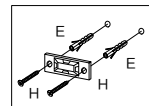
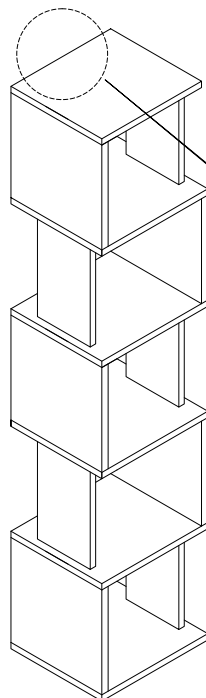
A x4

### Step 10

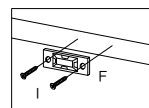


B x4  
C x4  
D x4

### Complete



Wall



Board

