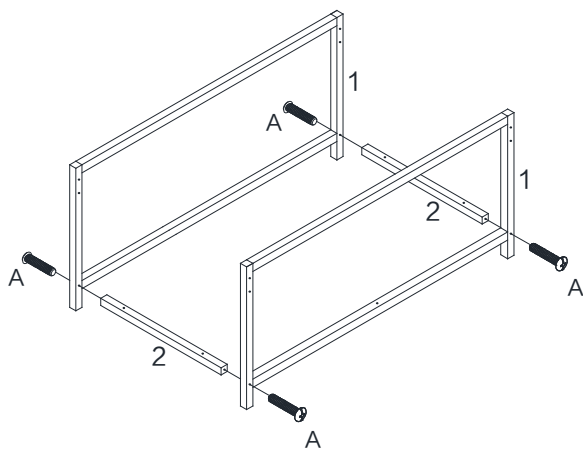


230-000139

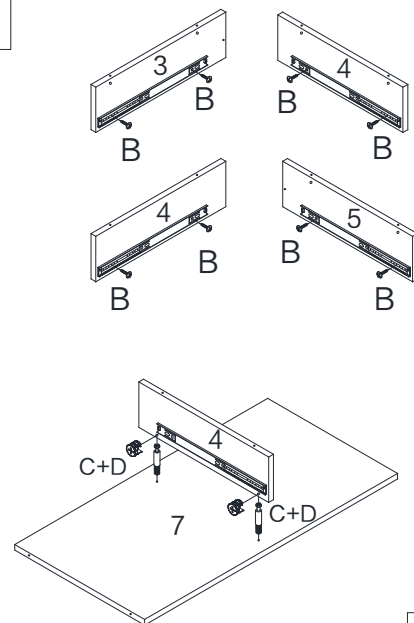
| | | | | |
|--------------------------|-------------------------|--------------------------|--------------------------|-----------------------|
| 1 X2 | 2 X2 | 3 45*15 X1 | 4 43.5*13.5 X1 | 5 45*15 X1 |
| 6 94.5*14.5 X1 | 7 94*47 X1 | 8 94.5*11.5 X1 | 9 94.5*11.5 X1 | 10 42*10 X1 |
| 11 42*10 X1 | 12 45*11.5 X2 | 13 94.5*42 X2 | 14 46.5*13 X2 | 15 32*9 X2 |
| 16 32*9 X2 | 17 44.5*9 X2 | 18 42.5*33 X2 | 19 100*50 X1 | A (6X35) X4 |
| B (3.5X12) X44 | C X44 | D X44 | E (6X20) X2 | F (6.3X50) X4 |
| G (5X60) X12 | H (5X50) X8 | I X2 | J X4 | K X1 |
| | | | | M X1 |
| | | | | N X1 |

Step 1



A x4

Step 2

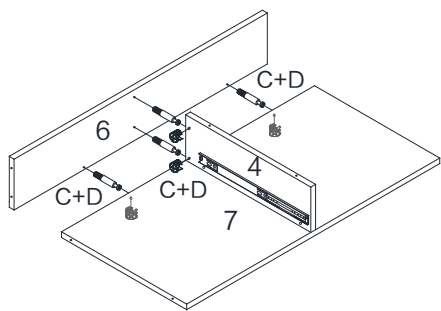


B x8

C x2

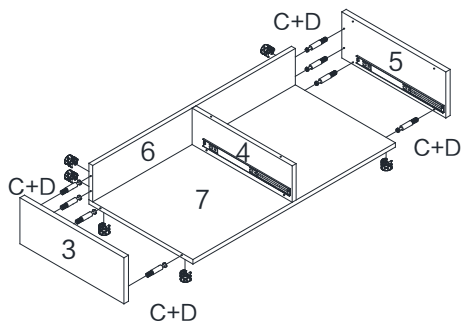
D x2

Step 3

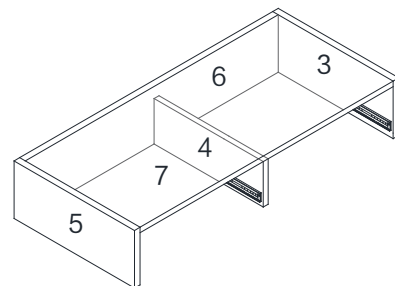


| | |
|---|----|
| C | x6 |
| D | x6 |

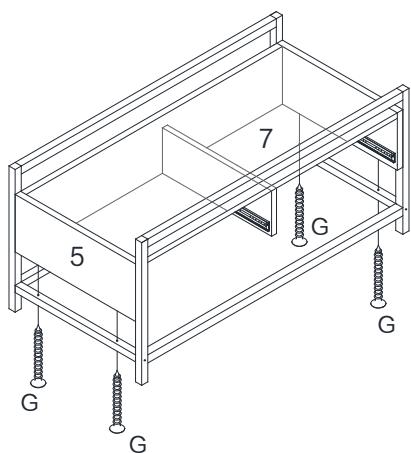
Step 4



| | |
|---|----|
| C | x8 |
| D | x8 |

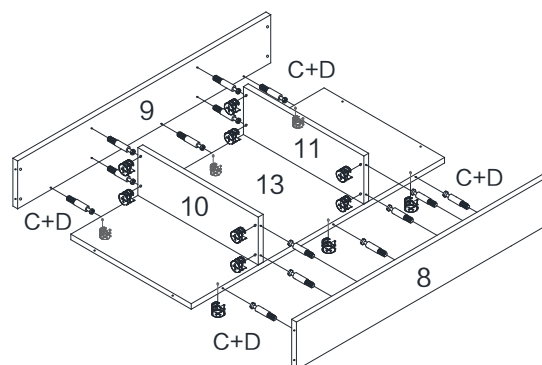


Step 5



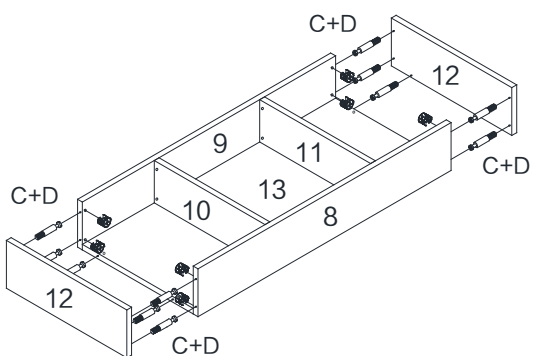
| | |
|---|----|
| G | x4 |
|---|----|

Step 6



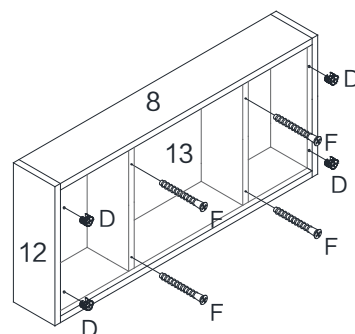
| | |
|---|-----|
| C | x14 |
| D | x14 |

Step 7



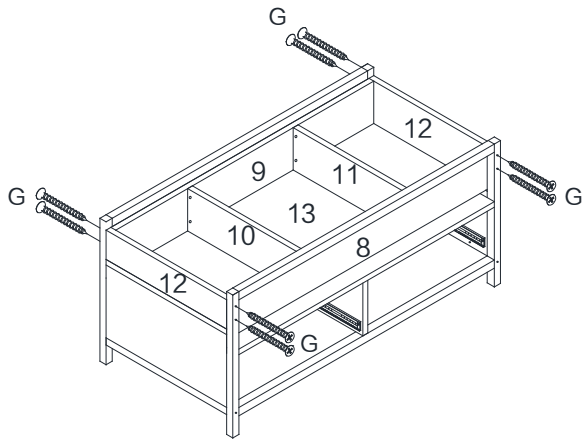
| | |
|---|-----|
| C | x12 |
| D | x8 |

Step 8



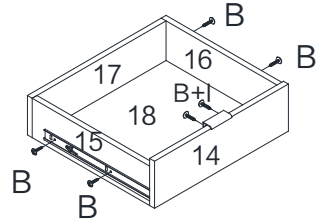
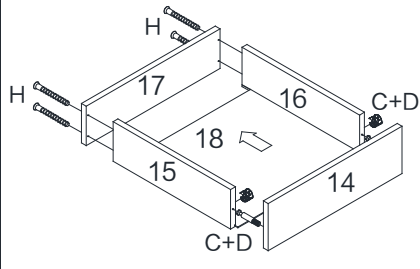
| | |
|---|----|
| C | x4 |
| F | x4 |

Step 9



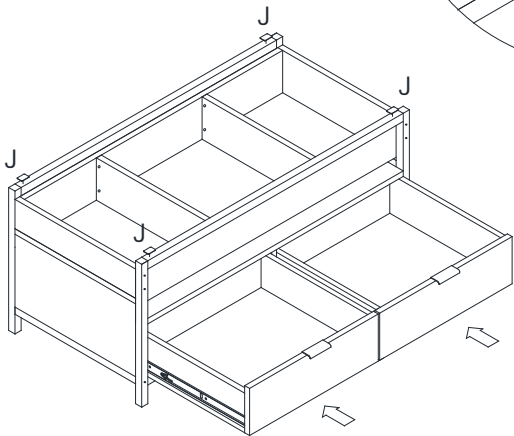
G x8

Step 10



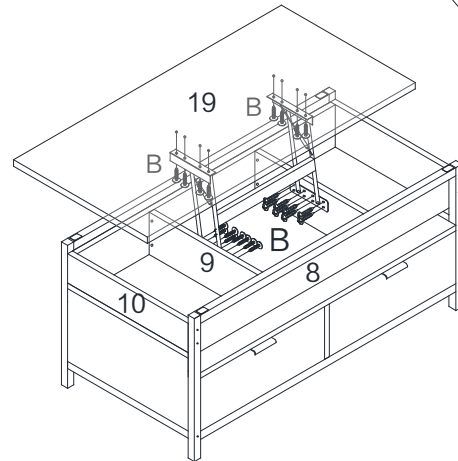
| | | | |
|---|----|---|----|
| B | x6 | D | x2 |
| C | x2 | H | x4 |

Step 11



J x4

Step 12



| | |
|---|-----|
| B | x24 |
| E | x2 |

Complete

