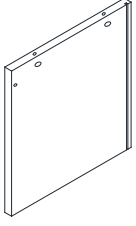
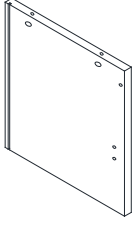
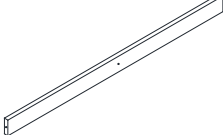
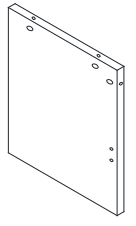
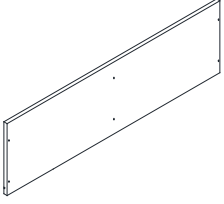
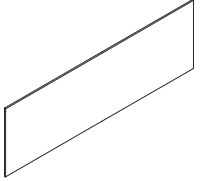
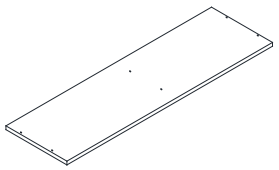
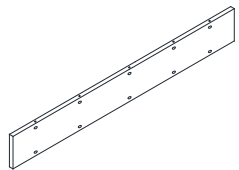
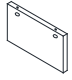
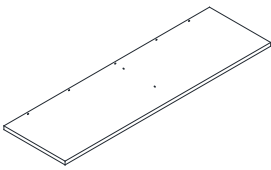
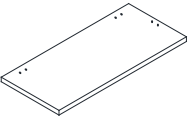
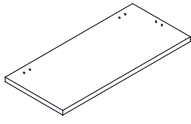
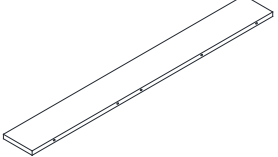
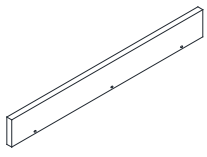
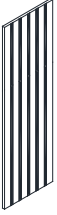



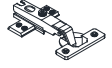



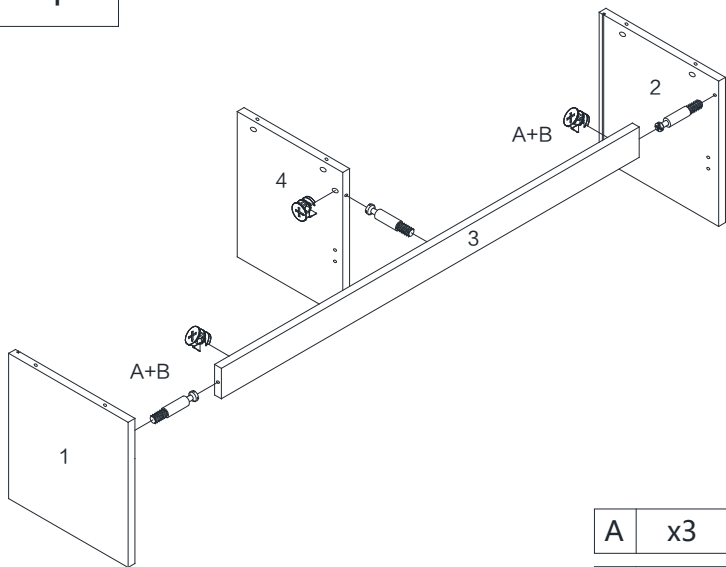


230-000099

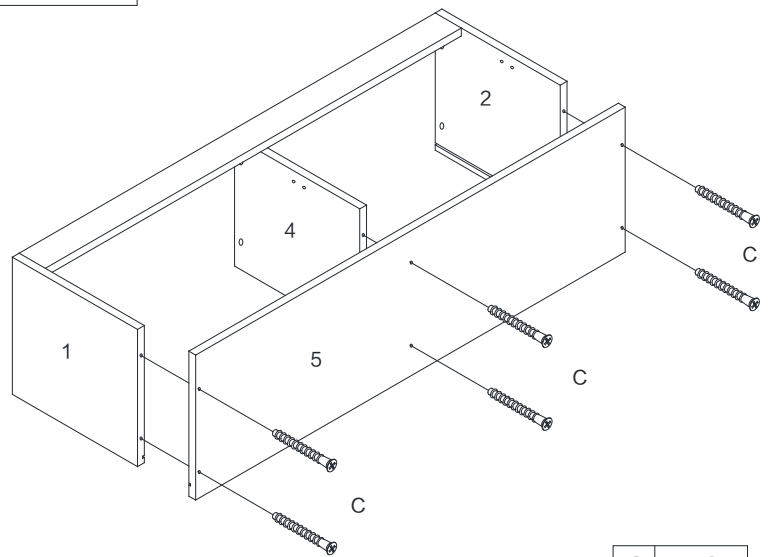
1  x1	2  x1	3  x1	4  x1	5  x1
6  x1	7  x1	8  x1	9  x1	10  x1
11  x1	12  x1	13  x1	14  x1	15  x1
A  x23	B  x23	C (6.3x50mm)  x11	D  x4	E  x2
F (3.5x12mm)  x32	G  x6			

Step 1



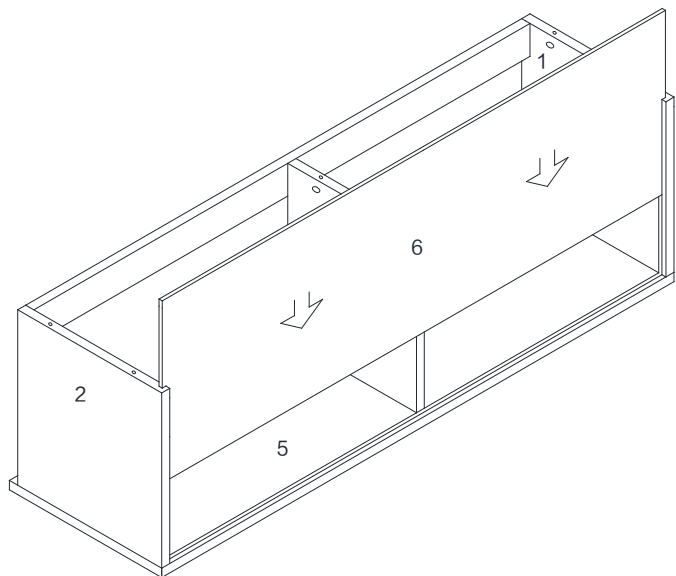
A	x3
B	x3

Step 2

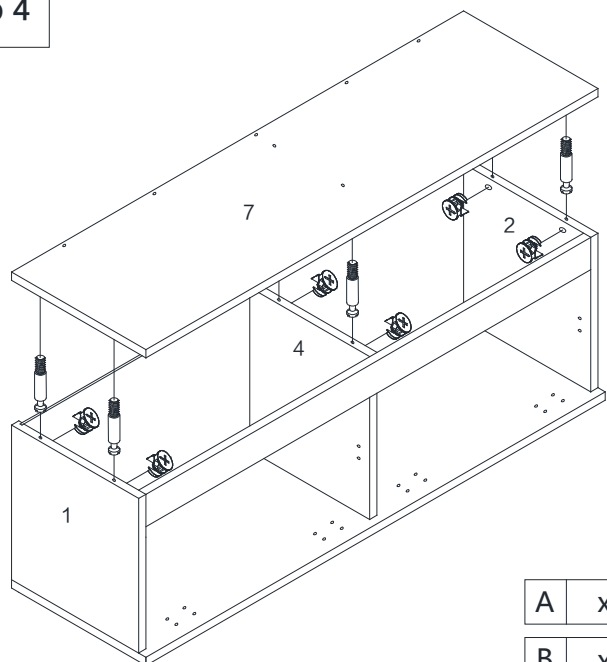


C	x6
---	----

Step 3



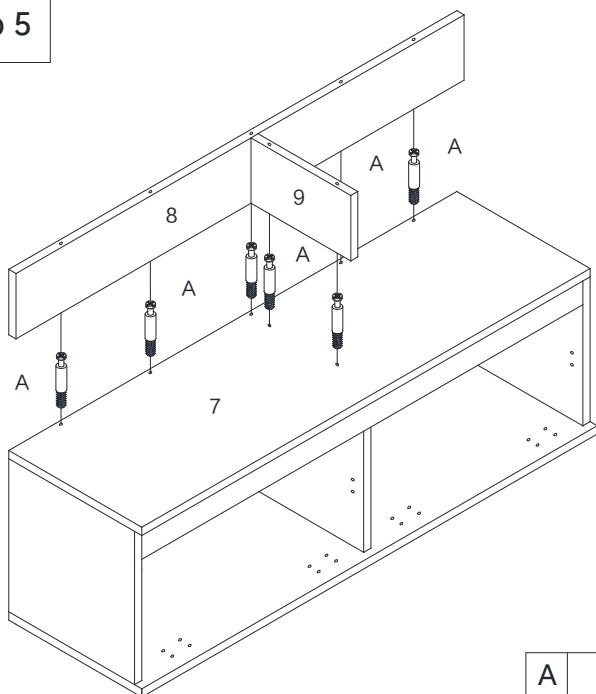
Step 4



A x6

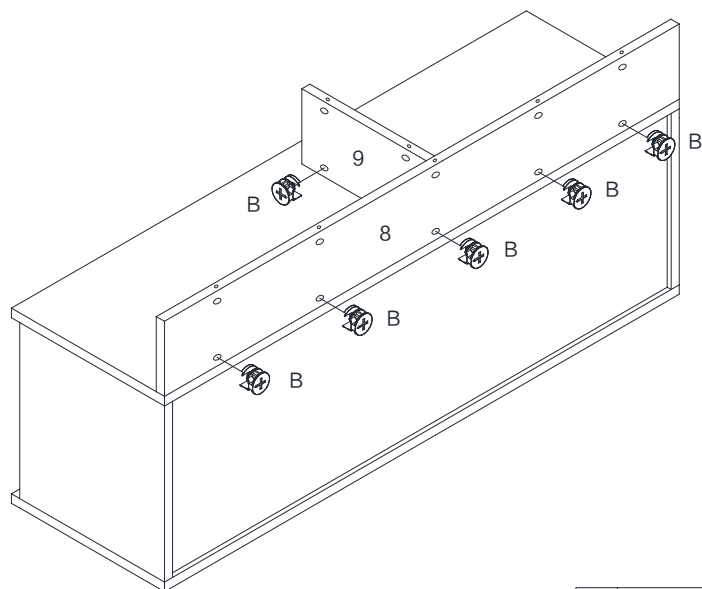
B x6

Step 5



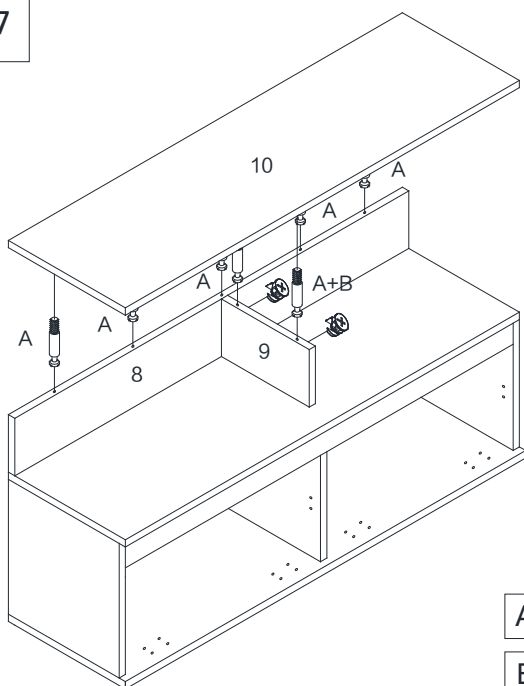
A x7

Step 6



B x7

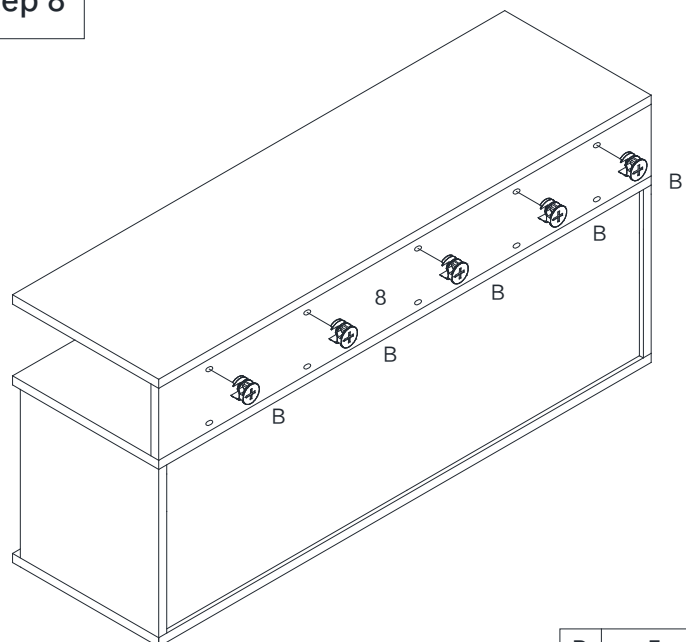
Step 7



A x7

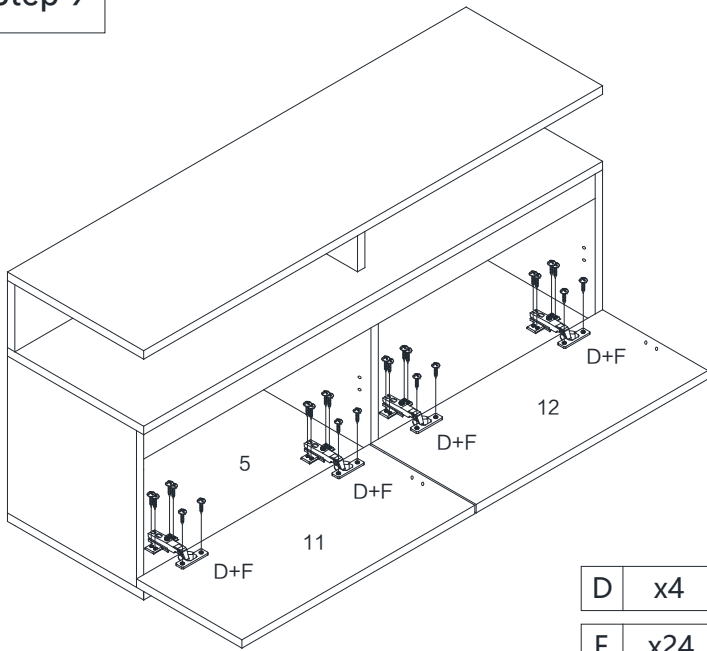
B x2

Step 8



B x5

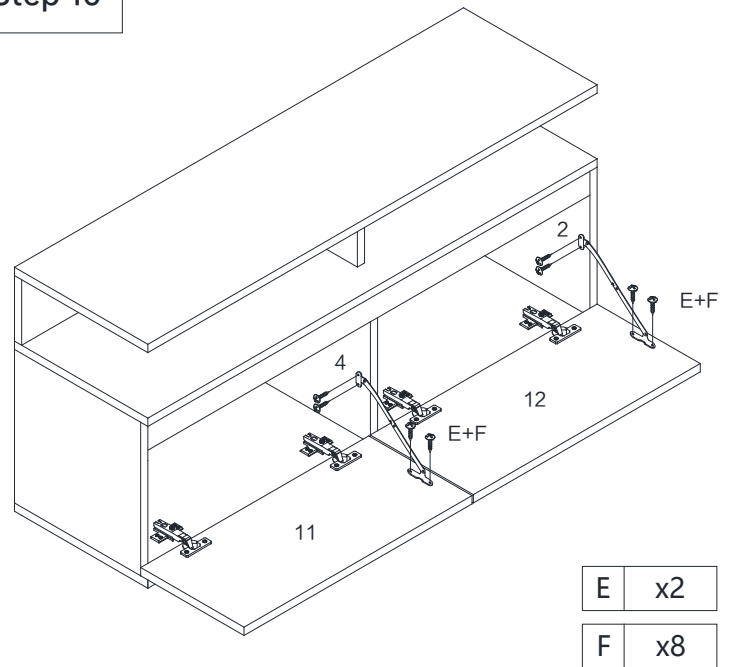
Step 9



D x4

F x24

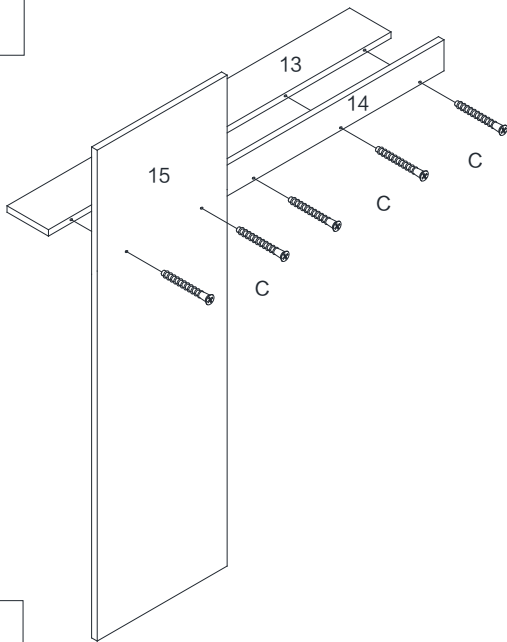
Step 10



E x2

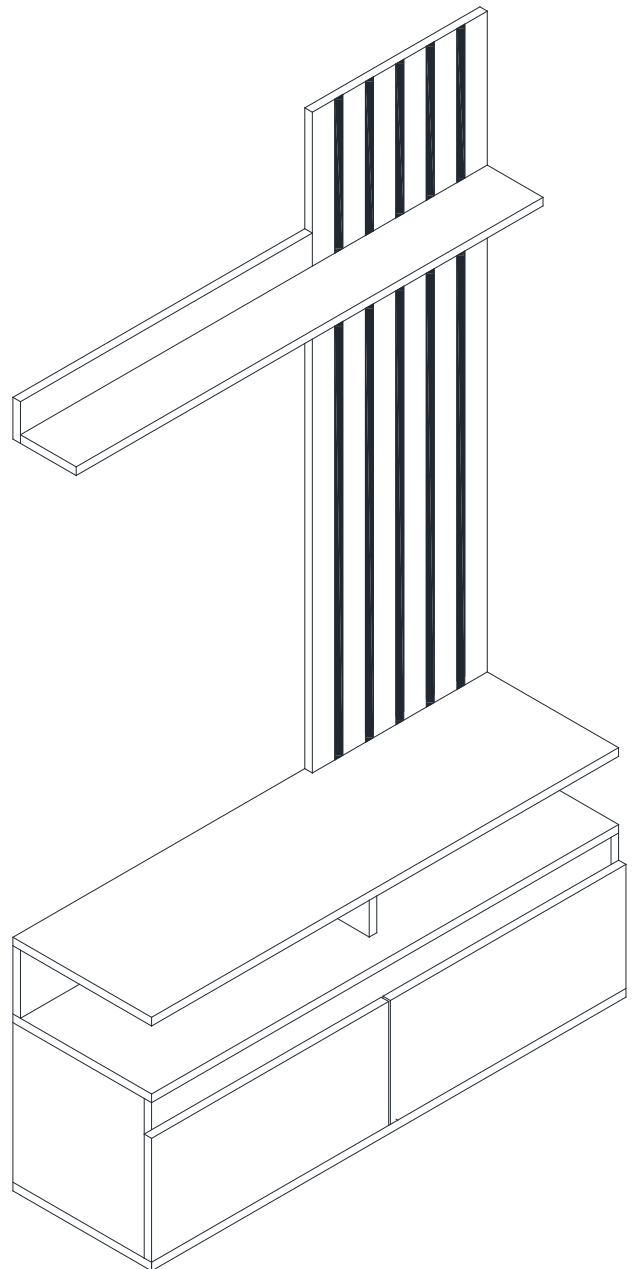
F x8

Step 11

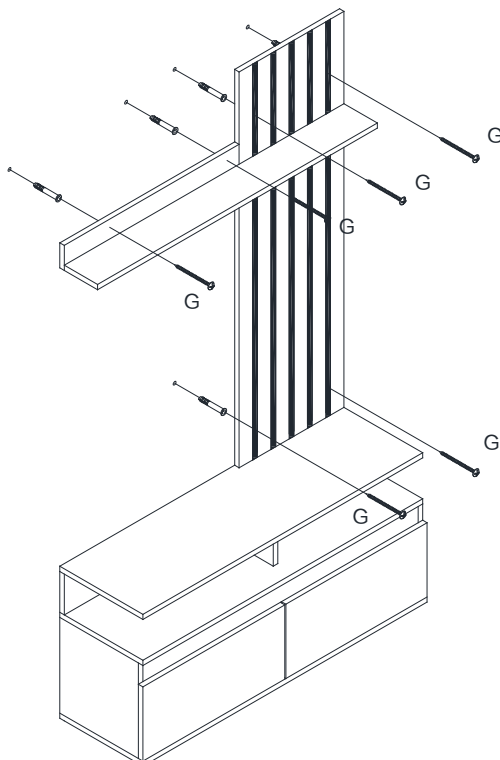


C x5

Complete



Step 12



G x6