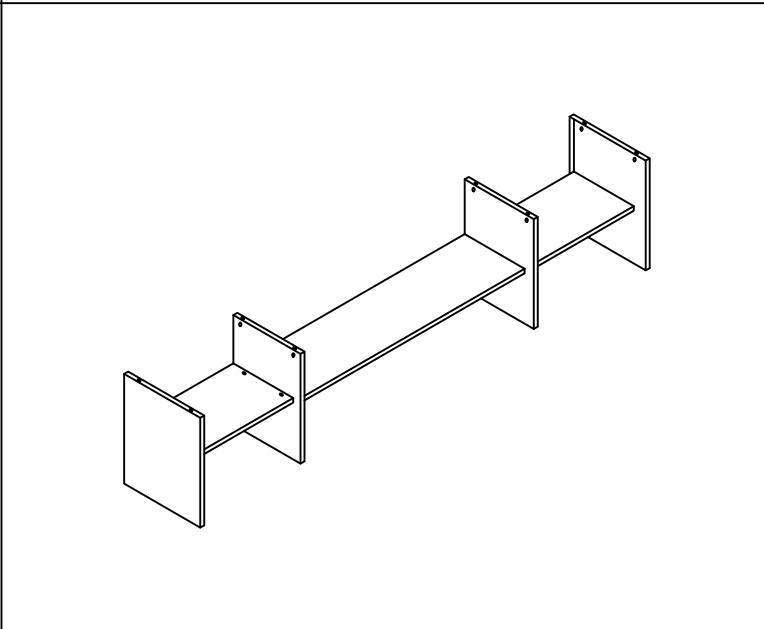
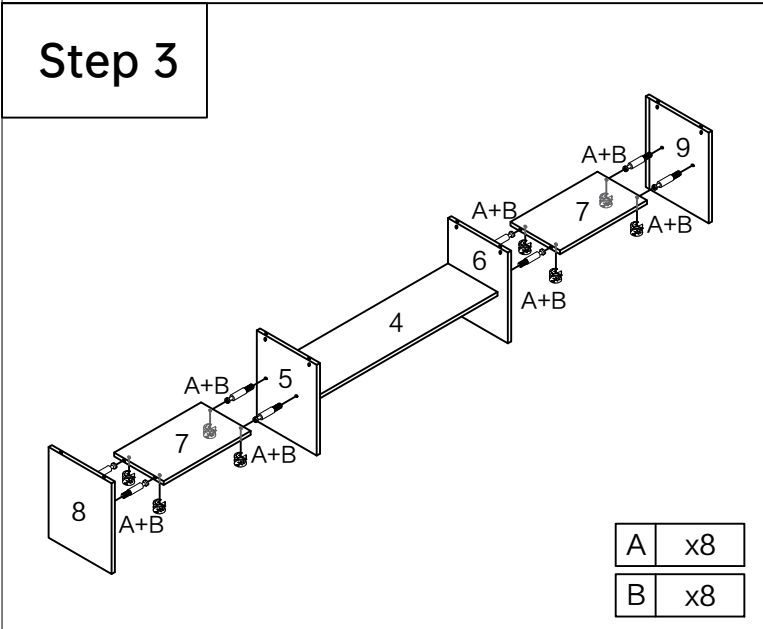
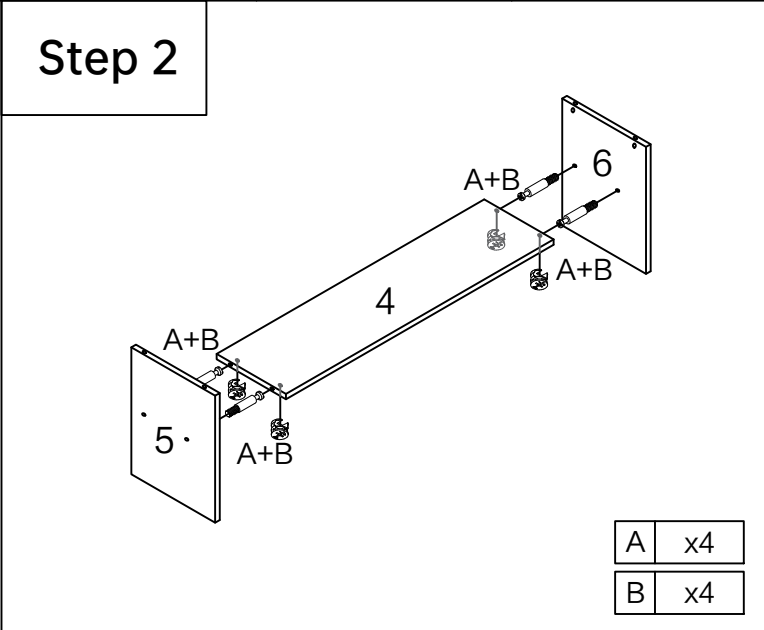
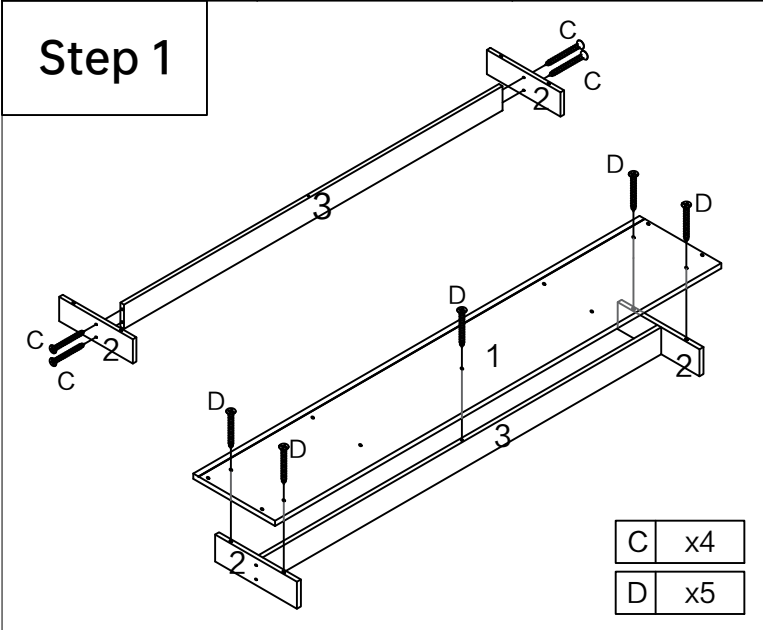
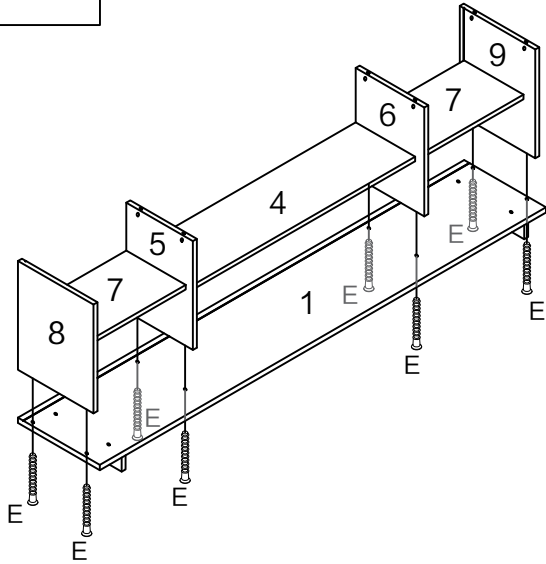


1  x1	2  x2	3  x1	4  x1	5  x1	6  x1			
7  x2	8  x1	9  x1	10  x1	11  x1	12  x2			
13  x2	A  x20	B  x20	C (6X60)  x4	D  (5X50) x5	E (6.3X50)  x8	F  x48	G  x4	H  x4

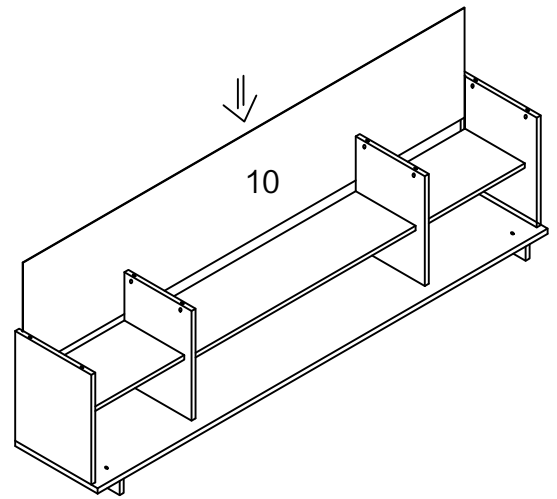


### Step 4

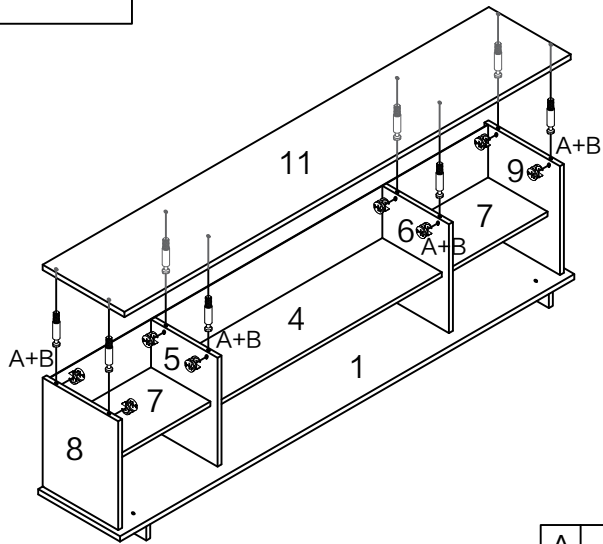


C x8

### Step 5



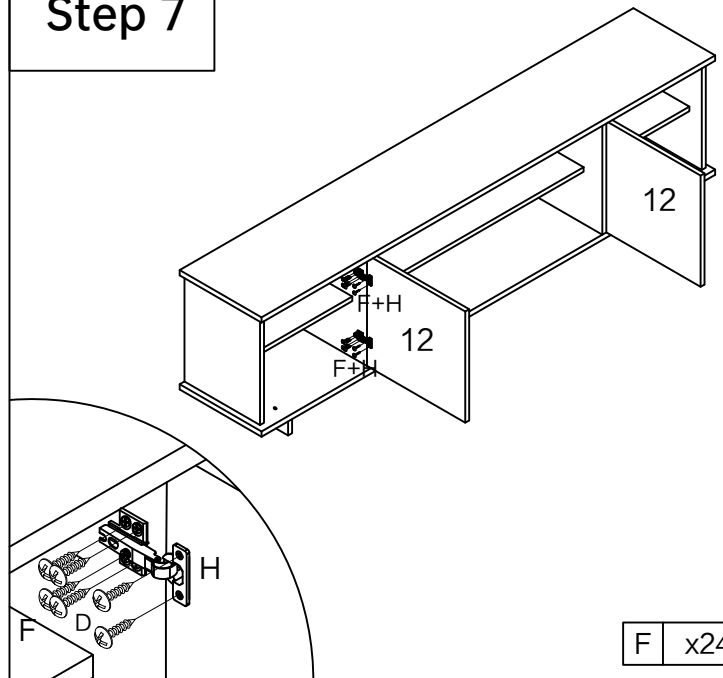
### Step 6



A x8

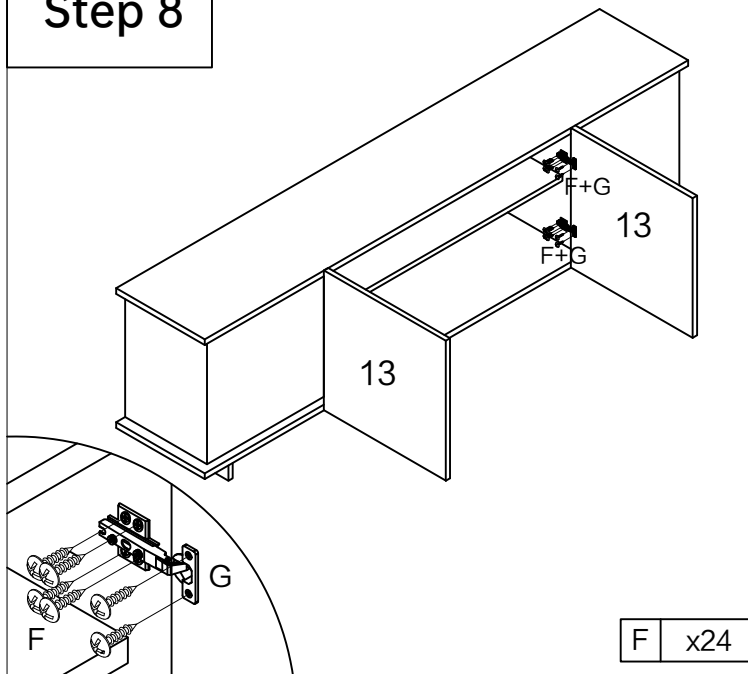
B x8

### Step 7



F x24

### Step 8



F x24

### Complete

