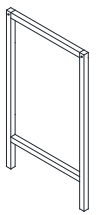
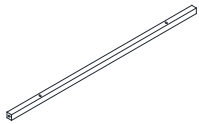
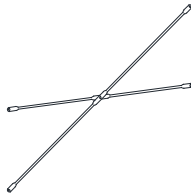
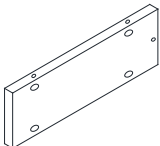
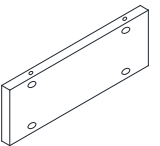
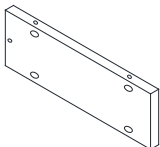
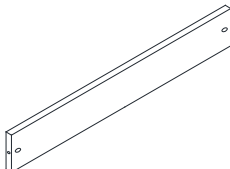
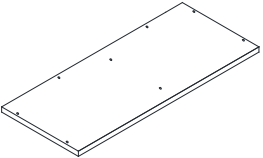
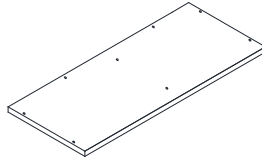
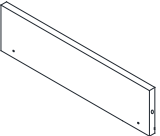
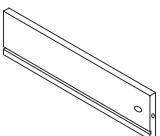
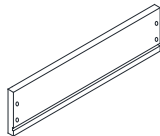
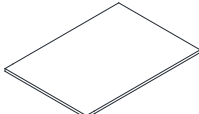
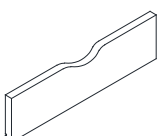
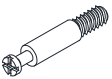


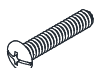




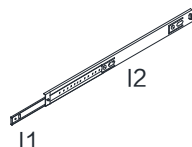

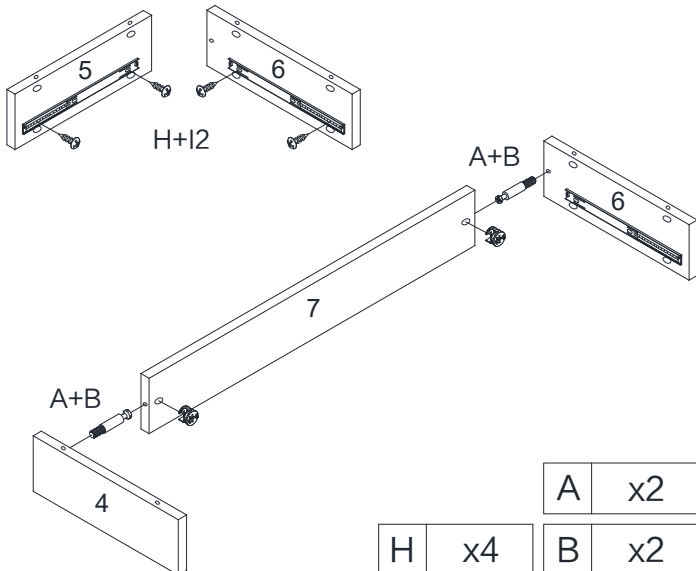
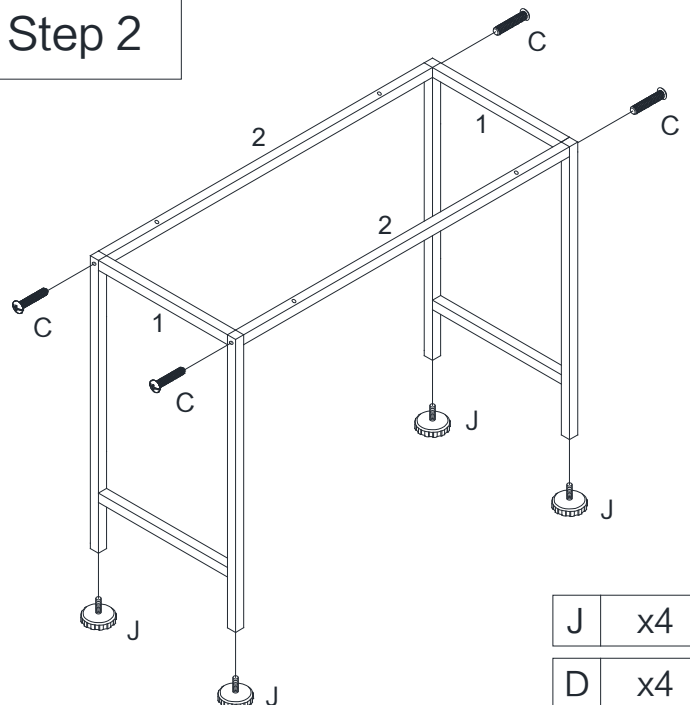


1  x2	2  x2	3  x1	4  x1	5  x1
6  x1	7  x1	8  x1	9  x1	10  x1
11  x1	12  x1	13  x1	14  x1	
A  x20	B  x20	C  (5x50) x4	D  (6x40) x4	E  (6x35) x4
F  (6x10) x5	G  x1	H  (3.5x12) x8	I  l1 l2 x2	J  x4

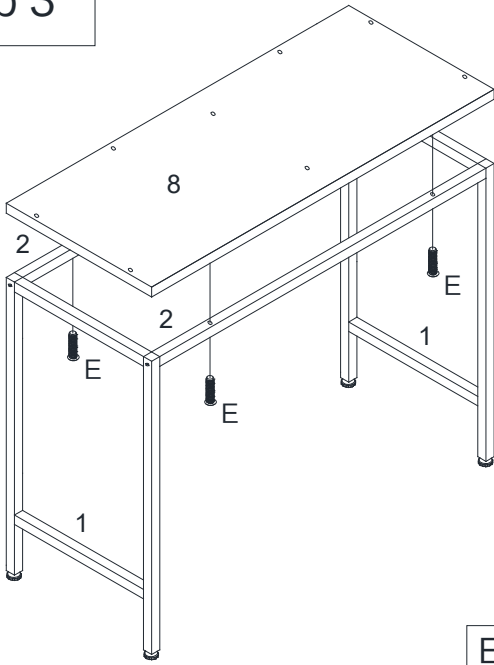
## Step 1



## Step 2

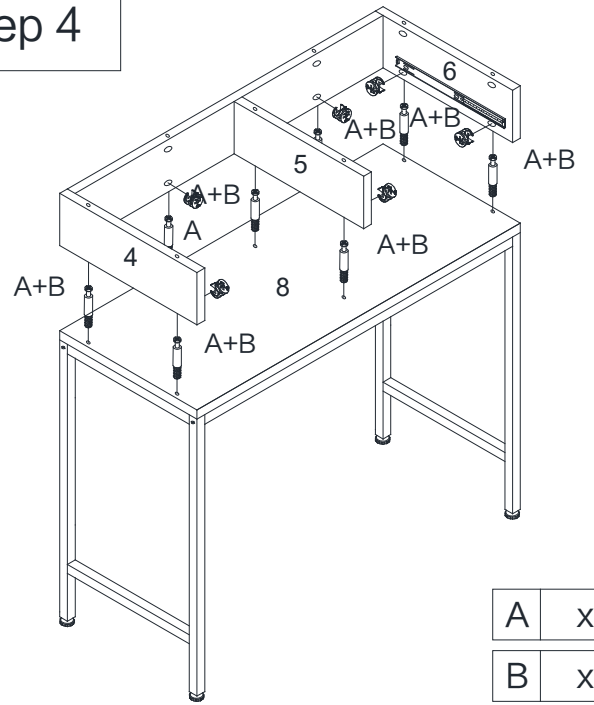


### Step 3



E	x4
---	----

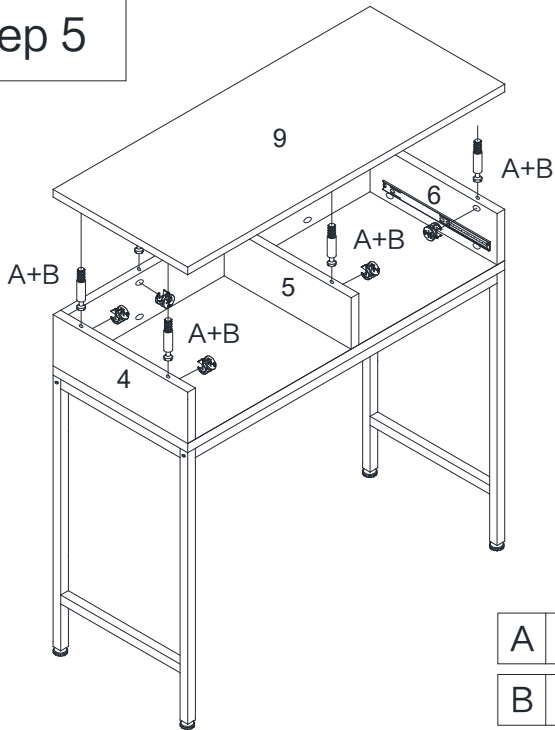
### Step 4



A	x8
---	----

B	x8
---	----

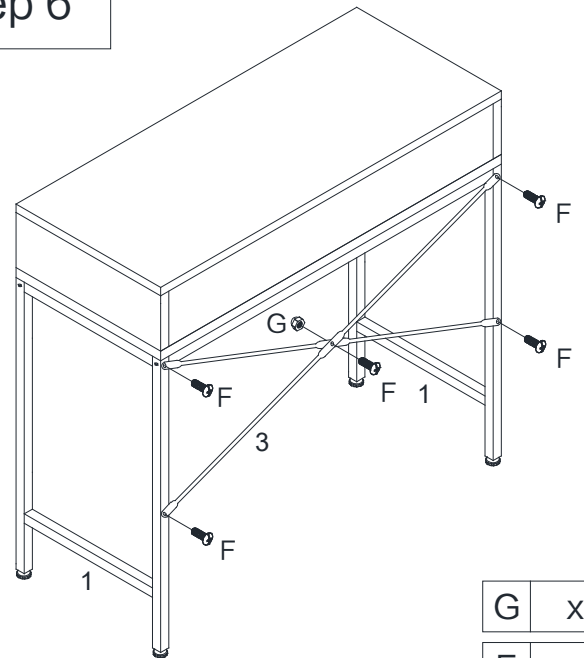
### Step 5



A	x8
---	----

B	x8
---	----

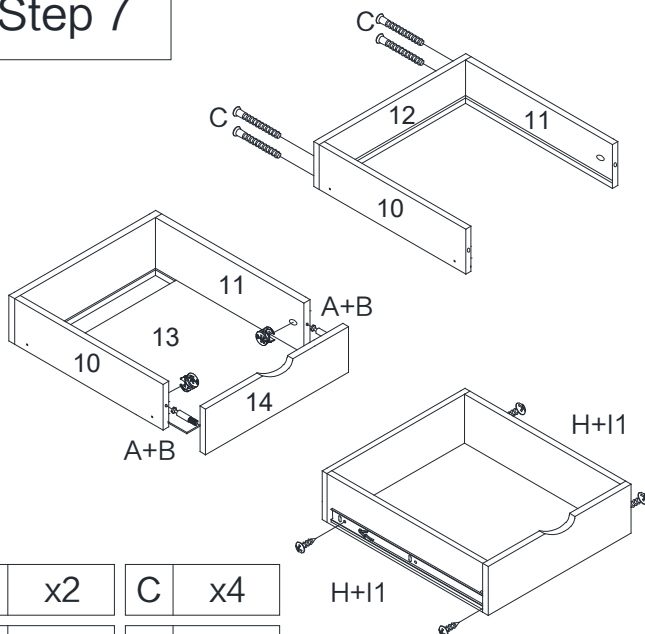
### Step 6



G	x1
---	----

F	x5
---	----

### Step 7



A	x2	C	x4
---	----	---	----

B	x2	H	x4
---	----	---	----

### Complete

