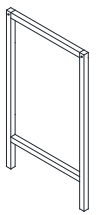
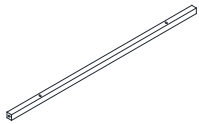
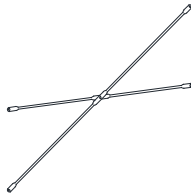
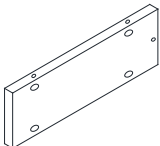
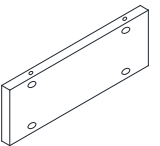
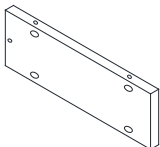
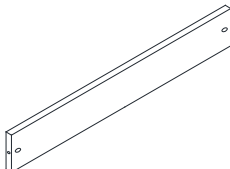
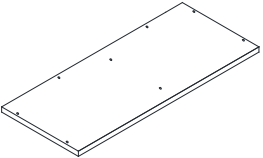
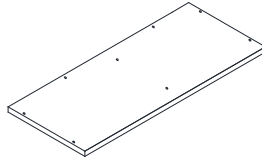
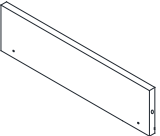
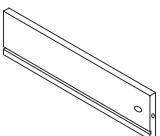
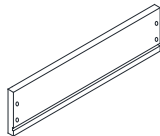
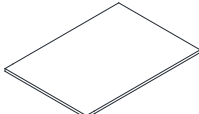
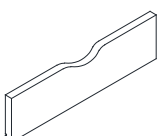
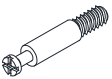


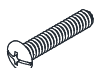




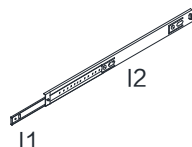

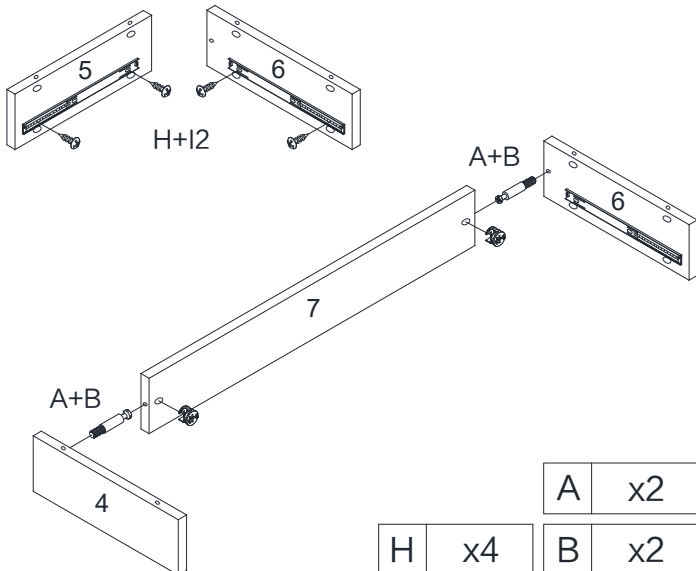
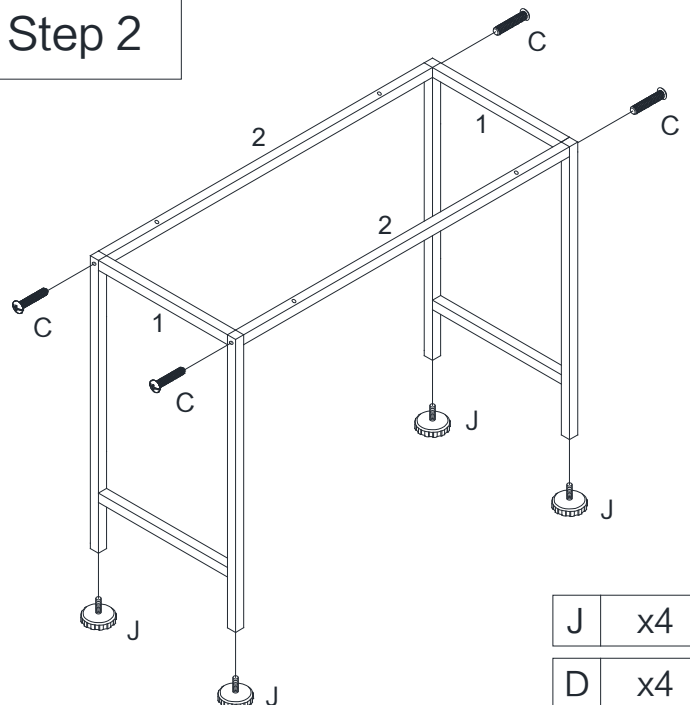


1  x2	2  x2	3  x1	4  x1	5  x1
6  x1	7  x1	8  x1	9  x1	10  x1
11  x1	12  x1	13  x1	14  x1	
A  x20	B  x20	C  (5x50) x4	D  (6x40) x4	E  (6x35) x4
F  (6x10) x5	G  x1	H  (3.5x12) x8	I  l1 l2 x2	J  x4

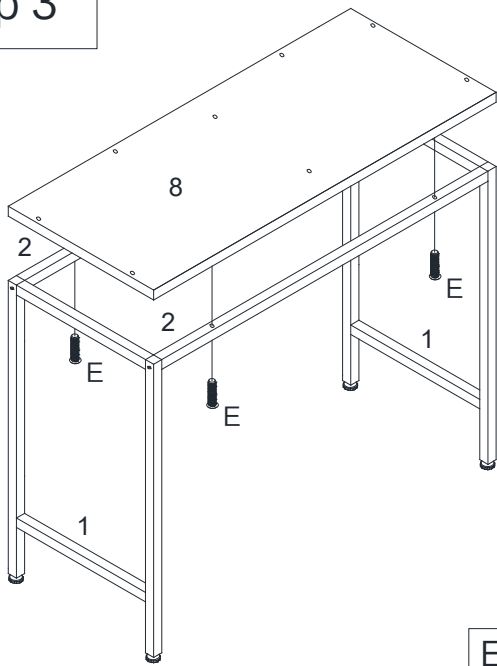
Step 1



Step 2

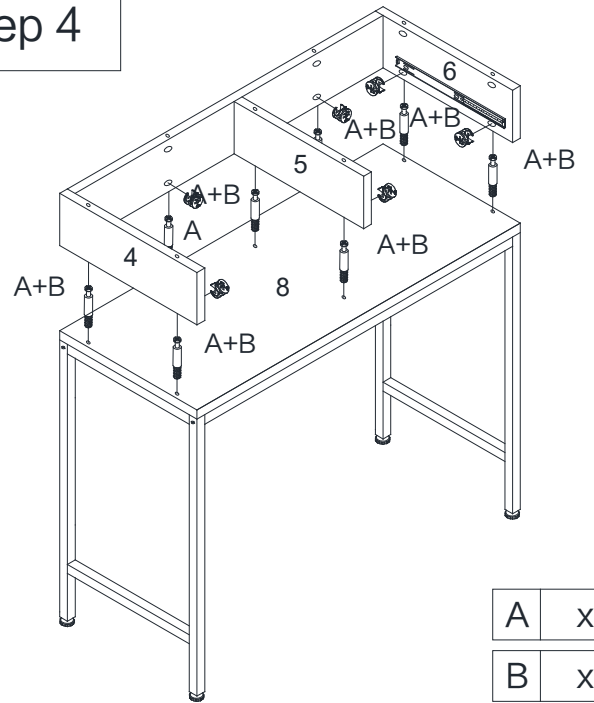


Step 3



E	x4
---	----

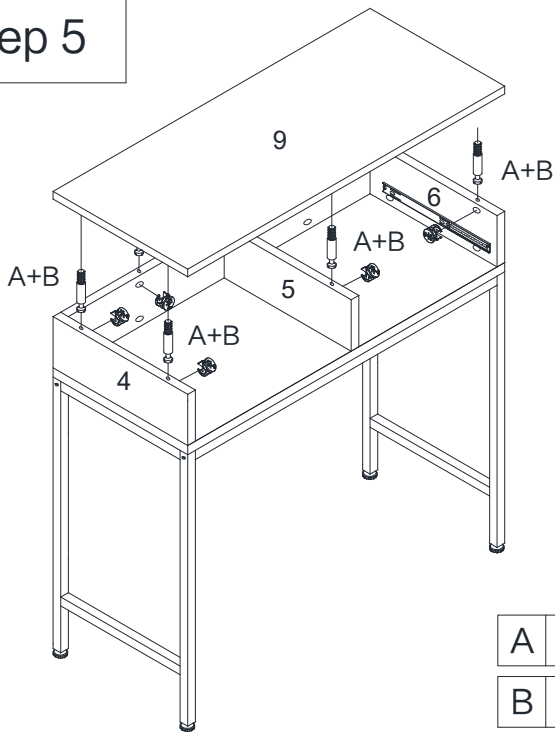
Step 4



A	x8
---	----

B	x8
---	----

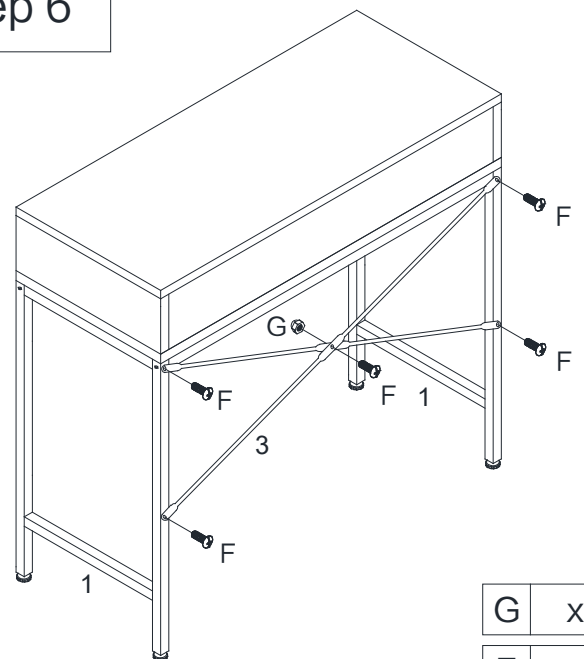
Step 5



A	x8
---	----

B	x8
---	----

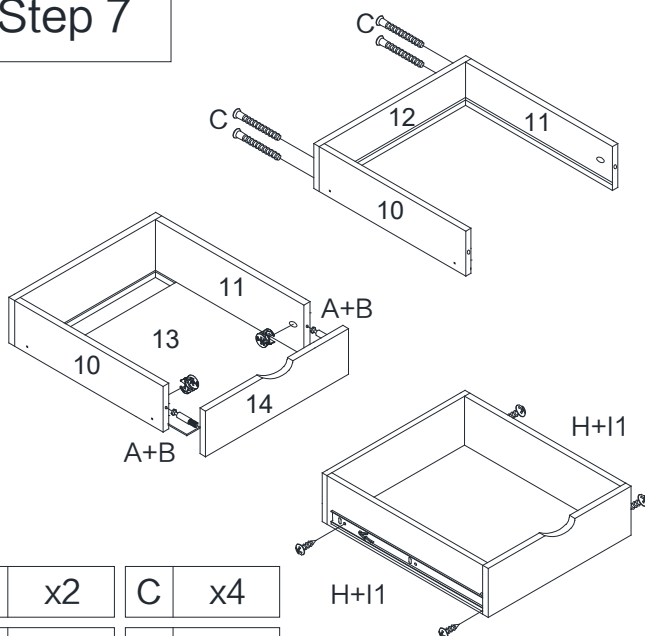
Step 6



G	x1
---	----

F	x5
---	----

Step 7



A	x2
---	----

C	x4
---	----

B	x2
---	----

H	x4
---	----

Complete

