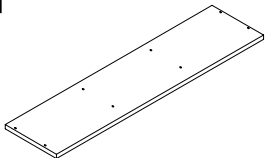
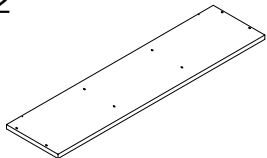
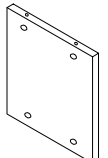
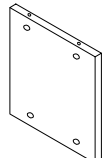
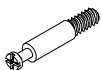




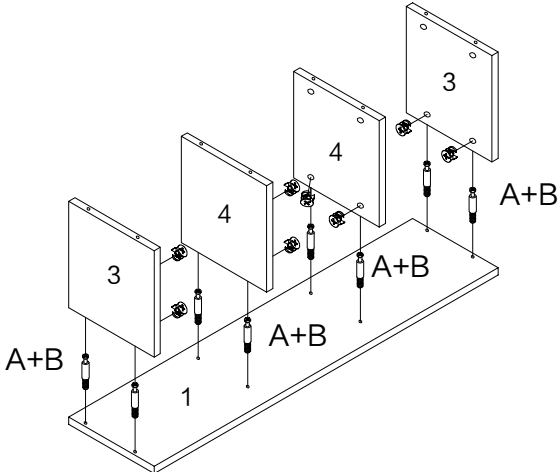


<p>1</p>  <p>x1</p>	<p>2</p>  <p>x1</p>	<p>3</p>  <p>x2</p>	<p>4</p>  <p>x2</p>	<p>A</p>  <p>x16</p>
<p>B</p>  <p>x16</p>	<p>C</p>  <p>x4</p>	<p>D</p>  <p>(3.5x12mm)x4</p>	<p>E</p>  <p>x4</p>	

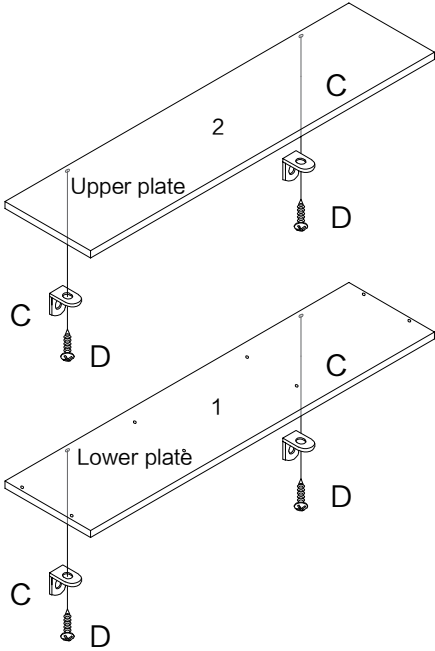
Step 1



A+B

A	x8
B	x8

Step 2

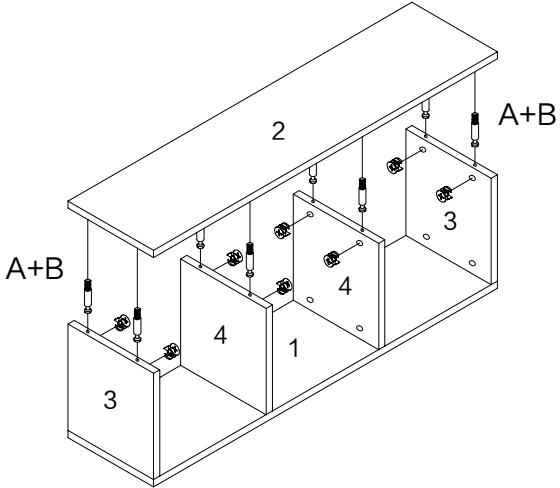


Upper plate

Lower plate

C	x4
D	x4

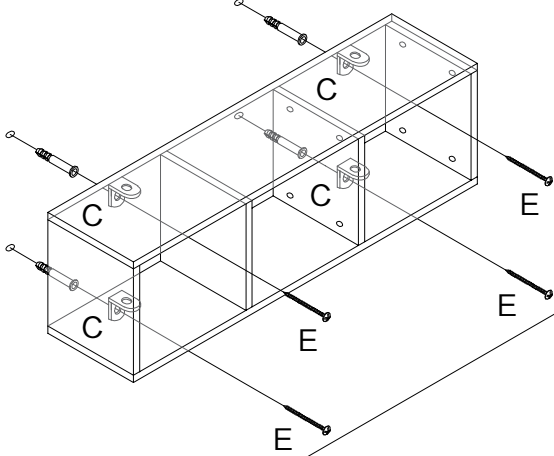
Step 3



A+B

A	x8
B	x8

Complete



E

E	x4
---	----