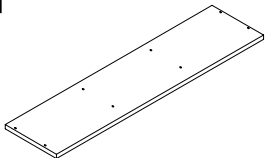
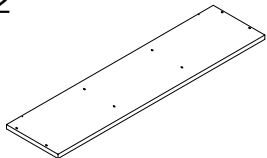
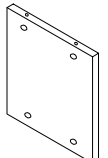
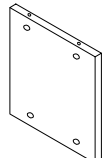
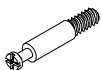




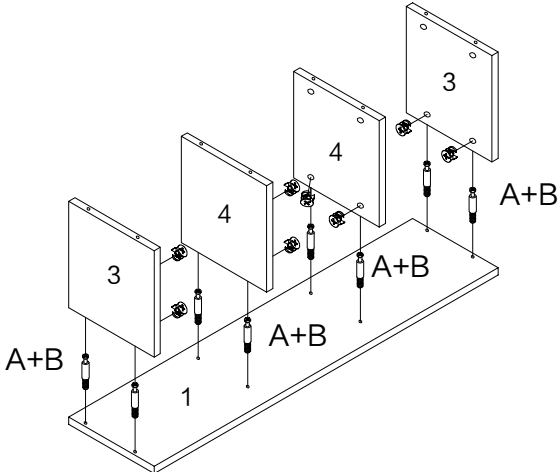


<p>1</p>  <p>x1</p>	<p>2</p>  <p>x1</p>	<p>3</p>  <p>x2</p>	<p>4</p>  <p>x2</p>	<p>A</p>  <p>x16</p>
<p>B</p>  <p>x16</p>	<p>C</p>  <p>x4</p>	<p>D</p>  <p>(3.5x12mm)x4</p>	<p>E</p>  <p>x4</p>	

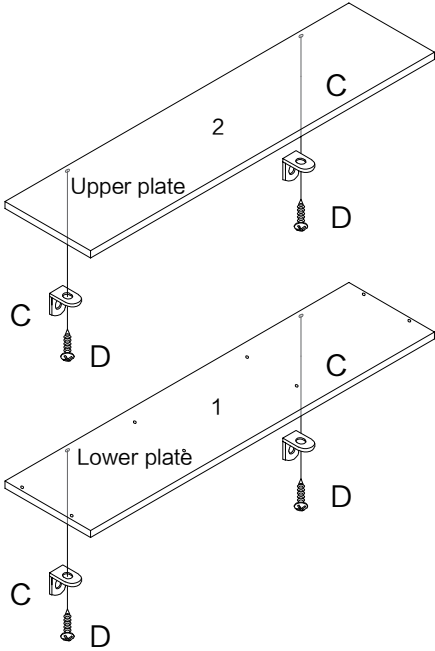
**Step 1**



A+B

A	x8
B	x8

**Step 2**



Upper plate

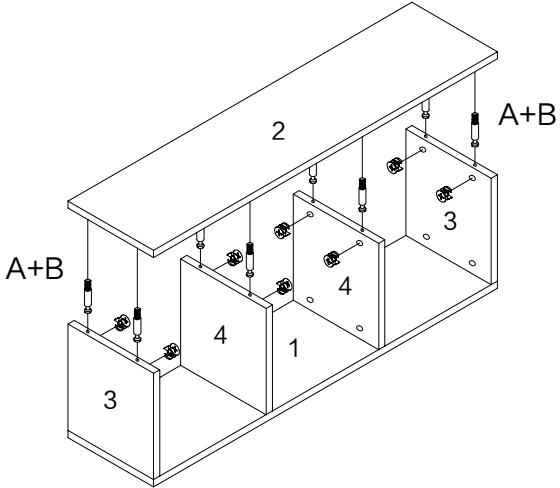
Lower plate

C

D

C	x4
D	x4

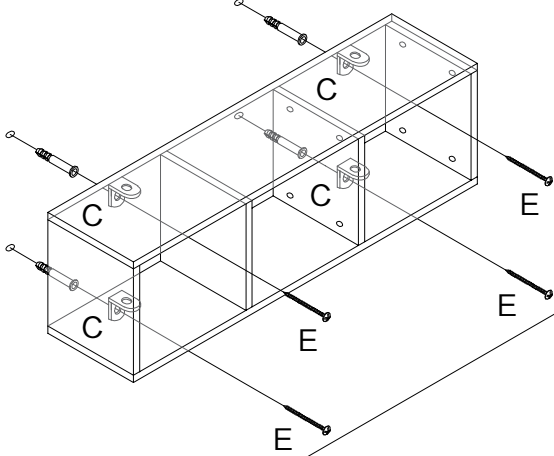
**Step 3**



A+B

A	x8
B	x8

**Complete**



E

E	x4
---	----