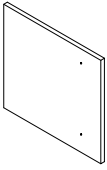
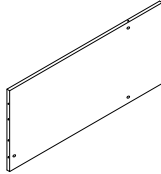
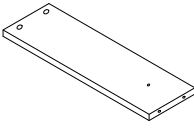
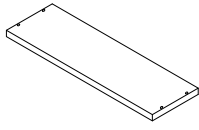
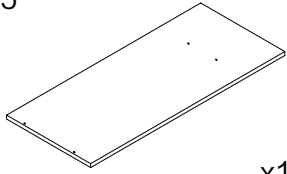
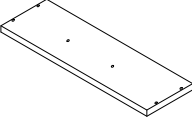





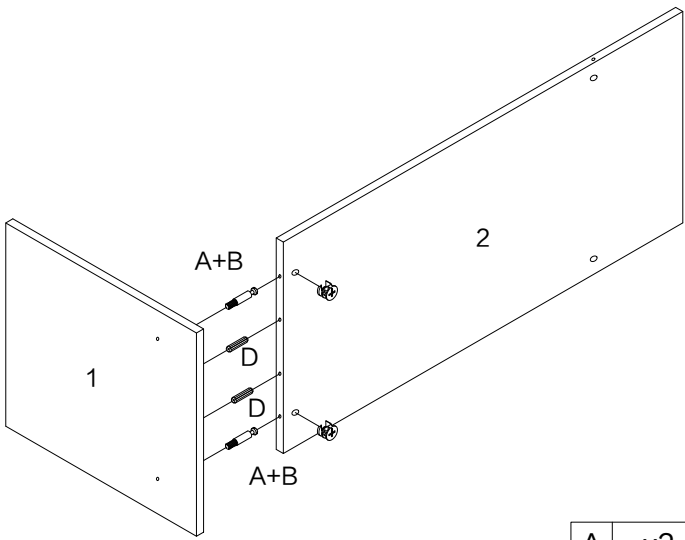


230-000048

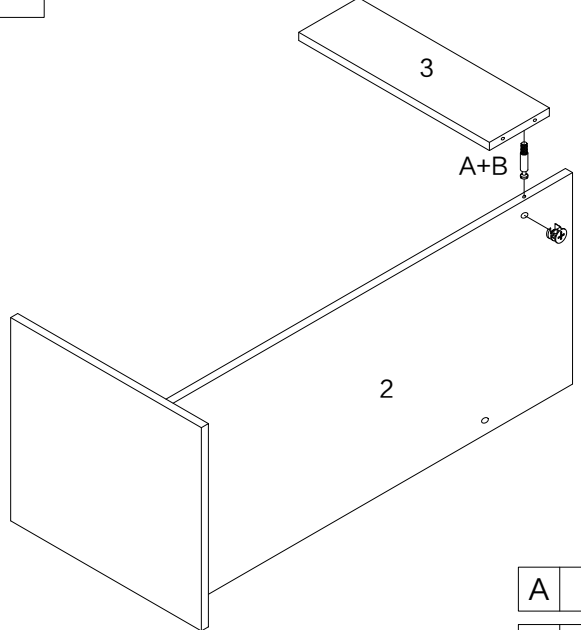
1  x1	2  x1	3  x2	4  x1	5  x1
6  x1	A  x10	B  x10	C (5X50mm)  x4	D  x4 E (6X25mm)  x2

Step 1



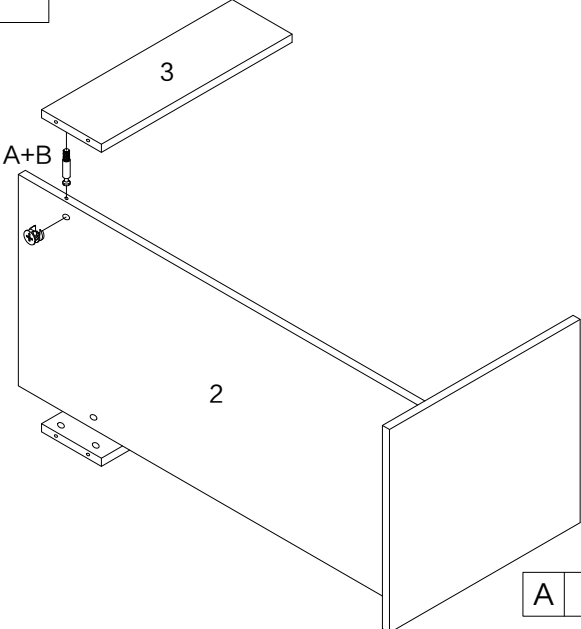
A	x2
D	x2
B	x2

Step 2



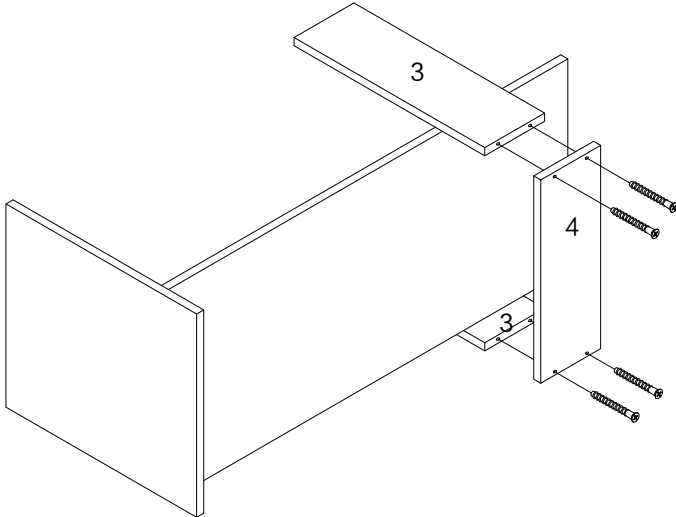
A	x1
B	x1

Step 3



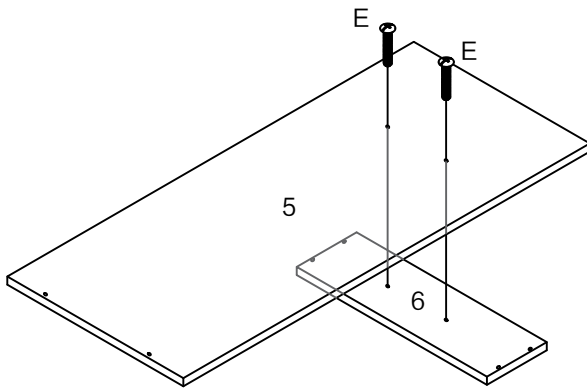
A	x1
B	x1

Step 4



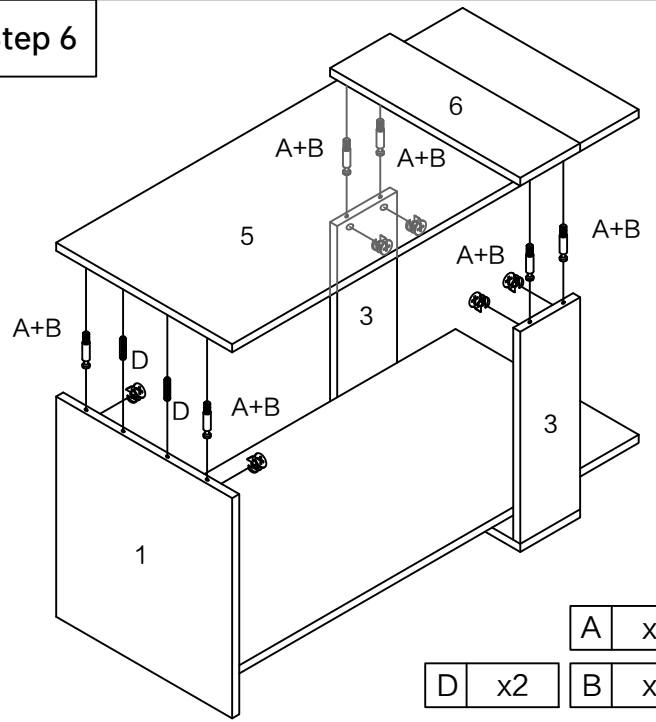
C	x4
---	----

Step 5



E	x2
---	----

Step 6



Complete

