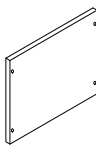

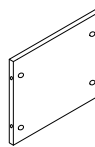

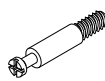




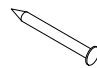
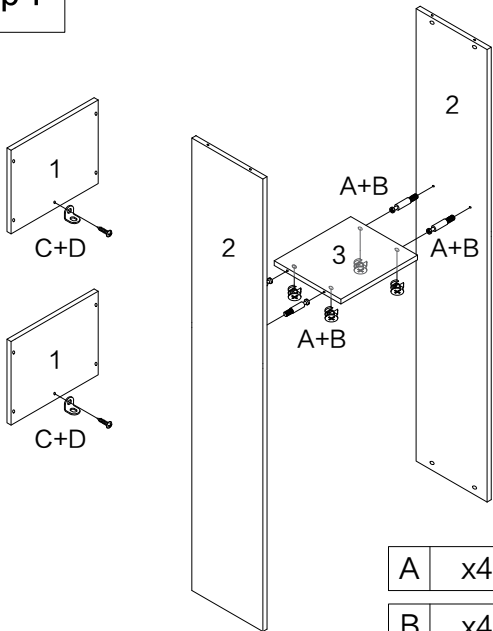


230-000046

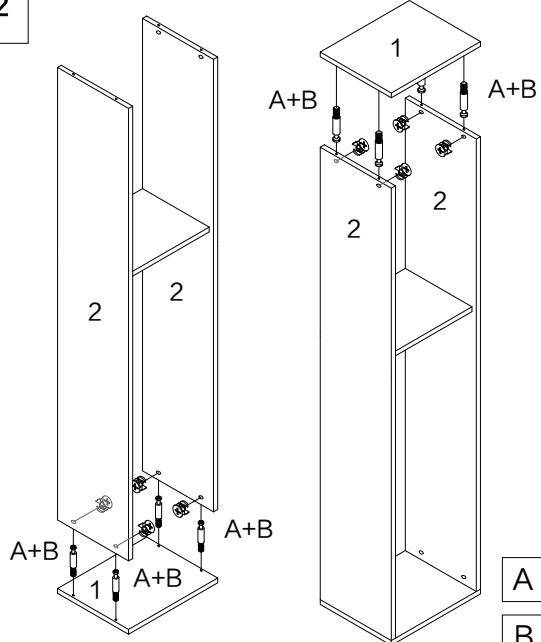
<p>1</p>  <p>x2</p>	<p>2</p>  <p>x2</p>	<p>3</p>  <p>x1</p>	<p>4</p>  <p>x1</p>	<p>A</p>  <p>x12</p>
<p>B</p>  <p>x12</p>	<p>C</p>  <p>x2</p>	<p>D</p>  <p>(3.5x12mm) x2</p>	<p>E</p>  <p>x2</p>	<p>F</p>  <p>x10</p>

Step 1



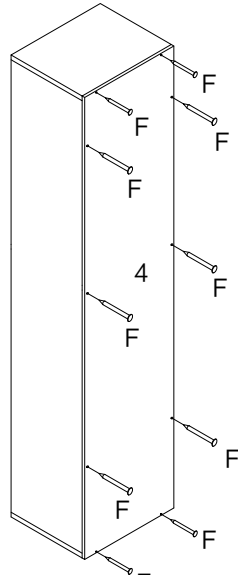
A	x4	C	x2
B	x4	D	x2

Step 2



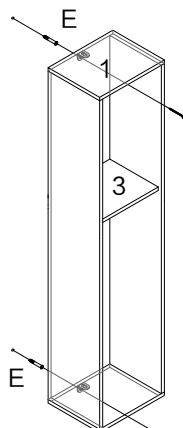
A	x8
B	x8

Step 3



F	x10
---	-----

Step 4



E	x2
---	----

Complete

