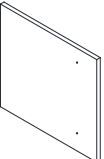
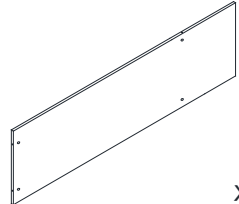
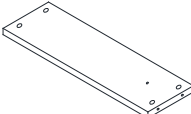
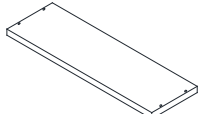
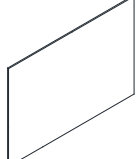
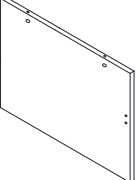
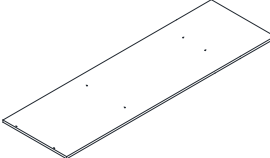
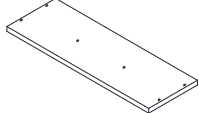
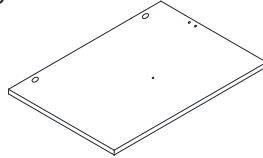








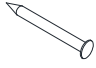

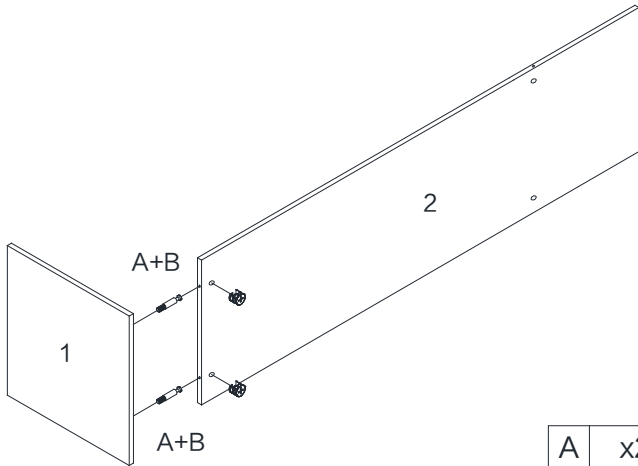


230-000043

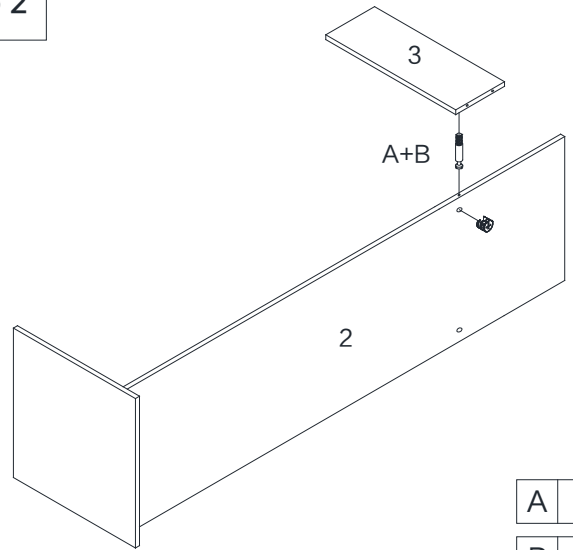
1  x1	2  x1	3  x2	4  x1	5  x1
6  x1	7  x1	8  x1	9  x1	A  x16 B  x16
C (6X25mm) x2  D  x2	E (3.5x12mm) x16  F  x1	G (4x18mm) x1  H  x1	I  x6	J  (6.3x50) x2

Step 1



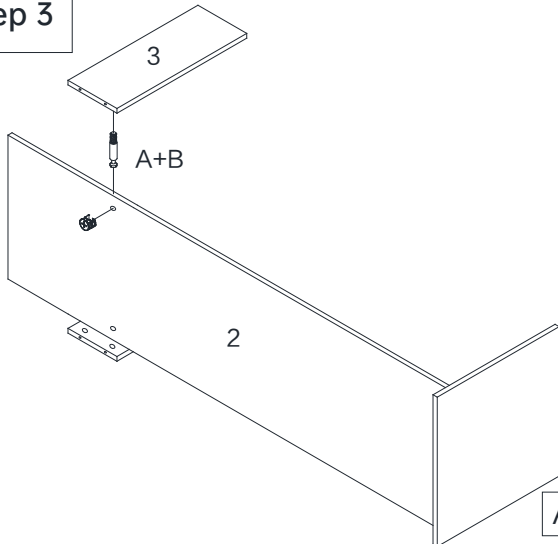
A	x2
B	x2

Step 2



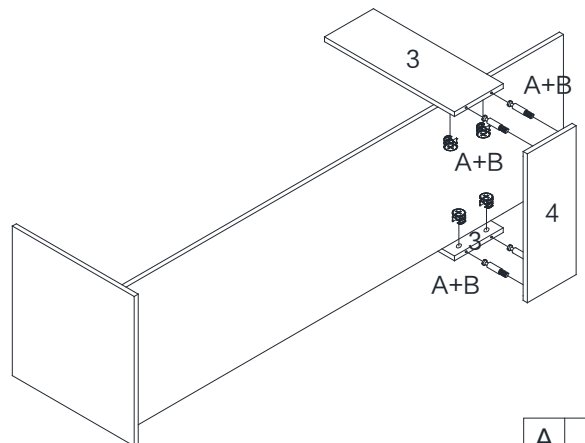
A	x1
B	x1

Step 3



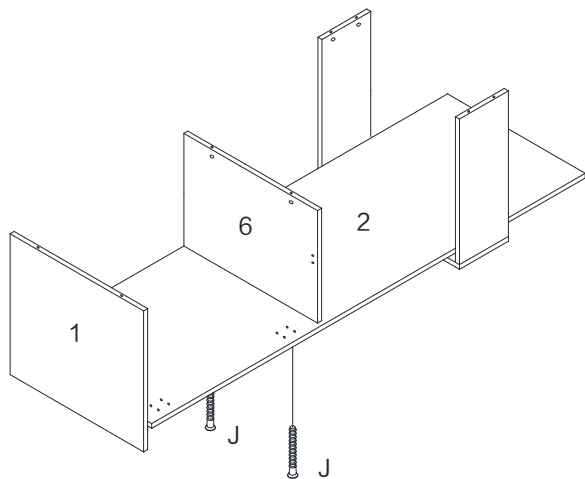
A	x1
B	x1

Step 4



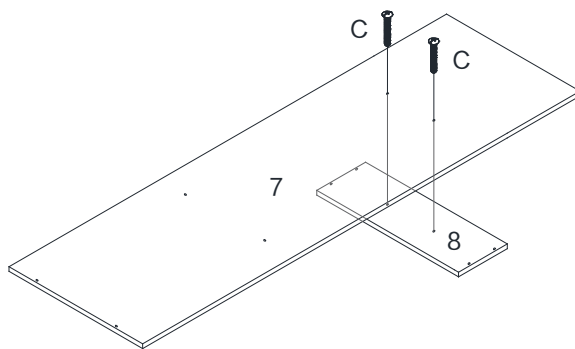
A	x4
B	x4

Step 5



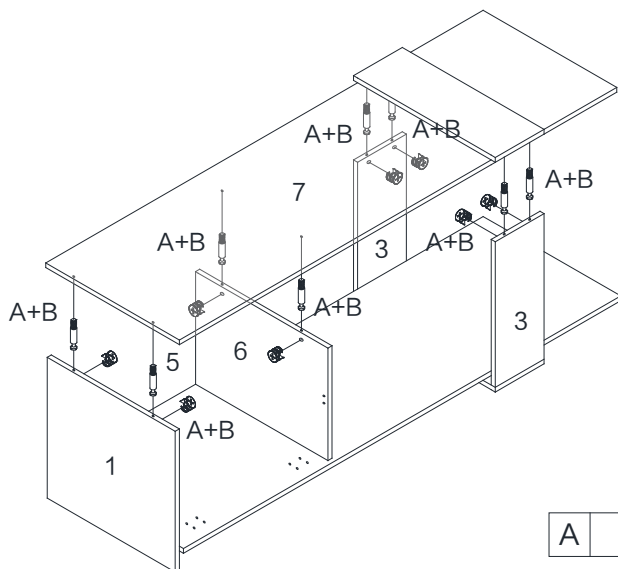
J x2

Step 6



C x2

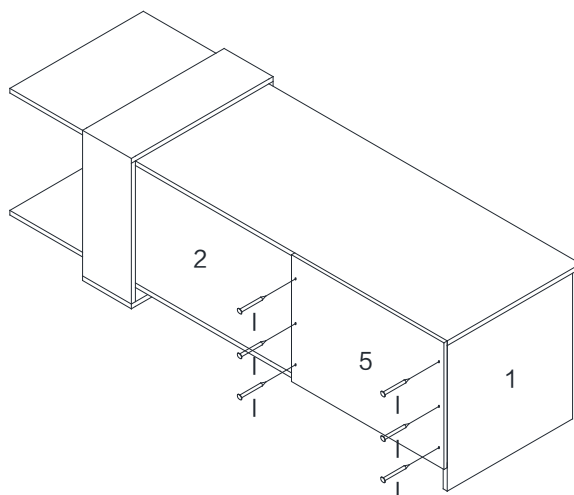
Step 7



A x8

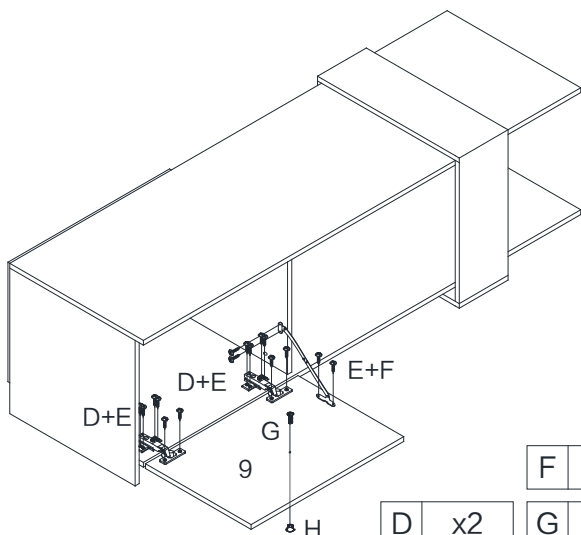
B x8

Step 8



I x6

Step 9



F x1

D x2

G x1

E x16

H x1

Complete

