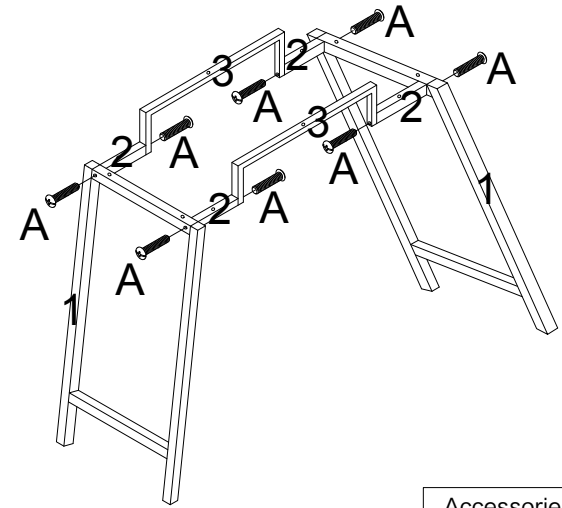


230-000019

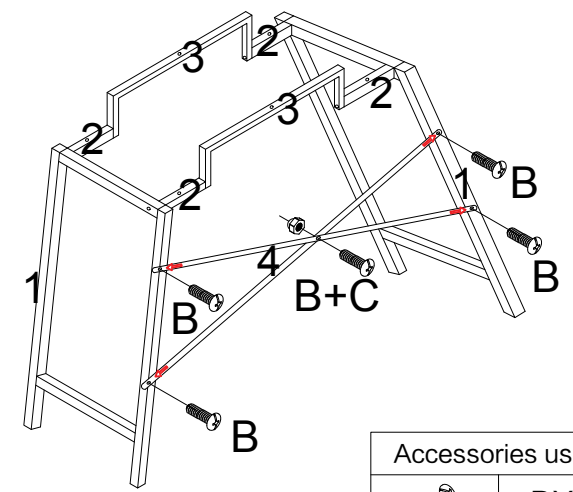
1 X2	2 X4	3 X2
4 X1	5 X1	6 X1
7 X2	8 X1	9 X1
10 X1	11 X1	12 X2
13 X2	14 X2	15 X2
16 X2	A (6X35) X8	B (6X10) X5
E X26	F X26	C X1
G (6X30) X8	H (5X50) X8	D (3.5X12) X16
	I 11 12 X4	J (3.5X25) X2

Step 1



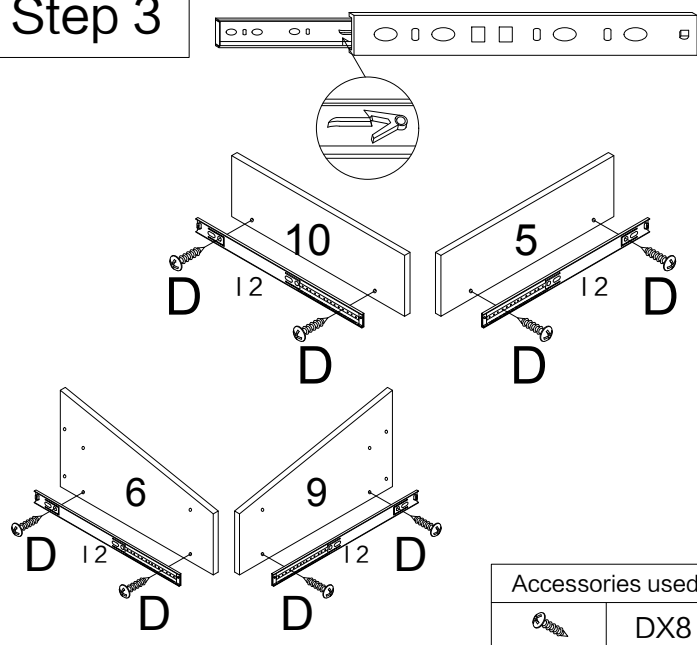
Accessories used	
	AX8

Step 2



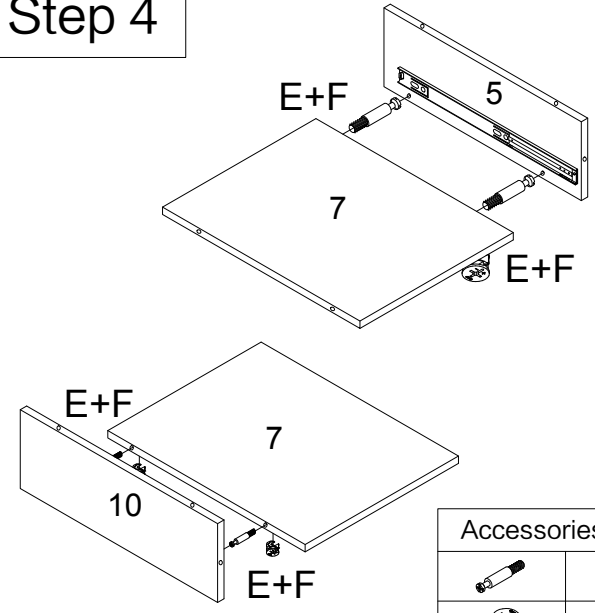
Accessories used	
	BX5
	CX1

Step 3



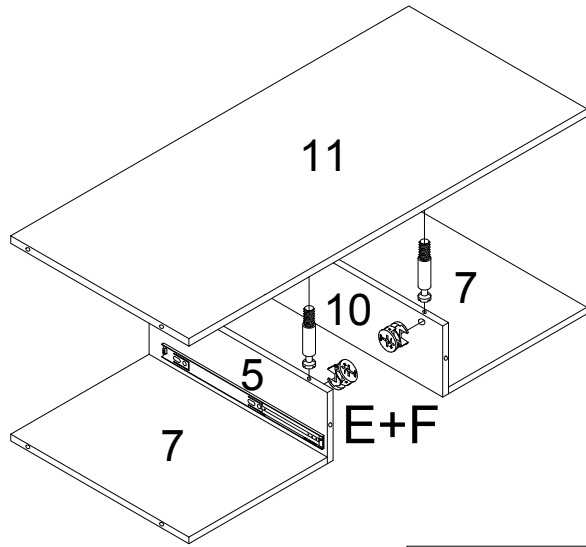
Accessories used	
	DX8

Step 4



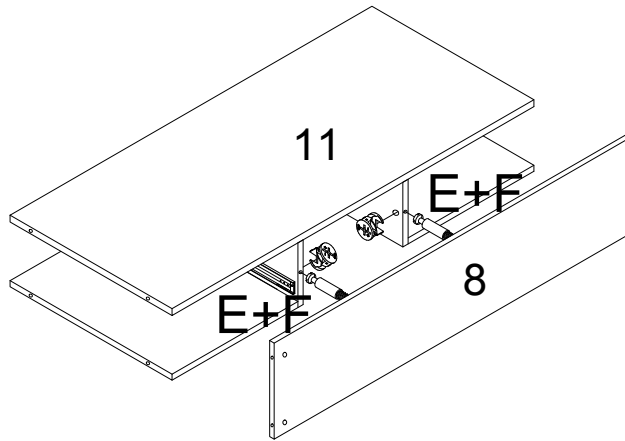
Accessories used	
	EX4
	FX4

Step 5



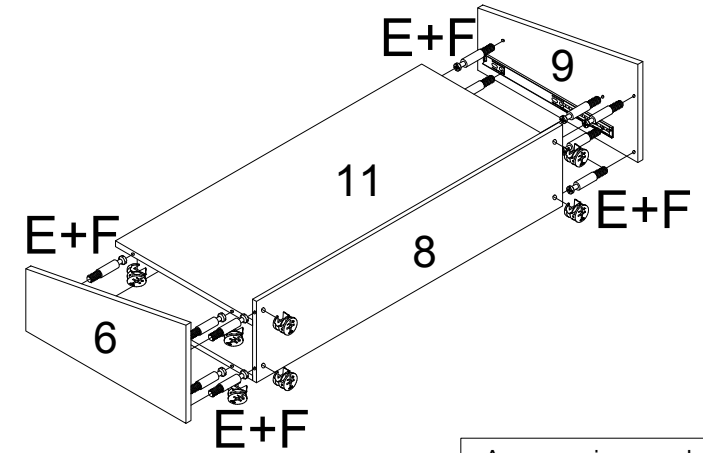
Accessories used	
	EX4
	FX4

Step 6



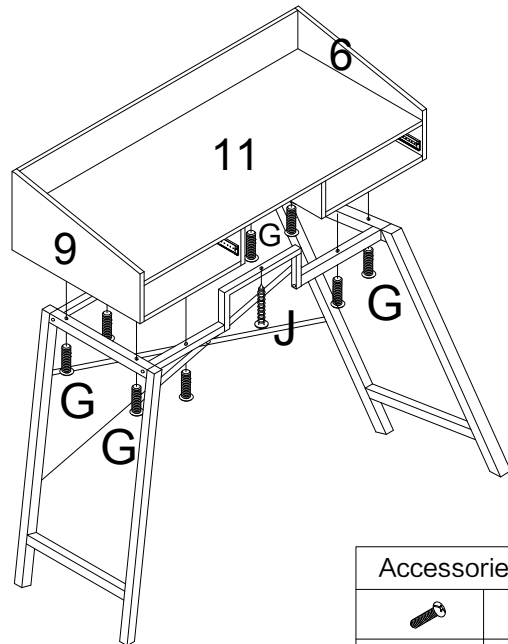
Accessories used	
	EX2
	FX2

Step 7



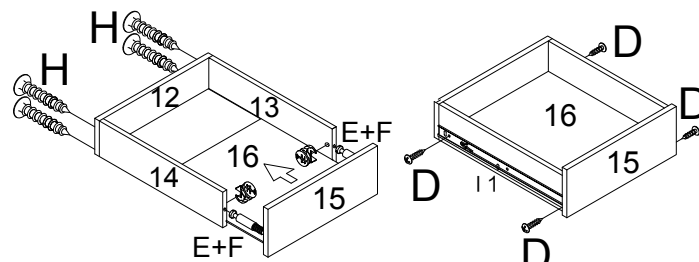
Accessories used	
	EX12
	FX12

Step 8

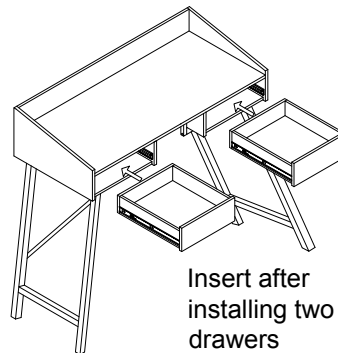


Accessories used	
	GX8
	JX2

Step 9



The other drawer is installed in the same way



Insert after installing two drawers

Accessories used			
	EX4		HX8
	FX4		DX8

complete

