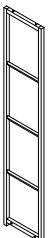
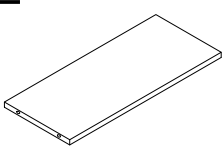
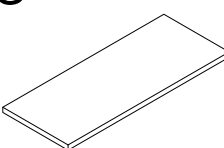
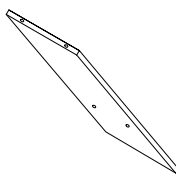
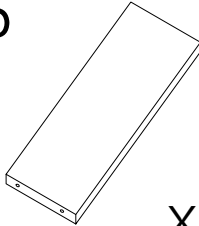
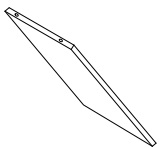
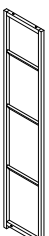
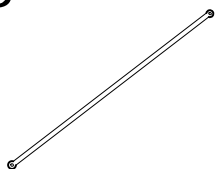
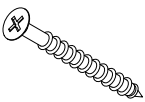
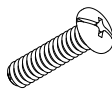

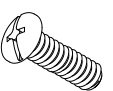
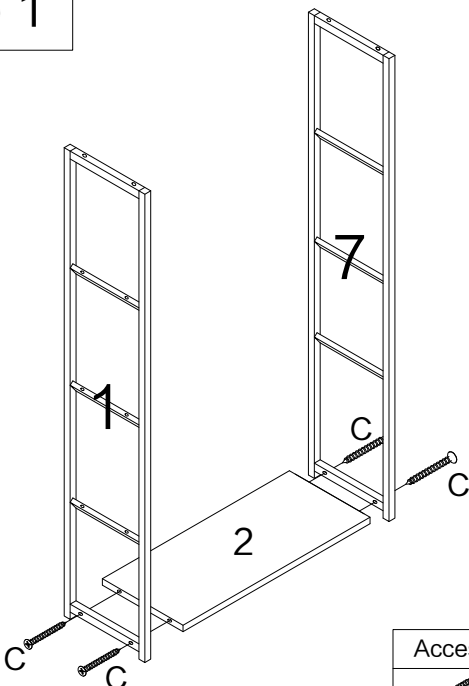



230-000015

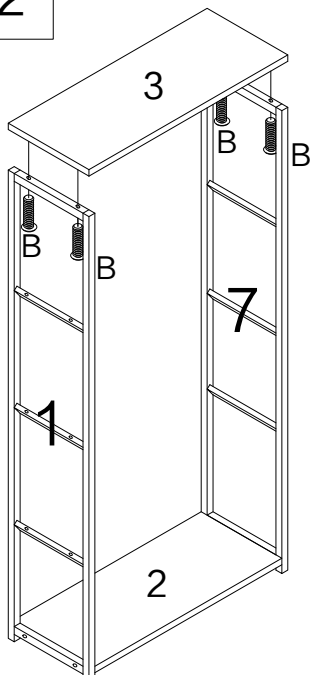
<p>1</p>  <p>X1</p>	<p>2</p>  <p>X1</p>	<p>3</p>  <p>X1</p>	<p>4</p>  <p>X1</p>	<p>5</p>  <p>X5</p>	<p>6</p>  <p>X1</p>
<p>7</p>  <p>X1</p>	<p>8</p>  <p>X4</p>	<p>A (5X50)</p>  <p>X24</p>	<p>B (6X35)</p>  <p>X4</p>	<p>C (5X60)</p>  <p>X4</p>	<p>D (6X10)</p>  <p>X8</p>

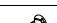
Step 1

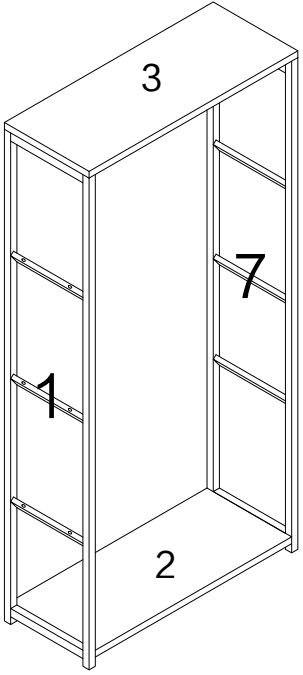


Accessories used	
	CX4

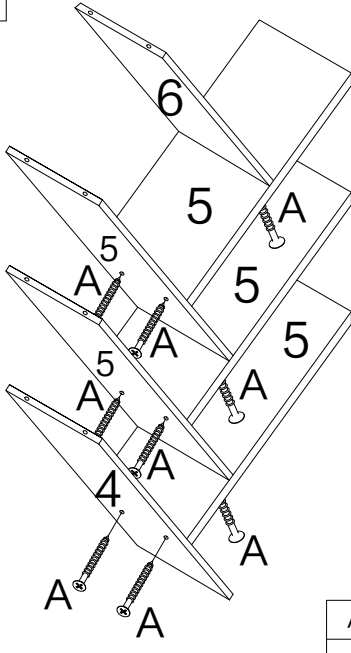
Step 2




Accessories used	
	BX4

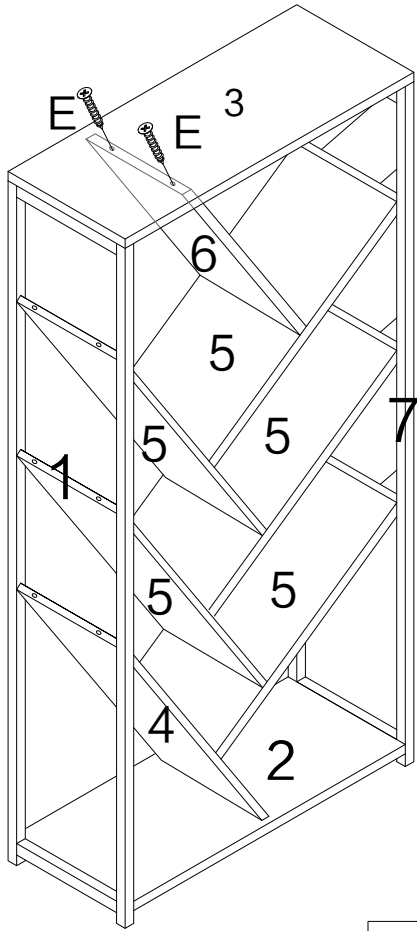


Step 3



Accessories used	
	AX12

Step 4

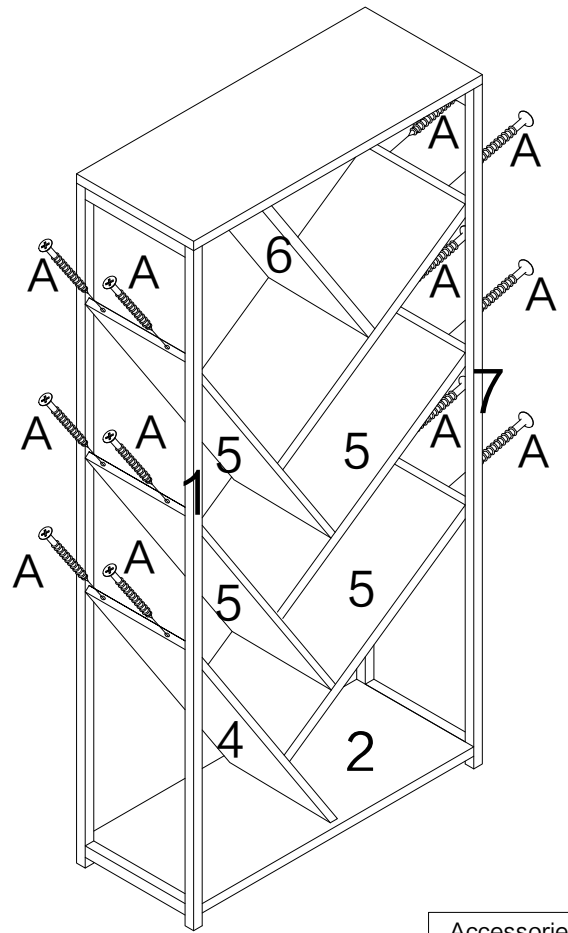


Accessories used



EX2

Step 5

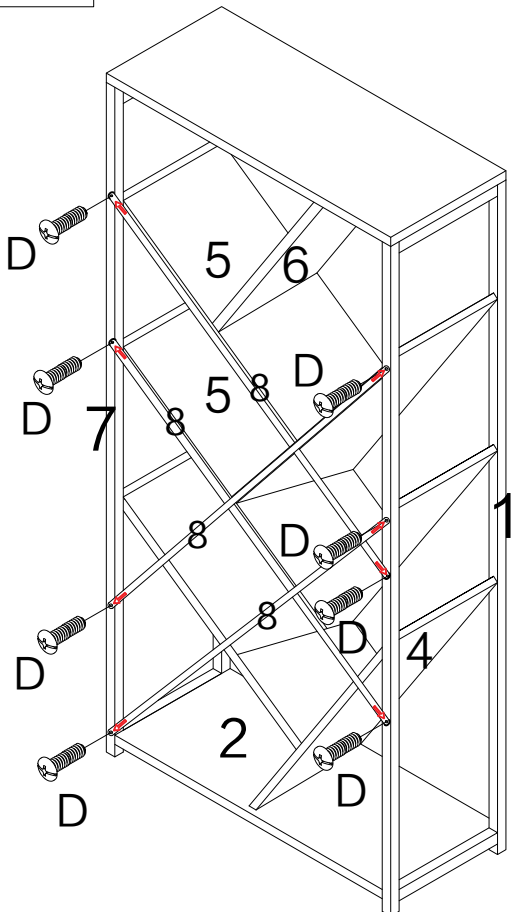


Accessories used



AX12

Step 6



Accessories used



DX8

complete

