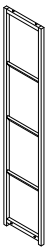
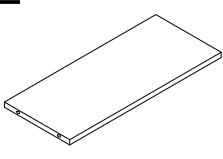
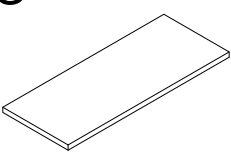
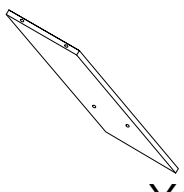
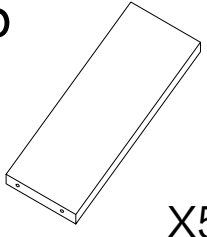

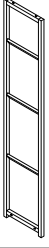
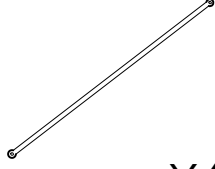
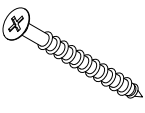
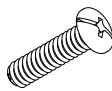
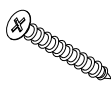
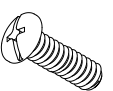
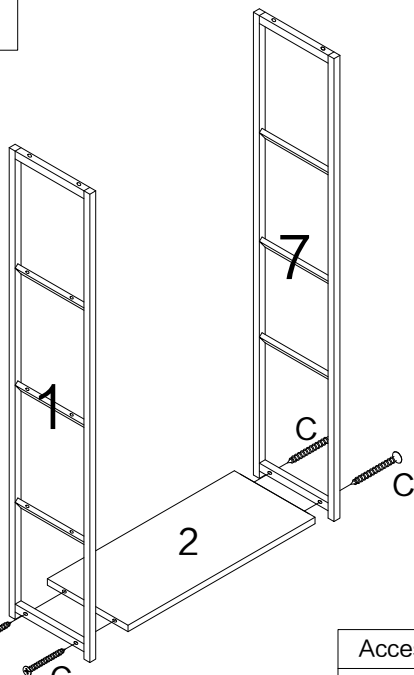



1  X1	2  X1	3  X1	4  X1	5  X5	6  X1
7  X1	8  X4	A (5X50)  X24	B (6X35)  X4	C (5X60)  X4	D (6X10)  X8

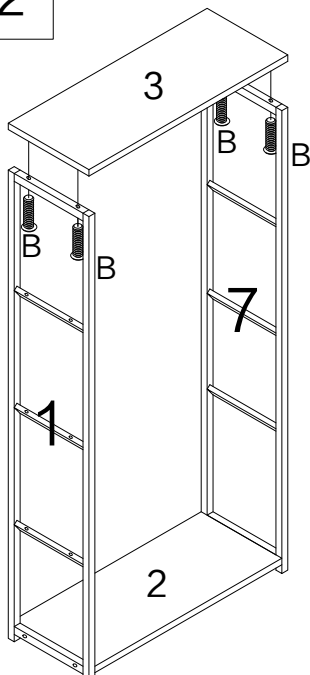
Step 1




Accessories used

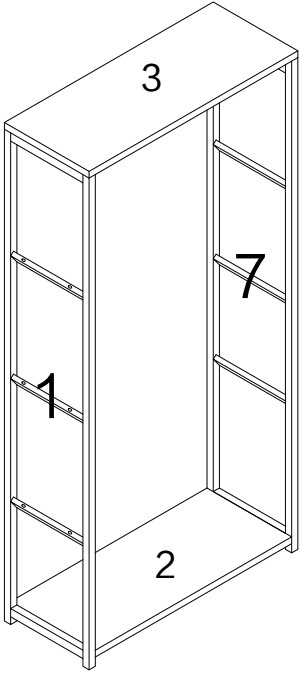
	CX4
---	-----

Step 2

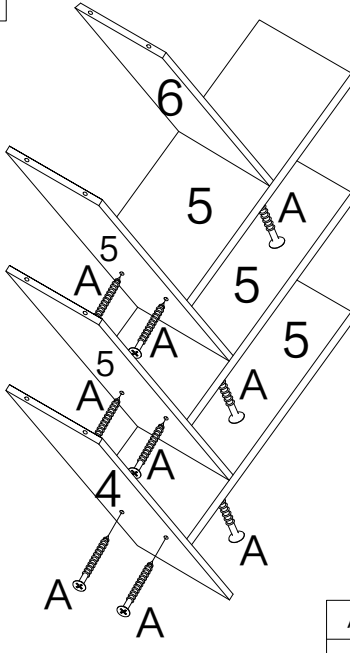


Accessories used


	BX4
---	-----



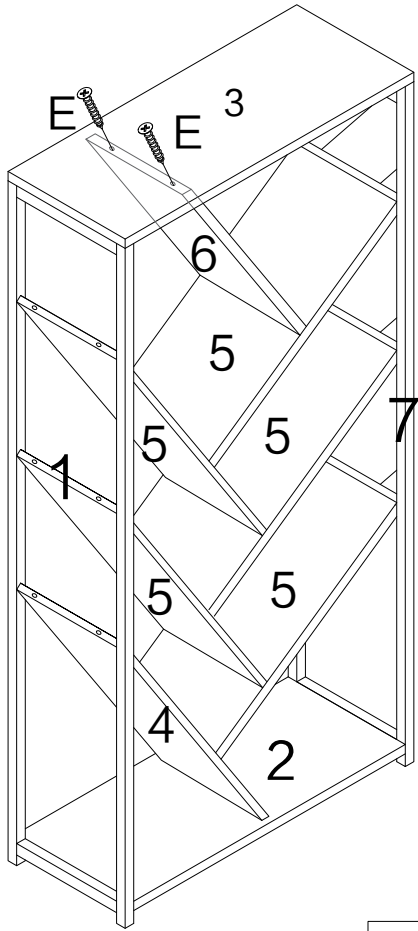
Step 3



Accessories used

	AX12
---	------

Step 4

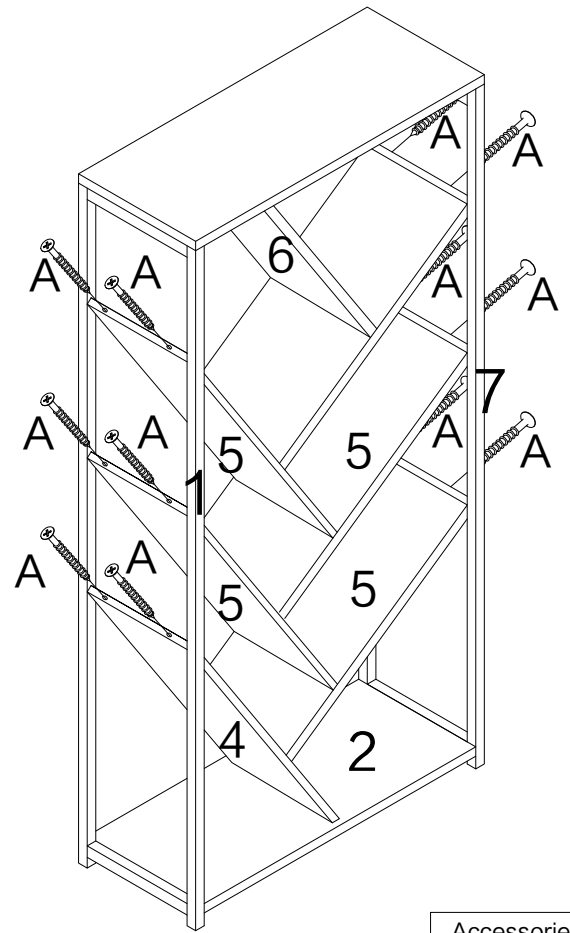


Accessories used



EX2

Step 5

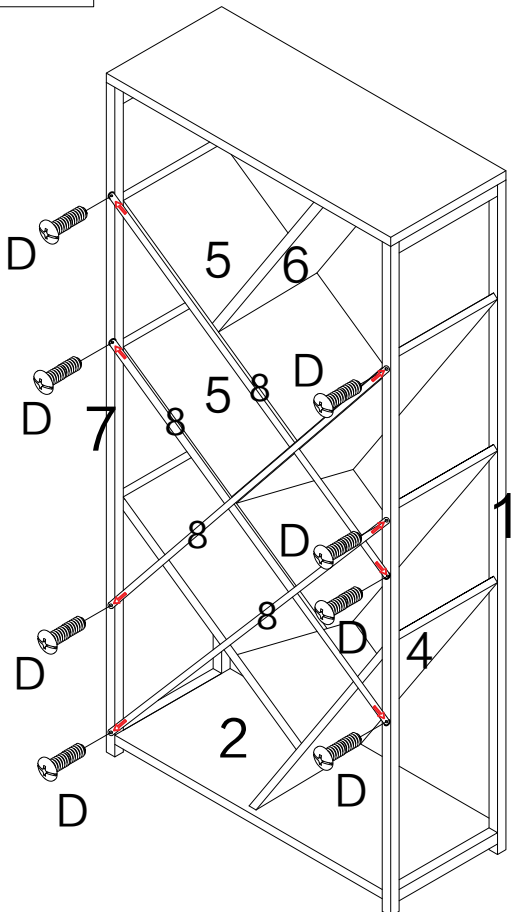


Accessories used



AX12

Step 6



Accessories used



DX8

complete

