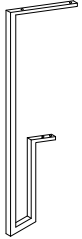
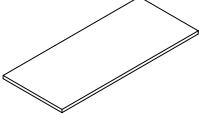
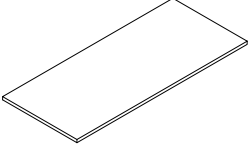
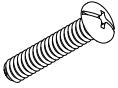


1  X4


2  X1

3  X1

A (6X30)  X16


Step 1

Accessories used

	AX8
---	-----



Step 2

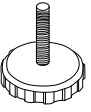
Accessories used

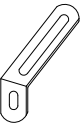
	AX8
---	-----

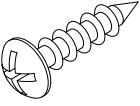
Step 3

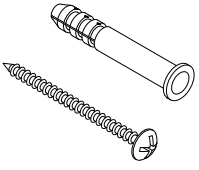
Accessories used

	CX2
	DX2

B  X4


C  X2

D (3.5X12)  X2

E  X2


Step 4

Accessories used

	BX4
---	-----

Step 5

Accessories used

	EX2
---	-----

complete