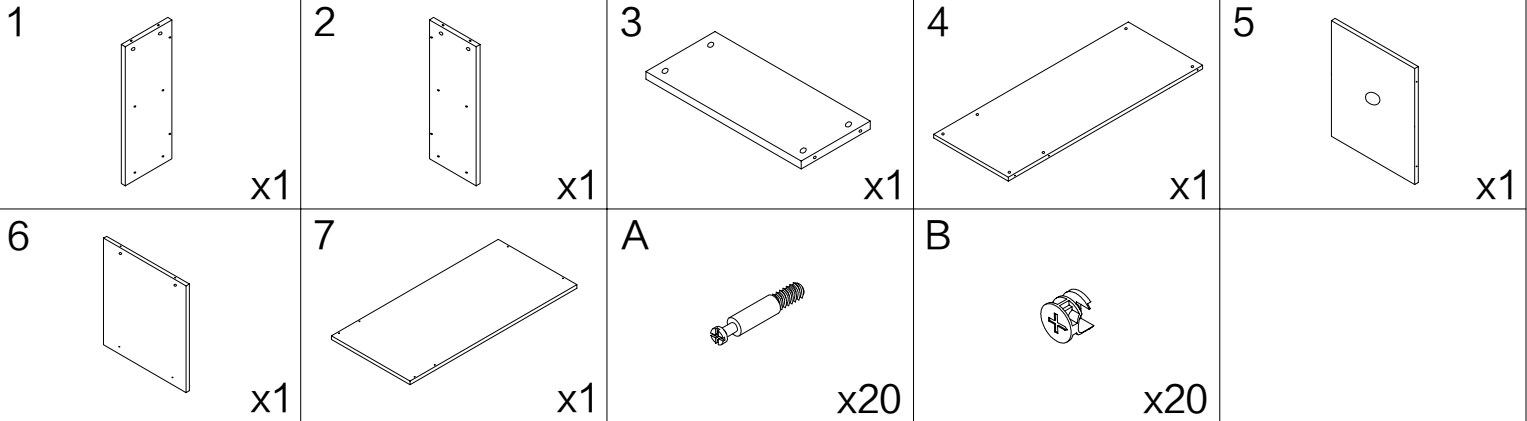
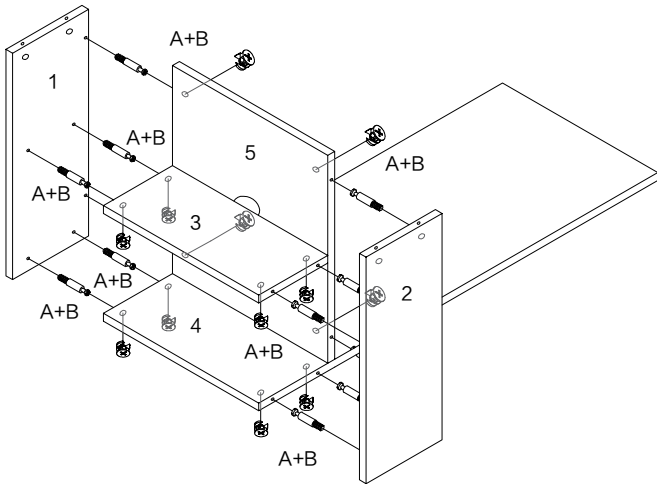


230-000006

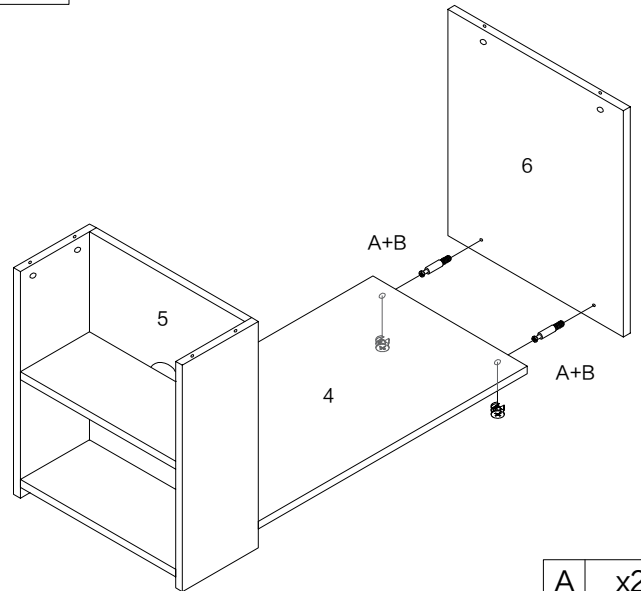


Step 1



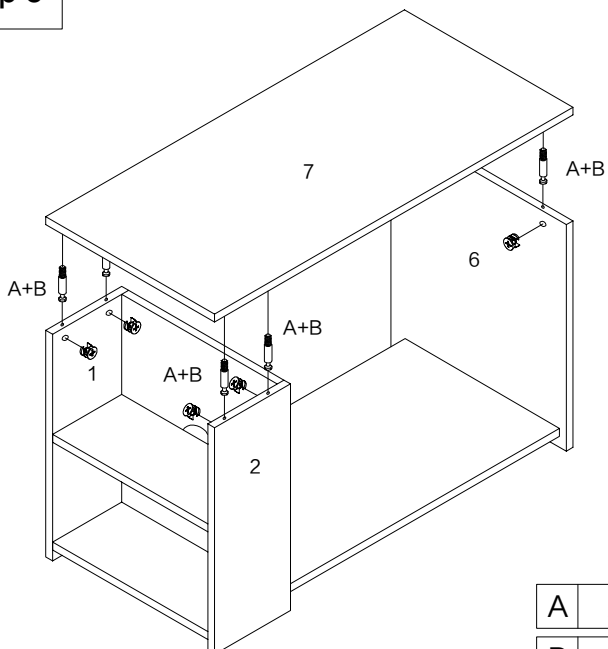
A	x12
B	x12

Step 2



A	x2
B	x2

Step 3



A	x6
B	x6

Complete

