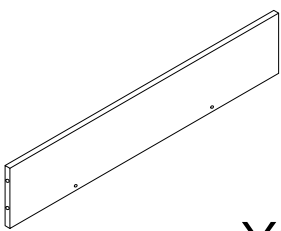
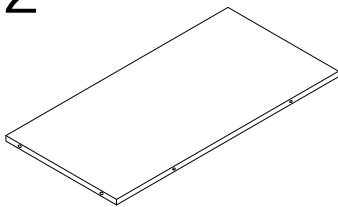
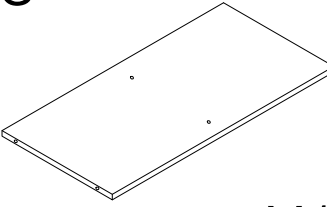
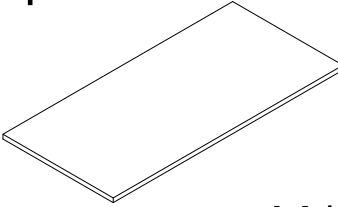
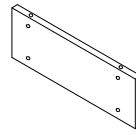
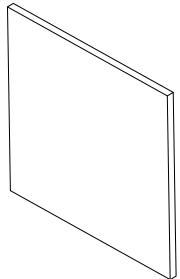
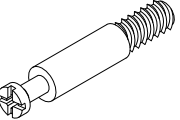

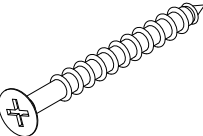
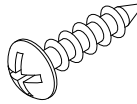
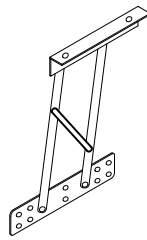
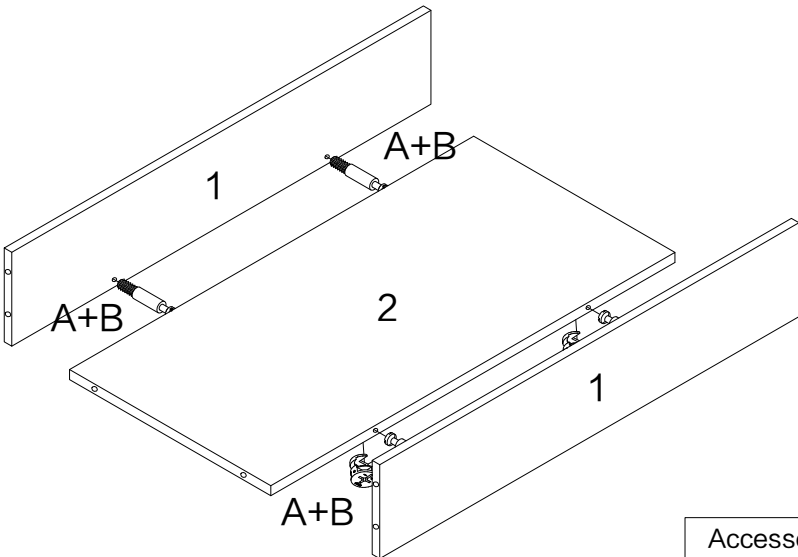




230-000002

<p>1</p>  <p>X2</p>	<p>2</p>  <p>X1</p>	<p>3</p>  <p>X1</p>	<p>4</p>  <p>X1</p>	<p>5</p>  <p>X1</p>	<p>6</p>  <p>X2</p>
<p>A</p>  <p>X22</p>	<p>B</p>  <p>X22</p>	<p>C (5X50)</p>  <p>X2</p>	<p>D (3.5X12)</p>  <p>X28</p>	<p>E</p>  <p>X2</p>	

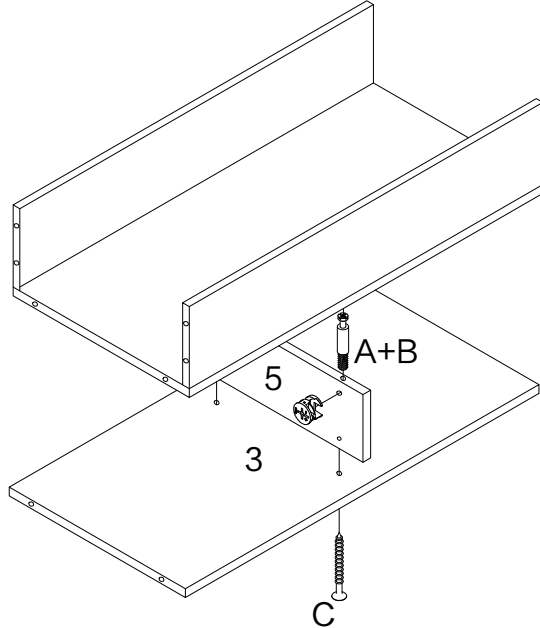
Step 1






Accessories used

	AX4
	BX4

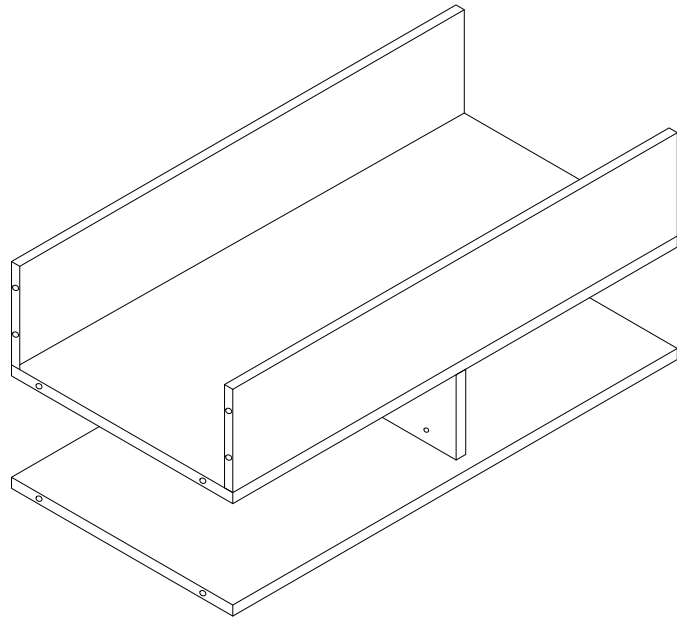
Step 2



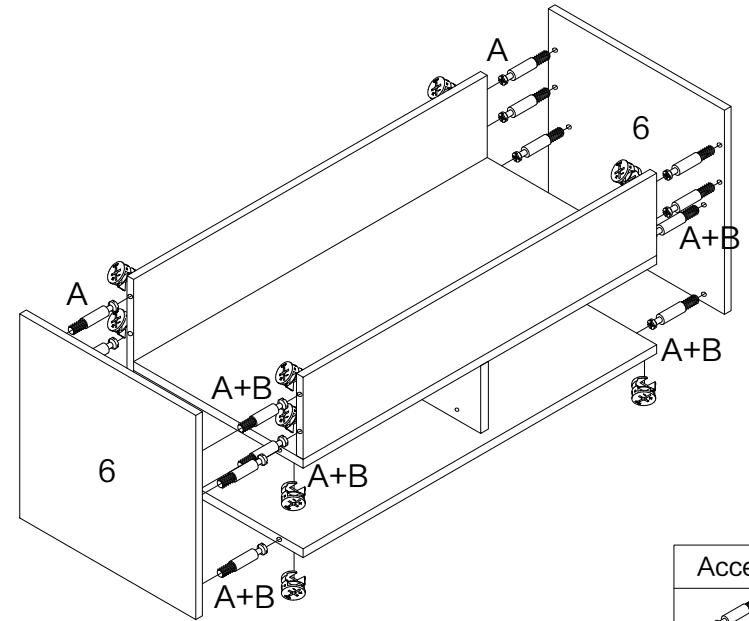
Accessories used

	AX2
	BX2
	CX2



Step 3



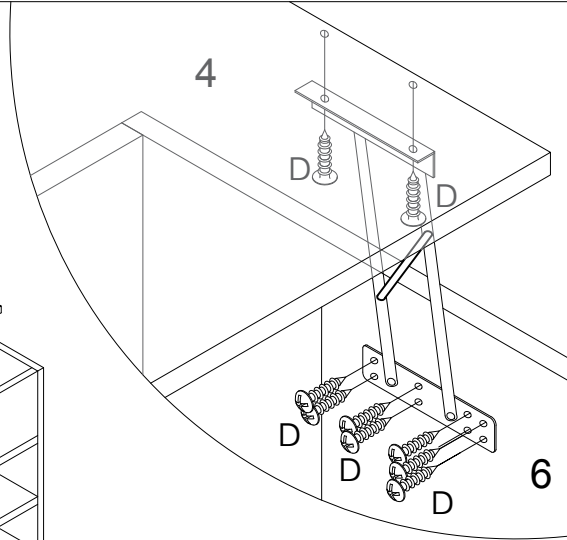
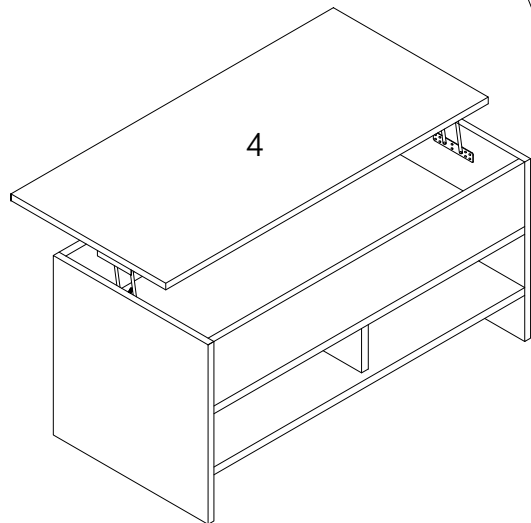
Step 4



Accessories used

	AX16
	BX16

Step 5



Accessories used

	DX28
---	------

complete

