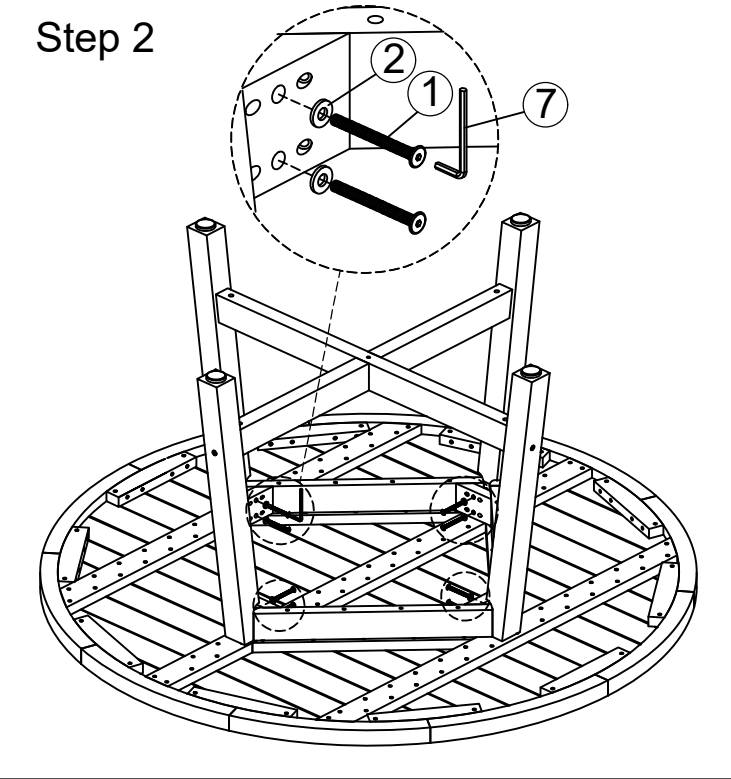
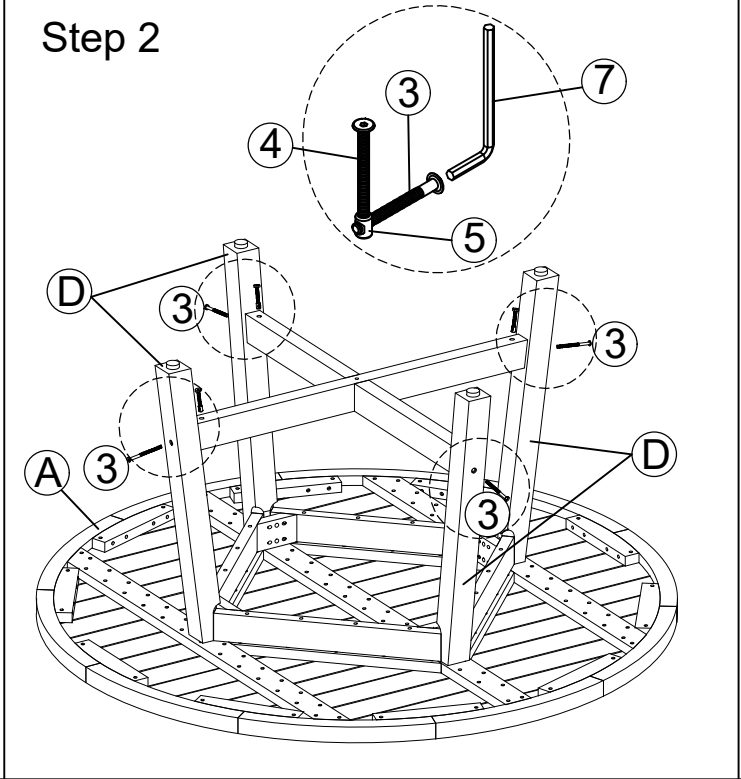
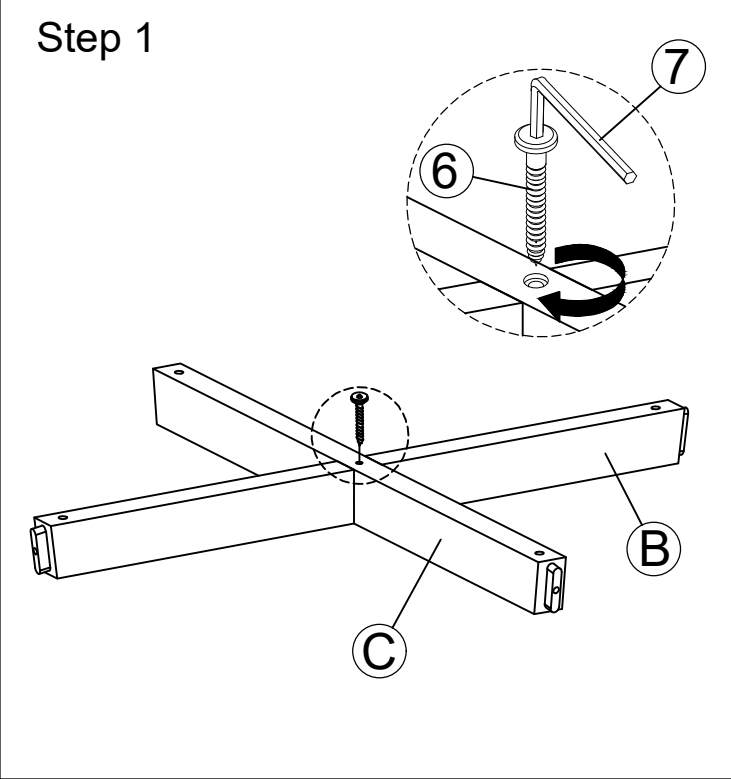
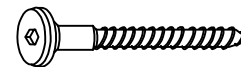
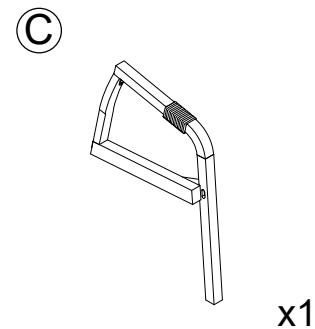
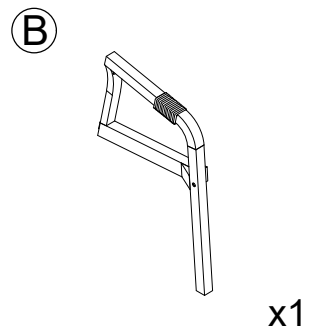
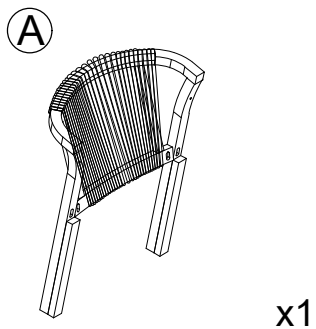
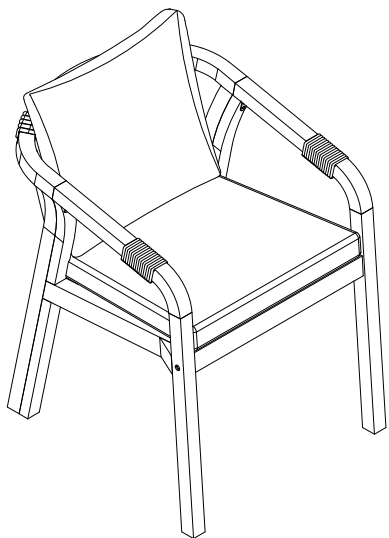
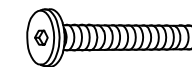


	① M8 X 70(mm) x8
	② Ø8x18 (mm) x8
	③ M6 X 100(mm) x4
	④ M6 X 45(mm) x1
	⑤ M6 X 13(mm) x4
	⑥ M6 X 50(mm) x1
	⑦ M4 x1

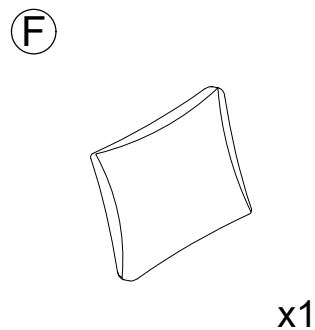
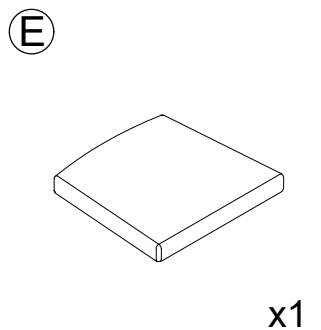
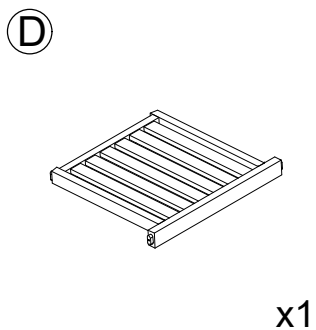




① M7 x 70(mm) x6

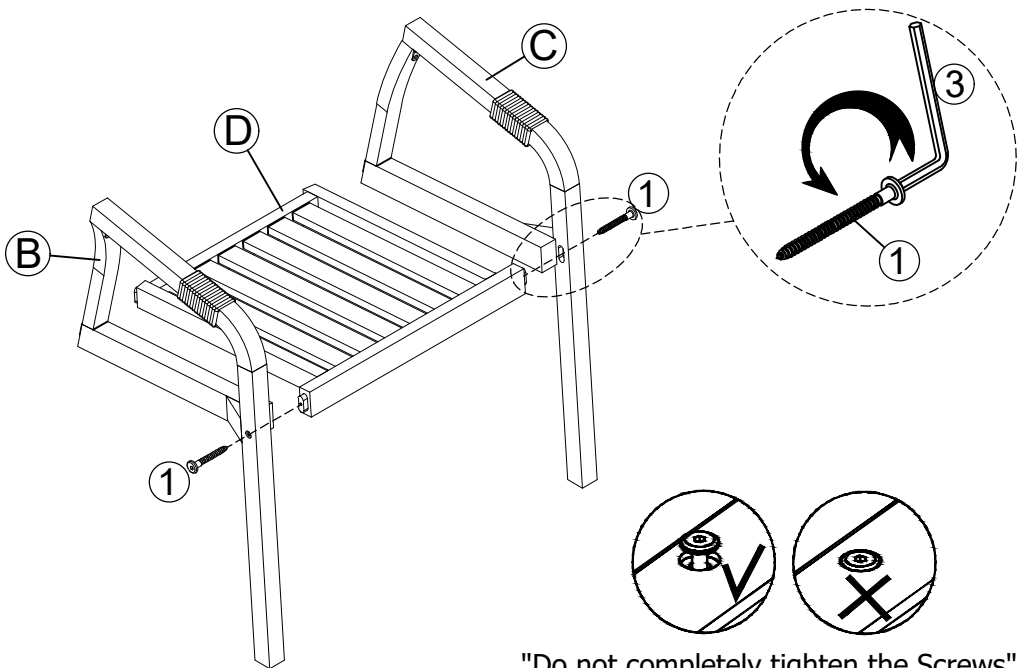


② M6 x 45(mm) x2

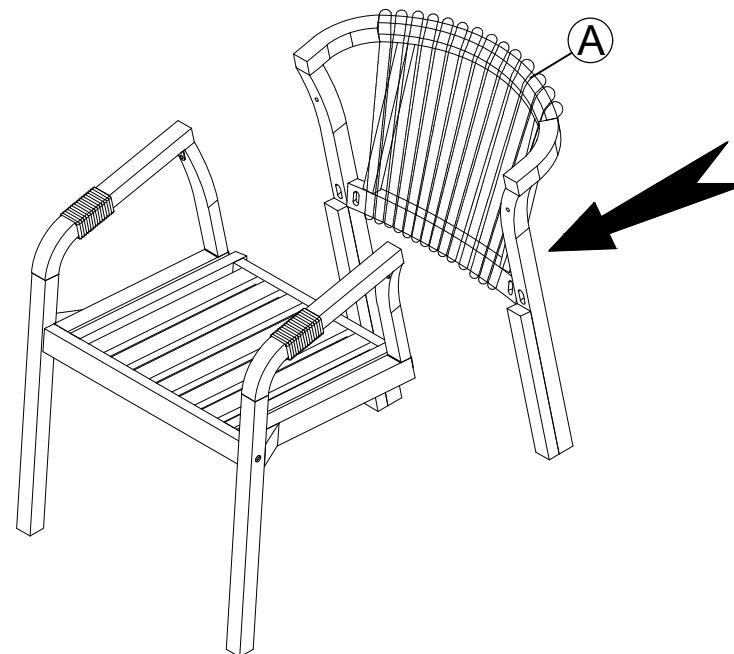


③ M4 (mm) x1

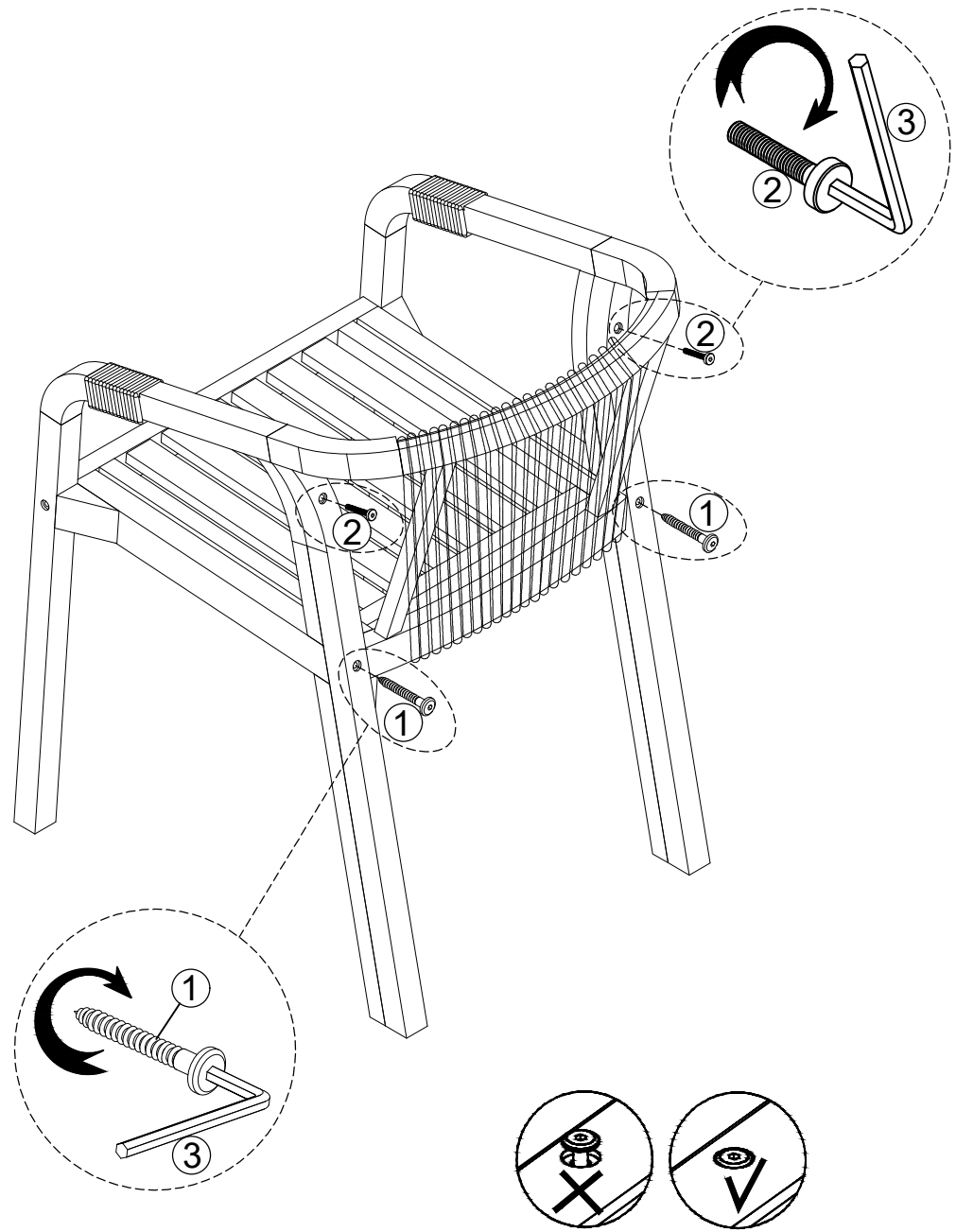
Step 1



Step 2



Step 3



"Ensure that all Screws are completely tightened"

Step 4

