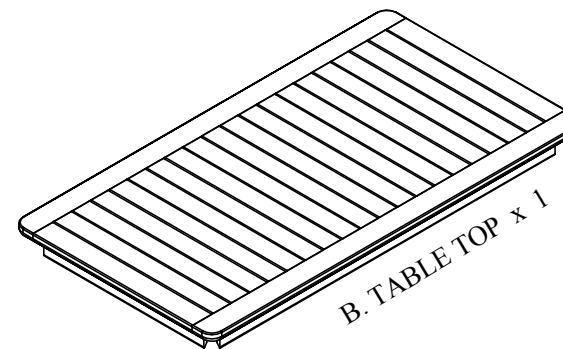


COMPONENTS




A. LEGS x 4

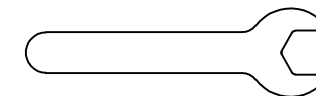


B. TABLE TOP x 1

These instructions must be used to ease the assembly of your furniture.
Please ensure that you have all the components before assembly.
Remember to place the part on a carpeted floor or blanket in order to protect them from damage while you assemble.

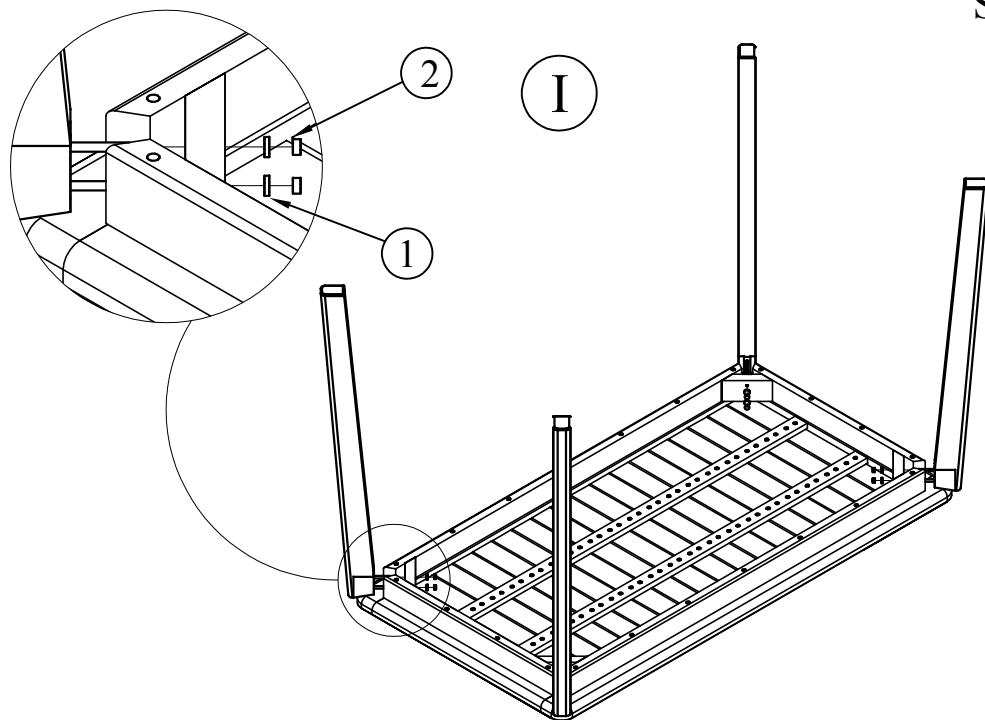
① WASHERS = 8pcs 

② LOCK NUTS = 8pcs 

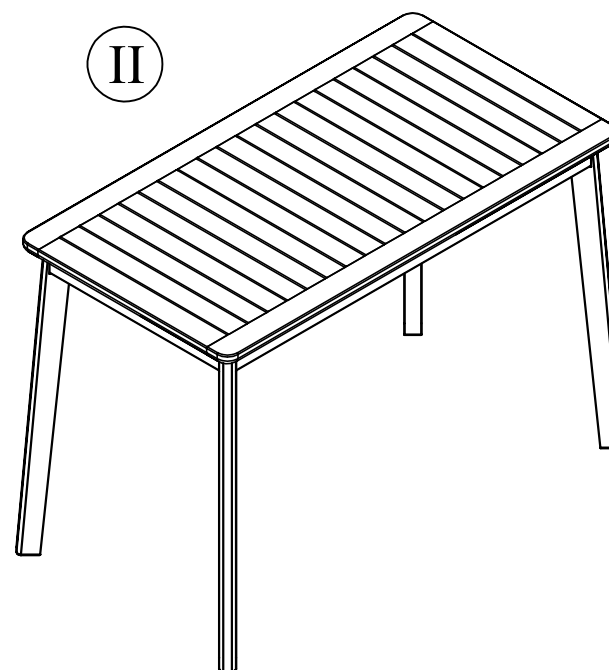


③ KEY = 1pce

STEP



II



FINISHED