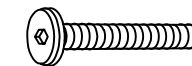
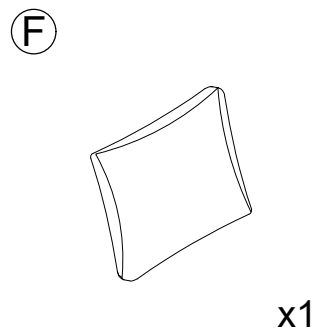
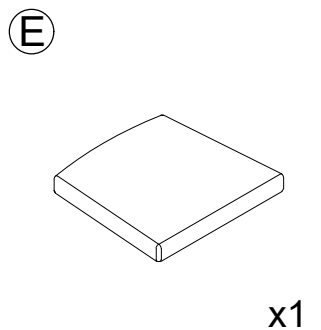
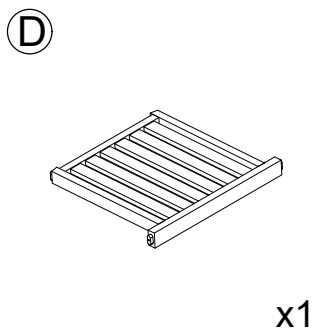


① M7 x 70(mm) x6

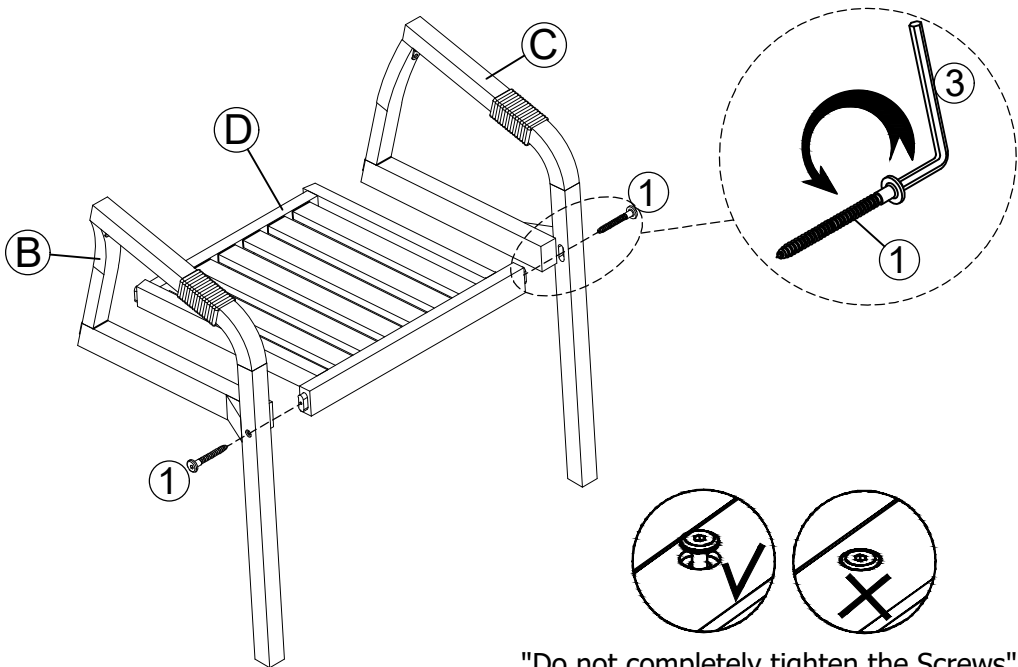


② M6 x 45(mm) x2



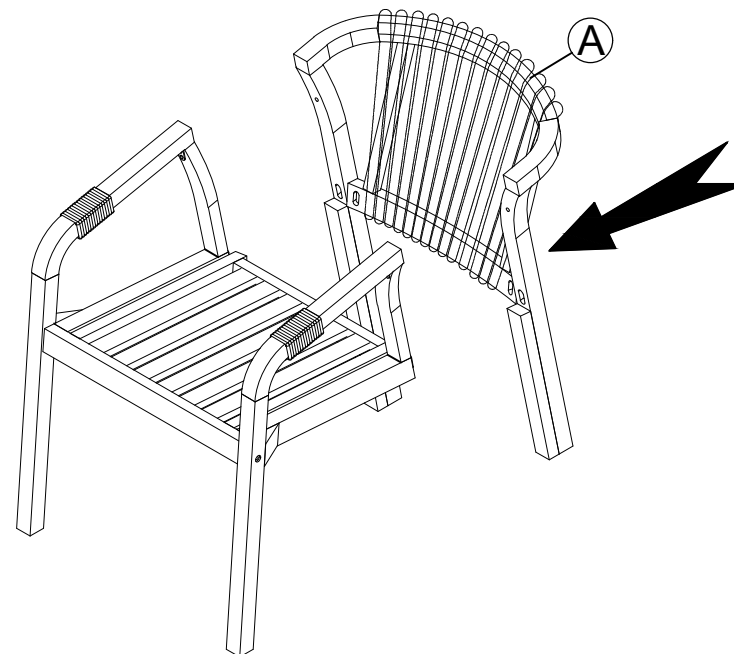
③ M4 (mm) x1

Step 1

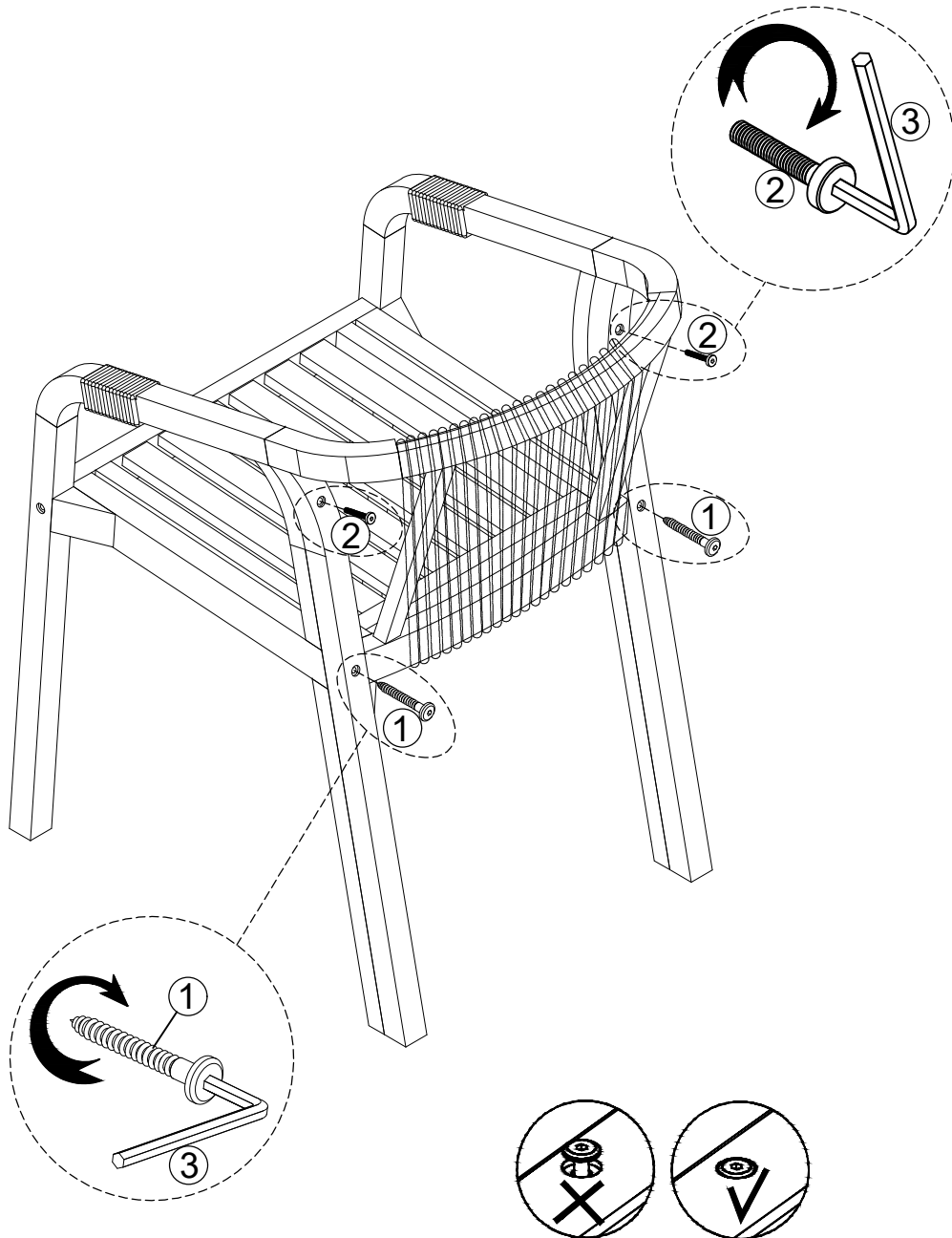


"Do not completely tighten the Screws"

Step 2



Step 3



"Ensure that all Screws are completely tightened"

Step 4

