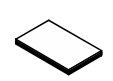


A



6pcs

1

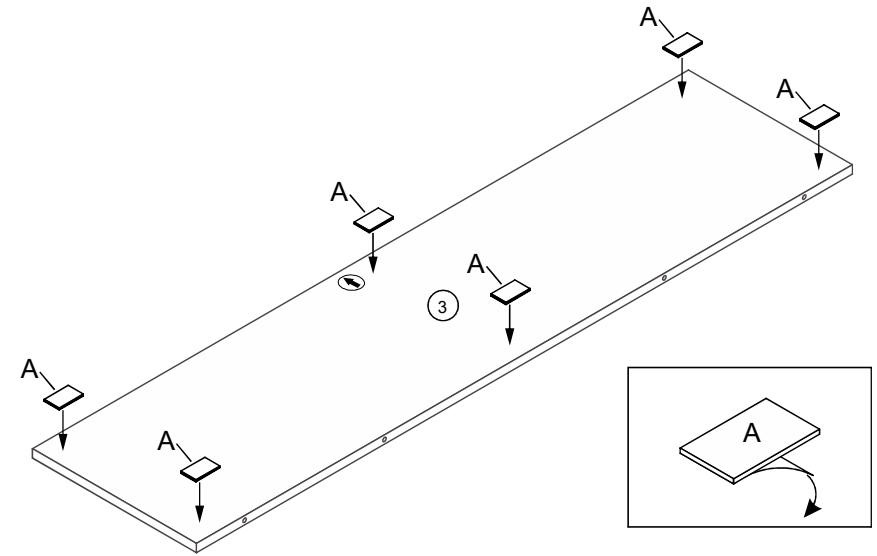


Diagram 1 shows a perspective view of a long rectangular board. Six pieces labeled 'A' are being attached to the top and bottom edges. An inset shows a piece 'A' being bent at a 90-degree angle.

2

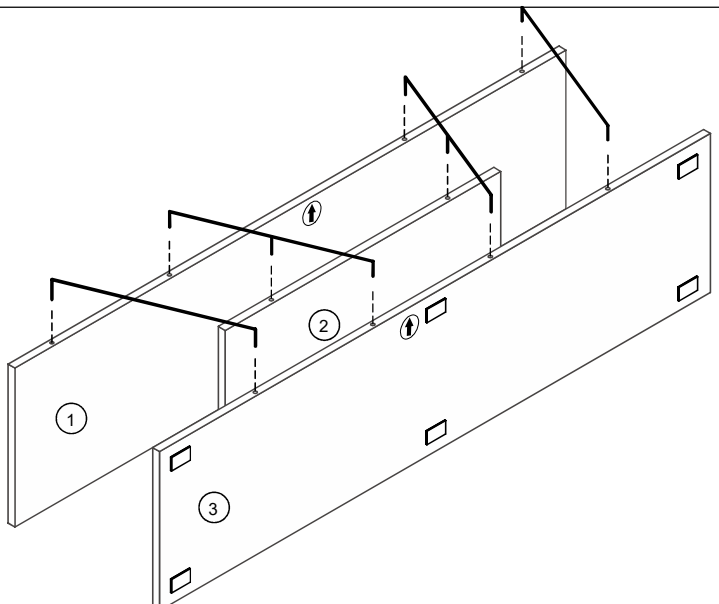


Diagram 2 shows a perspective view of the board with three vertical dividers (1, 2, 3) being inserted into the board. Arrows indicate the direction of insertion.

3

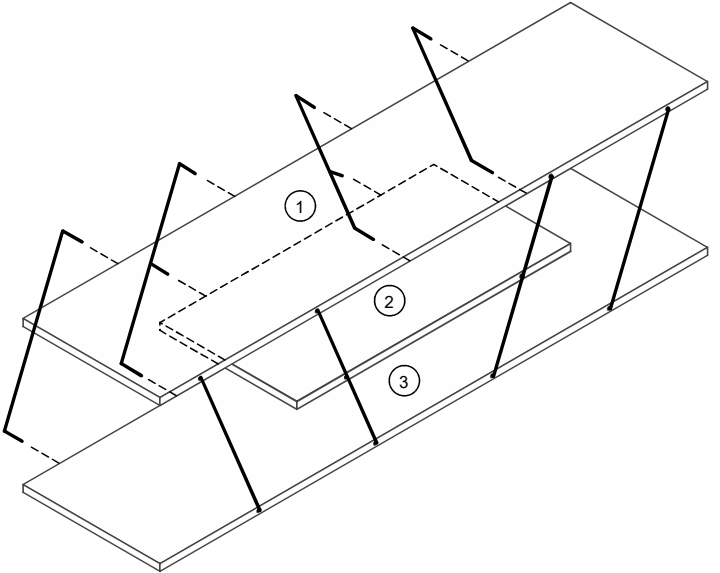


Diagram 3 shows a perspective view of the board with three vertical dividers (1, 2, 3) being bent outwards to form a frame.

4

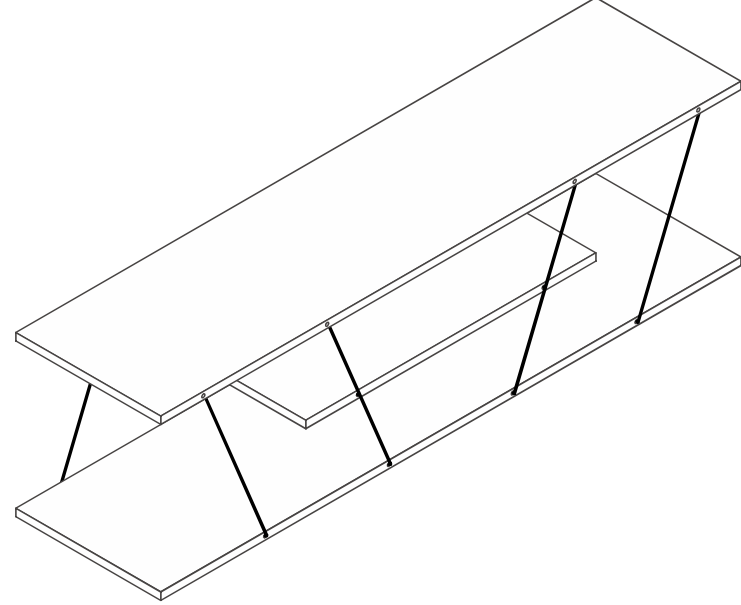


Diagram 4 shows a perspective view of the final assembled structure, showing the board with three vertical dividers bent outwards to form a frame.