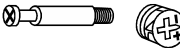


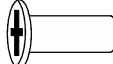


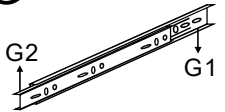
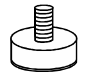
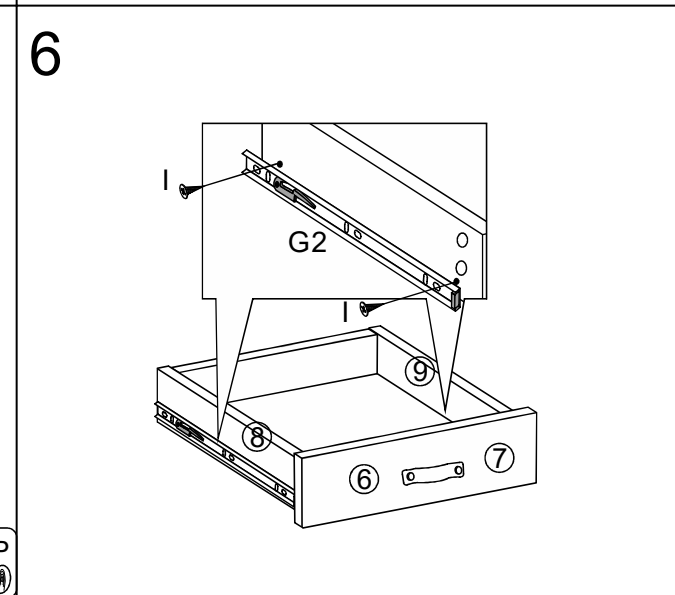
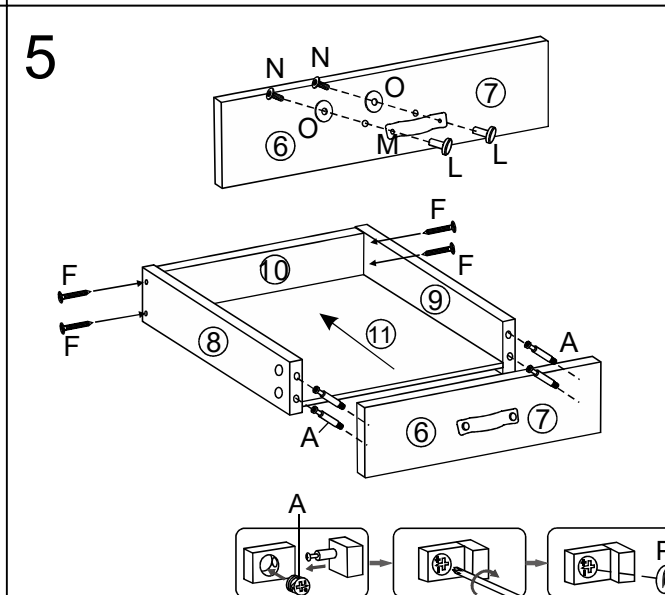
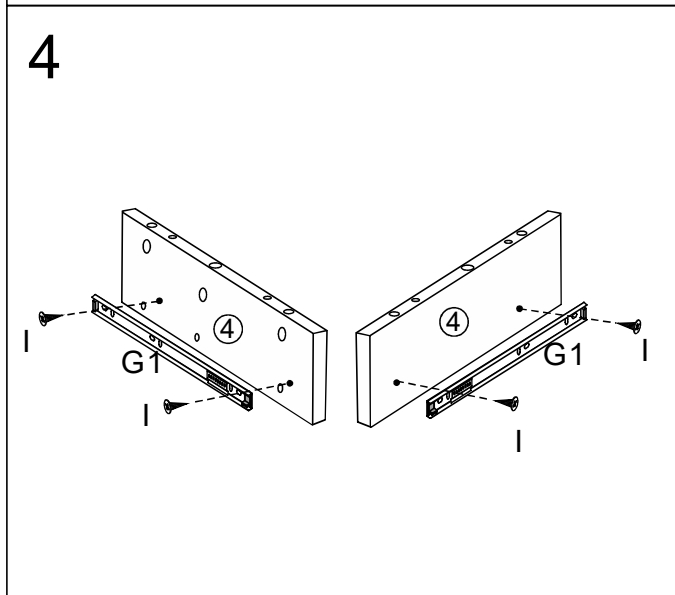
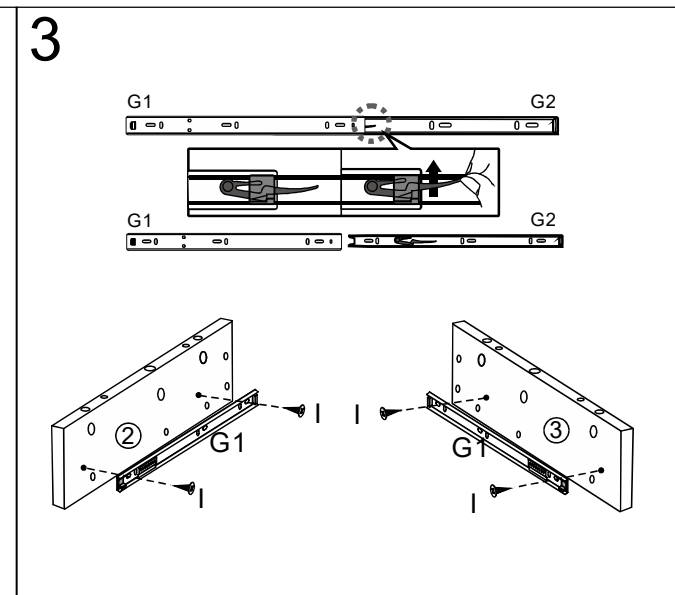
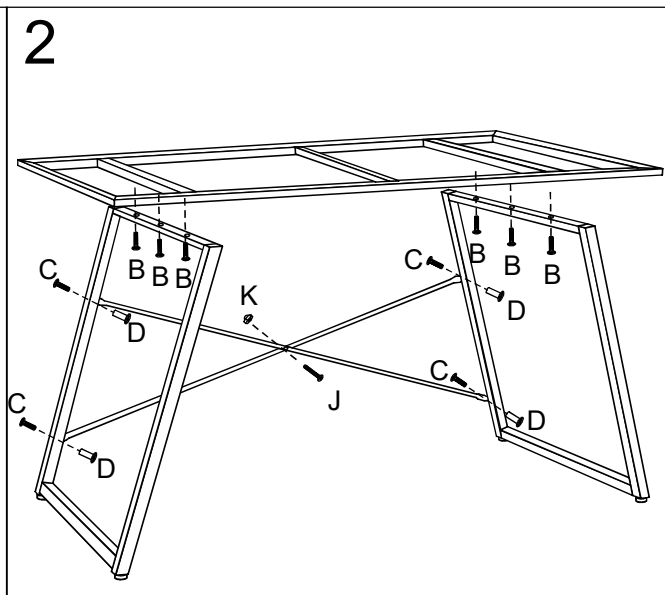
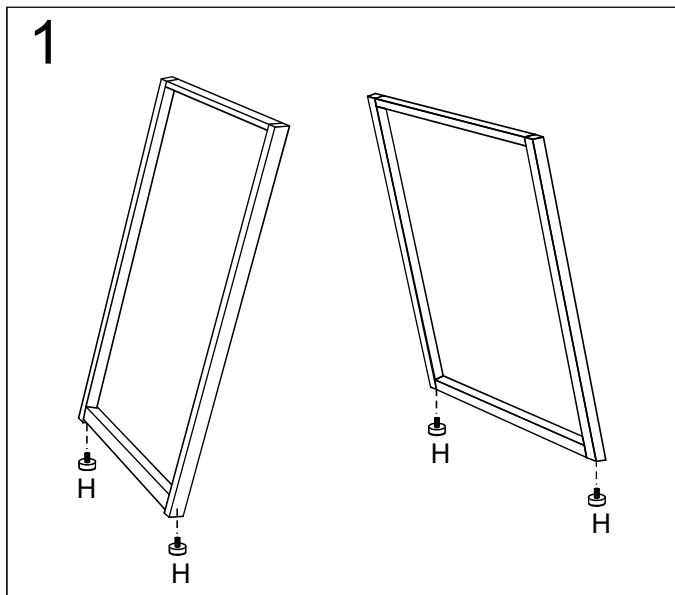
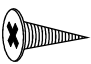


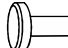


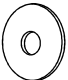



<p>A</p>  <p>23pcs</p>	<p>B</p>  <p>M6X25mm 6pcs</p>	<p>C</p>  <p>M6X20mm 4pcs</p>	<p>D</p>  <p>M6 4pcs</p>	<p>E</p>  <p>8X30mm 6pcs</p>	<p>F</p>  <p>ST5X50mm 19pcs</p>	<p>G</p>  <p>G2 G1</p> <p>4pcs</p>	<p>H</p>  <p>M8x20x10 4pcs</p>
--	---	---	---	--	---	--	--



<p>I</p>  <p>ST3.5X12mm 16pcs</p>	<p>J</p>  <p>M4X25mm 1pc</p>	<p>K</p>  <p>M4mm 1pc</p>	<p>L</p>  <p>4pcs</p>	<p>M</p>  <p>2pcs</p>	<p>N</p>  <p>M4X8mm 4pcs</p>	<p>O</p>  <p>4pcs</p>	<p>P</p>  <p>23pcs</p>
---	--	---	--	---	--	---	--

