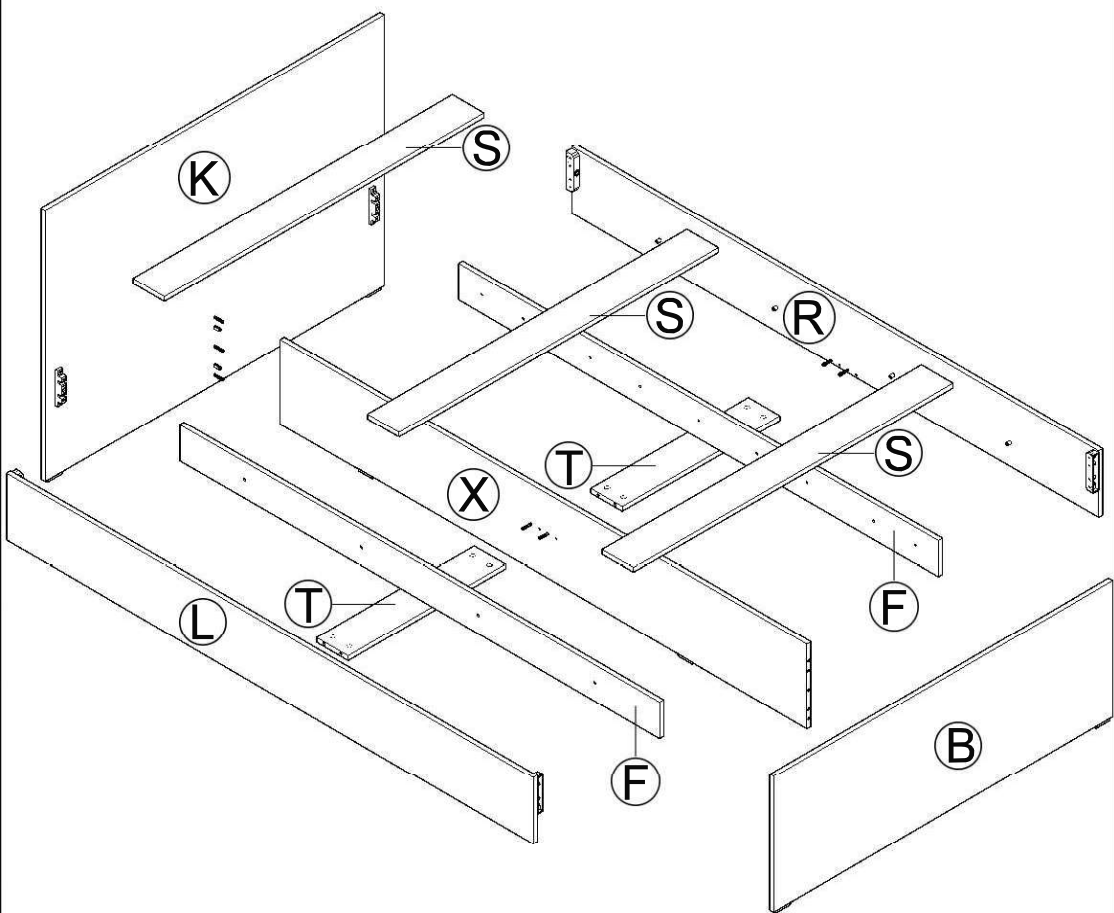
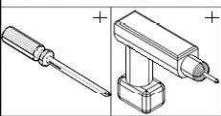
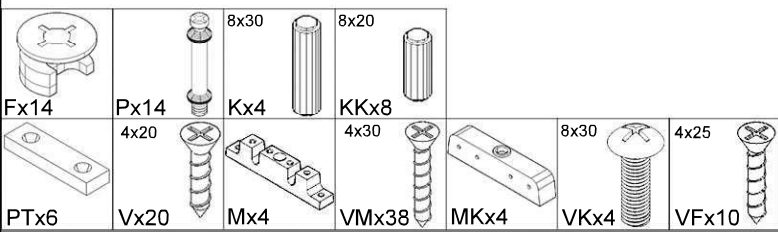


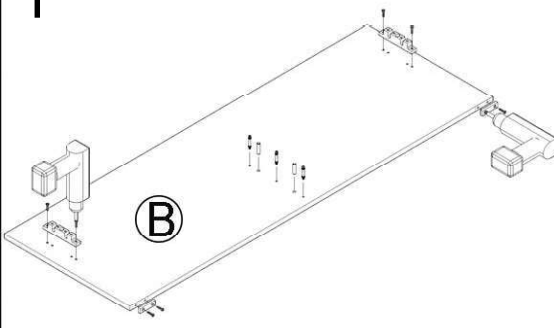
USING TOOLS



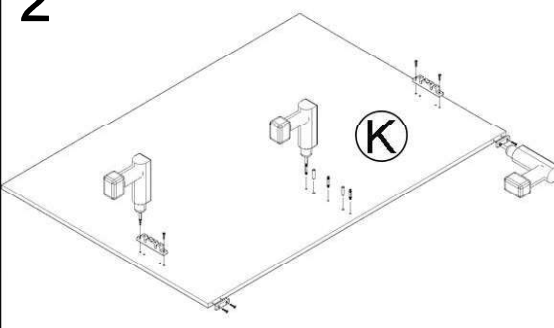
USING HARDWARE



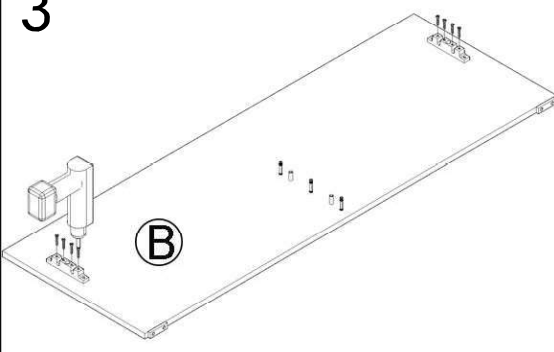
1



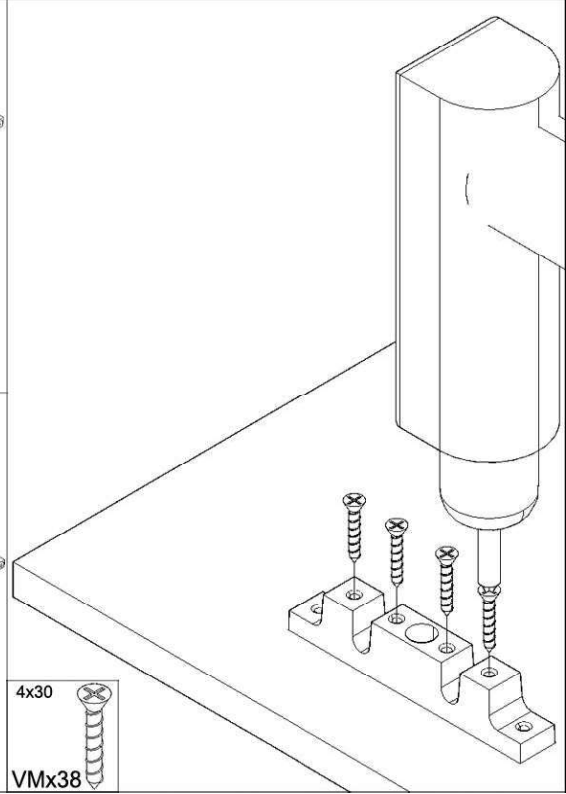
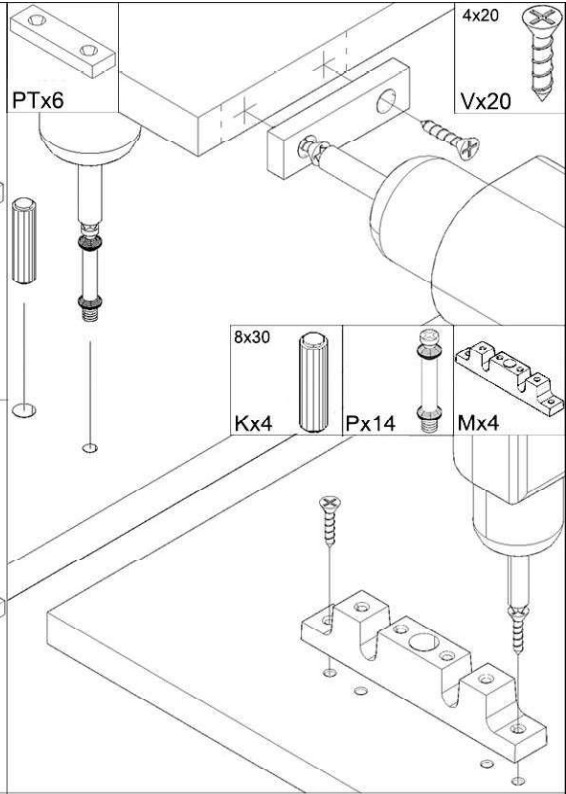
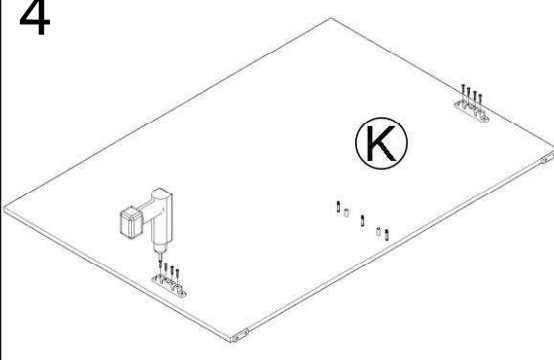
2

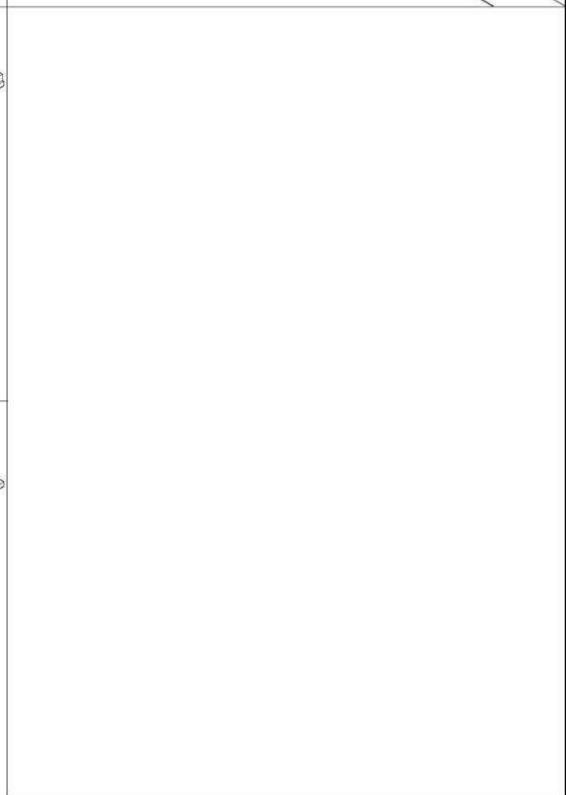
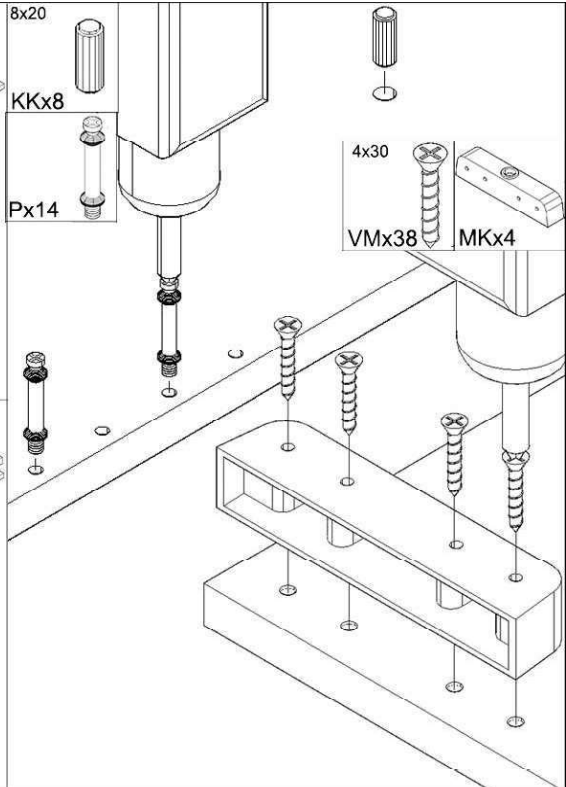
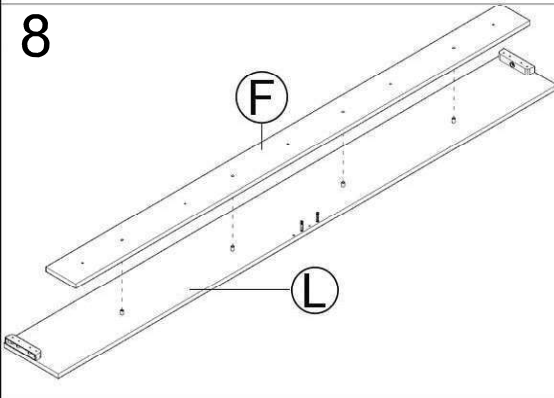
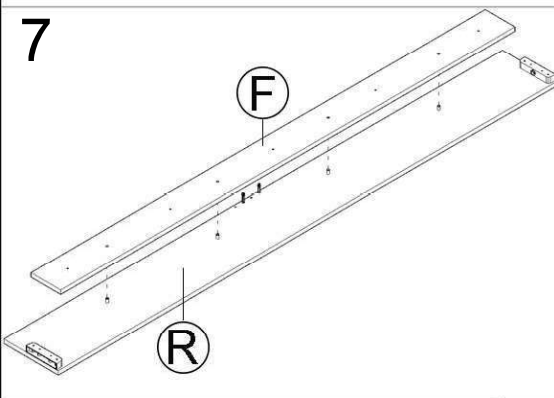
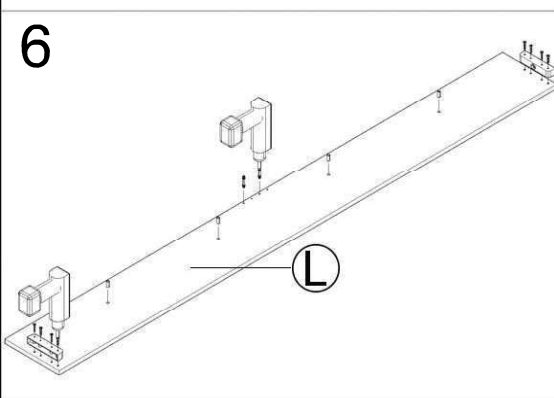
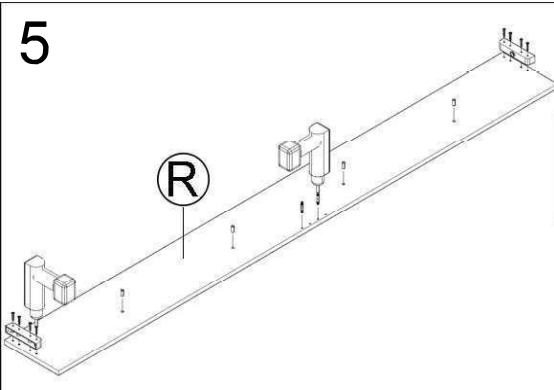


3



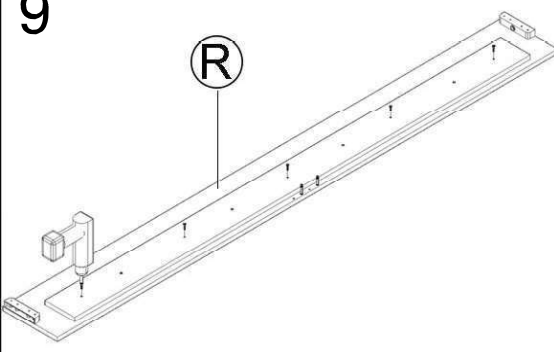
4



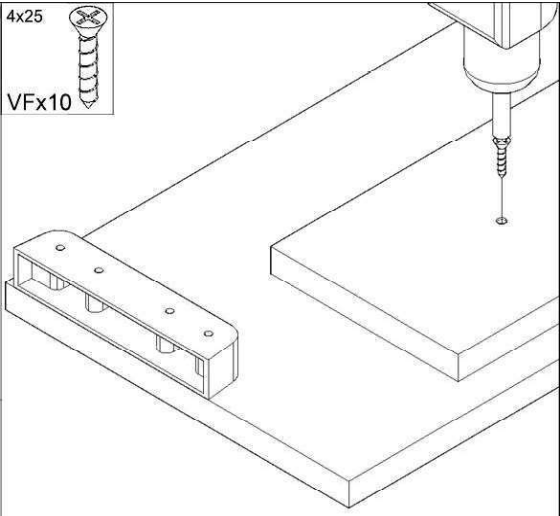


9

(R)

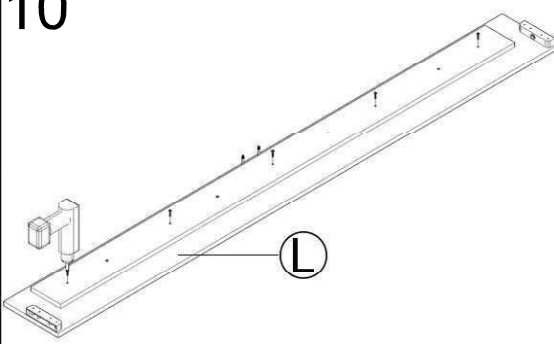


4x25
VFx10



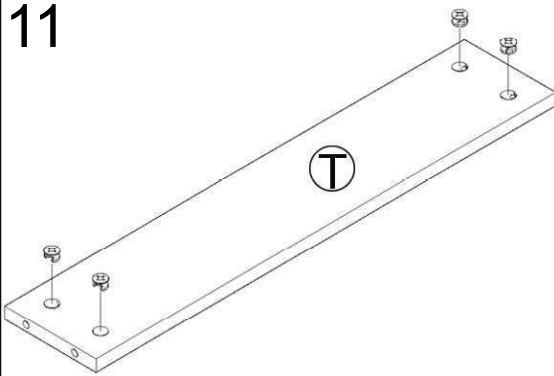
10

(L)

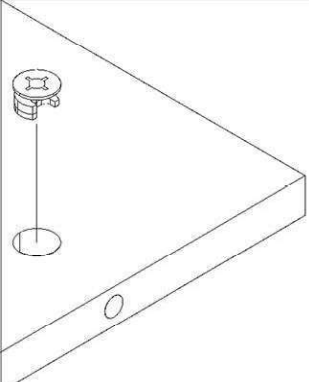


11

(T)



Fx14



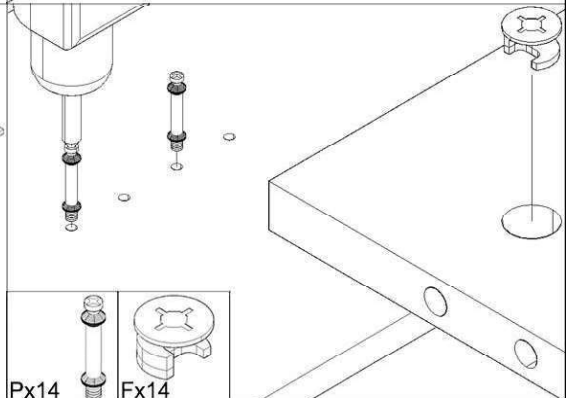
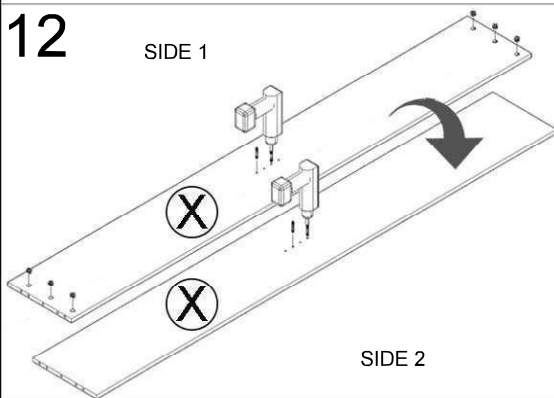
12

SIDE 1

SIDE 2

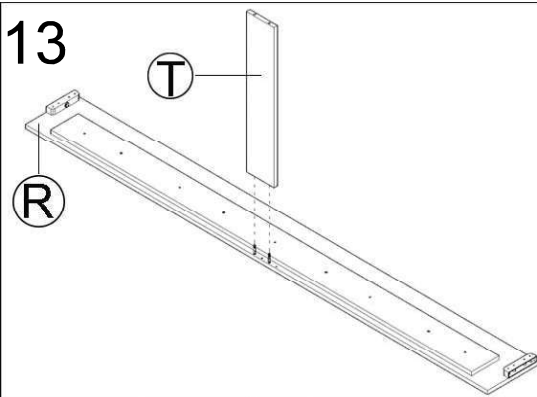
(X)

(X)

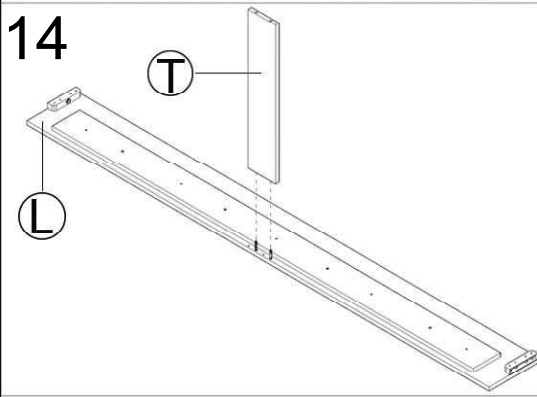


Px14 Fx14

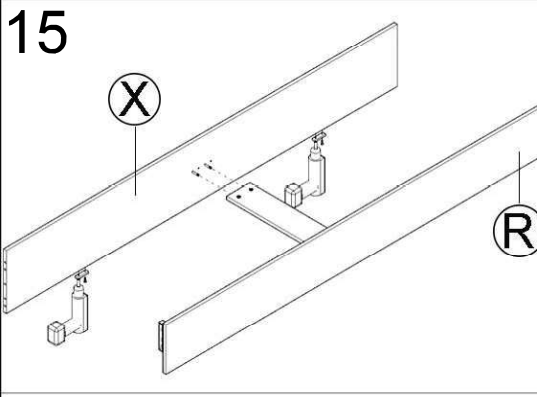
13



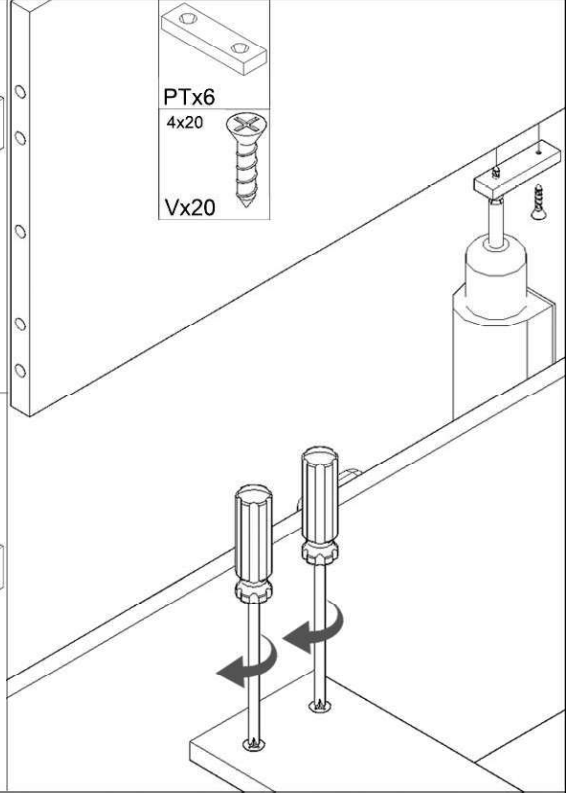
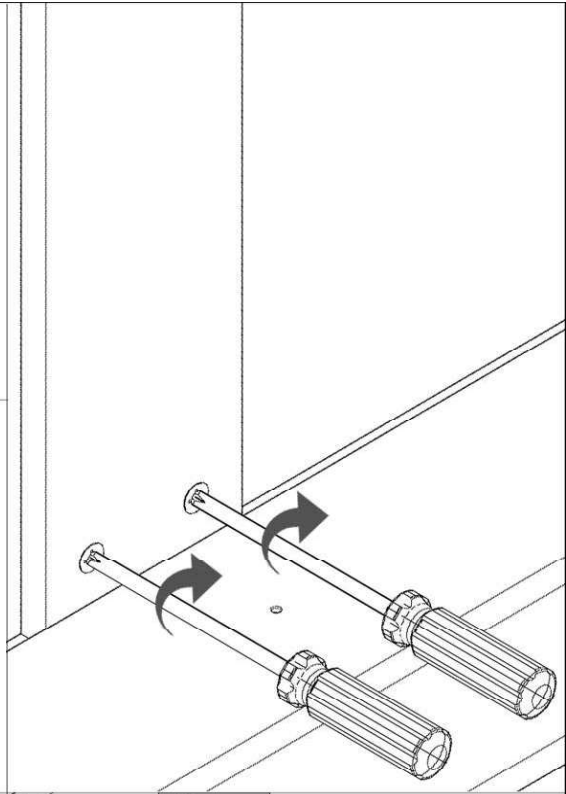
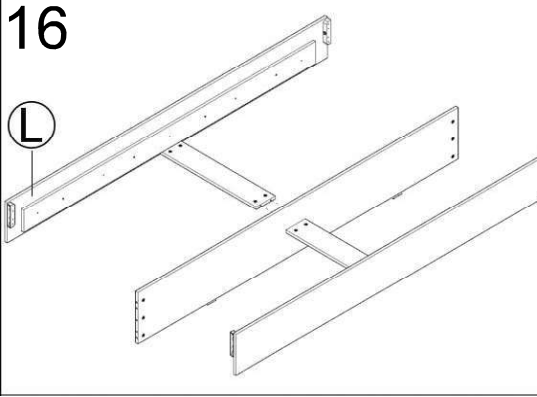
14



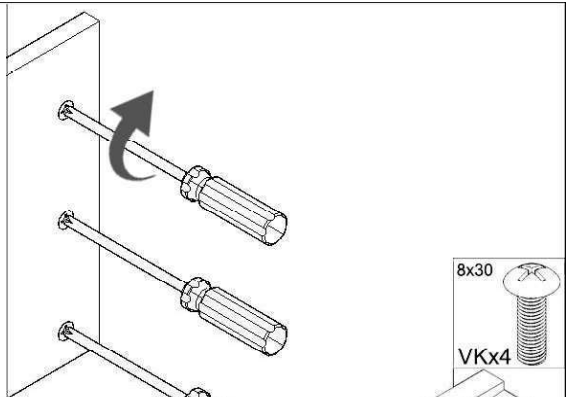
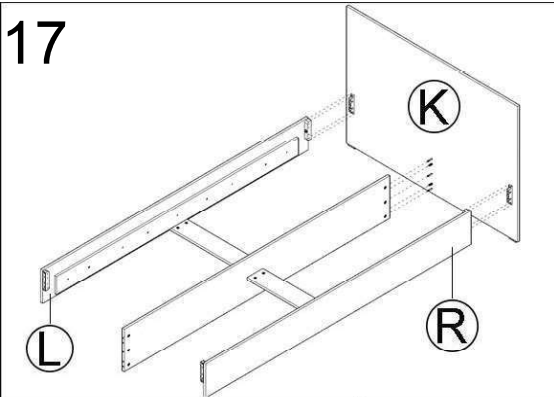
15



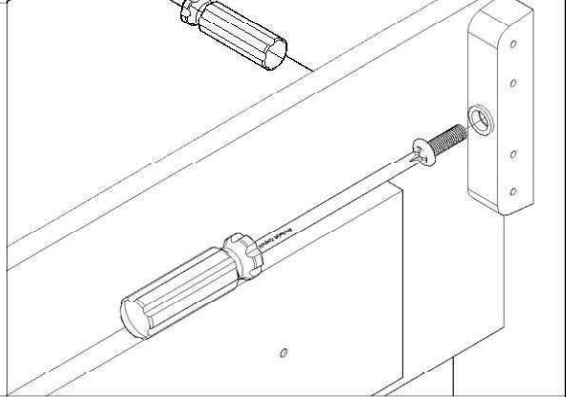
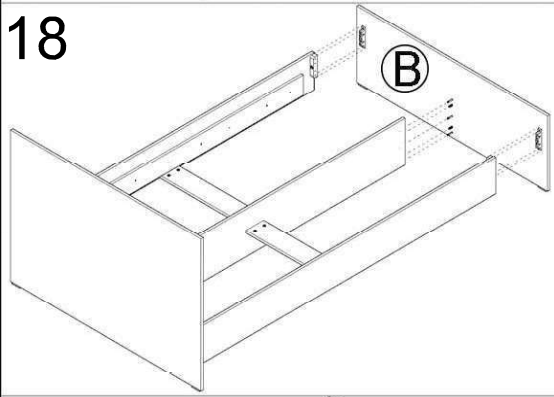
16



17



18



19

